



US00D957924S

(12) **United States Design Patent**
Hofer

(10) **Patent No.:** **US D957,924 S**

(45) **Date of Patent:** **** Jul. 19, 2022**

(54) **WALL BRACKET**

(71) Applicant: **James Hofer**, Mitchell, SD (US)

(72) Inventor: **James Hofer**, Mitchell, SD (US)

(**) Term: **15 Years**

(21) Appl. No.: **29/804,789**

(22) Filed: **Aug. 23, 2021**

Related U.S. Application Data

(63) Continuation-in-part of application No. 17/326,217, filed on May 20, 2021.

(51) **LOC (13) Cl.** **08-05**

(52) **U.S. Cl.**
USPC **D8/380**

(58) **Field of Classification Search**
USPC D8/380, 349, 354, 373, 371, 382, 394;
D6/567, 512, 553, 574, 672, 675, 682,
D6/682.1, 683, 518-522, 566, 513
CPC .. B65D 25/22; B65D 5/4208; B65D 83/0894;
A47G 29/08
See application file for complete search history.

(56) **References Cited**

U.S. PATENT DOCUMENTS

- 2,263,956 A * 11/1941 Russell B60R 7/084
248/311.2
- 2,325,712 A * 8/1943 Shurmur A47J 47/16
248/313
- 2,678,184 A * 5/1954 Erdody A47J 47/16
248/311.2
- 2,986,366 A * 5/1961 Wesson H04N 5/64
248/285.1
- 2,991,036 A * 7/1961 Morgan A47G 1/17
248/206.5
- 2,992,805 A * 7/1961 Weldon A45D 27/29
248/314
- D267,699 S * 1/1983 Prawl D8/354

- 4,444,358 A * 4/1984 Spohn B60S 1/50
215/309
- D323,777 S * 2/1992 Knox, III 248/237
- 6,641,100 B2 11/2003 Furukawa
- 6,769,659 B1 * 8/2004 Martello B60N 3/103
248/154
- D631,735 S * 2/2011 Johnson D8/380
- D755,615 S * 5/2016 Kuehn D8/373
- D853,749 S * 7/2019 Kostjal D6/567

OTHER PUBLICATIONS

- Bracket1, Quick Plate, quickplate.com, 2016.
- Oe veo, Universal PC Mount 125, oeveo.com, Mar. 25, 2020.
- HRPRACING, Towel Box Rack White, hrpracing.com, Date published unknown.
- Pitpal, Pop Up Towel Holder, pitpal.com, Date published unknown.

* cited by examiner

Primary Examiner — Keli L Hill
Assistant Examiner — Harold E Blackwell, II

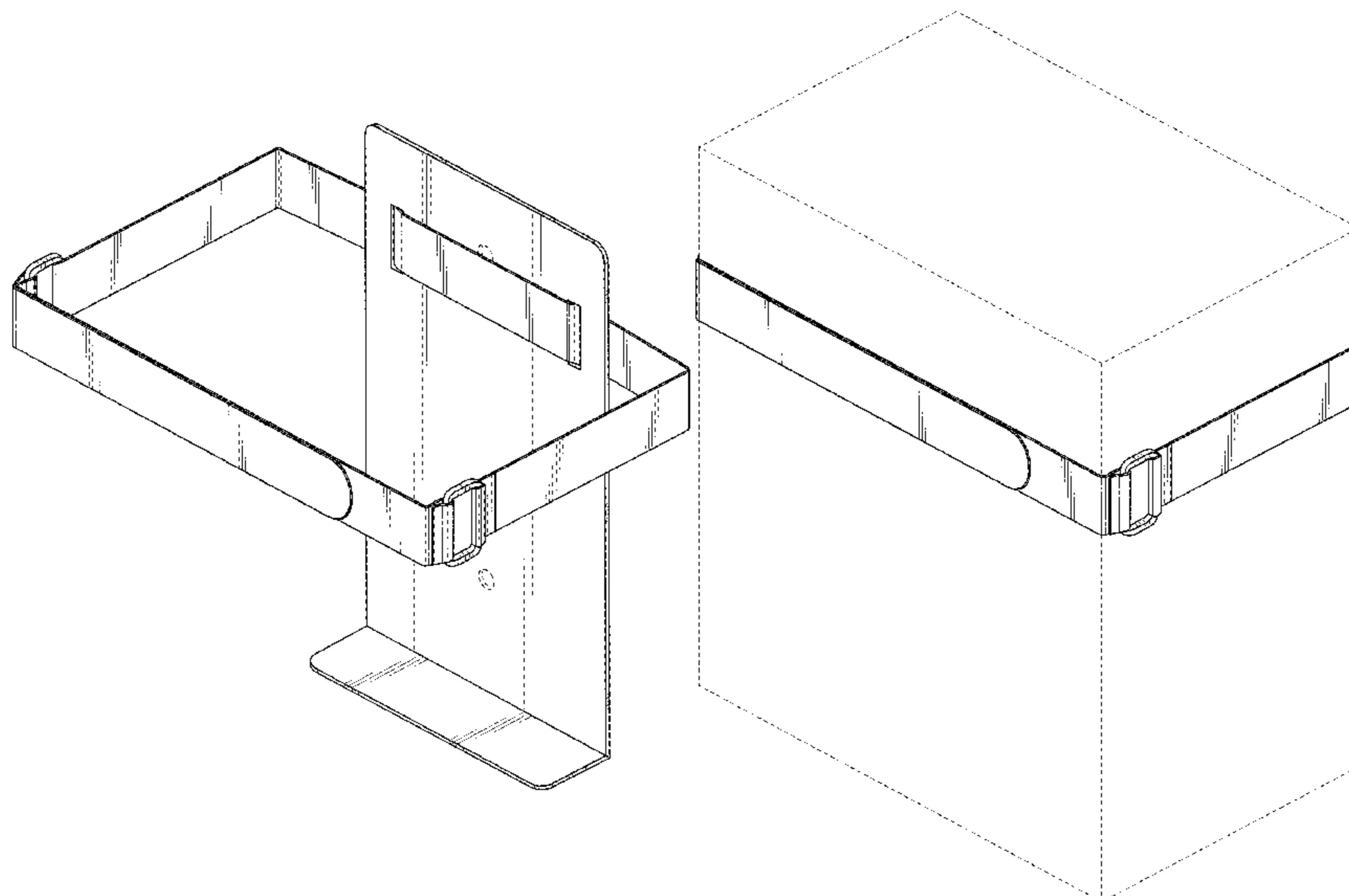
(57) **CLAIM**

The ornamental design for a wall bracket, as shown and described.

DESCRIPTION

FIG. 1 is a front-top perspective view of a wall bracket showing my new design;
 FIG. 2 is a rear-bottom perspective view thereof;
 FIG. 3 is a front elevational view thereof;
 FIG. 4 is a rear elevational view thereof;
 FIG. 5 is a left elevational view thereof;
 FIG. 6 is a right elevational view thereof;
 FIG. 7 is a top plan view thereof;
 FIG. 8 is a bottom plan view thereof; and,
 FIG. 9 is a supplemental view of a box of rags installed along the wall bracket.
 The broken lines in the drawings illustrate portions of the wall bracket which form no part of the claimed design.

1 Claim, 9 Drawing Sheets



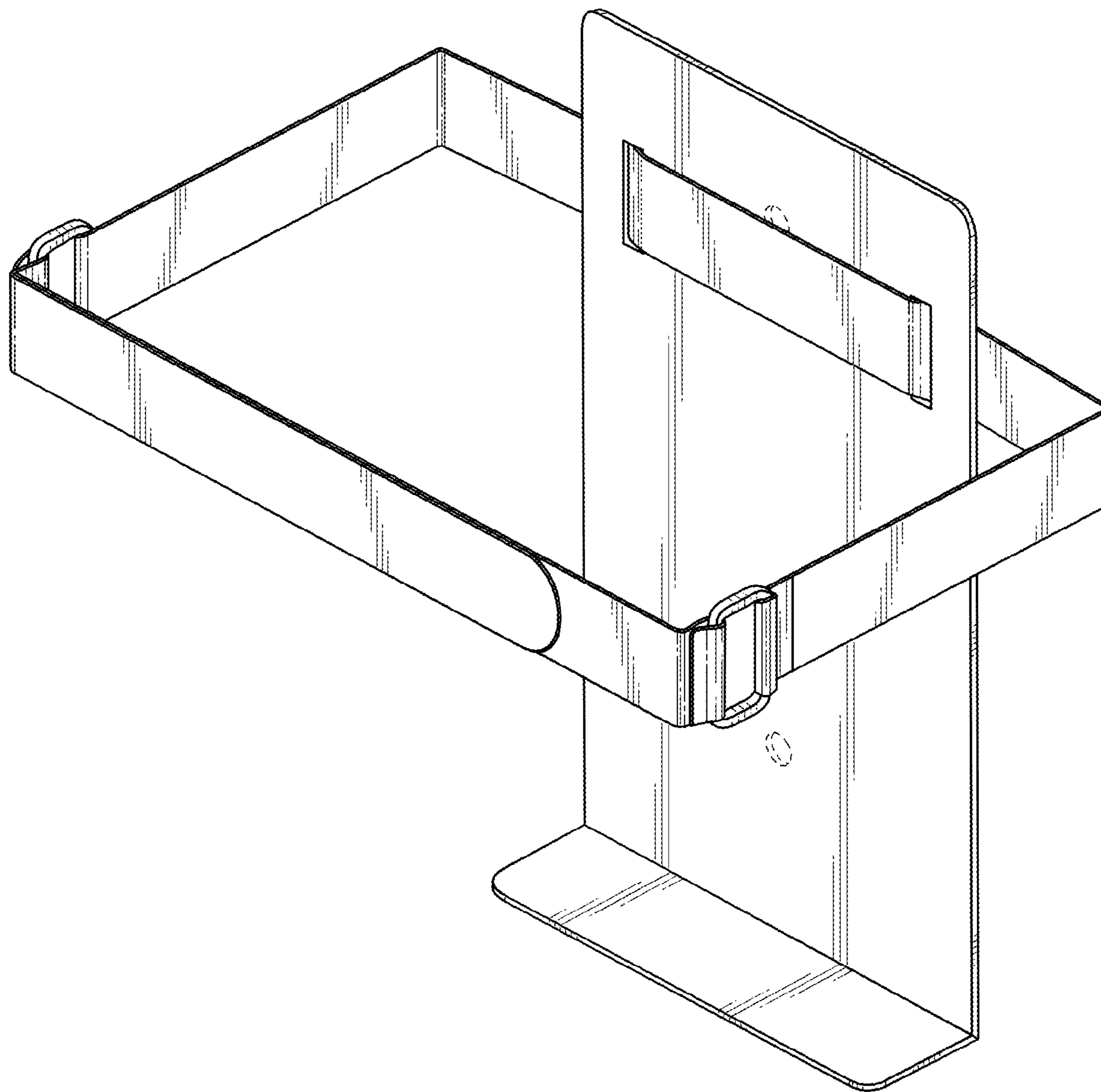


FIG. 1

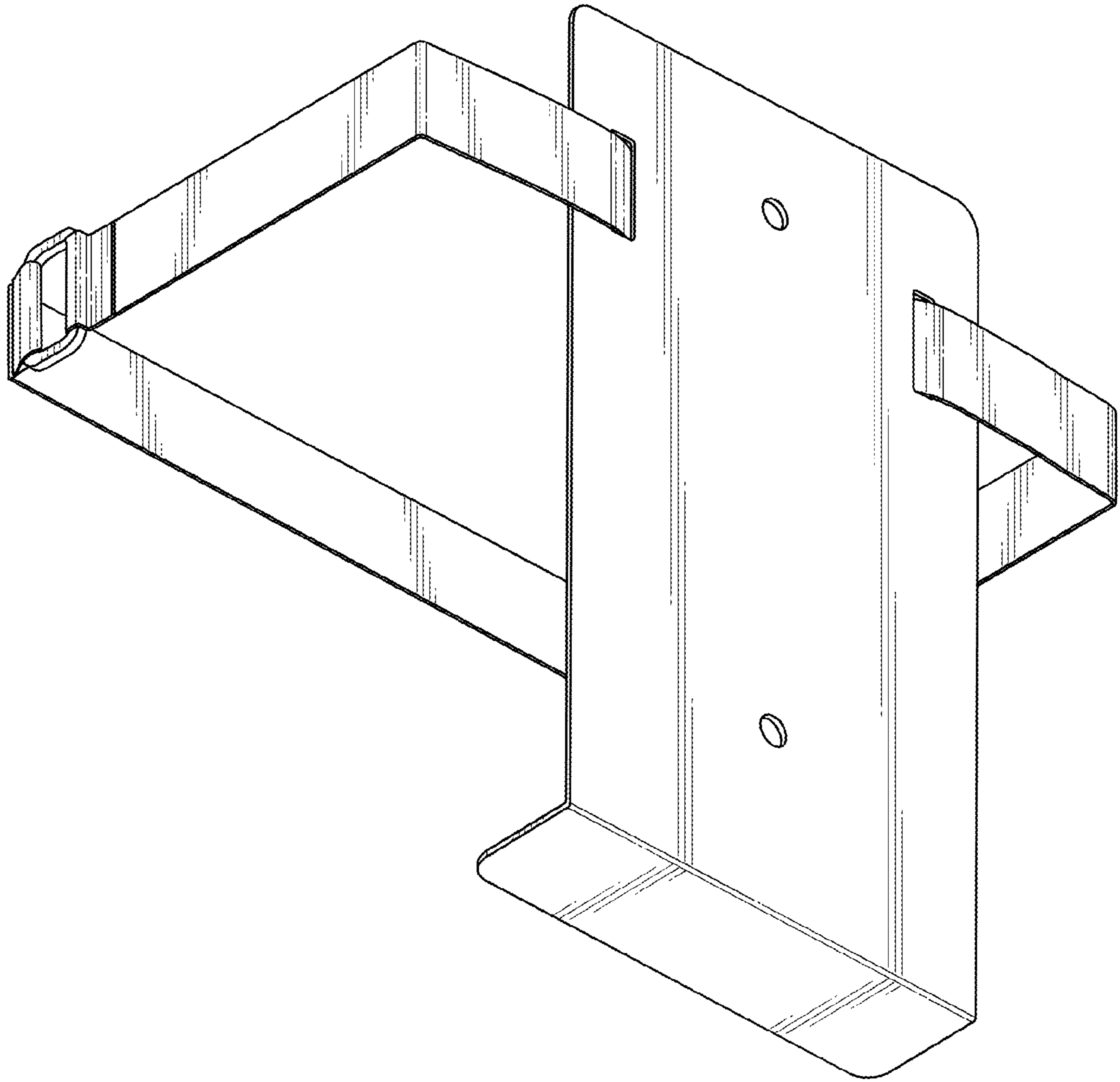


FIG. 2

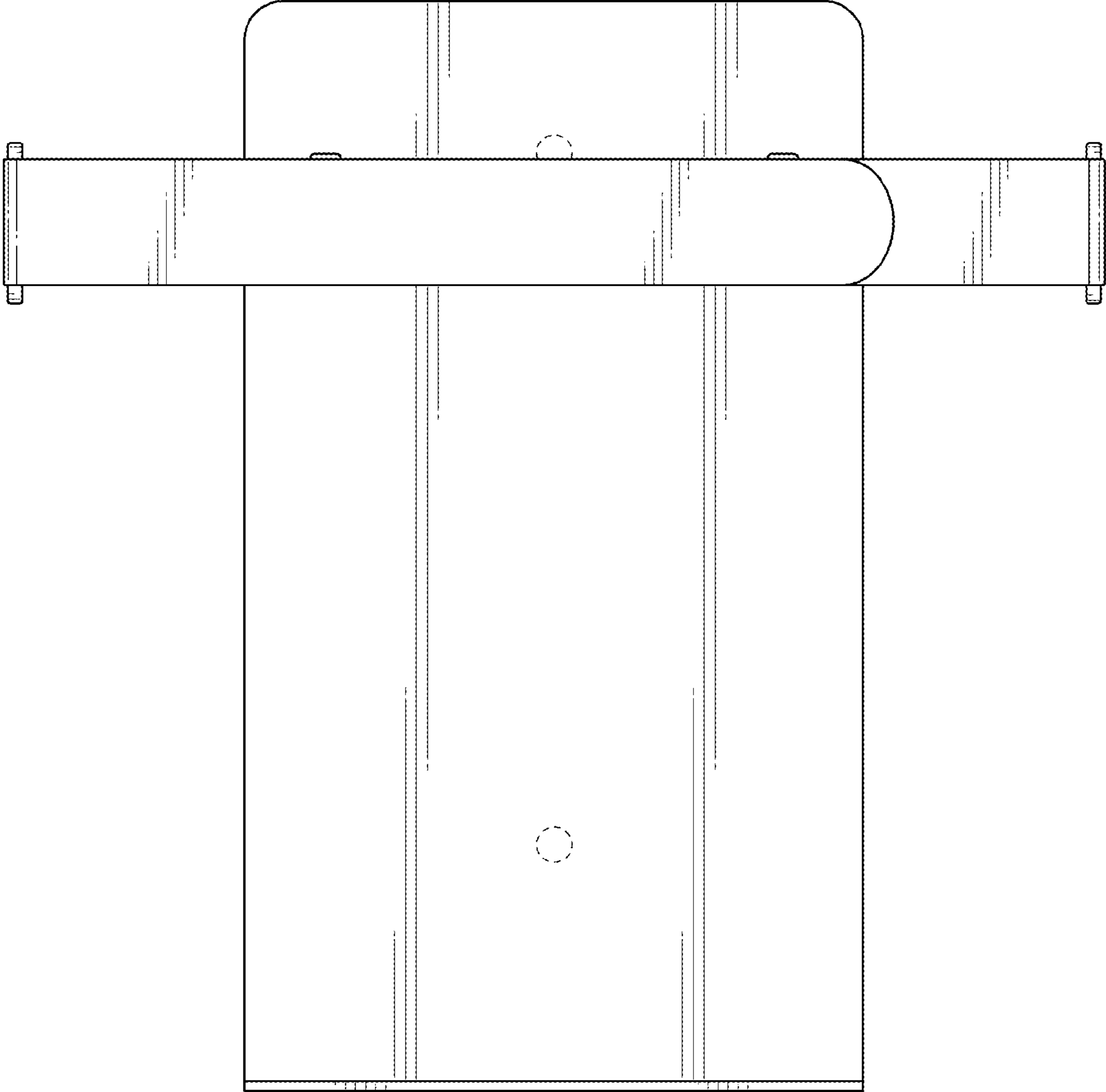


FIG. 3

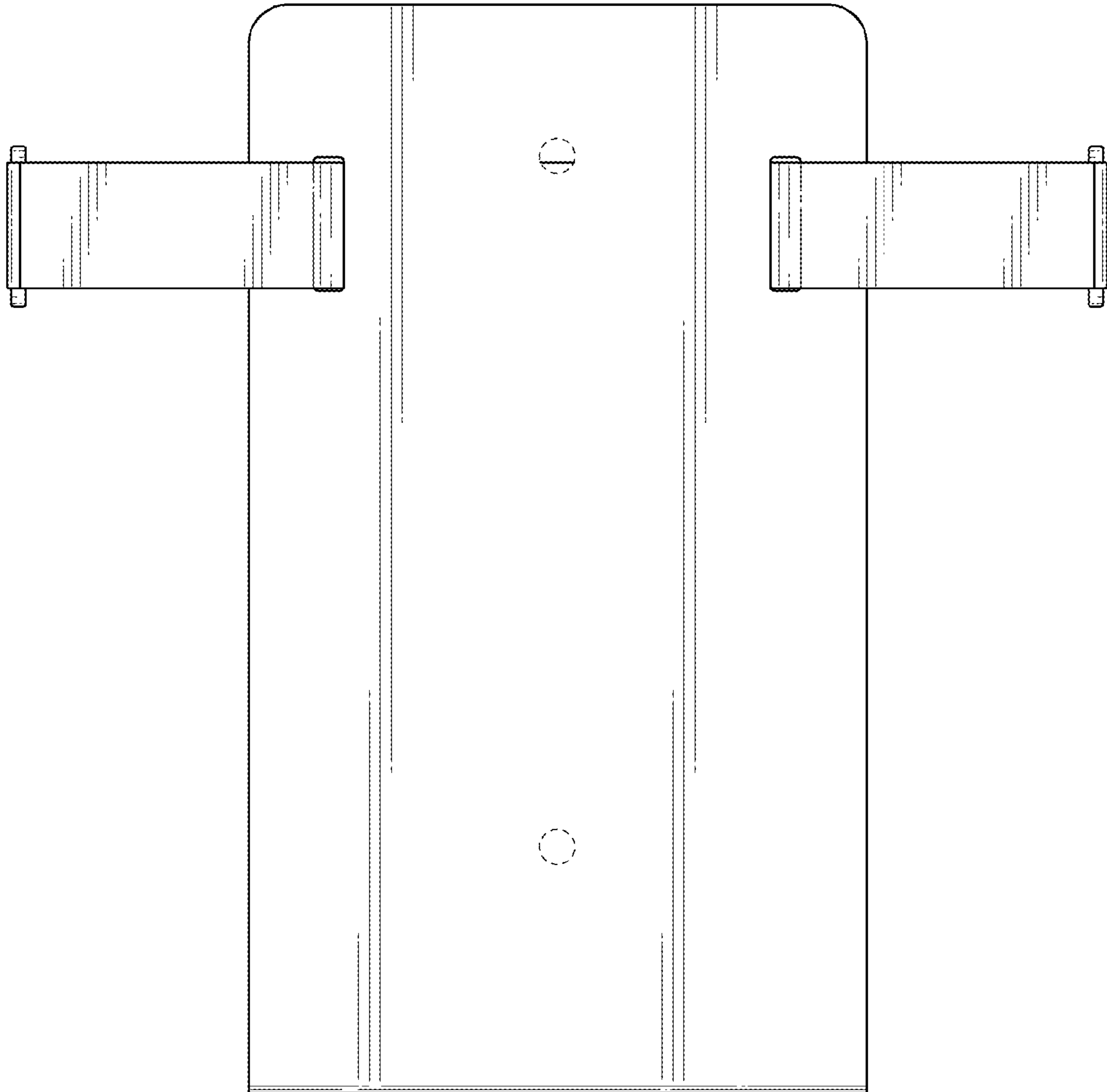


FIG. 4

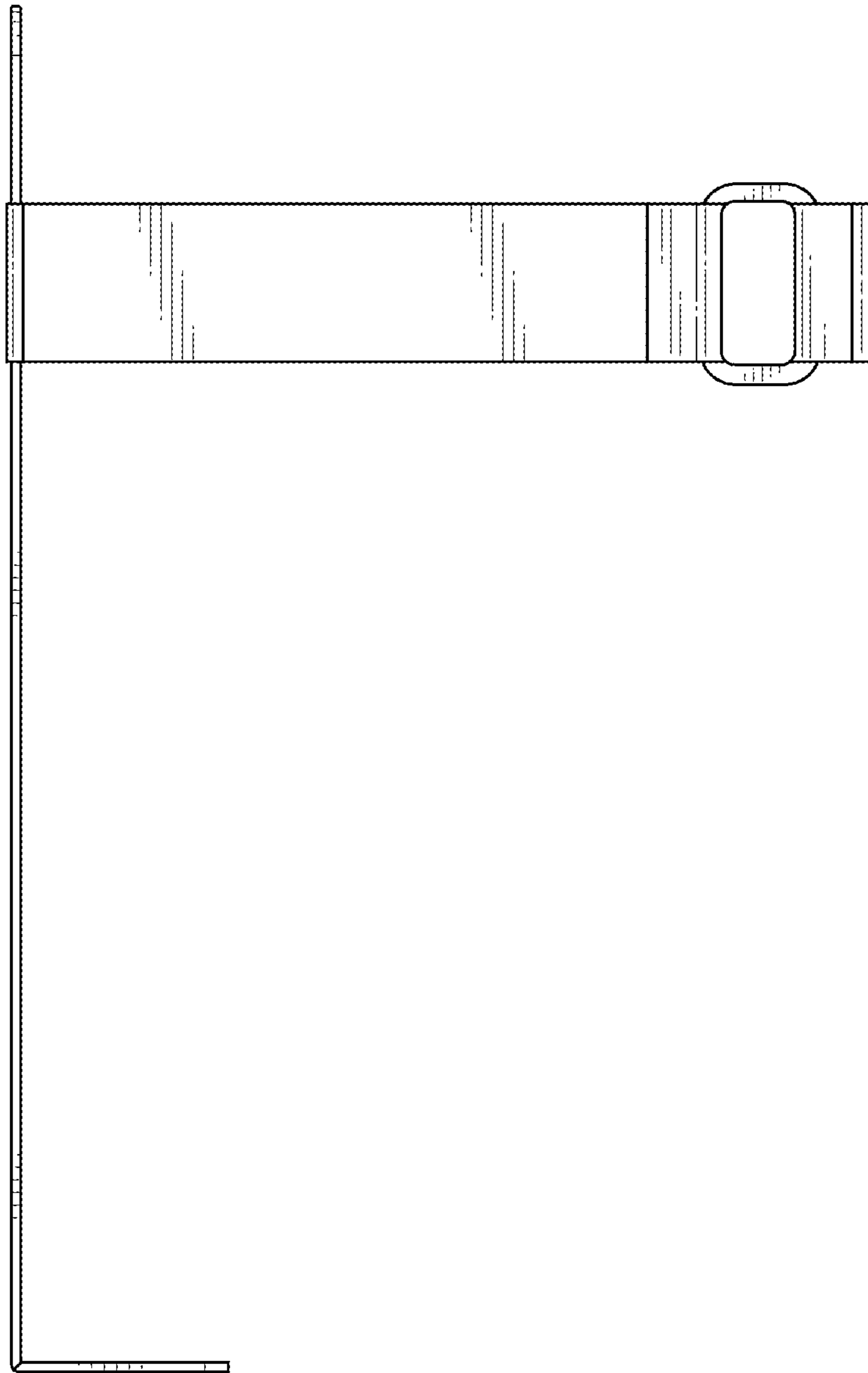


FIG. 5

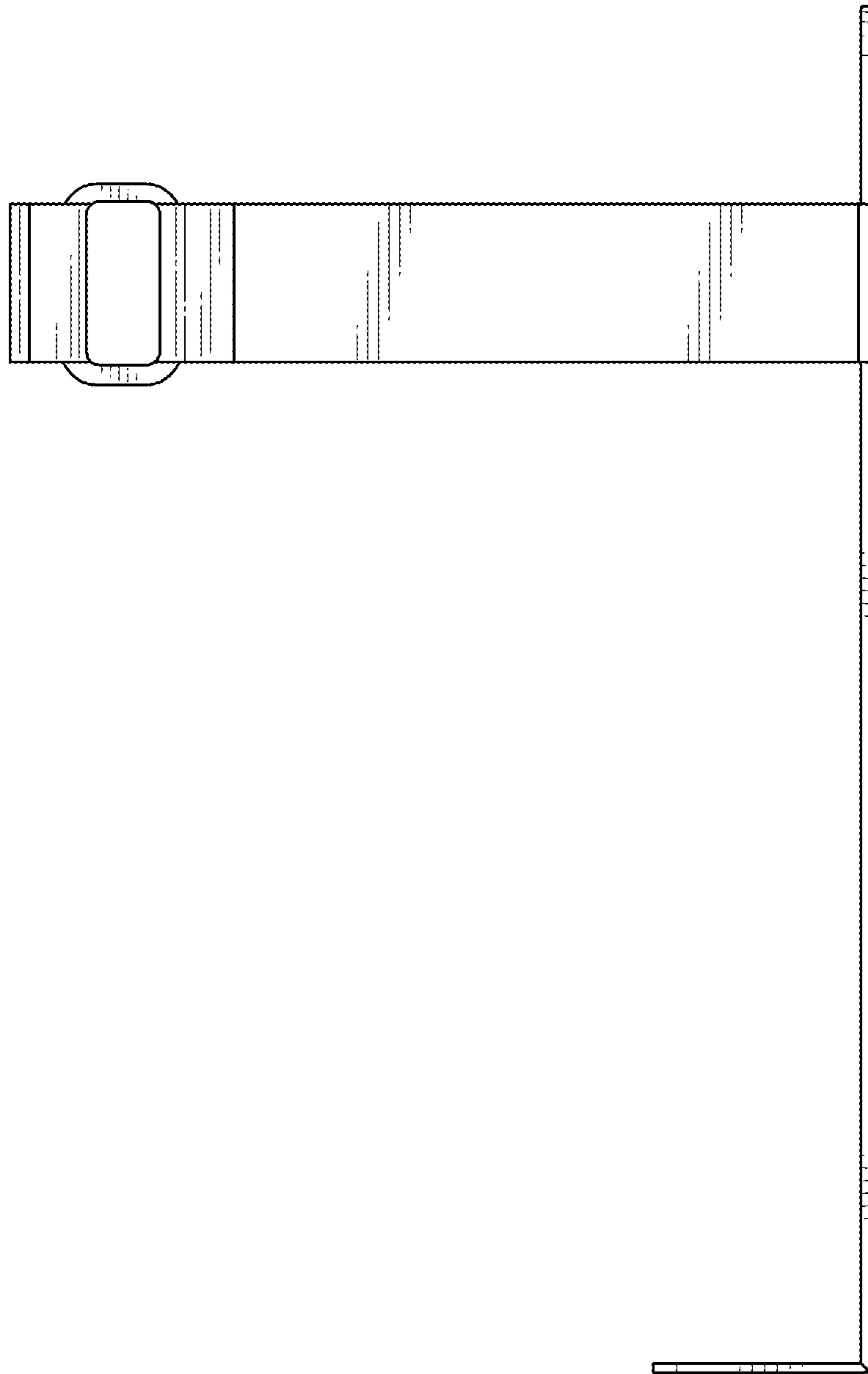


FIG. 6

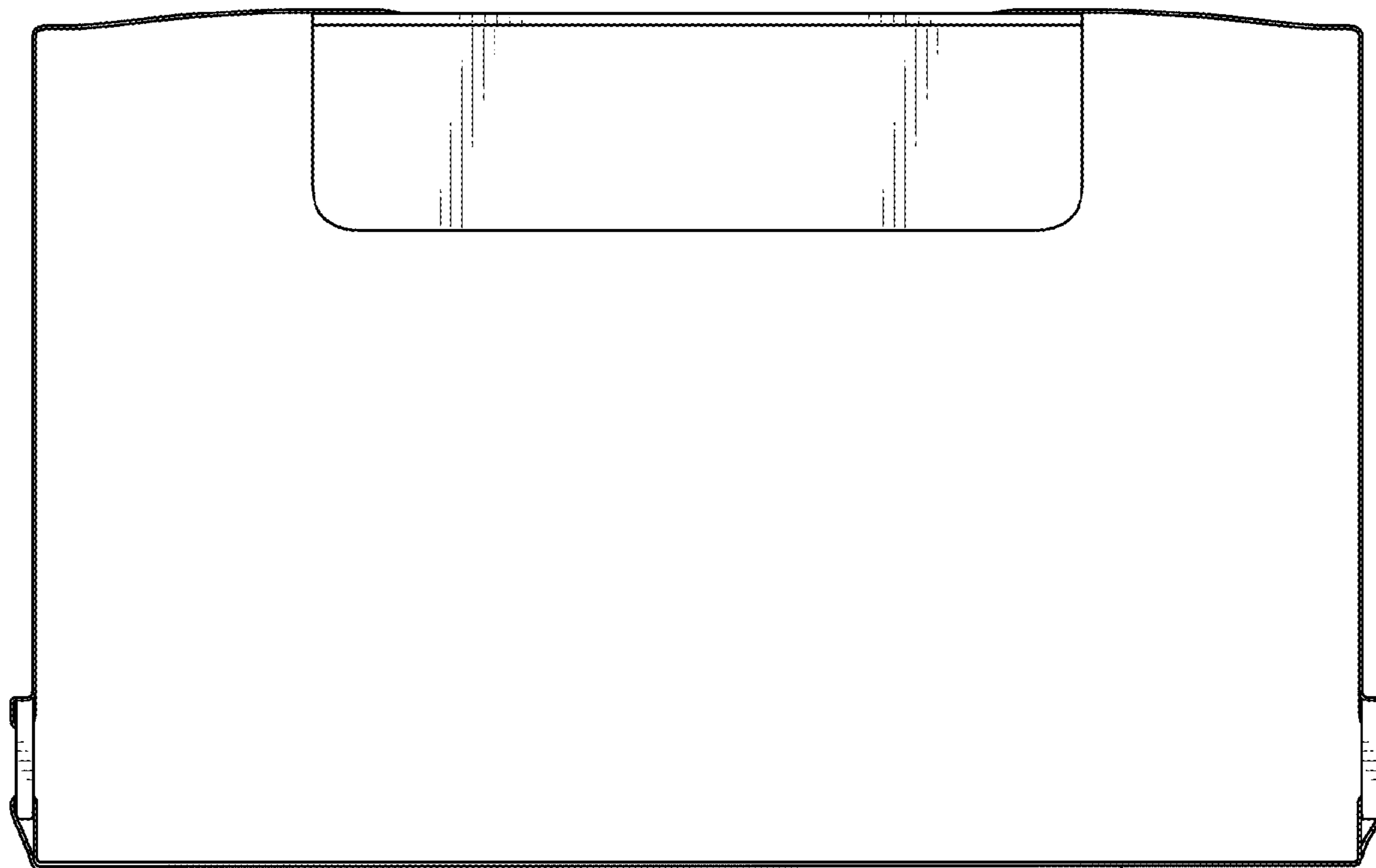


FIG. 7

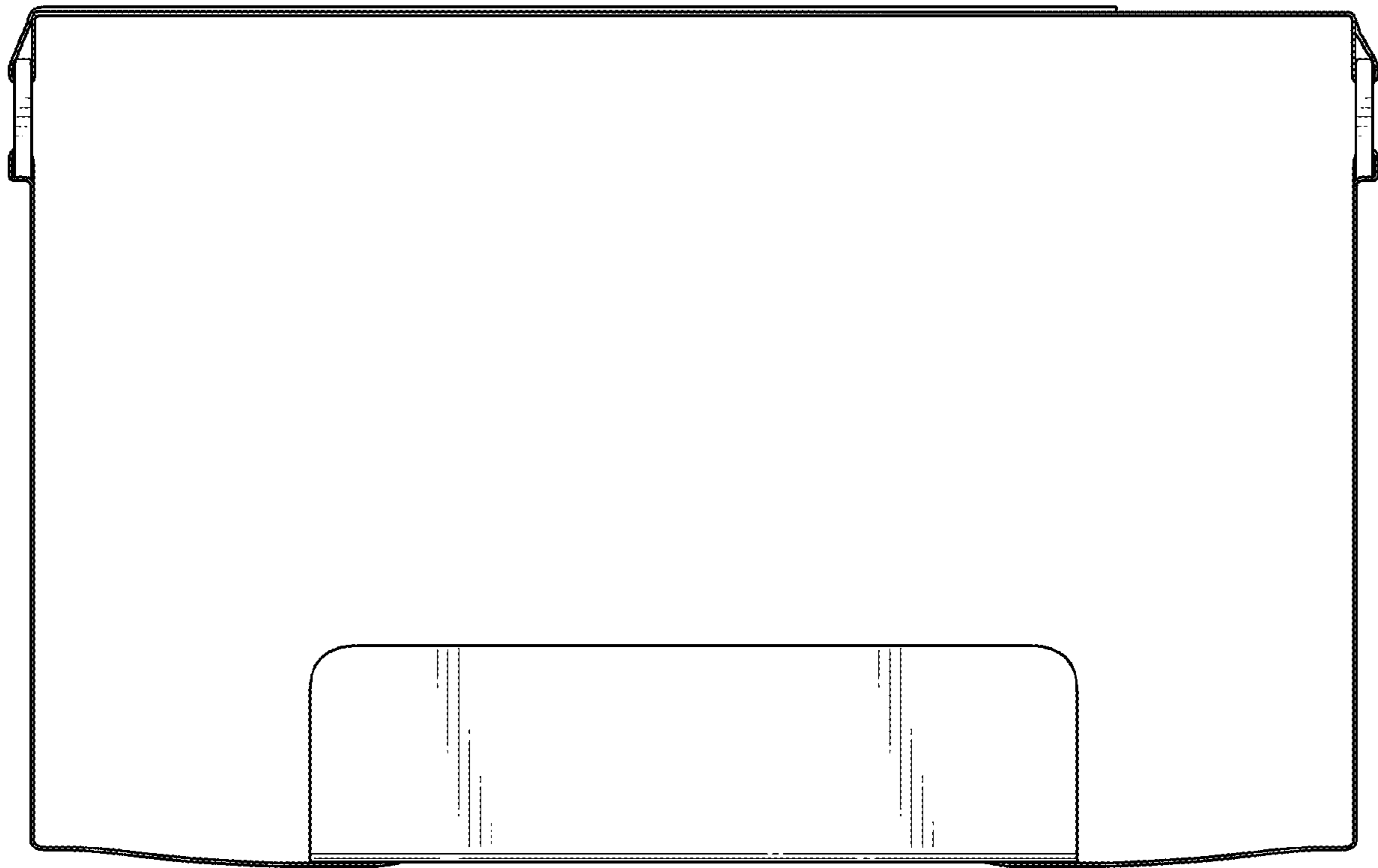


FIG. 8

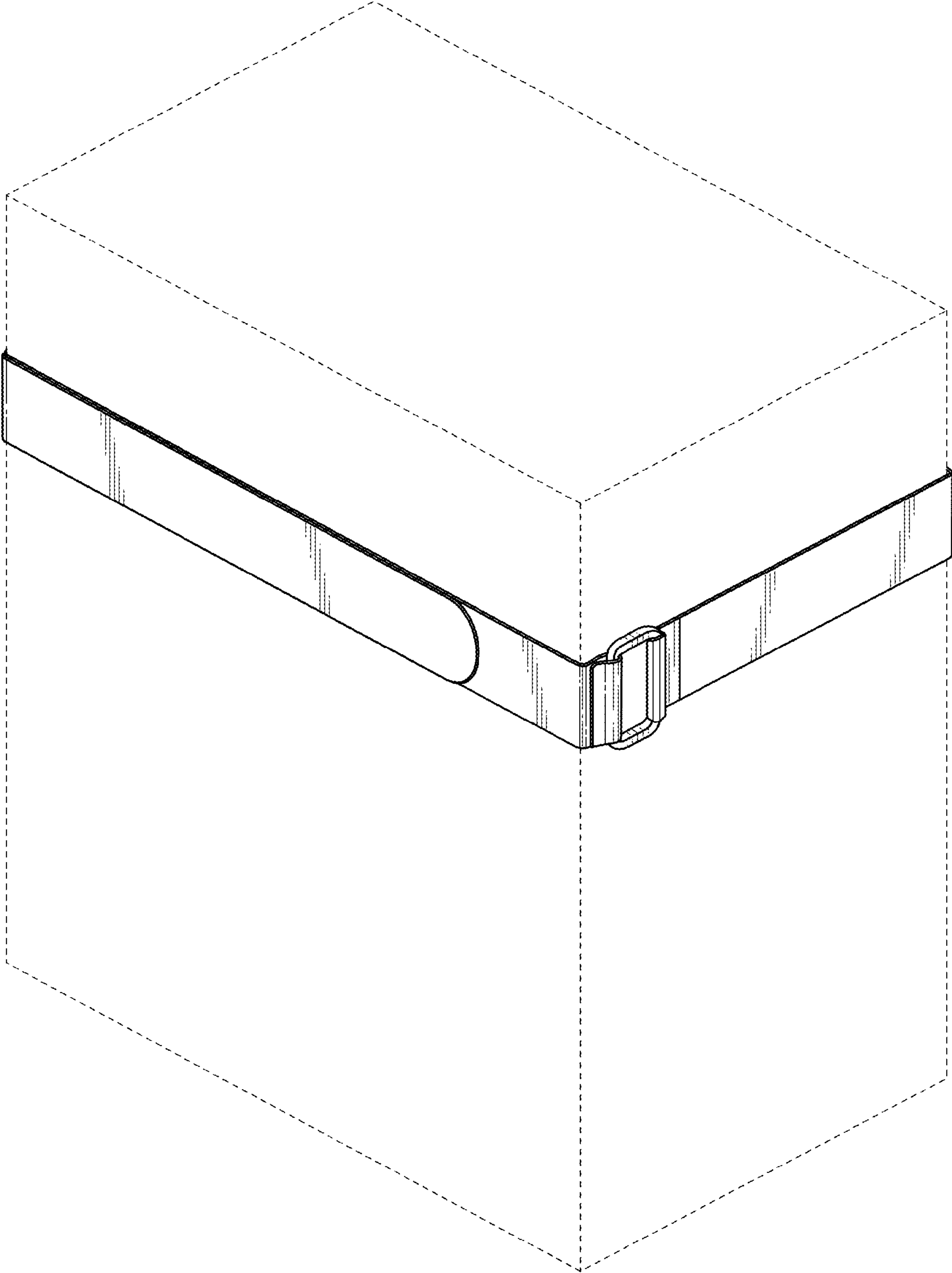


FIG. 9