



US00D957920S

(12) **United States Design Patent** (10) **Patent No.:** **US D957,920 S**
Bredl et al. (45) **Date of Patent:** **** Jul. 19, 2022**

(54) **TRIPLE HOOK** 9,433,261 B1 * 9/2016 Miles A44B 13/0029
D810,547 S 2/2018 Lynn et al.
(71) Applicant: **INTREPID INDUSTRIES INC.**, La D849,516 S * 5/2019 Johnson D8/367
Porte, TX (US) D858,261 S * 9/2019 Gong D8/367
D898,548 S * 10/2020 Elliott D8/372
(72) Inventors: **Erich E. Bredl**, Houston, TX (US); D902,019 S * 11/2020 Ryan D8/381
Paxton E. Guidroz, Pearland, TX (US); D902,020 S * 11/2020 Ryan D8/381
Lakshminarasimhan S. Muthu, D926,480 S * 8/2021 Hughes D6/315
Pearland, TX (US) D930,448 S * 9/2021 Parker D8/14
2006/0162138 A1 * 7/2006 Kimura B66C 1/36
24/599.6

(73) Assignee: **Intrepid Industries Inc.**, La Porte, TX (US)

FOREIGN PATENT DOCUMENTS

(**) Term: **15 Years**

CN 107725569 2/2018
FR 2439350 A1 5/1980

(21) Appl. No.: **29/726,810**

OTHER PUBLICATIONS

(22) Filed: **Mar. 5, 2020**

CableSafe brochure, unknown.

(51) **LOC (13) Cl.** **08-11**

* cited by examiner

(52) **U.S. Cl.**

USPC **D8/367**; D8/372

(58) **Field of Classification Search**

USPC D8/367, 354, 349, 356, 372; D12/162;
224/248, 268, 904; 248/62

CPC ... A47G 29/083; F16B 45/00; A63B 21/0557;
B60P 7/0823

See application file for complete search history.

Primary Examiner — Cynthia R Underwood

(74) *Attorney, Agent, or Firm* — Quisenberry Law PLLC

(57) **CLAIM**

The ornamental design for a triple hook, as shown and described.

(56) **References Cited**

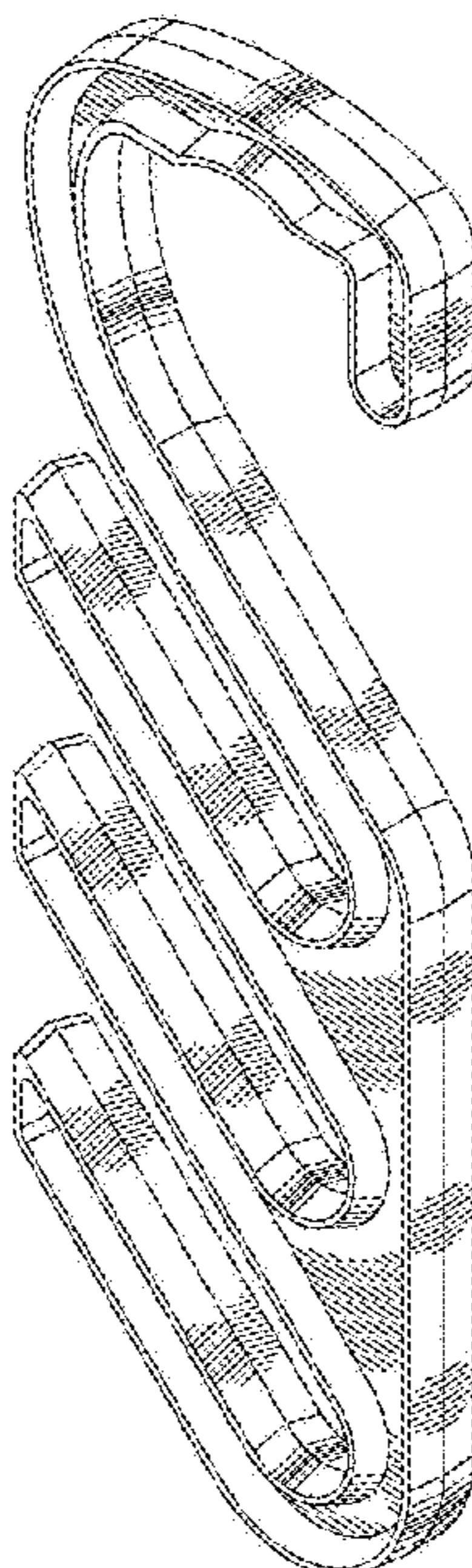
DESCRIPTION

U.S. PATENT DOCUMENTS

1,667,541 A 4/1928 Edeburn
2,018,836 A 10/1935 Clemence
2,284,197 A 5/1942 Greene
D195,299 S * 5/1963 Margulis D8/371
D613,585 S * 4/2010 Haddock D8/367
D629,679 S 12/2010 Riddell et al.
D646,151 S * 10/2011 Potts D8/367
D694,613 S * 12/2013 Miles D8/367
D708,446 S 7/2014 Goodman et al.

FIG. 1 is a front perspective view of a triple hook showing our new design;
FIG. 2 is a front elevation view thereof;
FIG. 3 is a left side elevation view thereof;
FIG. 4 is a right side elevation view thereof;
FIG. 5 is a top view thereof; and,
FIG. 6 is a bottom view thereof.

1 Claim, 2 Drawing Sheets



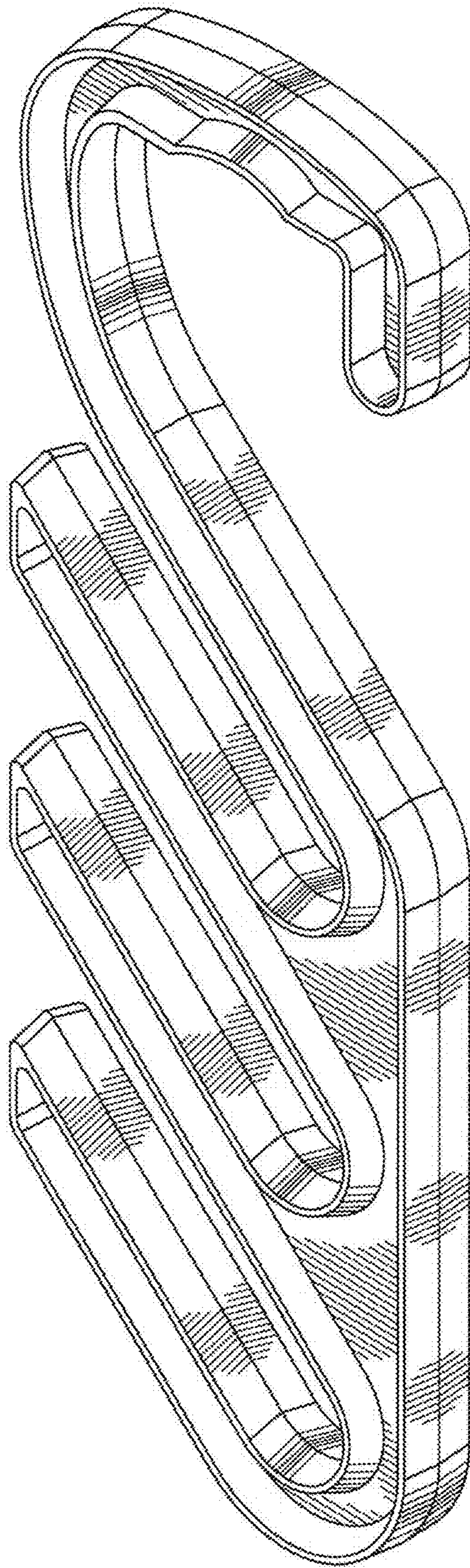


FIG. 1

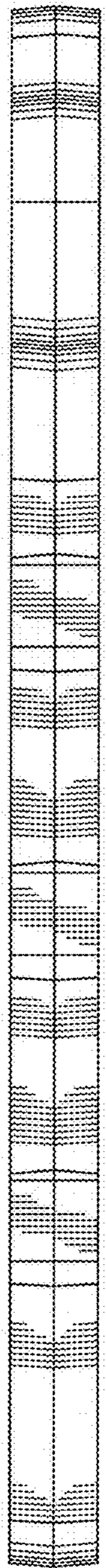


FIG. 3

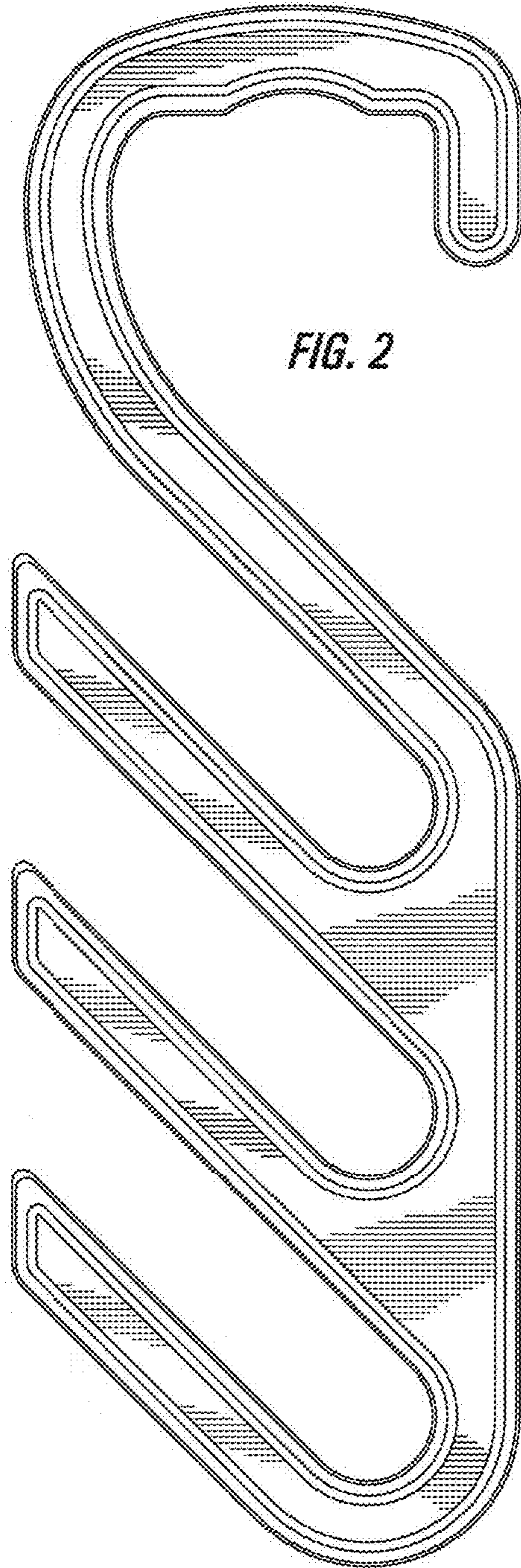


FIG. 2

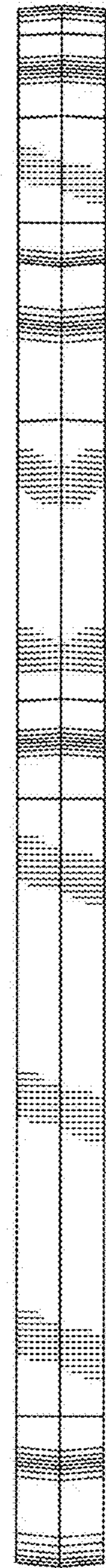


FIG. 4

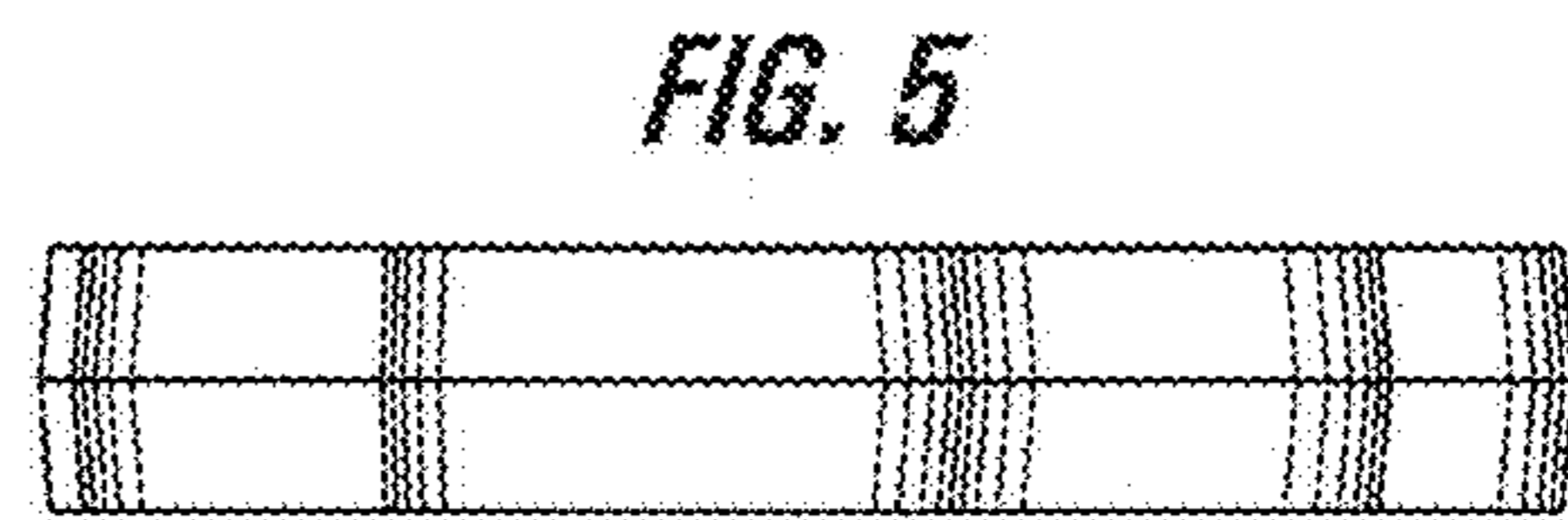


FIG. 5

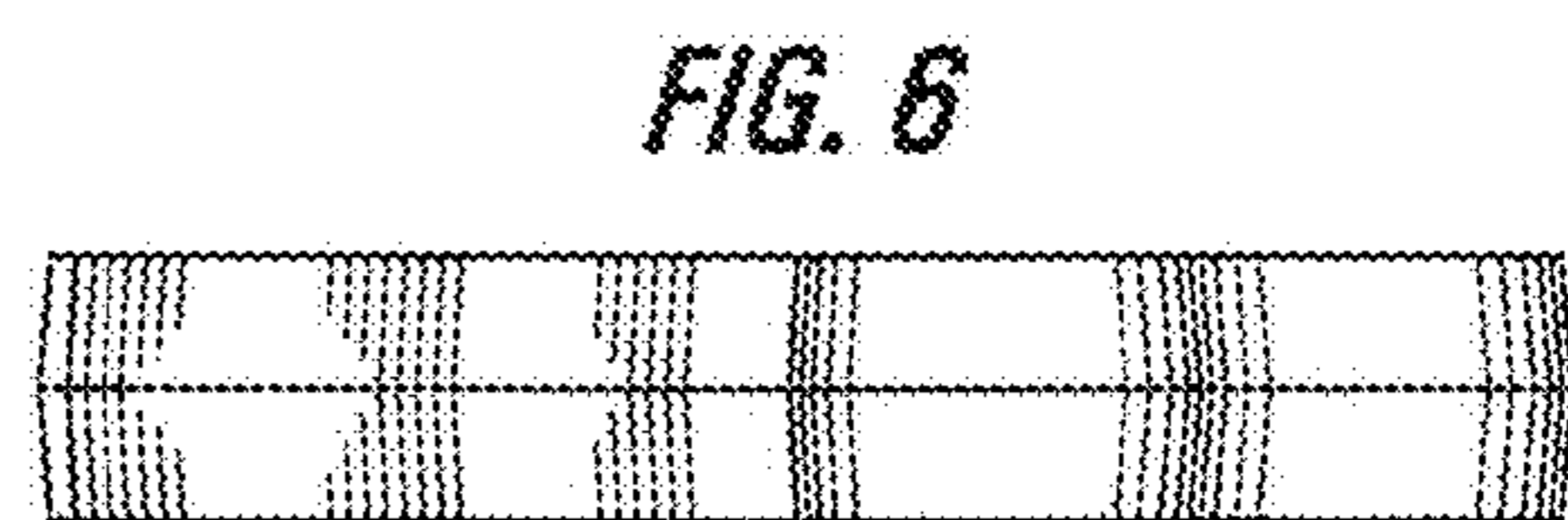


FIG. 6