



US00D957918S

(12) **United States Design Patent**
Bredl et al.

(10) **Patent No.:** **US D957,918 S**
(45) **Date of Patent:** **** Jul. 19, 2022**

- (54) **SINGLE HOOK**
- (71) Applicant: **INTREPID INDUSTRIES INC.**, La Porte, TX (US)
- (72) Inventors: **Erich E. Bredl**, Houston, TX (US);
Paxton E. Guidroz, Pearland, TX (US);
Lakshminarasimhan S. Muthu, Pearland, TX (US)
- (73) Assignee: **Intrepid Industries Inc.**, La Porte, TX (US)
- (**) Term: **15 Years**
- (21) Appl. No.: **29/726,769**
- (22) Filed: **Mar. 5, 2020**
- (51) **LOC (13) Cl.** **08-11**
- (52) **U.S. Cl.**
USPC **D8/367**
- (58) **Field of Classification Search**
USPC D8/367, 354, 349, 356, 372; D12/162;
224/248, 268, 904; 248/62
CPC ... A47G 29/083; F16B 45/00; A63B 21/0557;
B60P 7/0823
See application file for complete search history.

- D405,536 S * 2/1999 Haynes D24/214
- D422,888 S * 4/2000 Outten D8/367
- D461,009 S * 7/2002 Viner D24/214
- D493,092 S * 7/2004 Kalat D8/367
- 7,410,139 B1 * 8/2008 Rohrich F16B 2/065
248/302
- D587,470 S * 3/2009 Croisdale D6/328
- D594,738 S * 6/2009 Kelleghan D8/356
- D607,712 S * 1/2010 Kelleghan D8/356
- D613,585 S * 4/2010 Haddock D8/367
- 7,757,996 B2 * 7/2010 Jacobs H02G 3/30
248/302
- D629,679 S 12/2010 Riddell et al.
- D631,332 S * 1/2011 Bauer D8/367
- D631,333 S * 1/2011 Bauer D8/367
- D632,952 S * 2/2011 Dablemont D8/367
- D646,151 S * 10/2011 Potts D8/367
- D646,556 S * 10/2011 Kelleghan D8/356
- D668,938 S * 10/2012 Morales D8/367
- D669,764 S * 10/2012 Kelleghan D8/356

(Continued)

FOREIGN PATENT DOCUMENTS

- CN 107725569 2/2018
- FR 2439350 A1 5/1980

Primary Examiner — Cynthia R Underwood
(74) *Attorney, Agent, or Firm* — Quisenberry Law PLLC

(57) **CLAIM**

The ornamental design for a single hook, as shown and described.

DESCRIPTION

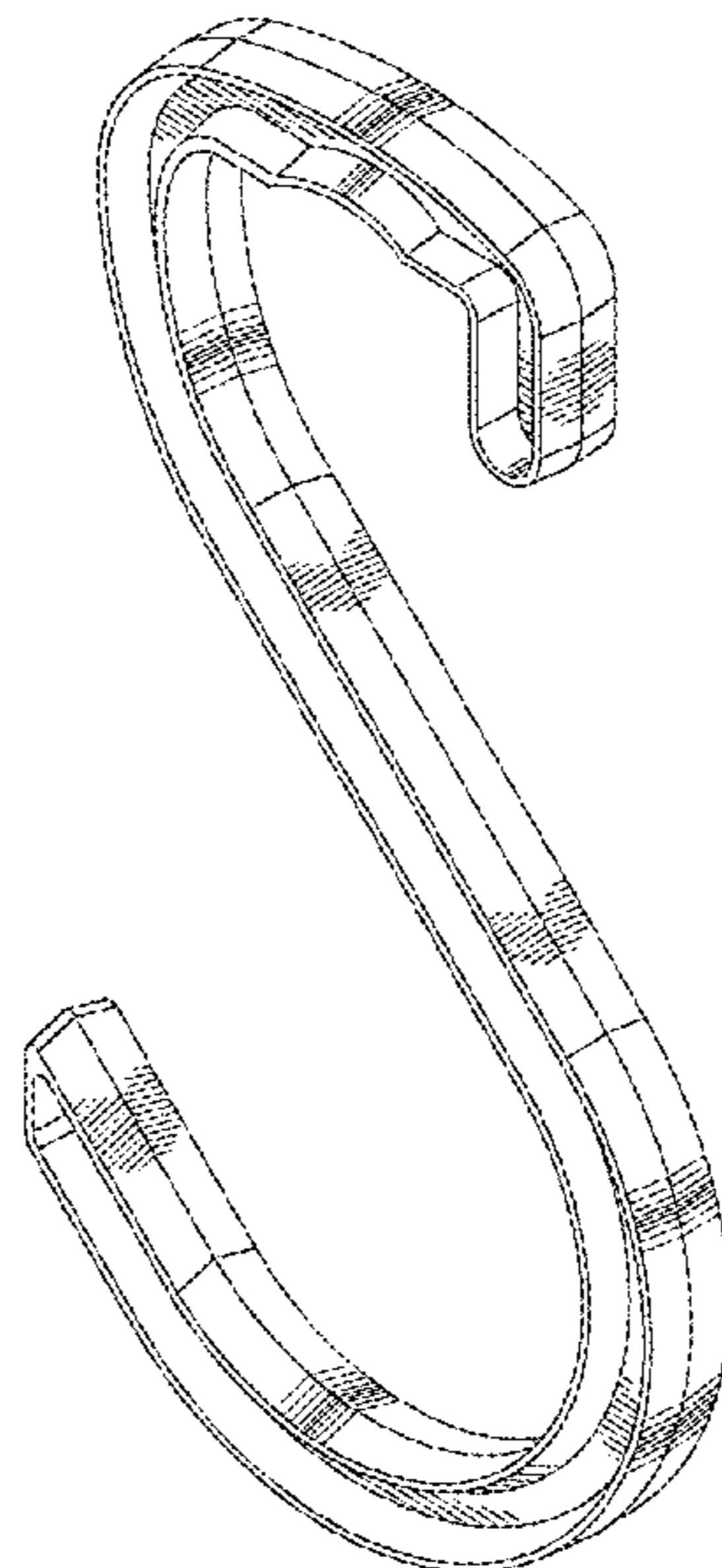
FIG. 1 is a front perspective view of a single hook showing our new design;
FIG. 2 is a front elevation view thereof;
FIG. 3 is a left side elevation view thereof;
FIG. 4 is a right side elevation view thereof;
FIG. 5 is a top view thereof; and,
FIG. 6 is a bottom view thereof.

1 Claim, 2 Drawing Sheets

(56) **References Cited**

U.S. PATENT DOCUMENTS

- 1,667,541 A * 4/1928 Edeburn F16B 45/00
24/698.2
- 2,018,836 A 10/1935 Clemence
- 2,284,197 A 5/1942 Greene
- D195,299 S * 5/1963 Margulis D8/371
- D244,910 S * 7/1977 Chasen D8/367
- 5,174,536 A * 12/1992 Pelletier B60R 7/08
160/67
- D402,764 S * 12/1998 Chatfield D24/211
- D403,431 S * 12/1998 Gladieux, Jr. D24/214
- D404,127 S * 1/1999 Lammers 248/303



(56)

References Cited

U.S. PATENT DOCUMENTS

D694,613 S *	12/2013	Miles	D8/367	D918,406 S *	5/2021	Elul	D24/214
D708,446 S *	7/2014	Goodman	D8/367	D926,480 S *	8/2021	Hughes	D6/315
D742,534 S *	11/2015	Bains	D24/214	D927,291 S *	8/2021	Janecek	D8/367
9,255,602 B2 *	2/2016	Liang	F16B 45/06	D931,090 S *	9/2021	Hu	D8/367
D765,872 S *	9/2016	Blaskovich	D24/214	D935,204 S *	11/2021	Cowlin	D8/372
9,433,261 B1 *	9/2016	Miles	A44B 13/0029	D943,403 S *	2/2022	Fildan	D8/370
D769,454 S *	10/2016	Hong	D24/215	D947,400 S *	3/2022	Mao	D24/214
9,528,655 B1 *	12/2016	Miles	B60P 7/0823	2005/0087662 A1 *	4/2005	Jacobs	F16L 3/14 248/303
D784,798 S *	4/2017	Logsdon	D8/394	2006/0162138 A1 *	7/2006	Kimura	B66C 1/36 24/599.6
D795,678 S *	8/2017	Early	D8/367	2007/0119891 A1 *	5/2007	Lawrence	A45F 5/02 224/269
D810,547 S *	2/2018	Lynn et al.		2009/0000086 A1 *	1/2009	Bing	F16B 45/06 24/592.11
D817,748 S *	5/2018	Wang	D8/367	2014/0350445 A1 *	11/2014	Lok	A61H 7/007 601/137
D858,261 S *	9/2019	Gong	D8/367	2018/0080496 A1 *	3/2018	Early	A47K 10/12
D902,019 S *	11/2020	Ryan	D8/381					
D902,020 S *	11/2020	Ryan	D8/381					
D909,189 S *	2/2021	Mueller	D8/367					

* cited by examiner

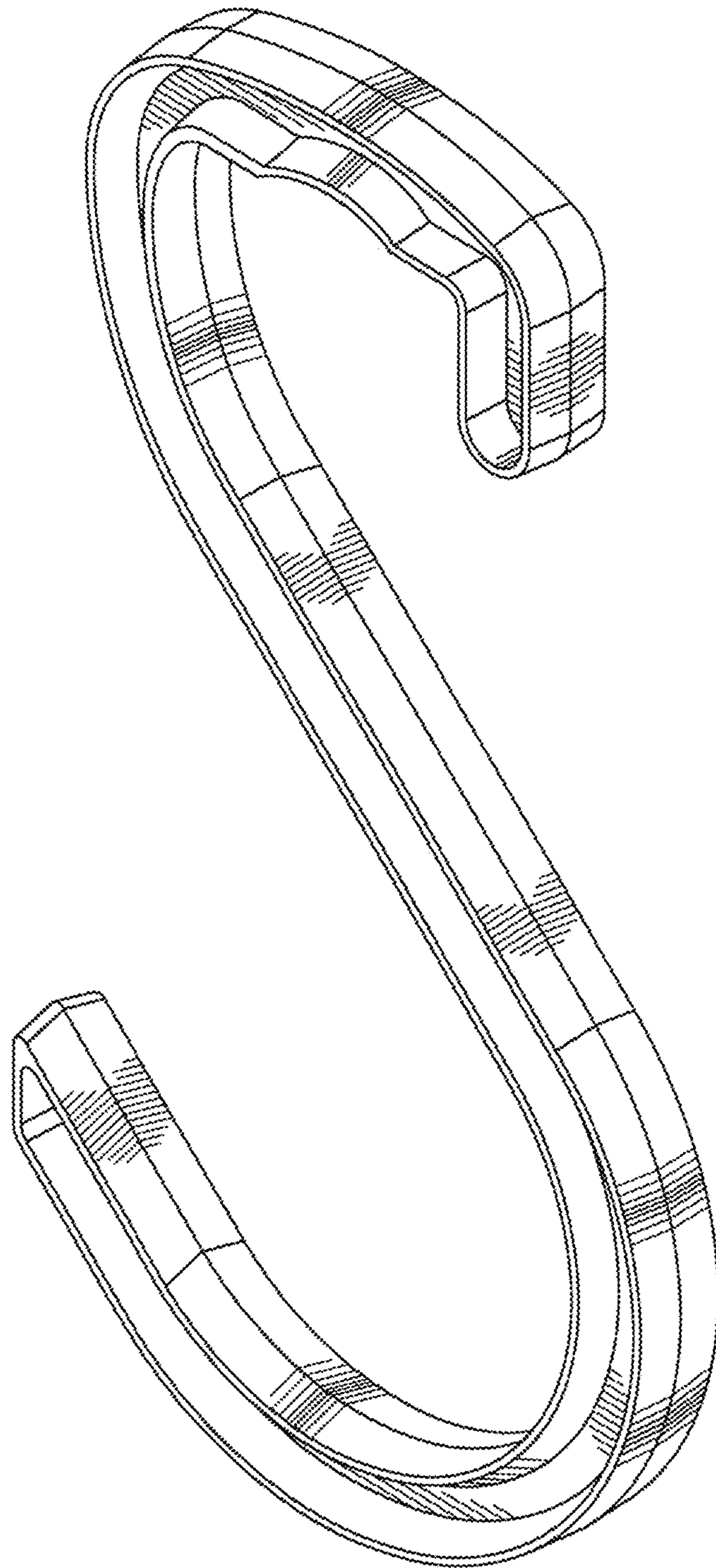


FIG. 1

FIG. 5

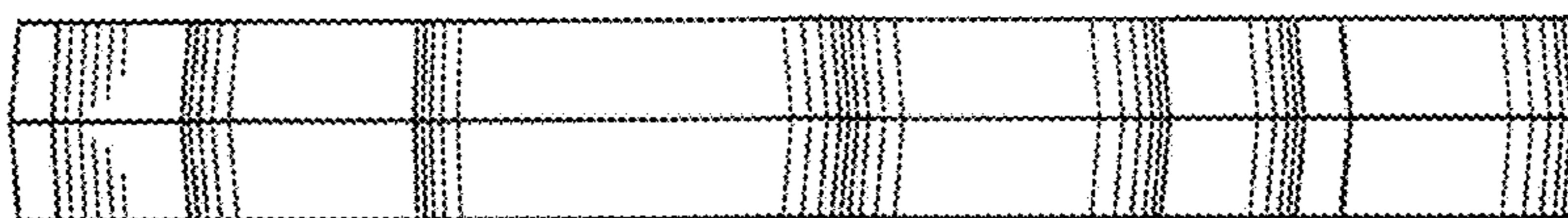


FIG. 4

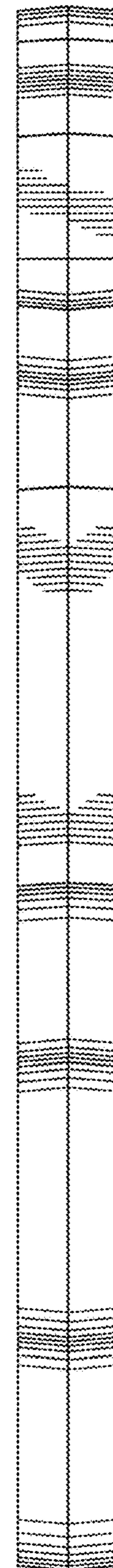


FIG. 2

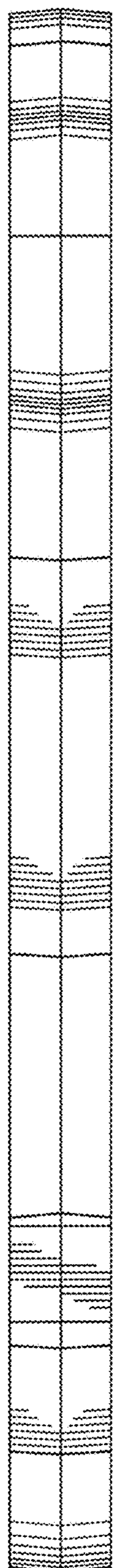
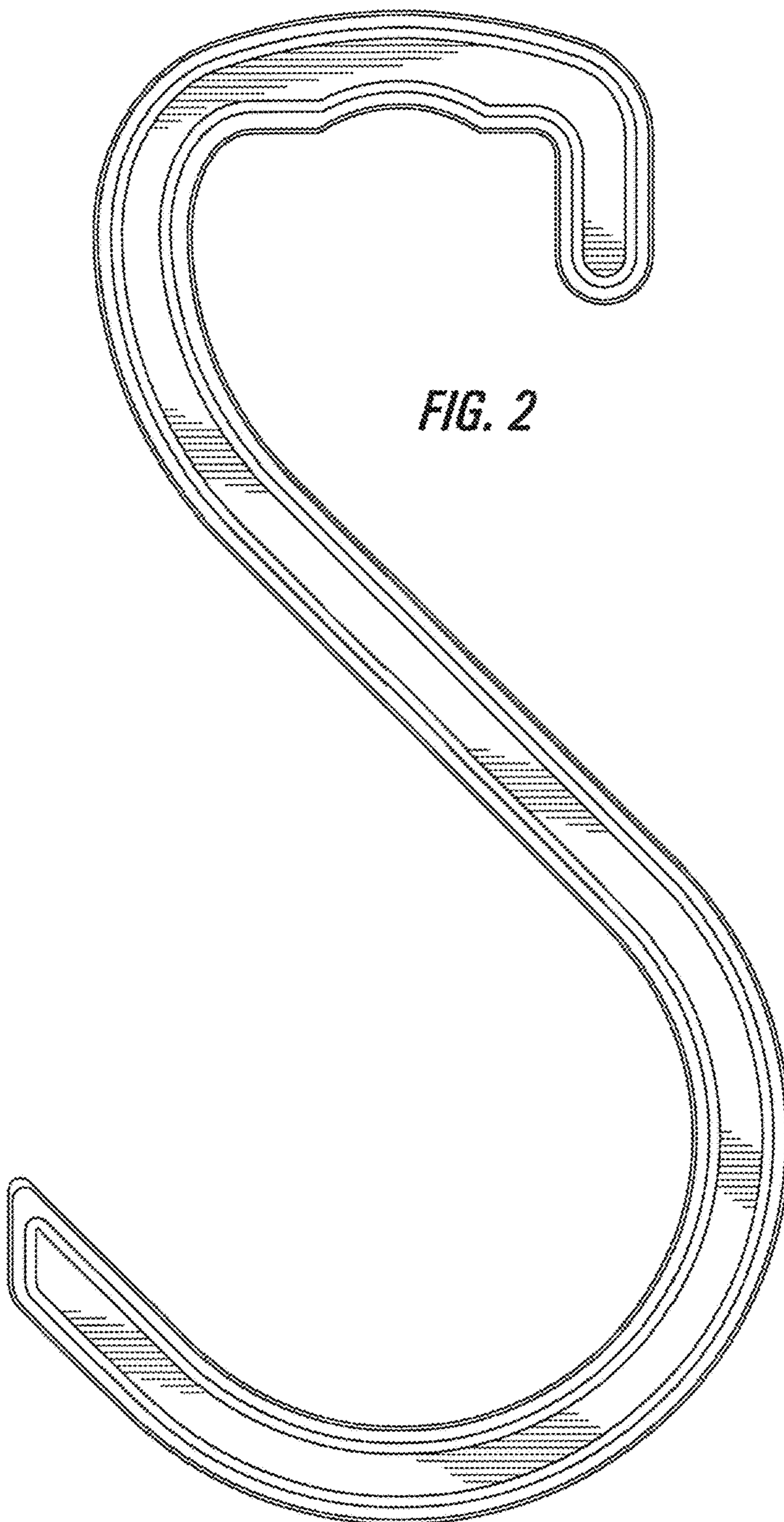


FIG. 3

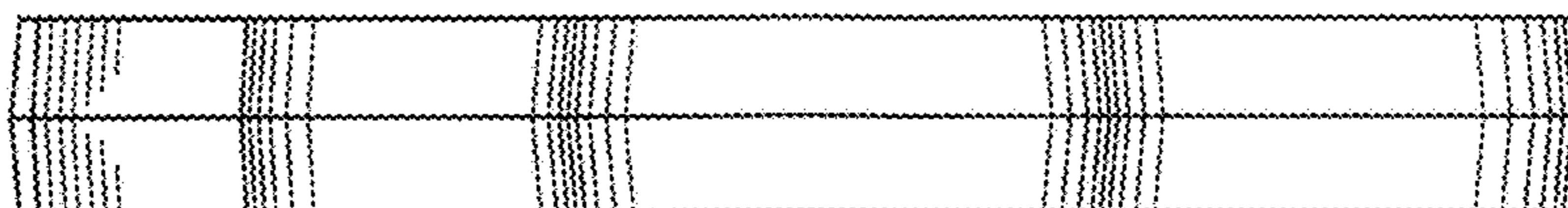


FIG. 6