



US00D957917S

(12) **United States Design Patent**
Whitehead et al.

(10) **Patent No.:** **US D957,917 S**
(45) **Date of Patent:** **** Jul. 19, 2022**

(54) **HOSE REEL**

(71) Applicant: **Suncast Technologies, LLC**, Palm Beach Gardens, FL (US)

(72) Inventors: **Stephen Whitehead**, Elgin, IL (US); **Torrence Anderson**, Overland Park, KS (US); **Robert G. Kopp**, Elburn, IL (US)

(73) Assignee: **Suncast Technologies, LLC**, Palm Beach Gardens, FL (US)

(**) Term: **15 Years**

(21) Appl. No.: **29/731,605**

(22) Filed: **Apr. 16, 2020**

(51) **LOC (13) Cl.** **08-11**

(52) **U.S. Cl.**
USPC **D8/359**

(58) **Field of Classification Search**
USPC D8/356-359, 360.1; D34/24
CPC B65H 75/40; B65H 2701/34; B65H 75/4471; B65H 2402/412; B65H 2701/32; B65H 2701/533; B65H 2701/534; B65H 2701/536; B65H 75/14; B65H 75/146; B65H 75/406; B65H 75/4468
See application file for complete search history.

(56) **References Cited**

U.S. PATENT DOCUMENTS

D330,506 S *	10/1992	Clivio	D8/358
D330,847 S *	11/1992	Clivio	D8/359
D341,240 S *	11/1993	Roman	D34/24
D501,788 S *	2/2005	Richardson	D34/24
D570,573 S *	6/2008	Arcati	D34/24
D596,822 S *	7/2009	Blaszczak	D34/24
D604,019 S *	11/2009	Blaszczak	D34/14
D604,020 S *	11/2009	Blaszczak	D34/14
D604,021 S *	11/2009	Blaszczak	D34/14
D652,191 S *	1/2012	Arcati	D34/24

D652,192 S *	1/2012	Blaszczak	D34/24
D652,193 S *	1/2012	Blaszczak	D34/24
D654,648 S *	2/2012	Blaszczak	D34/24
D879,593 S *	3/2020	Boies	D8/359
D879,594 S *	3/2020	Boies	D8/359

(Continued)

OTHER PUBLICATIONS

Suncast 225' Metal_Resin Hose Reel Cart—MR212 _ Blain's Farm & Fleet, Date Visited: Oct. 20, 2021, Farm and Fleet, Date Available: May 2021, <https://www.farmandfleet.com/products/1342187-suncast-225-metal-resin-hose-reel-cart.html> (Year: 2021).*

(Continued)

Primary Examiner — Susan Bennett Hattan

Assistant Examiner — Elizabeth S Ko

(74) *Attorney, Agent, or Firm* — McHale & Slavin, P.A.

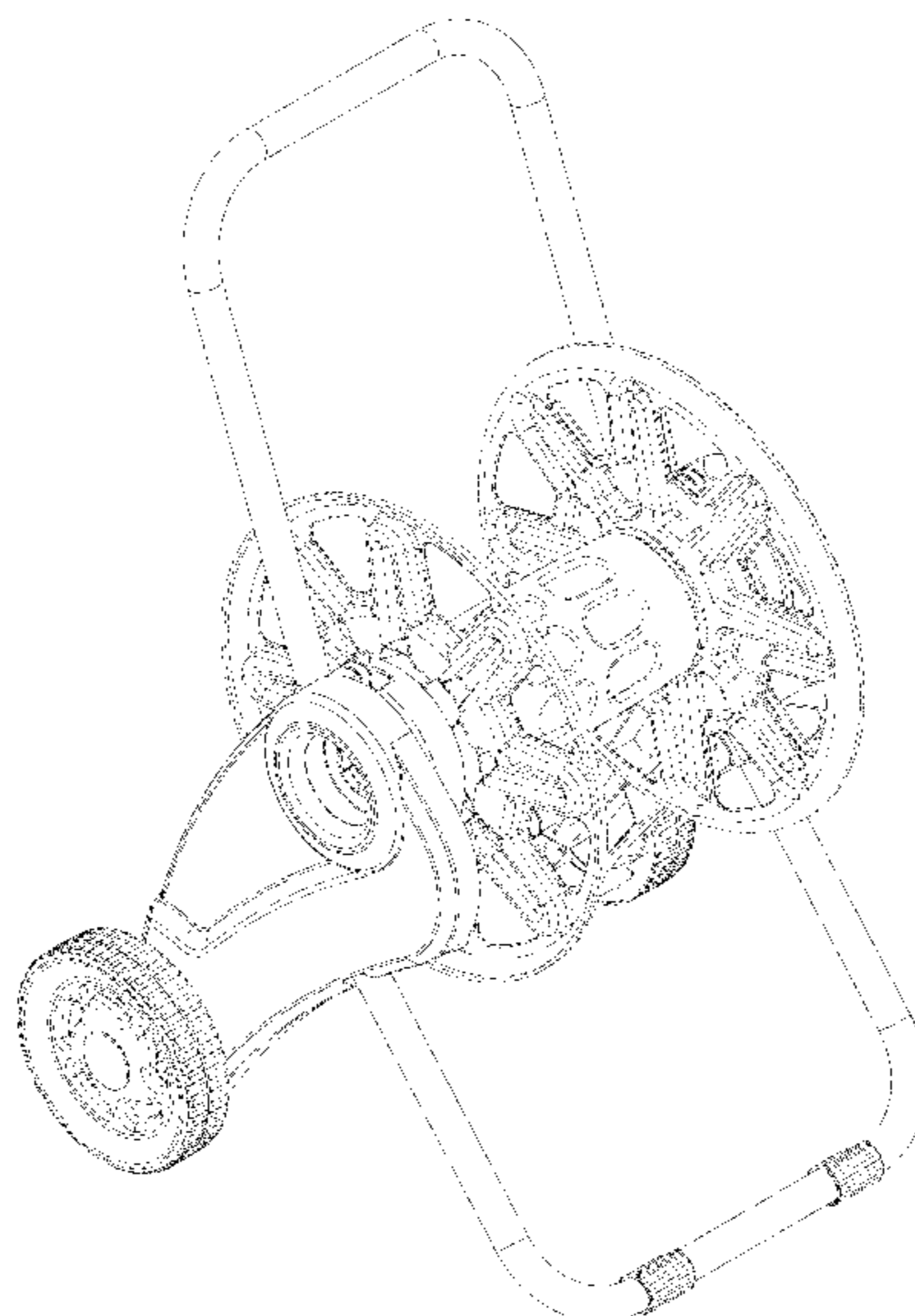
(57) **CLAIM**

The ornamental design for a hose reel, as shown and described.

DESCRIPTION

FIG. 1 is a top front left perspective view of the hose reel of the present invention;
FIG. 2 is a top front right perspective view thereof;
FIG. 3 is a front view thereof;
FIG. 4 is a left side view thereof;
FIG. 5 is a right side view thereof;
FIG. 6 is a top view thereof;
FIG. 7 is a bottom front left perspective view thereof;
FIG. 8 is a bottom front right perspective view thereof;
FIG. 9 is a top front left perspective view of the hose reel in a folded state; and,
FIG. 10 is a top front right perspective view of the hose reel in a folded state.
The portions of the hose reel illustrated in broken lines are not claimed.

1 Claim, 10 Drawing Sheets



(56)

References Cited

U.S. PATENT DOCUMENTS

2009/0121067 A1* 5/2009 Arcati B65H 75/4478
242/395
2011/0180158 A1* 7/2011 Arcati F16L 37/1225
137/355.26
2011/0309182 A1* 12/2011 Franchini B65H 75/4465
242/403.1
2012/0255625 A1* 10/2012 Arcati B65H 75/403
137/355.26
2012/0255626 A1* 10/2012 Arcati B65H 75/403
137/355.26
2012/0255627 A1* 10/2012 Arcati B65H 75/4478
137/355.27

OTHER PUBLICATIONS

Liberty Garden Products, Date Visited: Oct. 20, 2021, Amazon,
Date Available: Jun. 11, 2014, <https://www.amazon.co.uk/Liberty-708-708-Wheel-for-Tube/dp/B00GVE9XCK> (Year: 2014).*

Suncast 125 ft. Slide Trak® Decorative Metal Wall Mount, Date
Visited: Oct. 20, 2021, Walmart, Date Available: Feb. 21, 2020,
<https://www.walmart.com/ip/Suncast-125-ft-Slide-Trak-Decorative-Metal-Wall-Mount-Garden-Hose-Reel-with-Shelf-Black/491634045> (Year: 2020).*

* cited by examiner

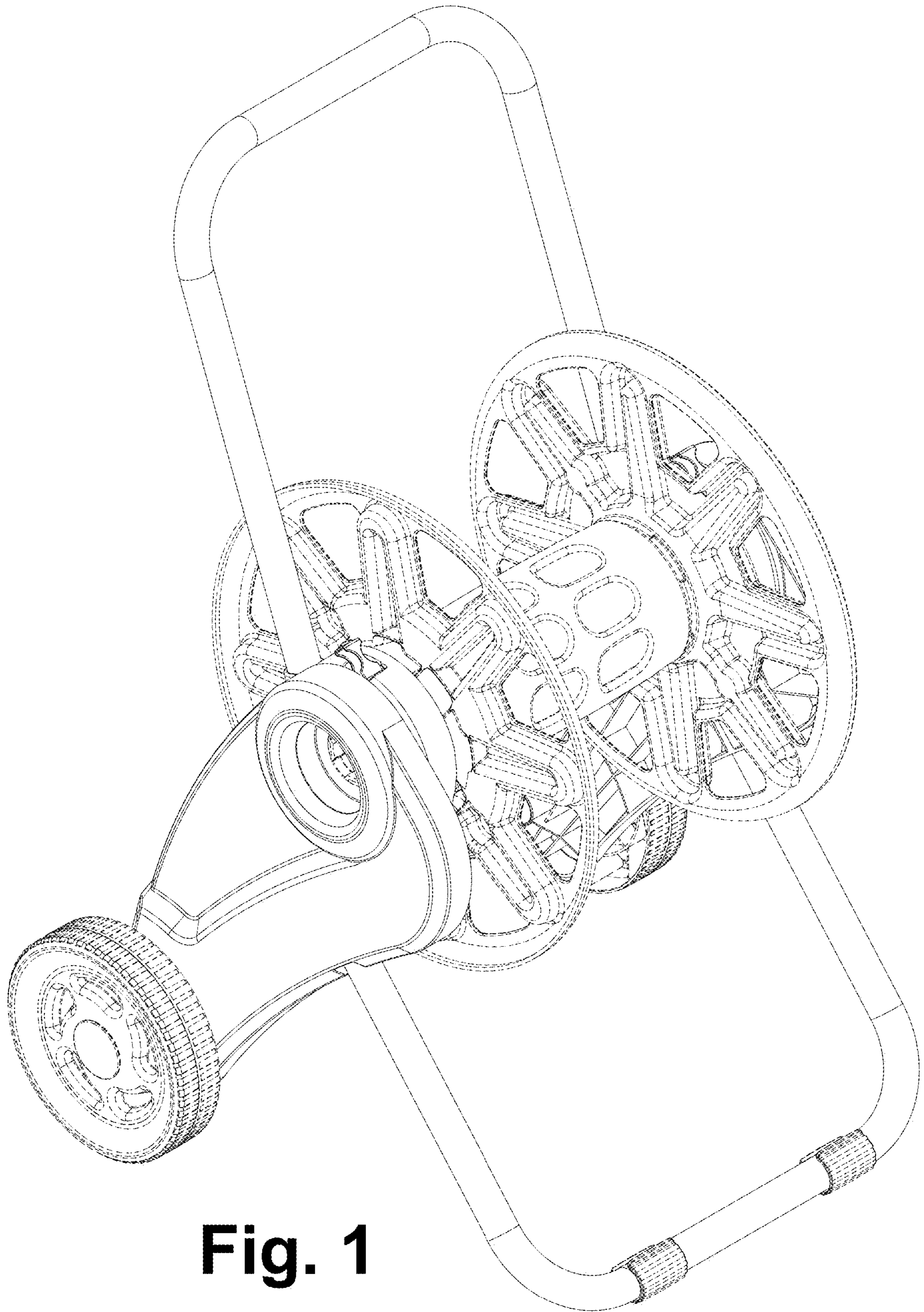


Fig. 1

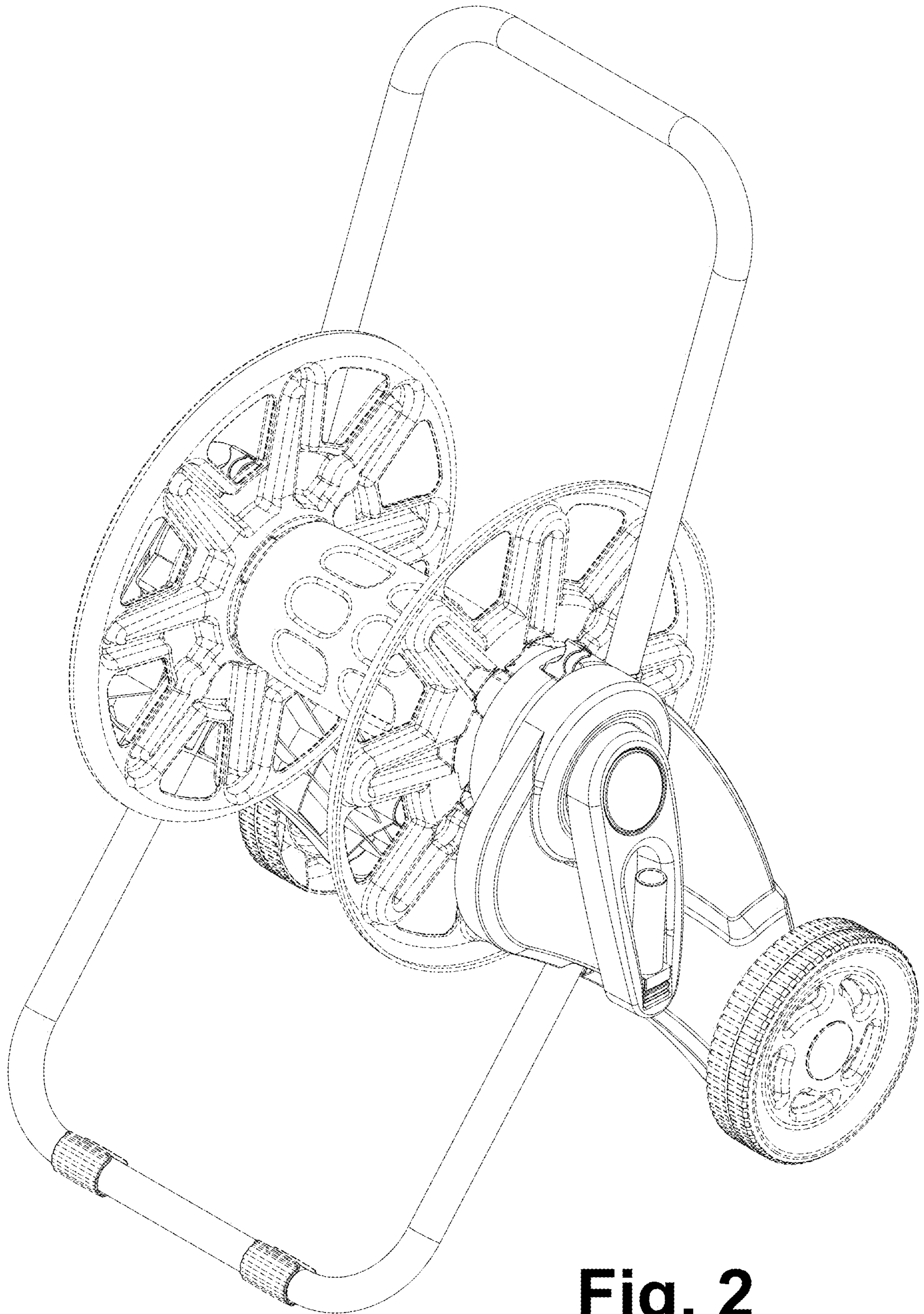


Fig. 2

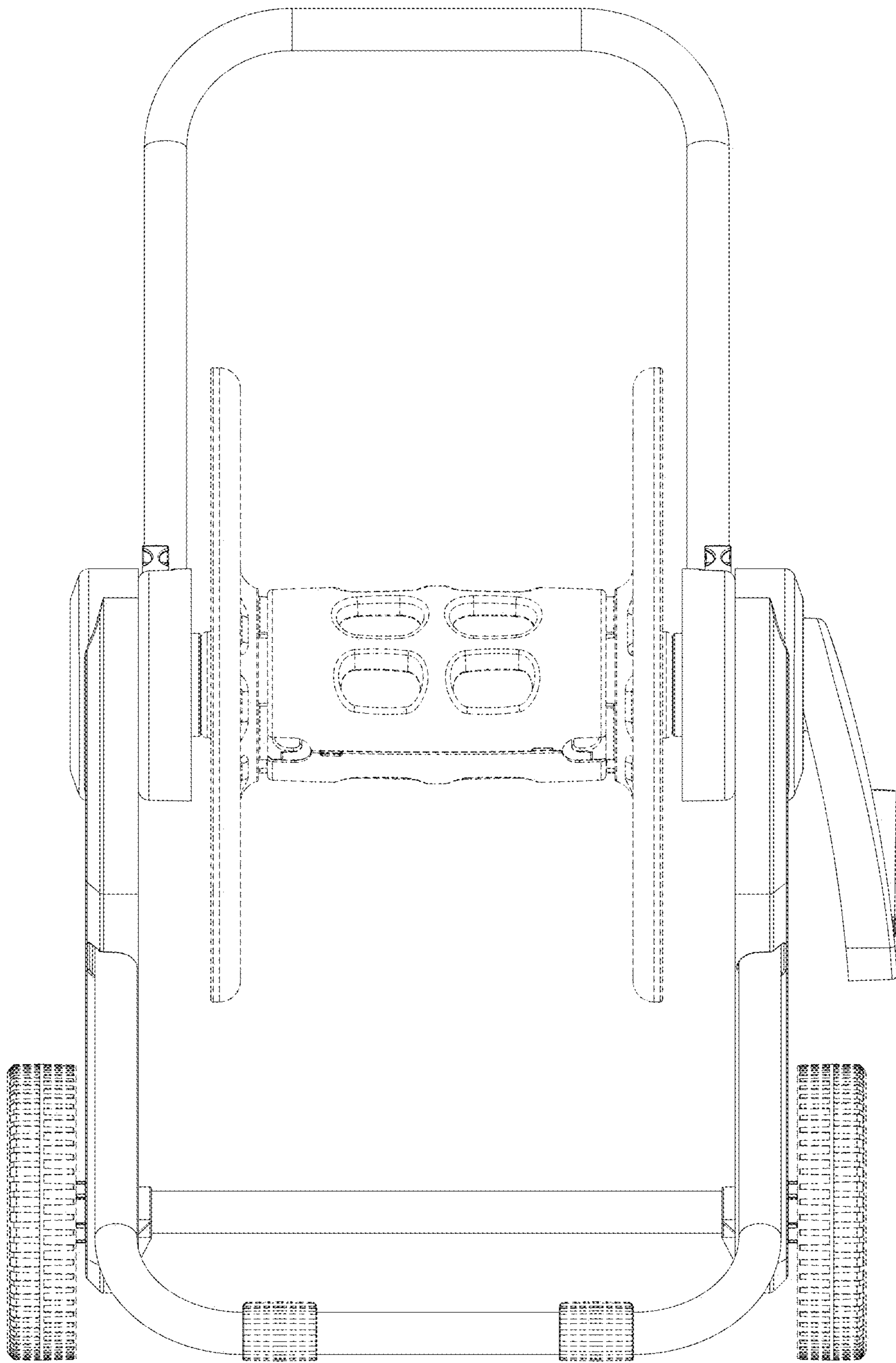


Fig. 3

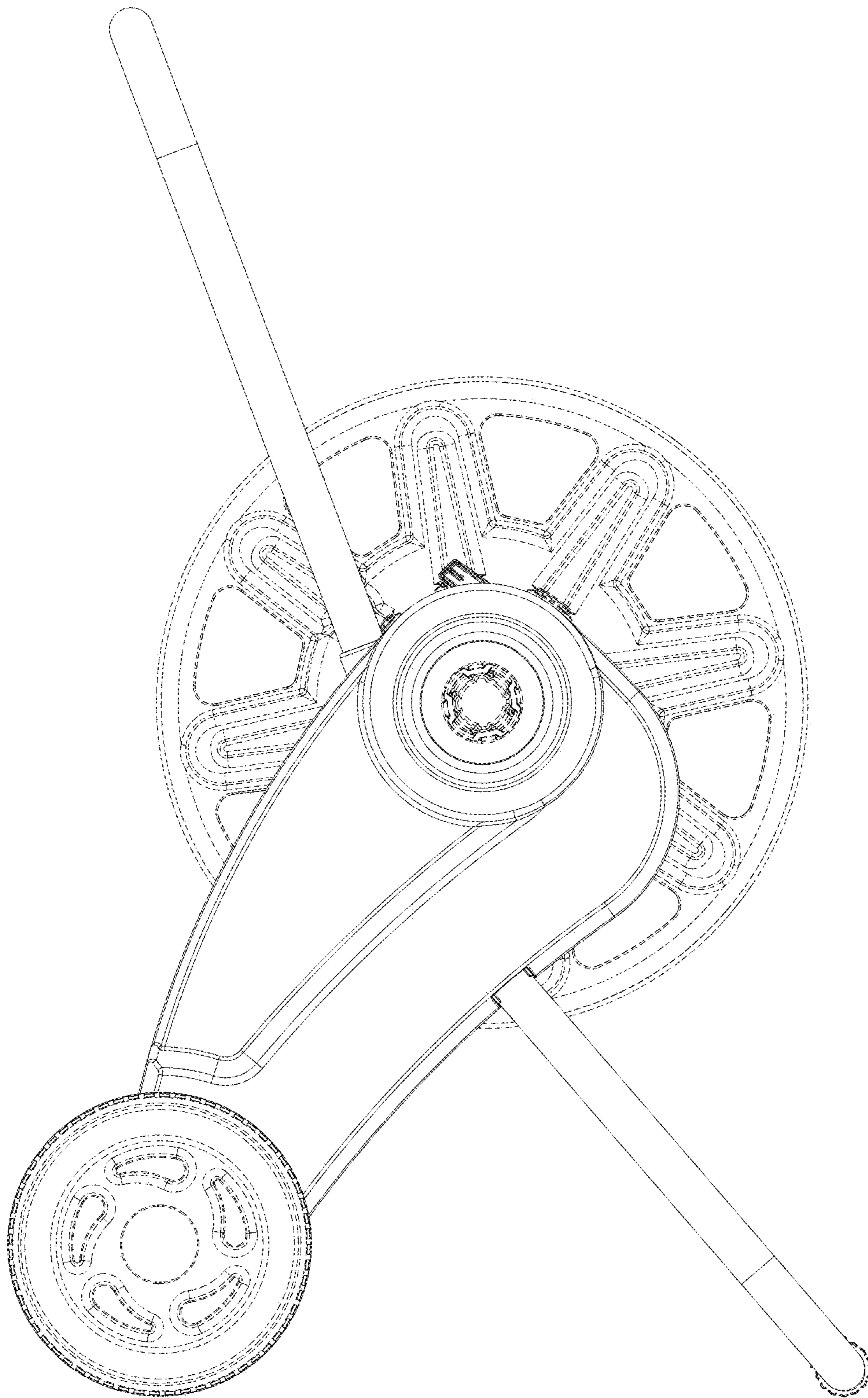


Fig. 4

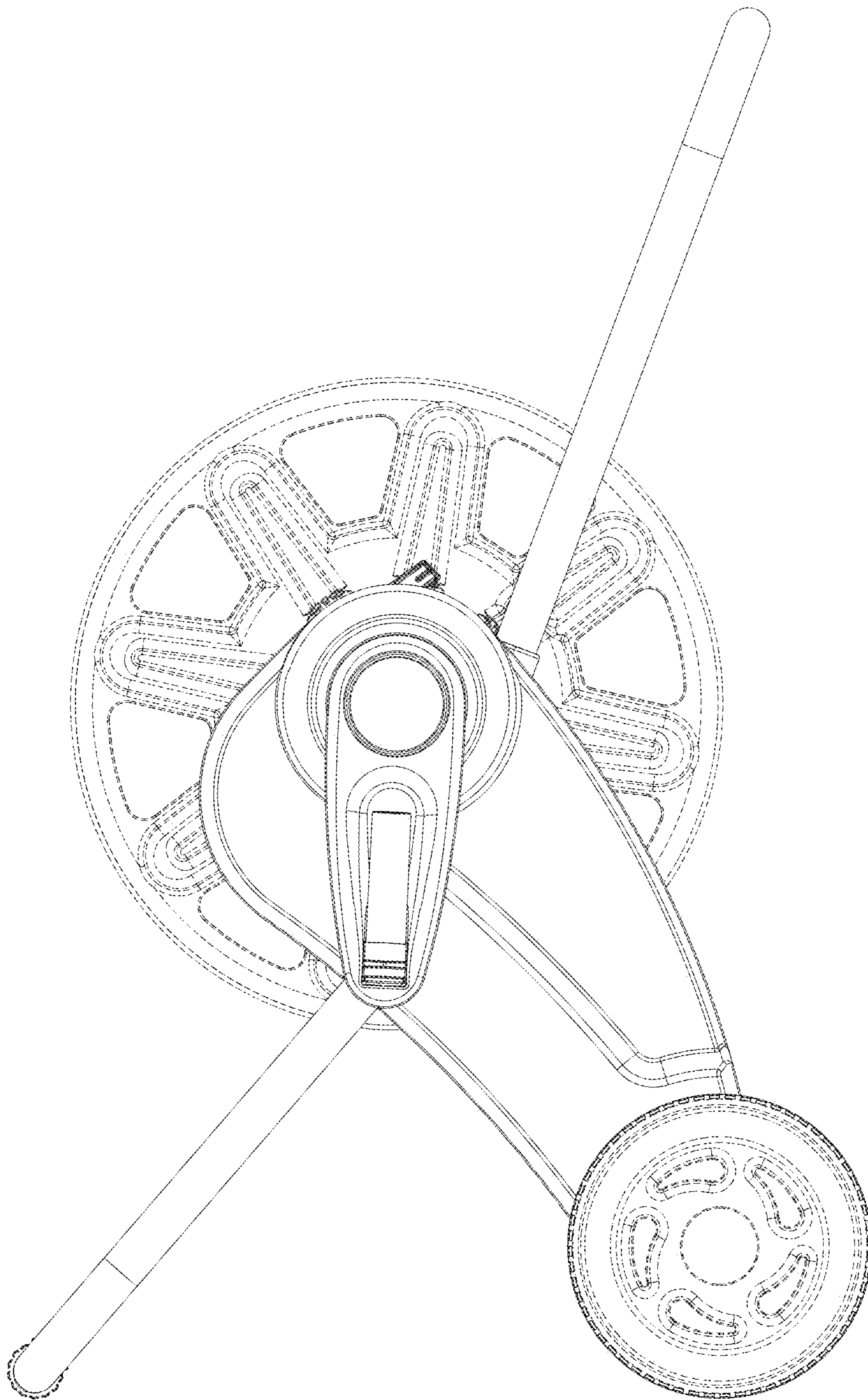


Fig. 5

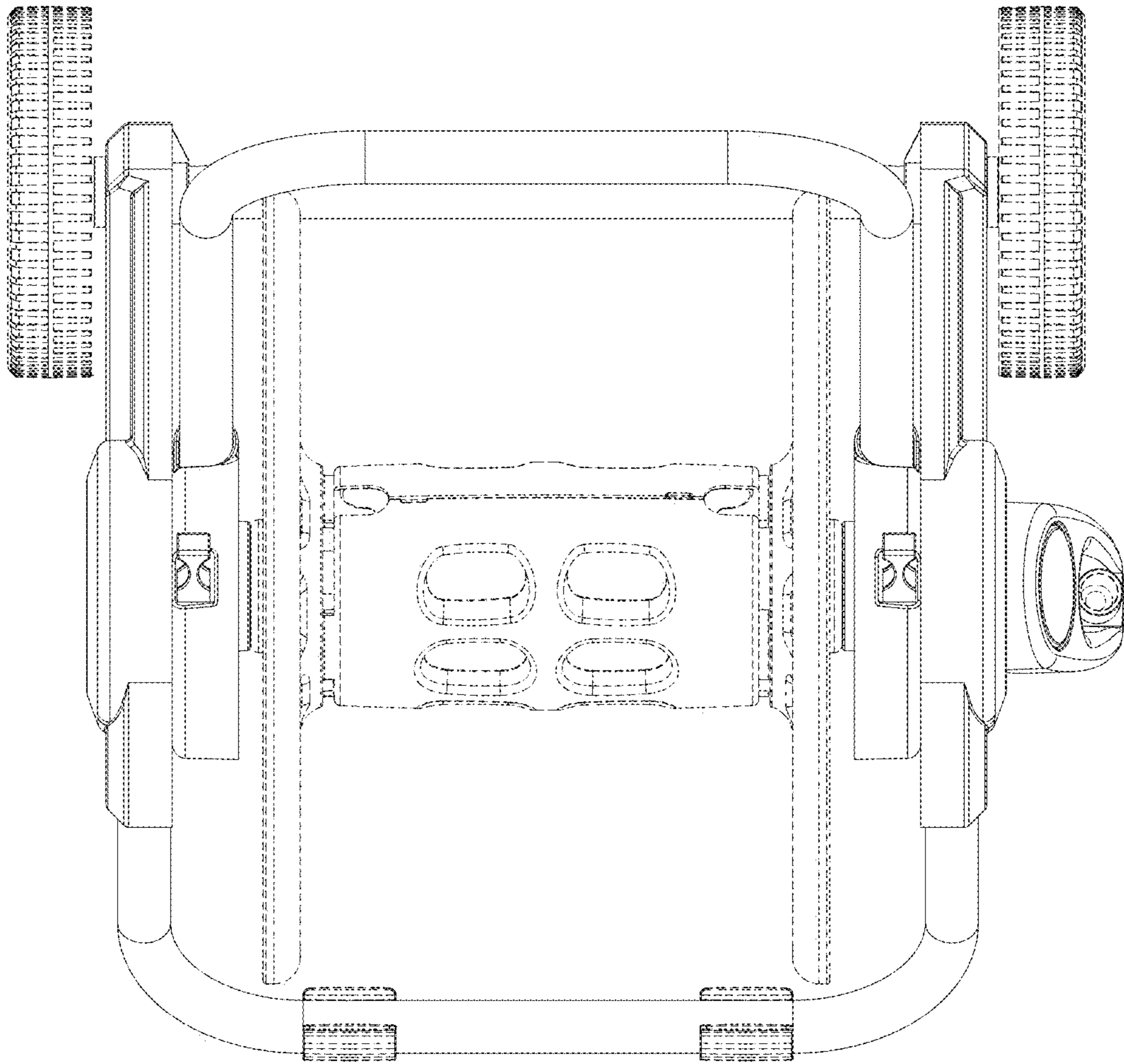


Fig. 6

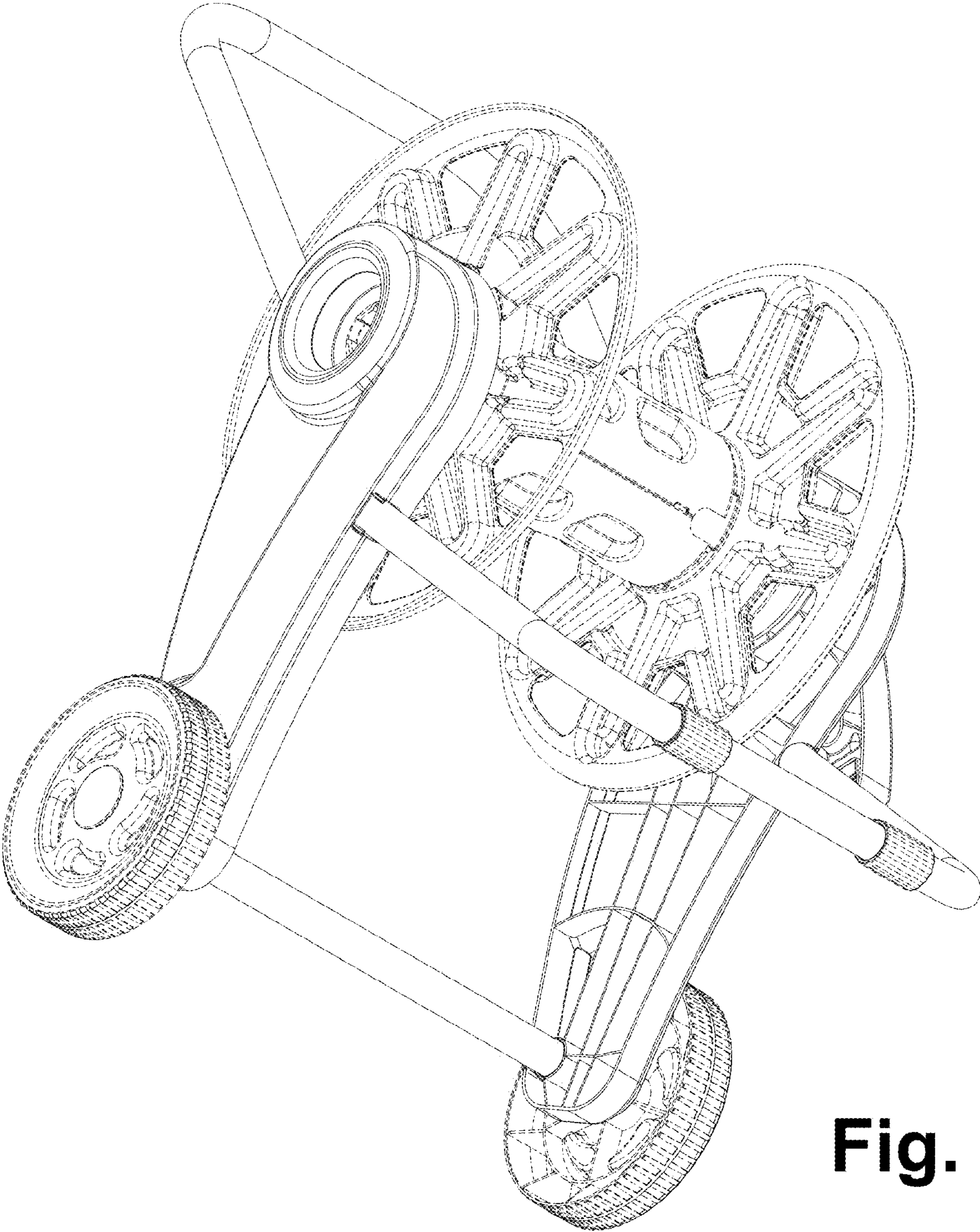


Fig. 7

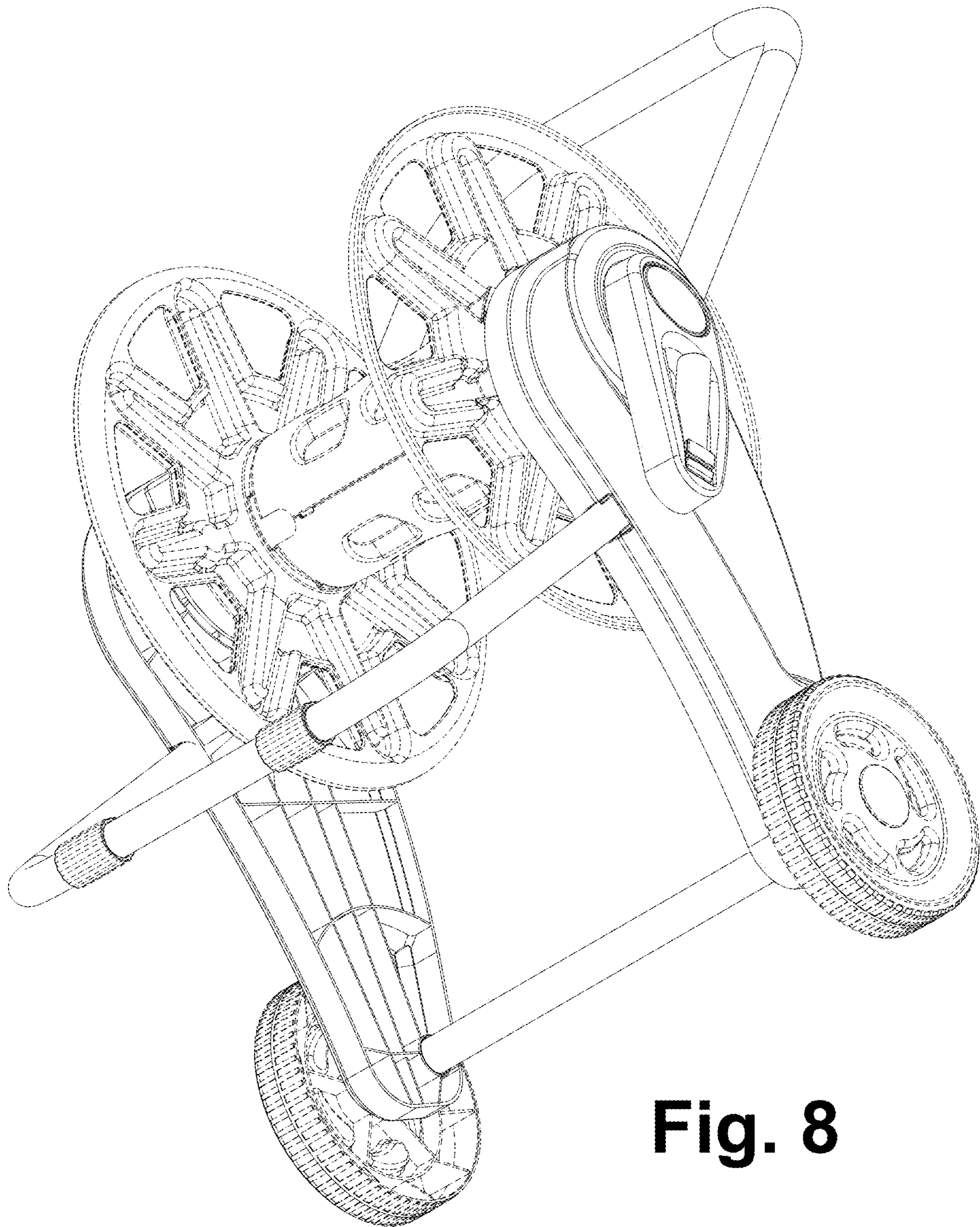


Fig. 8

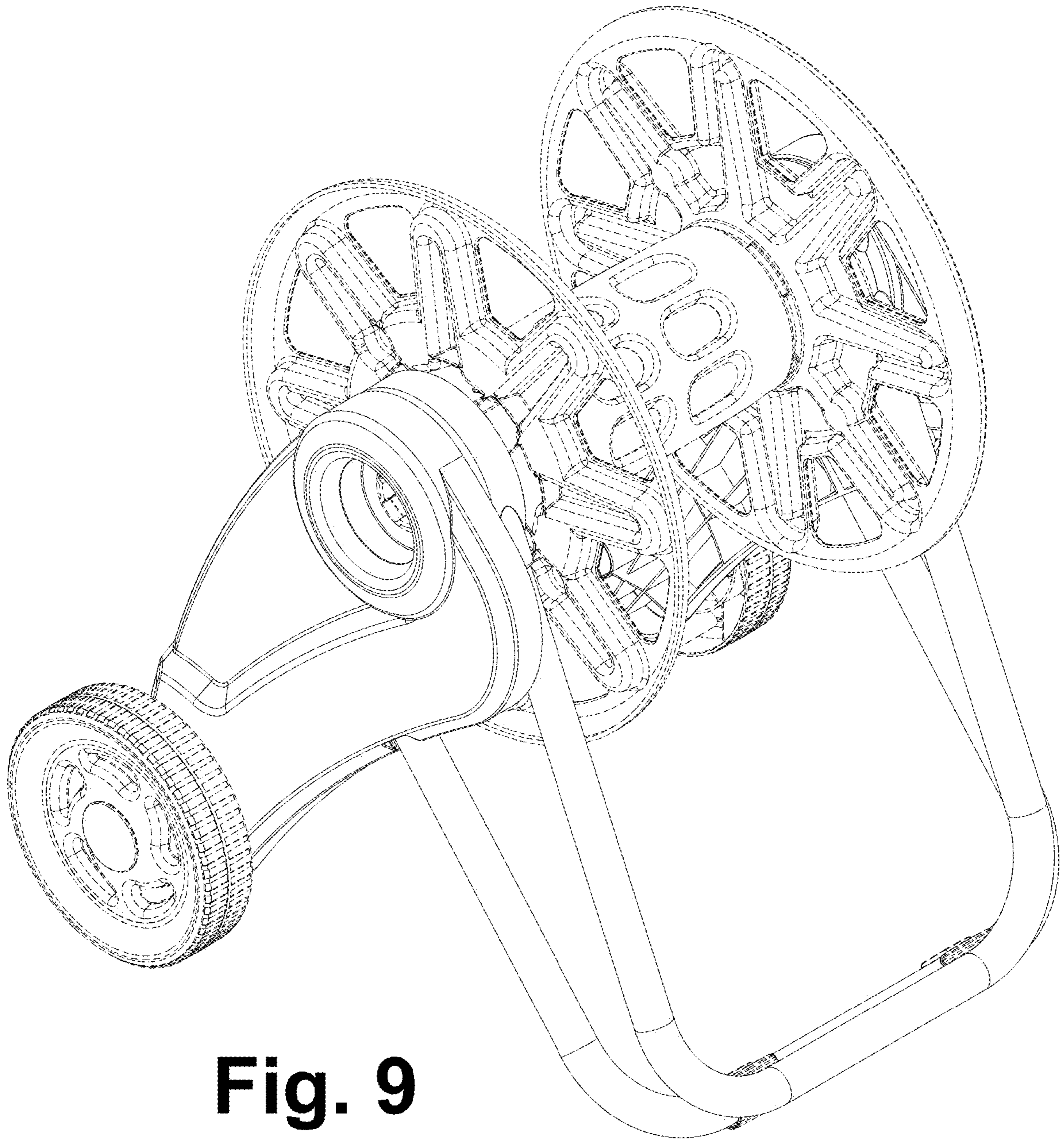


Fig. 9

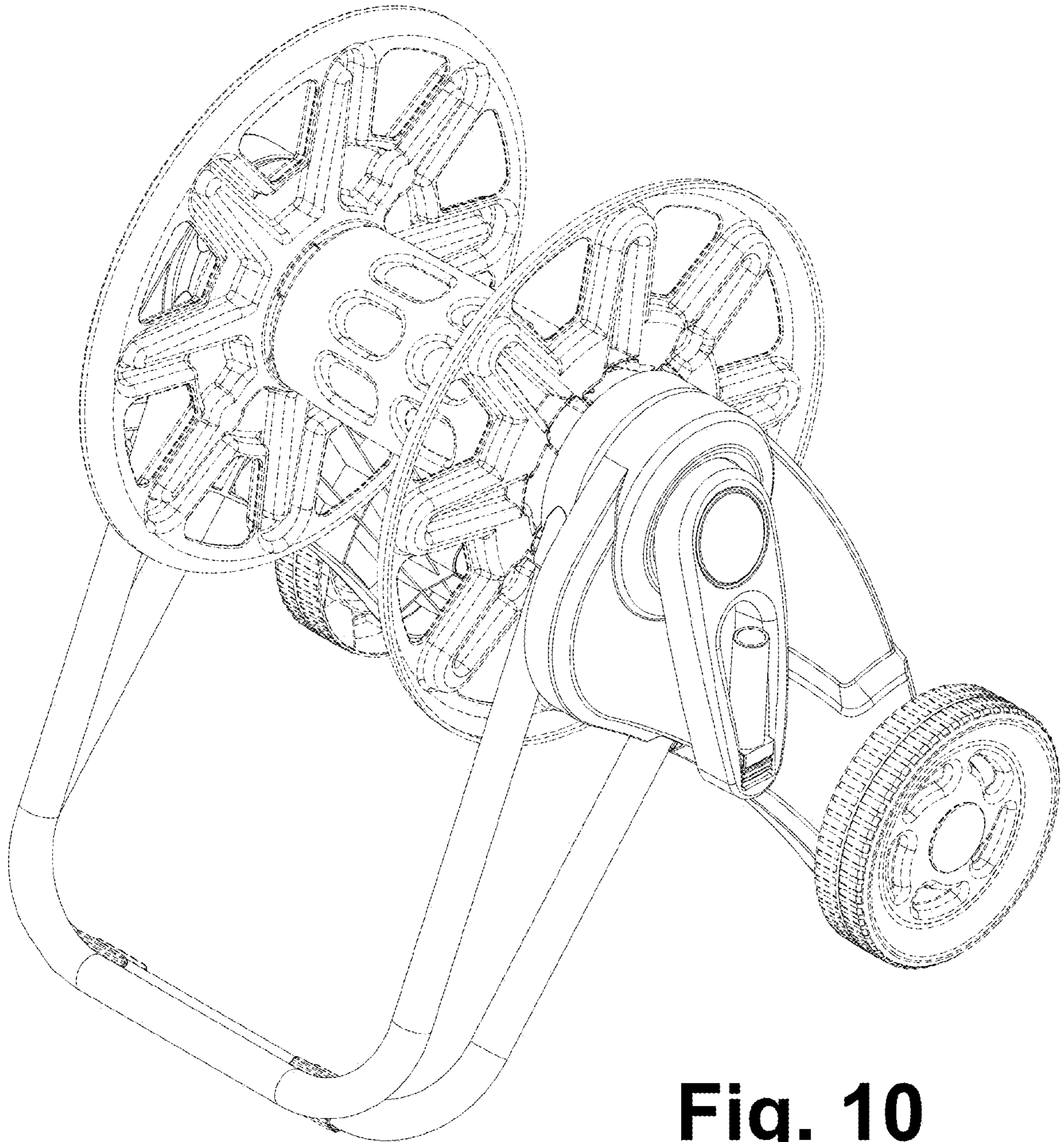


Fig. 10