



US00D957916S

(12) **United States Design Patent**  
**Whitehead et al.**

(10) **Patent No.:** **US D957,916 S**  
(45) **Date of Patent:** **\*\* Jul. 19, 2022**

(54) **HOSE REEL**

(71) Applicant: **Suncast Technologies, LLC**, Palm Beach Gardens, FL (US)

(72) Inventors: **Stephen Whitehead**, Elgin, IL (US); **Torrence Anderson**, Overland Park, KS (US); **Robert G. Kopp**, Elburn, IL (US)

(73) Assignee: **Suncast Technologies, LLC**, Palm Beach Gardens, FL (US)

(\*\*) Term: **15 Years**

(21) Appl. No.: **29/729,876**

(22) Filed: **Mar. 31, 2020**

(51) **LOC (13) Cl.** ..... **08-11**

(52) **U.S. Cl.**  
USPC ..... **D8/359**

(58) **Field of Classification Search**  
USPC ..... D8/356-359, 360.1; D34/24  
CPC ..... B65H 75/40; B65H 2701/34; B65H 75/4471; B65H 2402/412; B65H 2701/32; B65H 2701/533; B65H 2701/534; B65H 2701/536; B65H 75/14; B65H 75/146; B65H 75/406; B65H 75/4468  
See application file for complete search history.

(56) **References Cited**

**U.S. PATENT DOCUMENTS**

D330,506 S *	10/1992	Clivio .....	D8/358
D330,847 S *	11/1992	Clivio .....	D8/359
D341,240 S *	11/1993	Roman .....	D34/24
D501,788 S *	2/2005	Richardson .....	D34/24
D570,573 S *	6/2008	Arcati .....	D34/24
D596,822 S *	7/2009	Blaszczak .....	D34/24
D604,019 S *	11/2009	Blaszczak .....	D34/14
D604,020 S *	11/2009	Blaszczak .....	D34/14
D604,021 S *	11/2009	Blaszczak .....	D34/14
D652,191 S *	1/2012	Arcati .....	D34/24

D652,192 S *	1/2012	Blaszczak .....	D34/24
D652,193 S *	1/2012	Blaszczak .....	D34/24
D654,648 S *	2/2012	Blaszczak .....	D34/24
D879,593 S *	3/2020	Boies .....	D8/359
D879,594 S *	3/2020	Boies .....	D8/359

(Continued)

**OTHER PUBLICATIONS**

Suncast 225' Metal\_Resin Hose Reel Cart—MR212 \_ Blain's Farm & Fleet, Date Visited: Oct. 20, 2021, Farm and Fleet, Date Available: May 2021, <https://www.farmandfleet.com/products/1342187-suncast-225-metal-resin-hose-reel-cart.html> (Year: 2021).\*

(Continued)

*Primary Examiner* — Susan Bennett Hattan

*Assistant Examiner* — Eilizabeth S Ko

(74) *Attorney, Agent, or Firm* — McHale & Slavin, P.A.

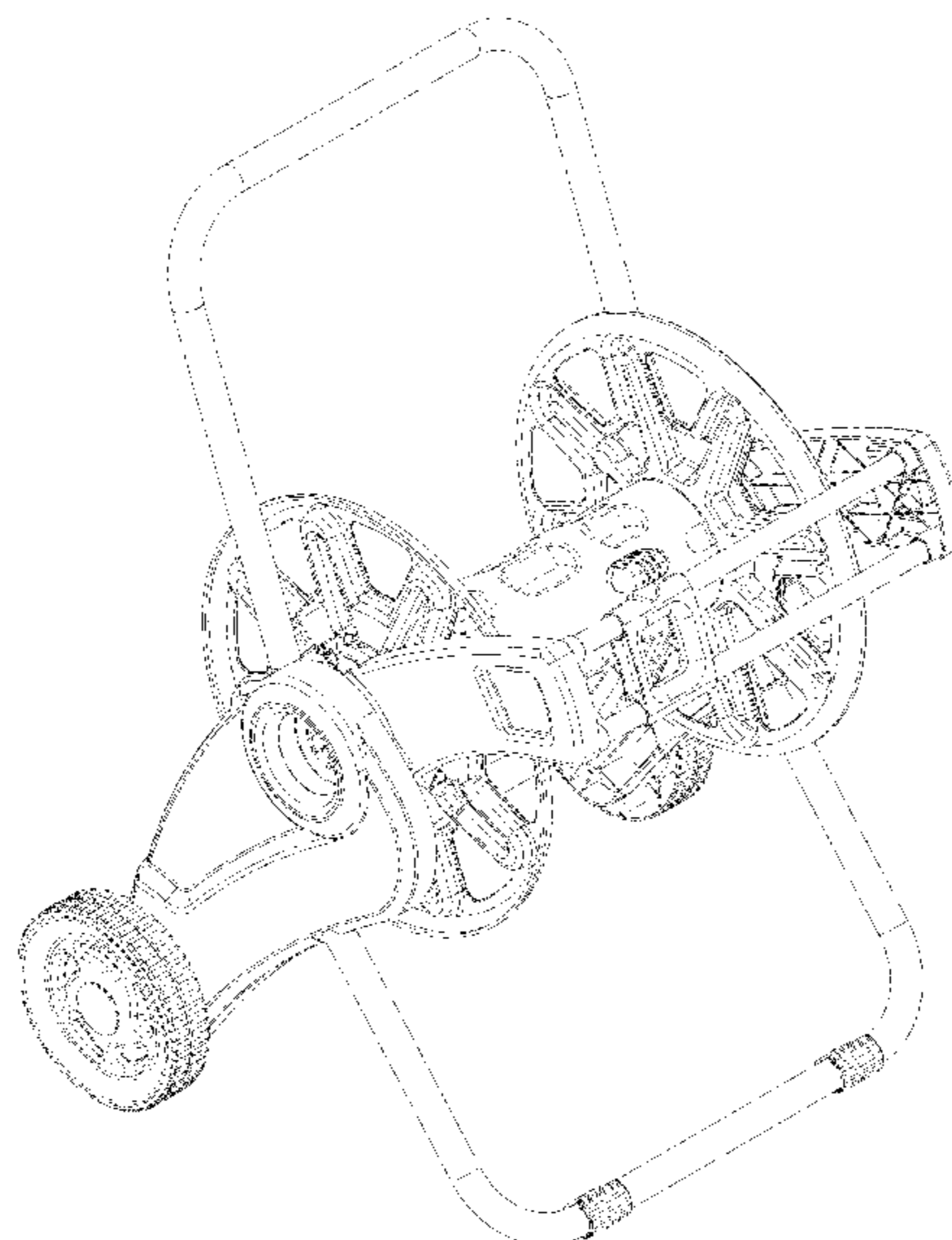
(57) **CLAIM**

The ornamental design for a hose reel, as shown and described.

**DESCRIPTION**

FIG. 1 is a top front left perspective view of the hose reel of the present invention;  
FIG. 2 is a top front right perspective view thereof;  
FIG. 3 is a front view thereof;  
FIG. 4 is a left side view thereof;  
FIG. 5 is a right side view thereof;  
FIG. 6 is a top view thereof;  
FIG. 7 is a bottom front left perspective view thereof;  
FIG. 8 is a bottom front right perspective view thereof;  
FIG. 9 is a top front left perspective view of the hose reel in a folded state; and,  
FIG. 10 is a bottom front right perspective view of the hose reel in a folded state.  
The portions of the hose reel illustrated in broken lines are not claimed.

**1 Claim, 10 Drawing Sheets**



(56)

**References Cited**

U.S. PATENT DOCUMENTS

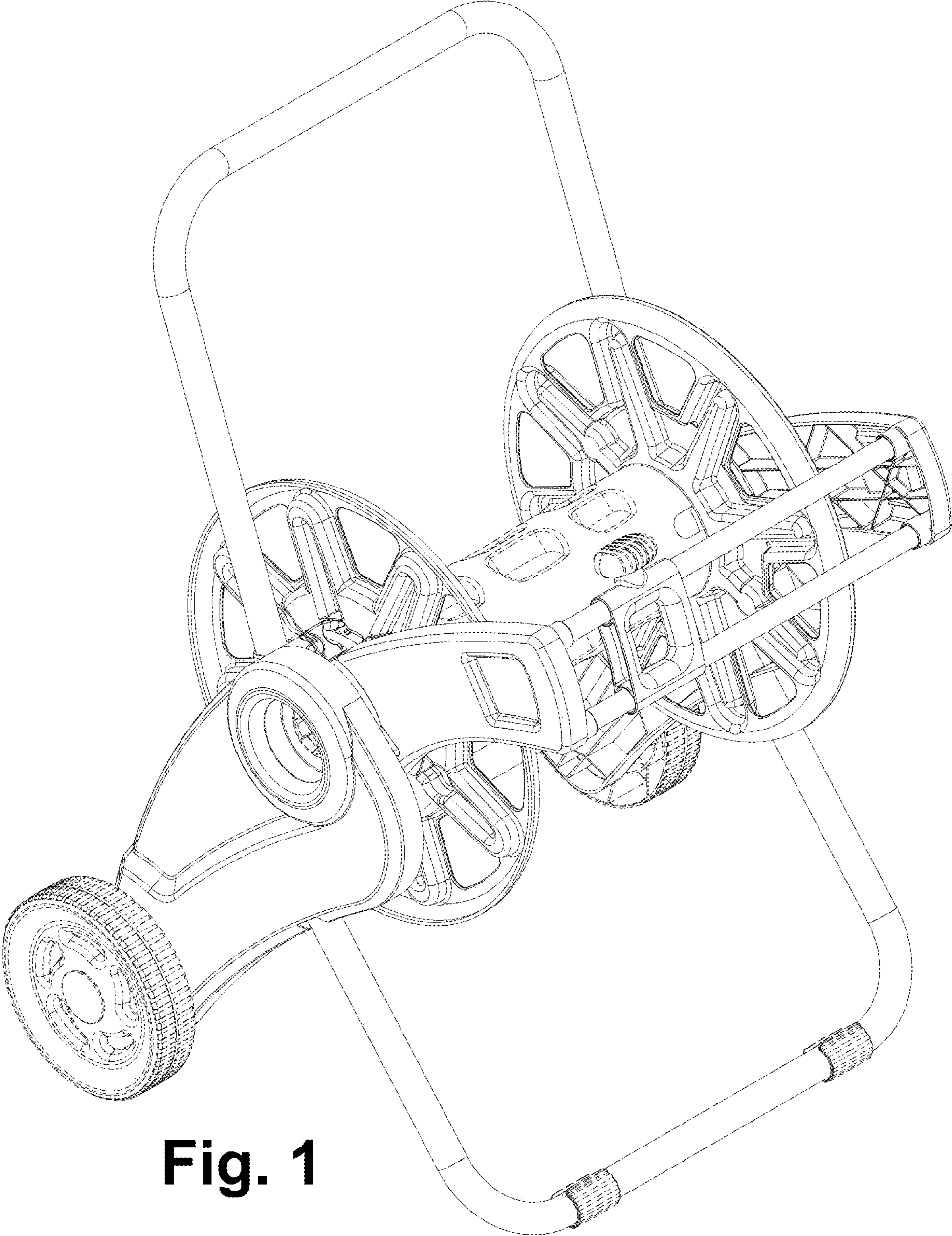
2009/0121067 A1\* 5/2009 Arcati ..... B65H 75/4478  
242/395  
2011/0180158 A1\* 7/2011 Arcati ..... F16L 37/1225  
137/355.26  
2011/0309182 A1\* 12/2011 Franchini ..... B65H 75/4465  
242/403.1  
2012/0255625 A1\* 10/2012 Arcati ..... B65H 75/403  
137/355.26  
2012/0255626 A1\* 10/2012 Arcati ..... B65H 75/403  
137/355.26  
2012/0255627 A1\* 10/2012 Arcati ..... B65H 75/4478  
137/355.27

OTHER PUBLICATIONS

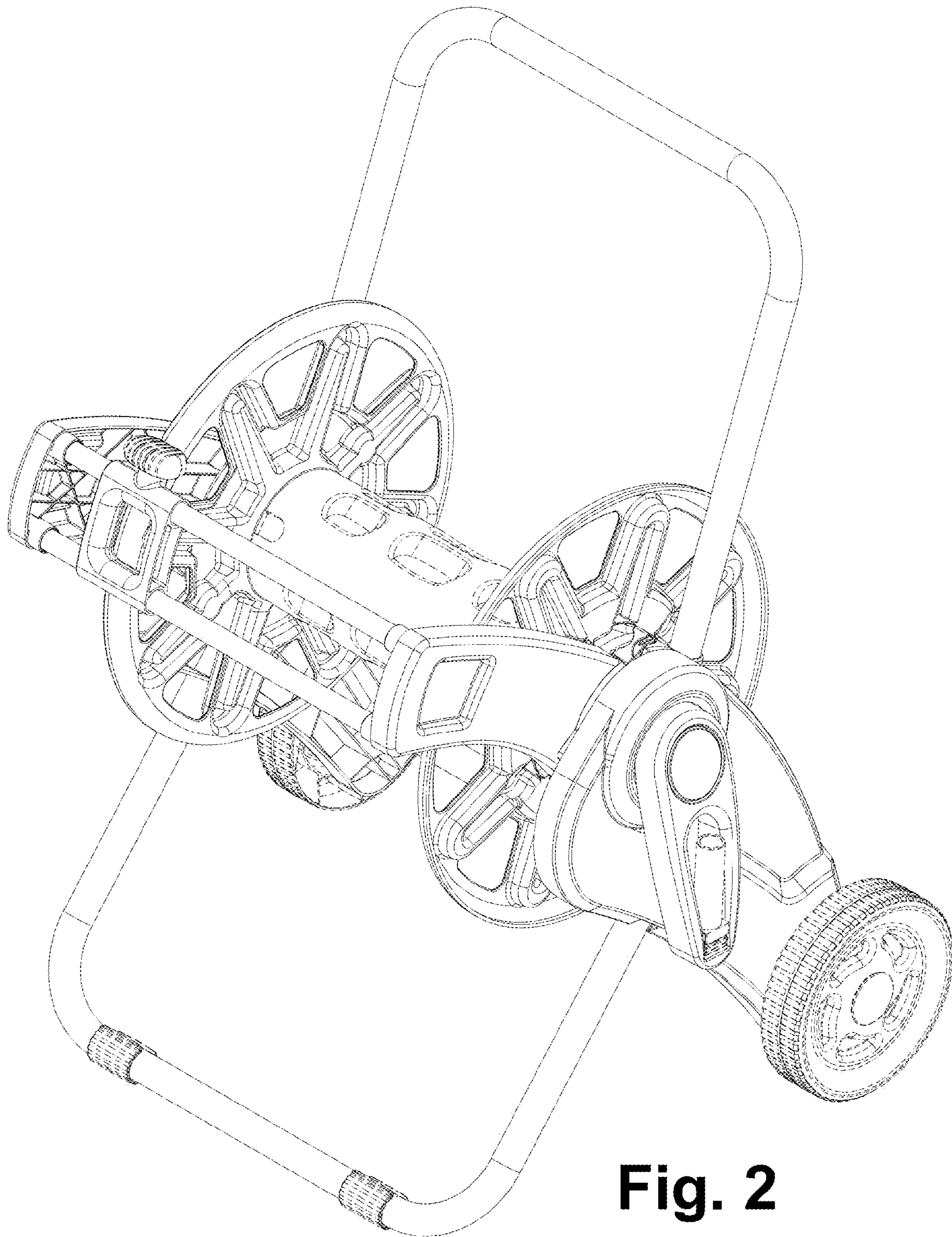
Liberty Garden Products, Date Visited: Oct. 20, 2021, Amazon,  
Date Available: Jun. 11, 2014, <https://www.amazon.co.uk/Liberty-708-708-Wheel-for-Tube/dp/B00GVE9XCK> (Year: 2014).\*

Suncast 125 ft. Slide Trak® Decorative Metal Wall Mount, Date  
Visited: Oct. 20, 2021, Walmart, Date Available: Feb. 21, 2020,  
<https://www.walmart.com/ip/Suncast-125-ft-Slide-Trak-Decorative-Metal-Wall-Mount-Garden-Hose-Reel-with-Shelf-Black/491634045> (Year: 2020).\*

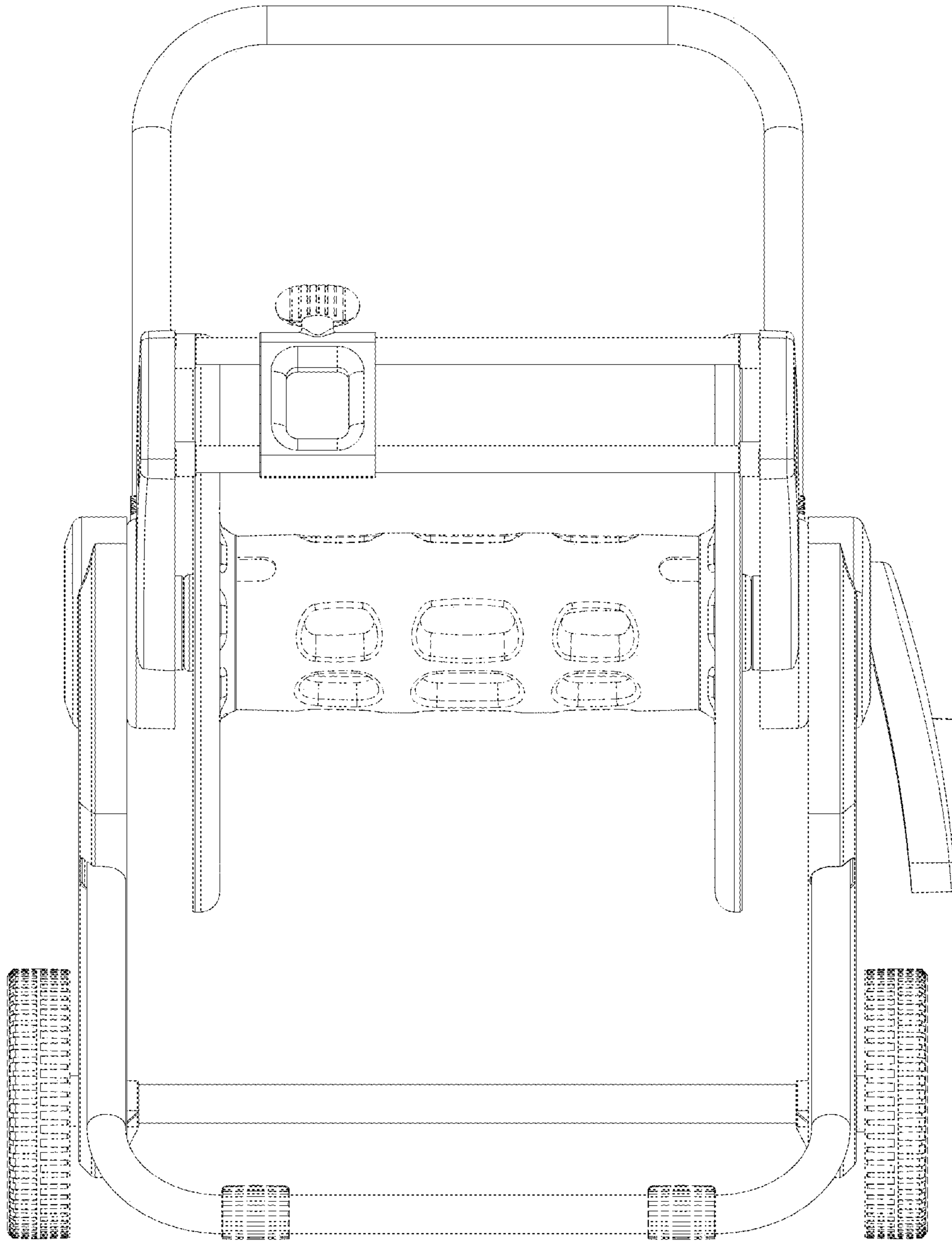
\* cited by examiner



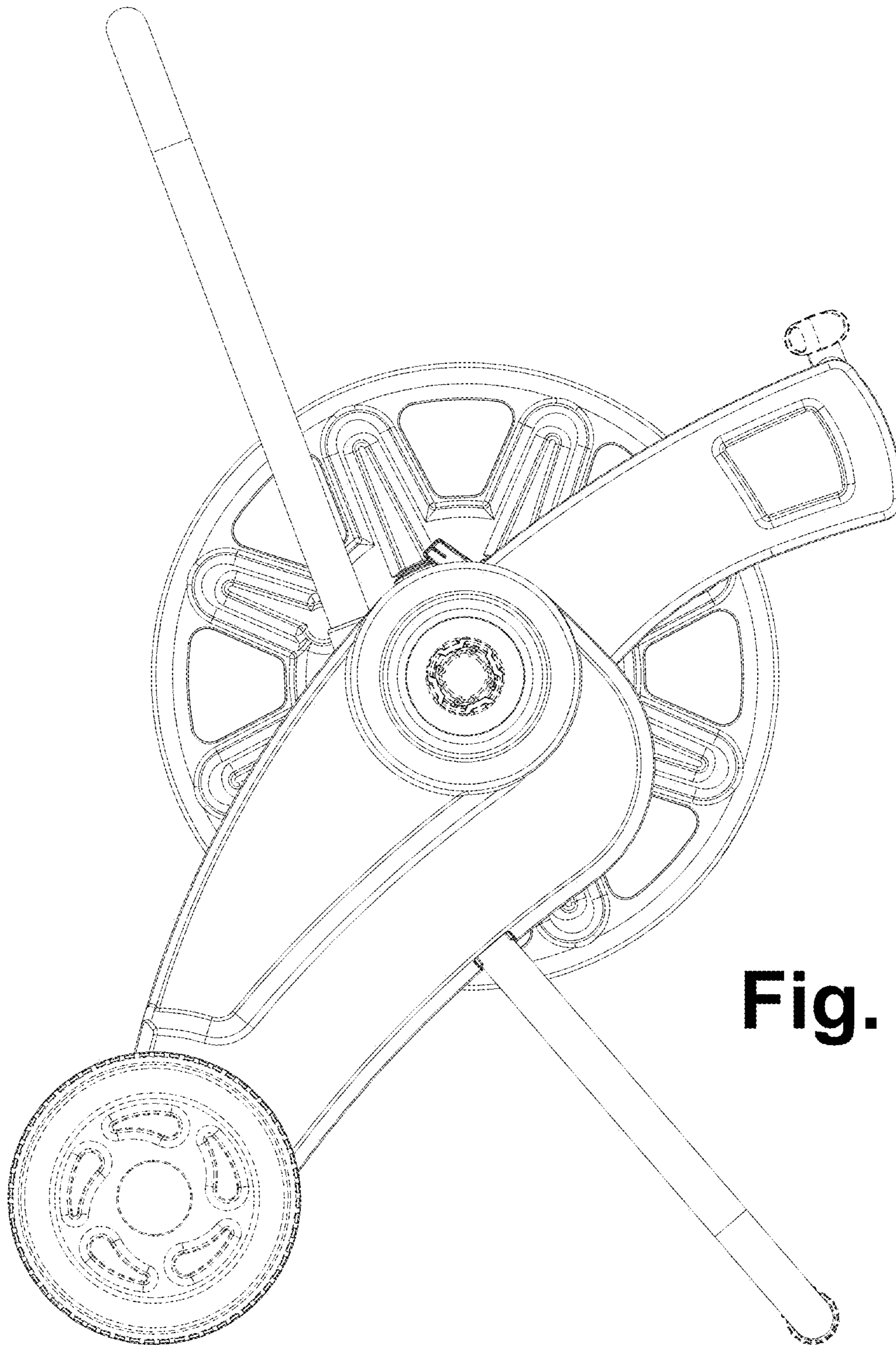
**Fig. 1**



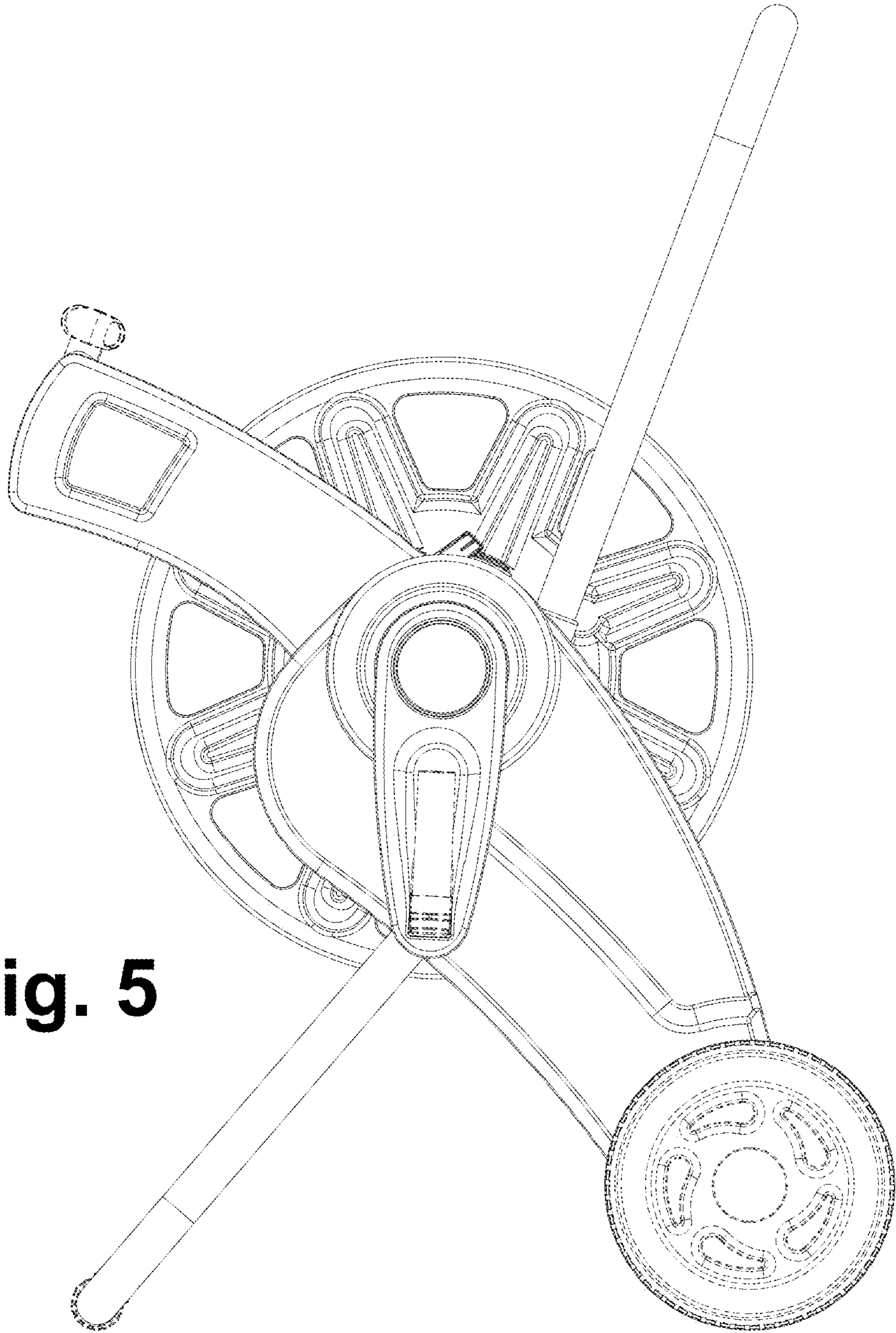
**Fig. 2**



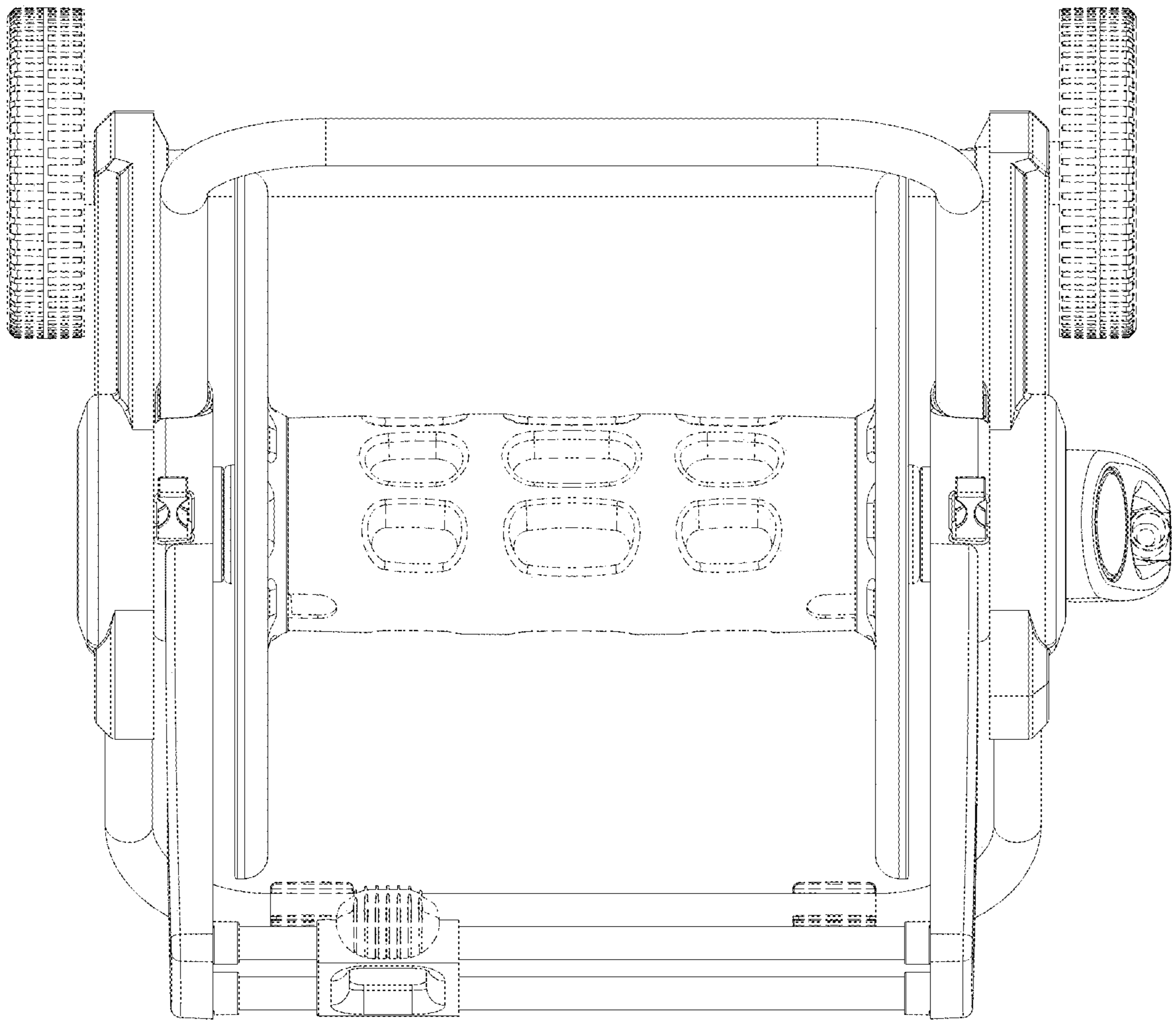
**Fig. 3**



**Fig. 4**

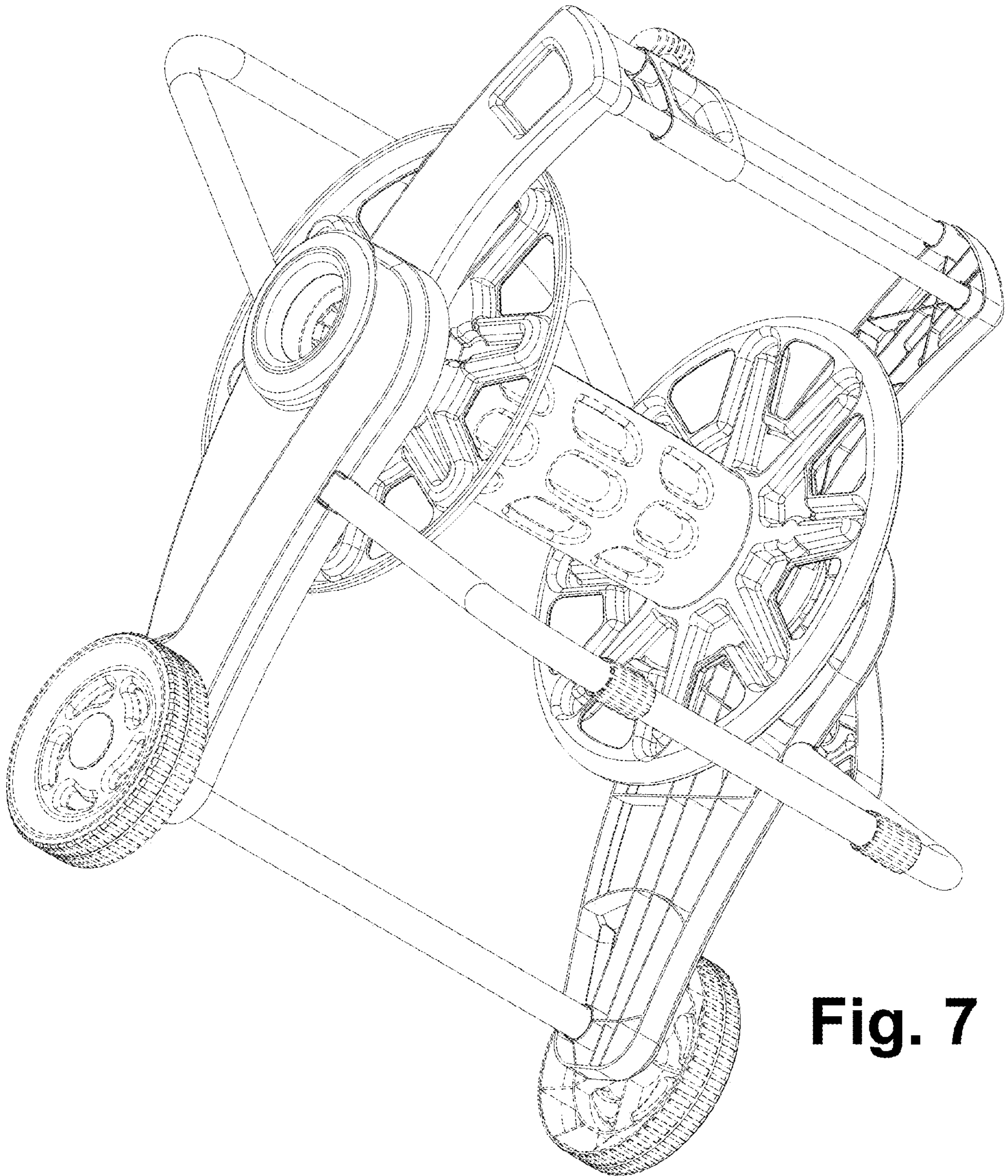


**Fig. 5**

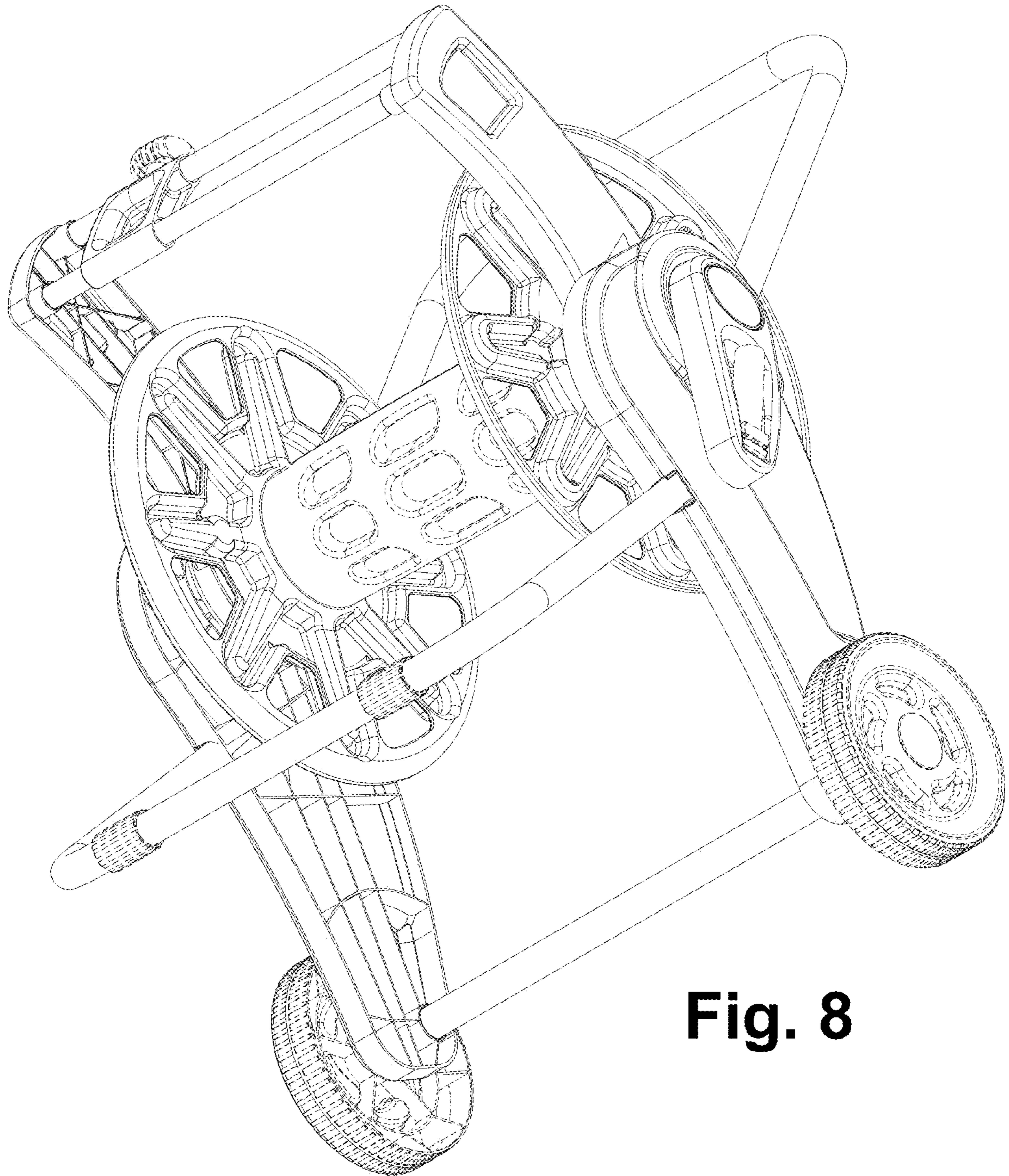


**Fig. 6**

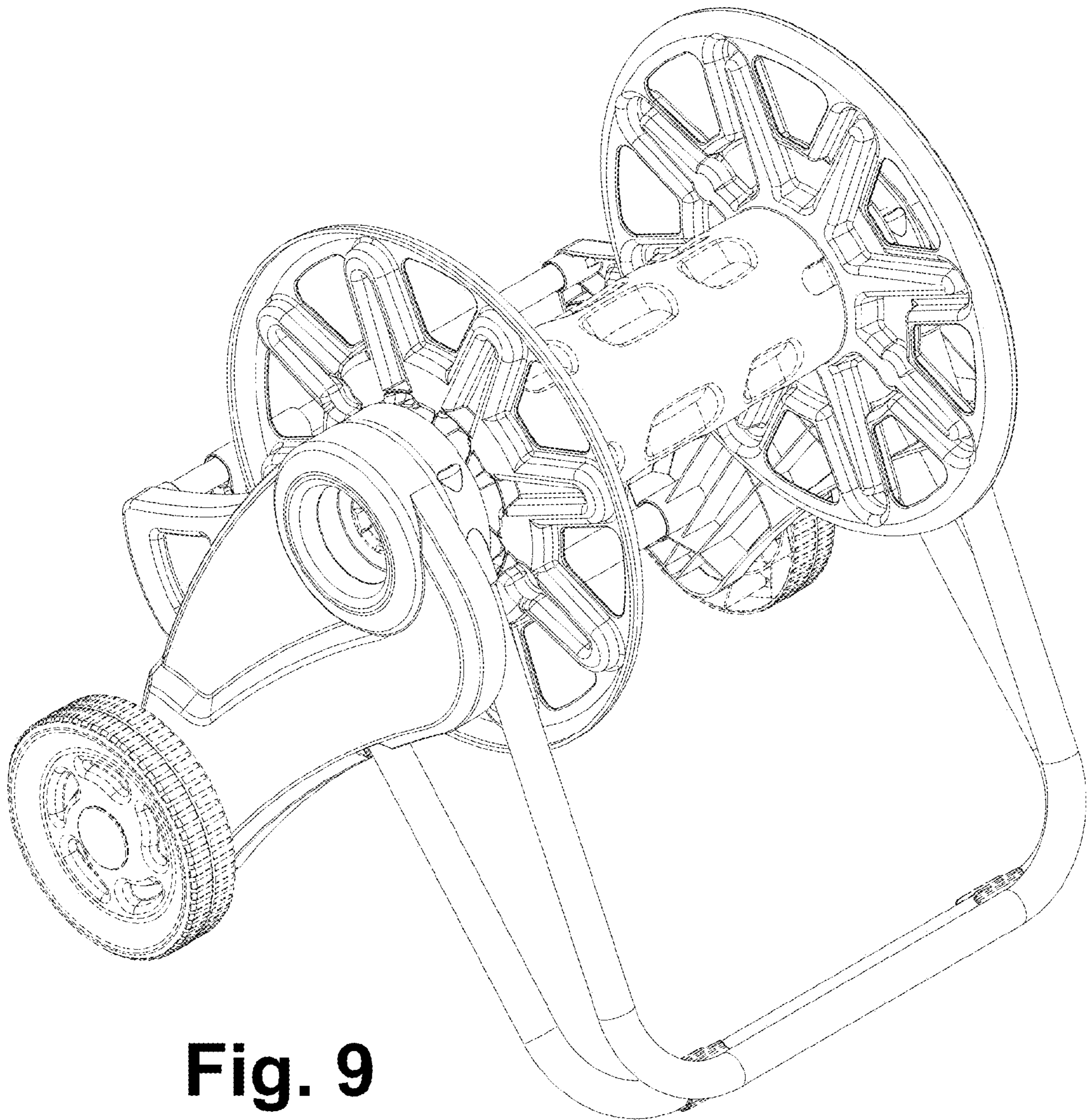




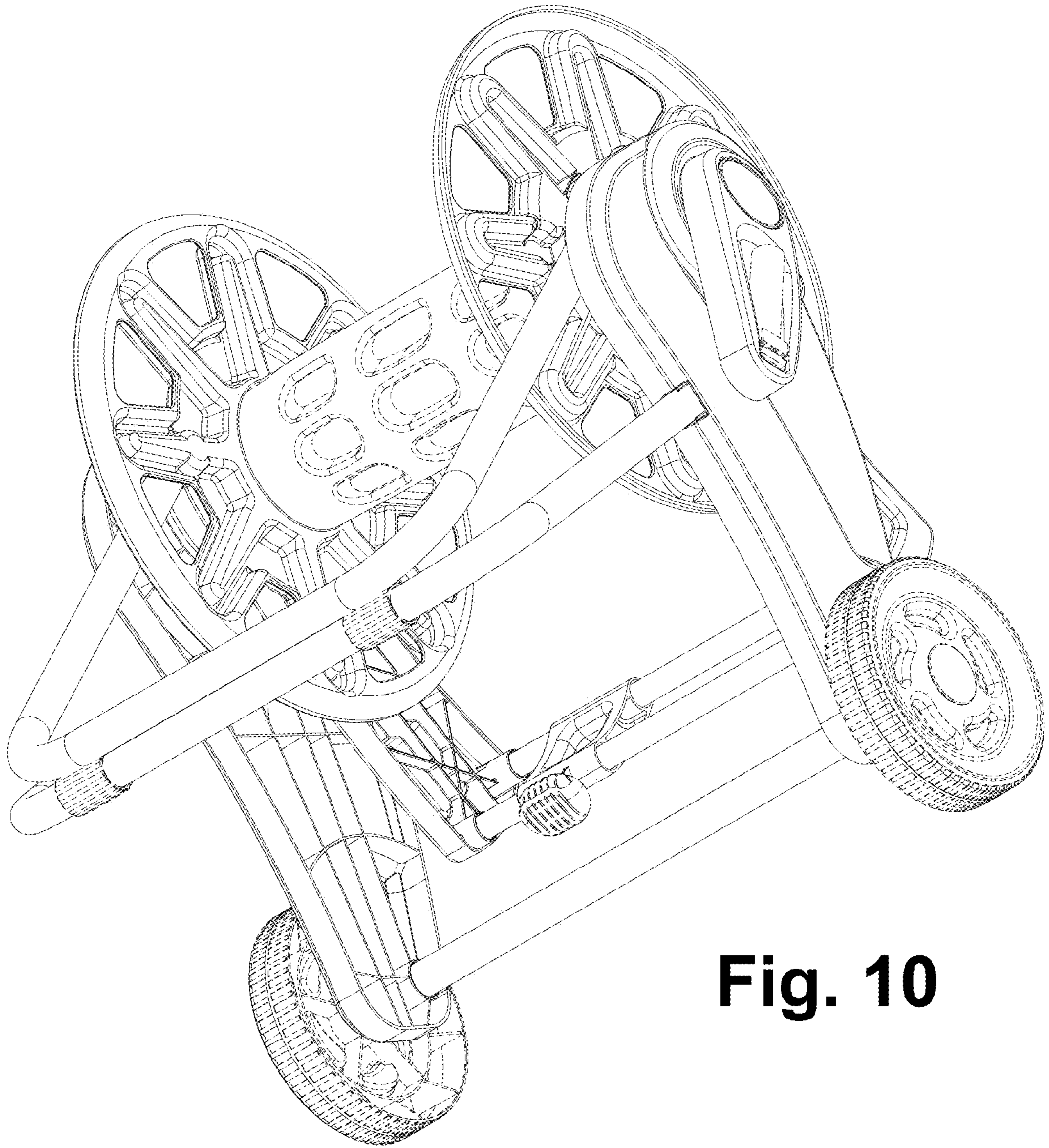
**Fig. 7**



**Fig. 8**



**Fig. 9**



**Fig. 10**