



US00D957914S

(12) **United States Design Patent**  
**Staley**

(10) **Patent No.:** **US D957,914 S**

(45) **Date of Patent:** **\*\* Jul. 19, 2022**

(54) **FRAMING BRACKET FOR HIP ROOF SYSTEMS**

(71) Applicant: **Scott Staley**, Jupiter, FL (US)

(72) Inventor: **Scott Staley**, Jupiter, FL (US)

(\*\*) Term: **15 Years**

(21) Appl. No.: **29/769,580**

(22) Filed: **Feb. 5, 2021**

(51) **LOC (13) Cl.** ..... **08-05**

(52) **U.S. Cl.**  
USPC ..... **D8/354**

(58) **Field of Classification Search**  
USPC ..... D8/354, 349, 353, 366; D25/133, 134,  
D25/136, 127  
CPC . E04B 7/045; B65D 2255/00; B65D 2590/02;  
B60P 7/0892  
See application file for complete search history.

(56) **References Cited**

U.S. PATENT DOCUMENTS

1,657,243	A	1/1928	Daniels	
3,333,875	A	8/1967	Tracy	
3,423,898	A	1/1969	Tracy et al.	
3,481,635	A	12/1969	Tracy	
4,229,915	A	10/1980	Snow et al.	
4,423,977	A	1/1984	Glib	
4,455,805	A *	6/1984	Rionda	E04B 1/2612 52/712
4,525,972	A *	7/1985	Palacio	F16B 9/052 52/643
4,560,301	A	12/1985	Glib	
4,964,253	A	10/1990	Loeffler	
5,004,369	A *	4/1991	Young	E04B 7/063 403/402
5,042,217	A	8/1991	Bugbee et al.	
5,217,317	A *	6/1993	Young	E04B 7/063 403/14
5,220,766	A	6/1993	Hills, Sr.	

5,230,198	A *	7/1993	Callies	E04B 7/045 52/696
5,253,465	A	10/1993	Glib	
5,380,116	A	1/1995	Colonias	
5,653,079	A *	8/1997	Loeffler	E04C 3/16 52/715
5,857,295	A *	1/1999	Mikawa	E04B 7/045 52/712
6,763,634	B1	7/2004	Thompson	
6,837,019	B2	1/2005	Collie	
D511,086	S *	11/2005	Craine	D8/354
D550,541	S *	9/2007	Blanchard	D8/382
7,434,361	B1 *	10/2008	Taylor	E04F 21/0015 52/745.15

(Continued)

*Primary Examiner* — Keli L Hill  
*Assistant Examiner* — Harold E Blackwell, II  
(74) *Attorney, Agent, or Firm* — John Rizvi; John Rizvi,  
P.A.—The Patent Professor®

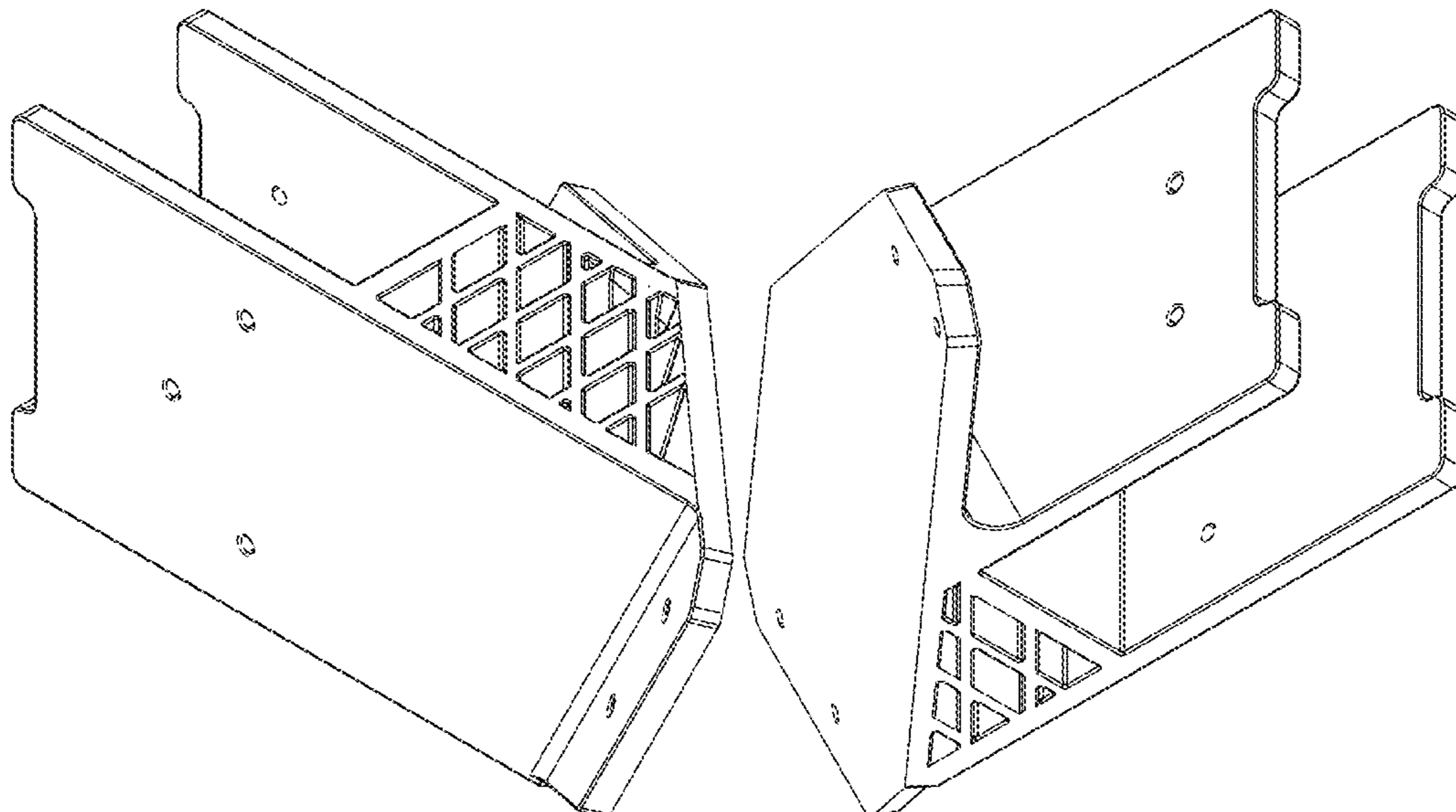
(57) **CLAIM**

I claim the ornamental design for a framing bracket for hip roof systems, as shown and described.

**DESCRIPTION**

FIG. 1 is a right side, top isometric view of a framing bracket for hip roof systems showing my new design; FIG. 2 is a left side, bottom isometric view thereof; FIG. 3 is a right side elevation view thereof; FIG. 4 is a left side elevation view thereof; FIG. 5 is a top plan view thereof; FIG. 6 is a bottom plan view thereof; FIG. 7 is a rear elevation view thereof; and, FIG. 8 is a front elevation view. The broken lines in the figures illustrate portions of the framing bracket for hip roof systems which form no part of the claimed design.

**1 Claim, 7 Drawing Sheets**



(56)

**References Cited**

U.S. PATENT DOCUMENTS

7,454,872 B2 \* 11/2008 Cutforth ..... E02D 27/16  
52/297  
7,971,410 B2 \* 7/2011 Jerke ..... E04H 9/14  
52/703  
9,650,780 B2 \* 5/2017 Tan ..... E04B 1/2608  
10,100,508 B1 \* 10/2018 Fox ..... E04B 1/2604  
10,202,766 B1 \* 2/2019 Fox ..... E04B 7/063  
10,309,095 B2 6/2019 Hildestad et al.  
2004/0206031 A1 10/2004 Mow  
2005/0005563 A1 1/2005 Horne  
2008/0237421 A1 10/2008 Szpotowski  
2008/0282641 A1 \* 11/2008 Sackett ..... E04B 7/045  
52/715  
2010/0043341 A1 2/2010 Staley  
2016/0168840 A1 \* 6/2016 Monty ..... E04C 3/02  
52/261

\* cited by examiner

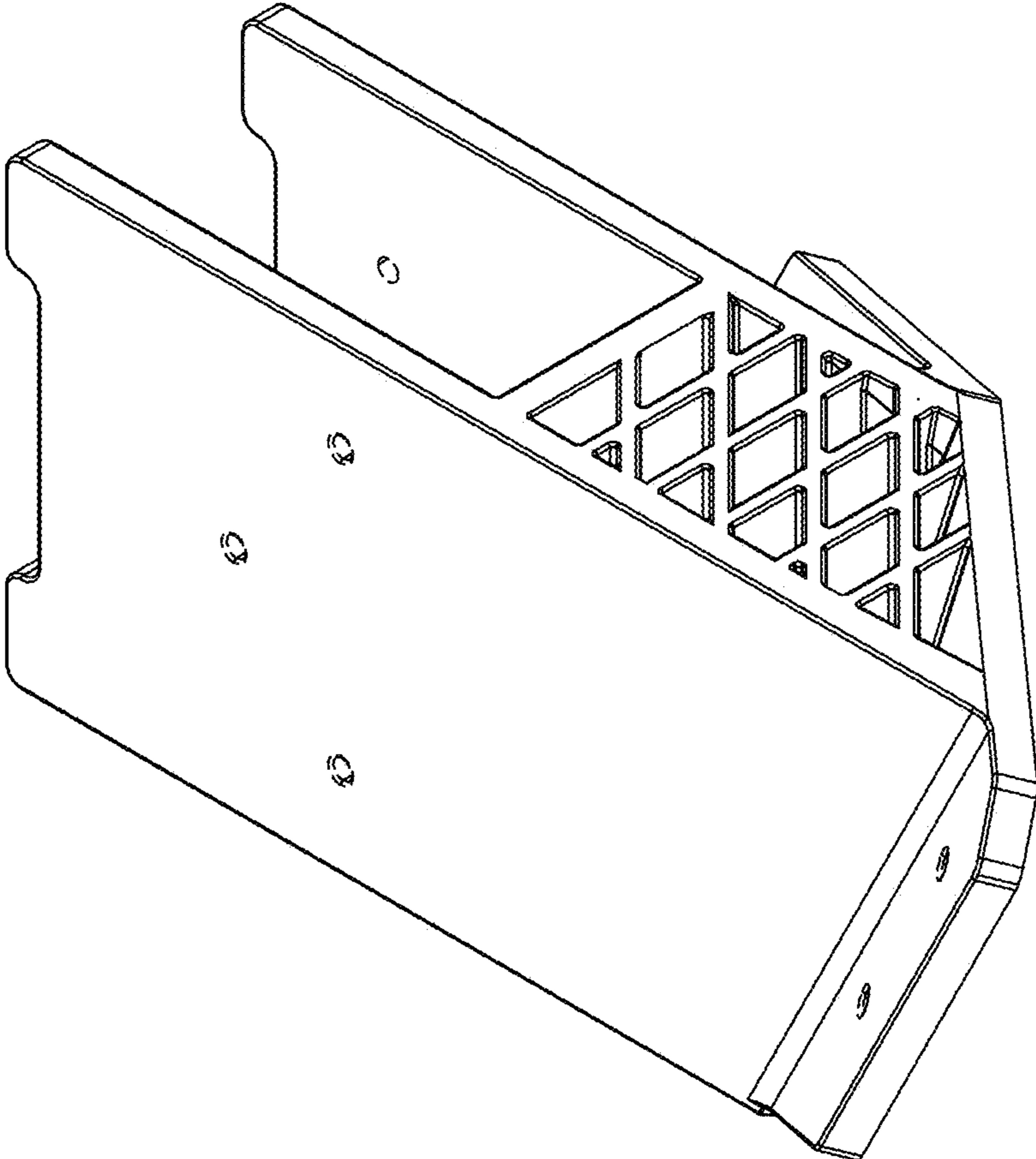


FIG. 1

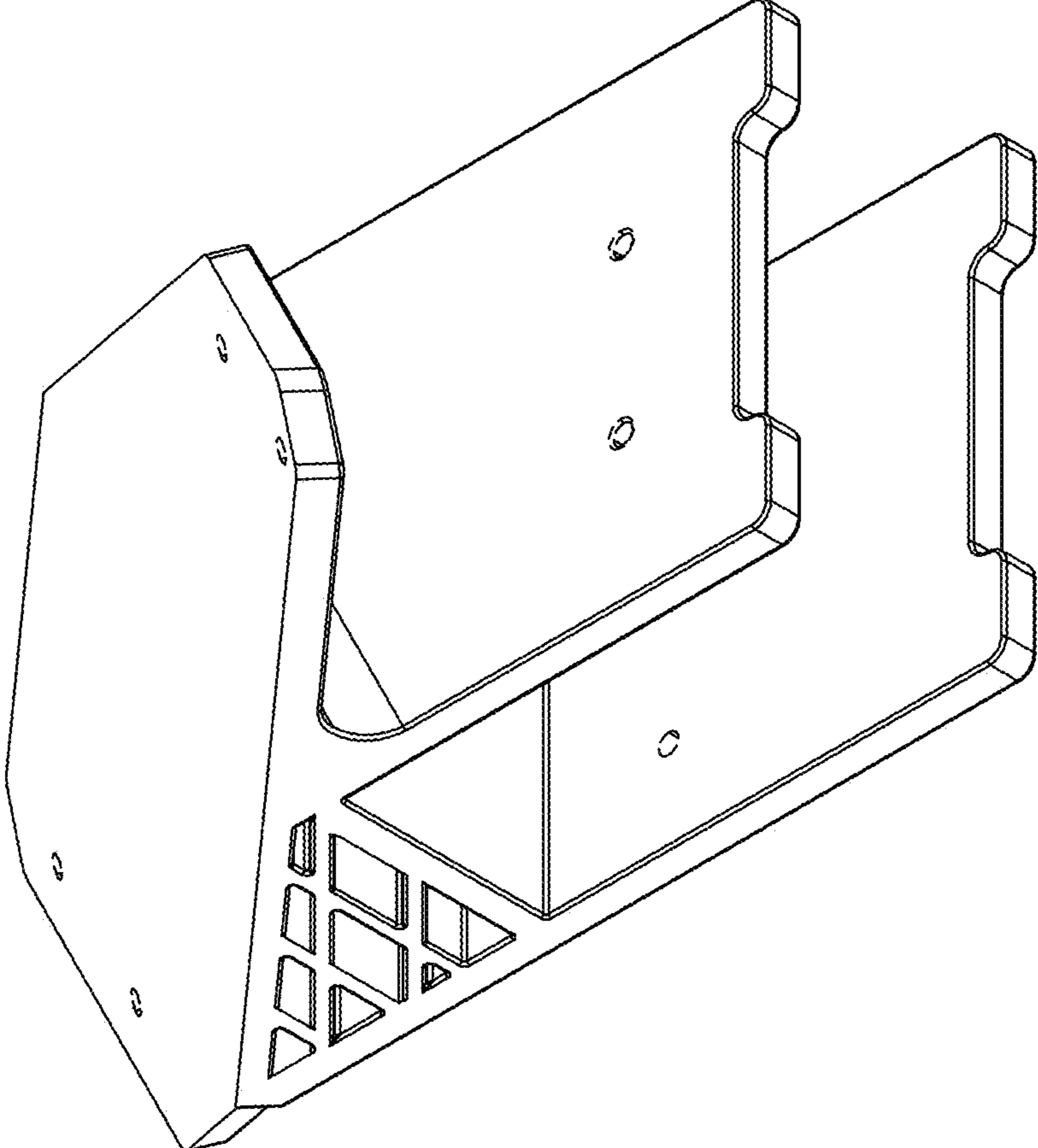


FIG. 2

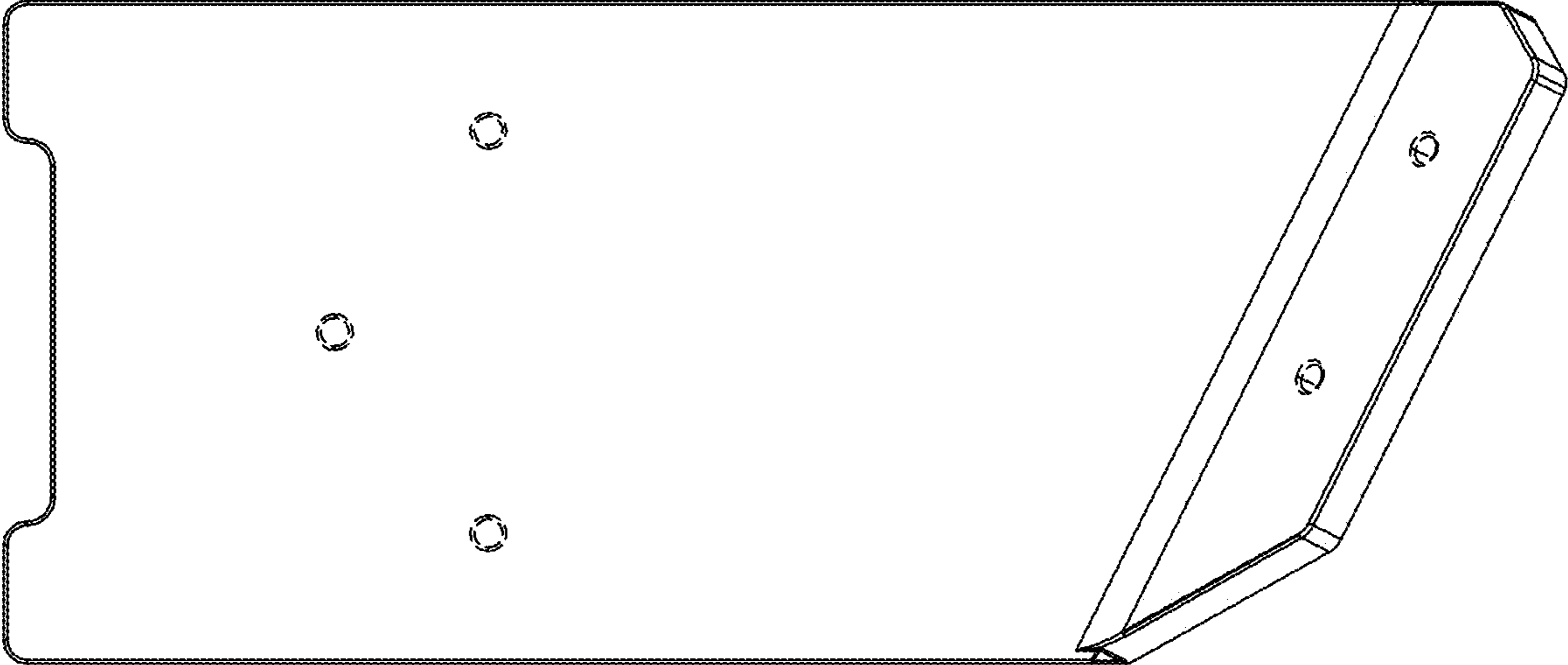


FIG. 3

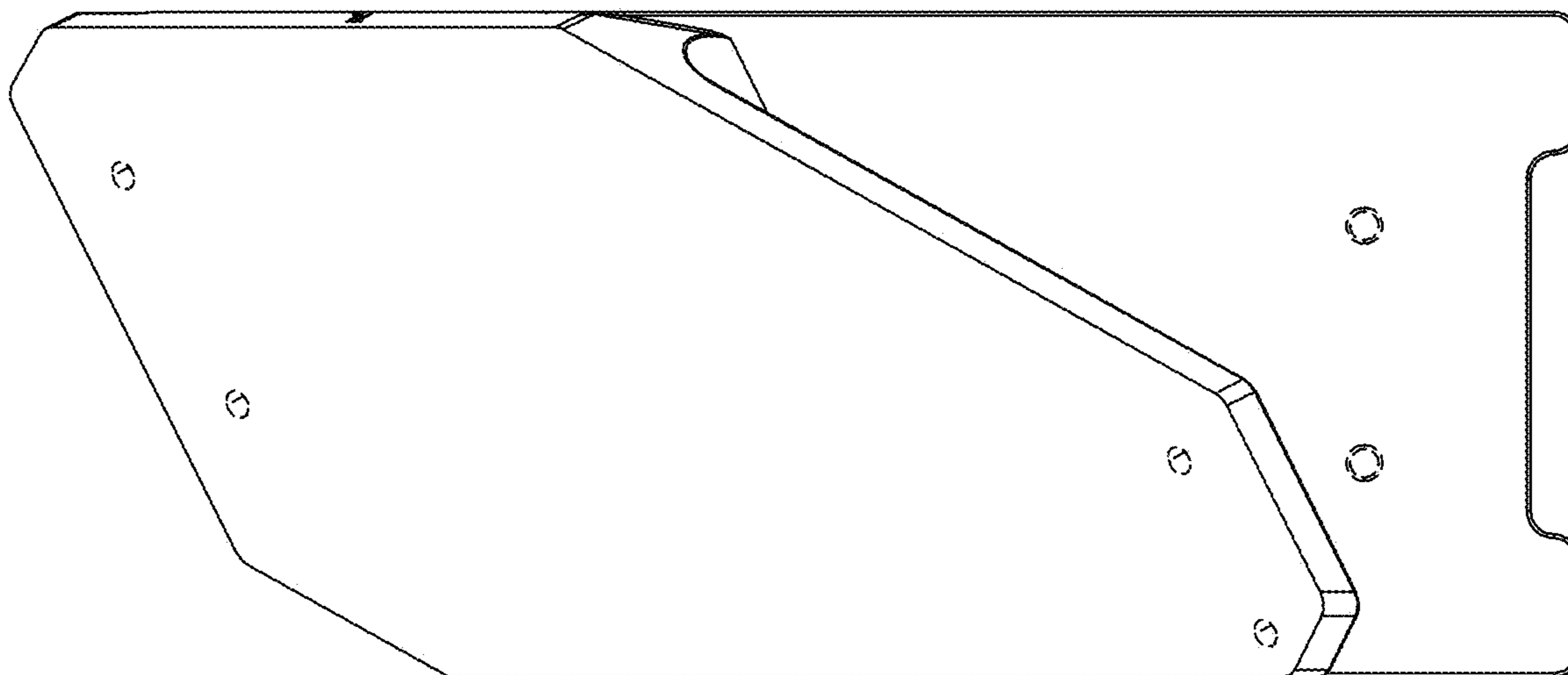


FIG. 4

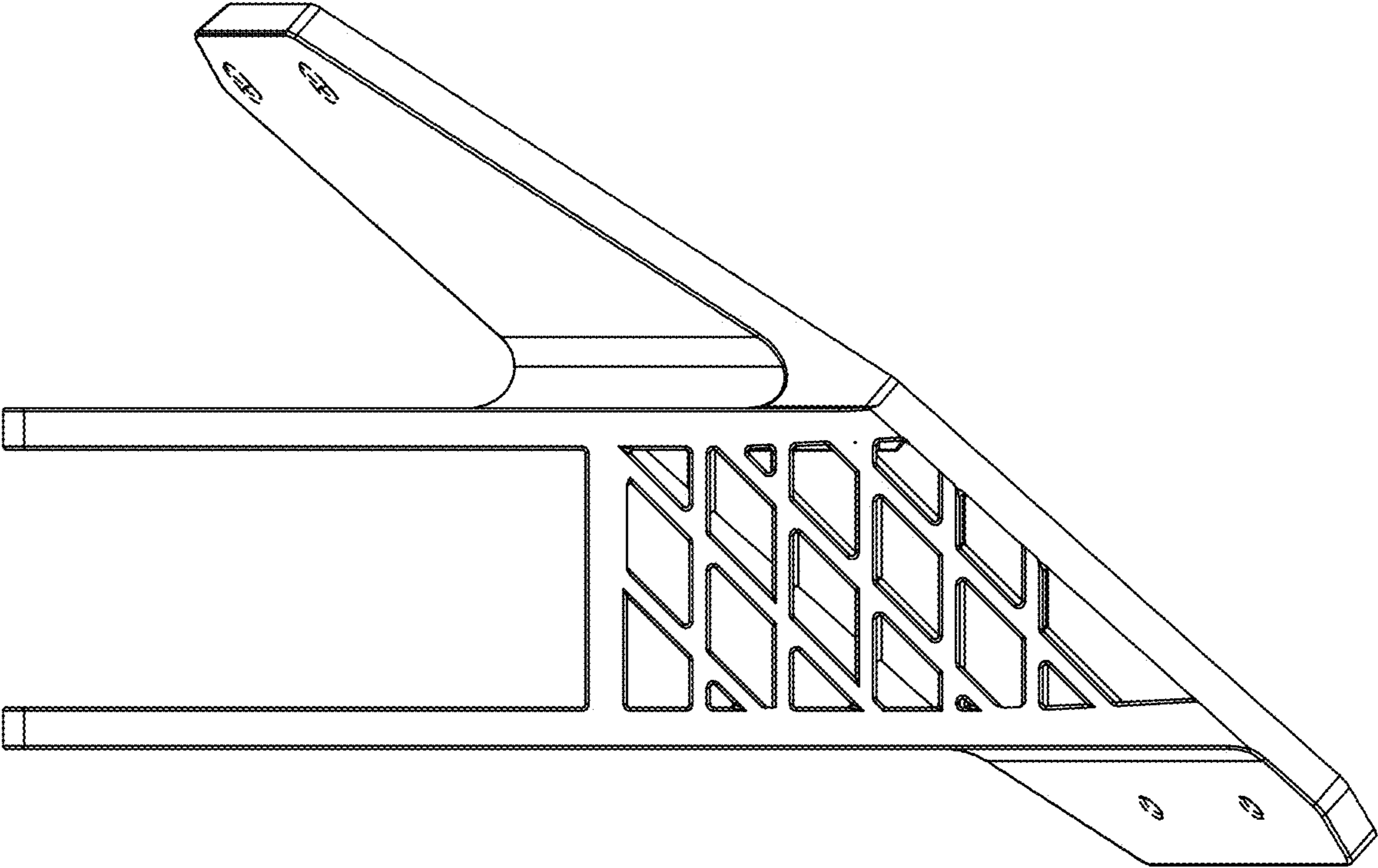


FIG. 5

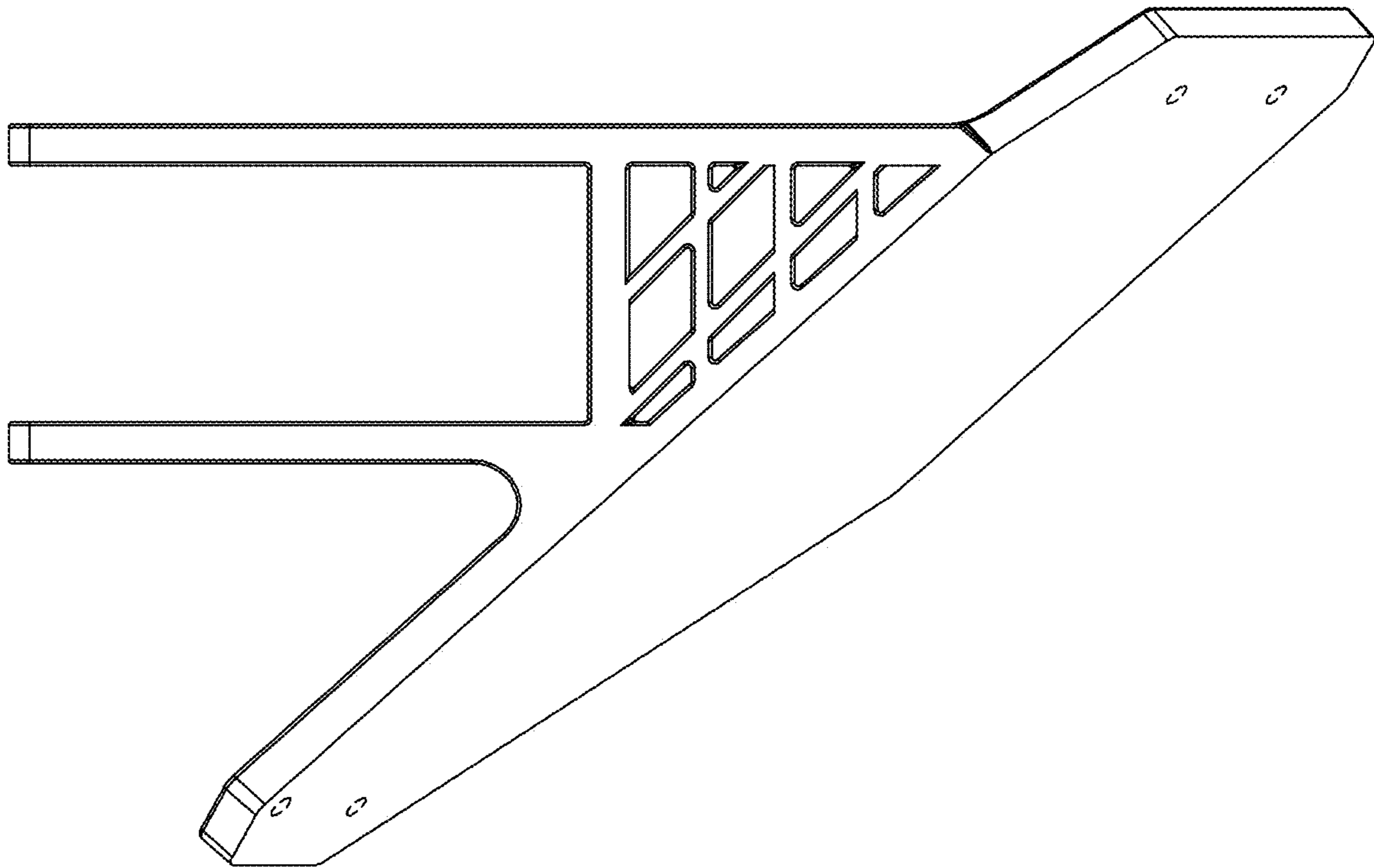


FIG. 6



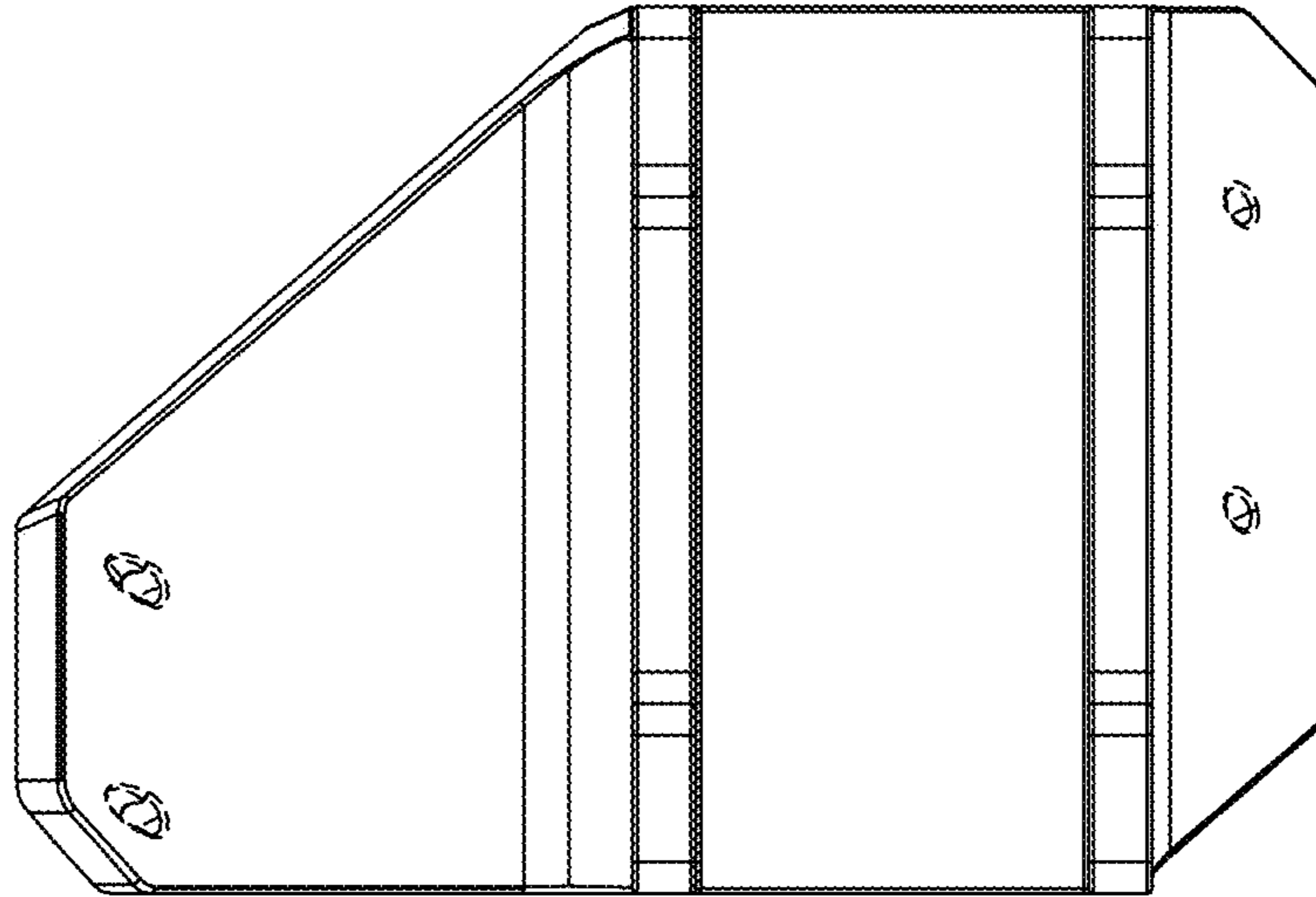


FIG. 7

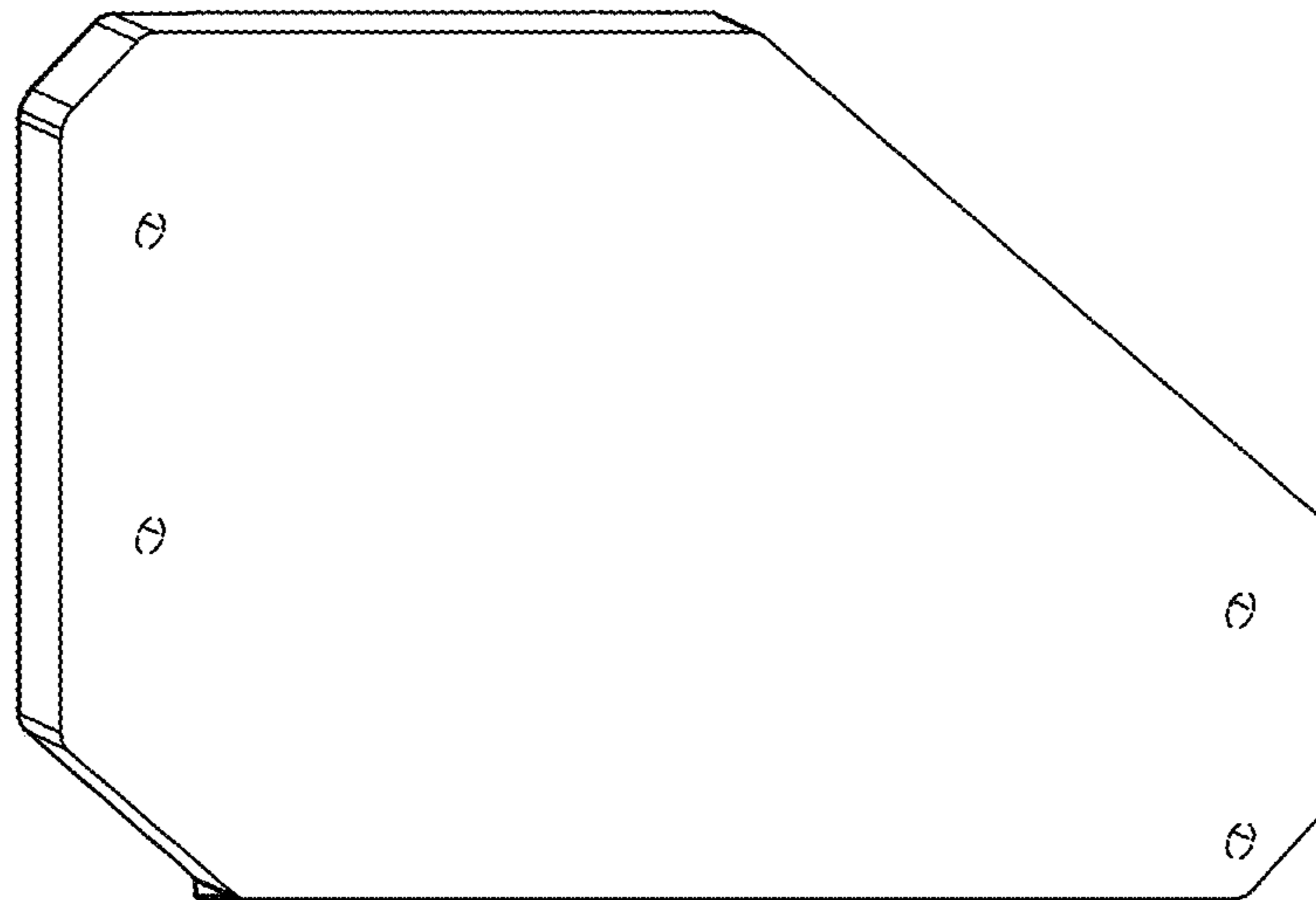


FIG. 8