



US00D957911S

(12) **United States Design Patent**
Molloy et al.

(10) **Patent No.:** **US D957,911 S**
(45) **Date of Patent:** **** Jul. 19, 2022**

(54) **WINDOW FASTENER**

(71) Applicant: **ASSA ABLOY New Zealand Limited**,
North Shore (NZ)
(72) Inventors: **Bryce Alan Molloy**, Auckland (NZ);
Lewis Joseph Isaacson, Auckland (NZ)
(73) Assignee: **ASSA ABLOY New Zealand Limited**,
North Shore (NZ)

(**) Term: **15 Years**
(21) Appl. No.: **29/817,591**
(22) Filed: **Dec. 2, 2021**

Related U.S. Application Data

(62) Division of application No. 29/684,444, filed on Mar. 21, 2019.

(30) **Foreign Application Priority Data**

Sep. 27, 2018 (NZ) 425024
(51) **LOC (13) Cl.** **08-07**
(52) **U.S. Cl.**
USPC **D8/337**
(58) **Field of Classification Search**
USPC D8/300-302, 307-309, 310, 311, 331,
D8/336, 337, 343, 400

(Continued)

(56) **References Cited**

U.S. PATENT DOCUMENTS

D296,982 S 8/1988 White et al.
5,219,193 A 6/1993 Piltingsrud
(Continued)

FOREIGN PATENT DOCUMENTS

CN 103422720 12/2013
WO WO 2008/118028 10/2008

OTHER PUBLICATIONS

International Search Report for International (PCT) Patent Application No. PCT/NZ2018/050129, dated Jan. 16, 2019, 5 pages.
(Continued)

Primary Examiner — Lauren R Calve
(74) *Attorney, Agent, or Firm* — Sheridan Ross P.C.

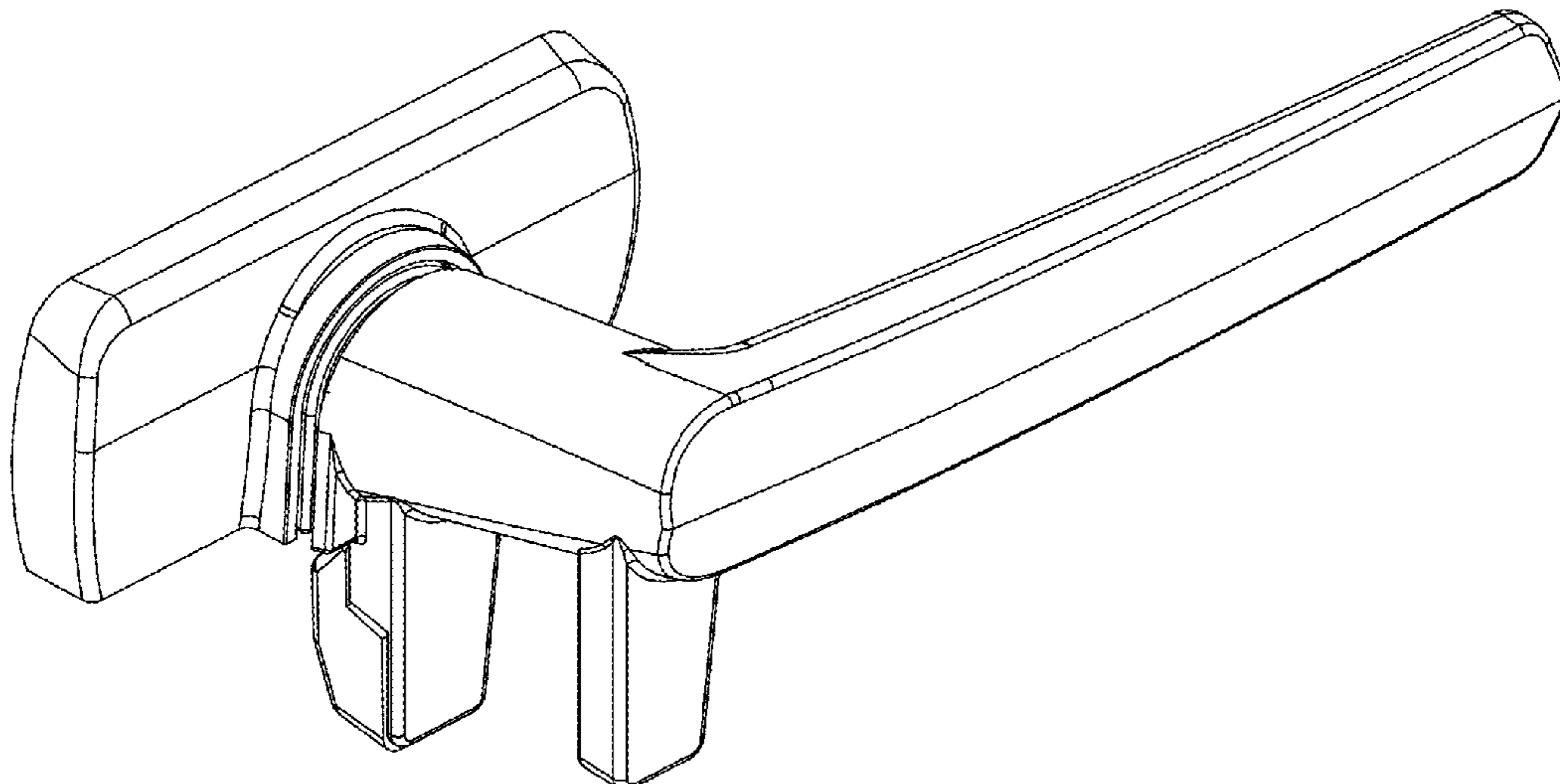
(57) **CLAIM**

The ornamental design for a window fastener, as shown and described.

DESCRIPTION

FIG. 1 is a top-left front isometric view of a window fastener;
FIG. 2 is a top view of the window fastener of FIG. 1;
FIG. 3 is a top-right front isometric view of the window fastener of FIG. 1;
FIG. 4 is a top-right rear isometric view of the window fastener of FIG. 1;
FIG. 5 is a top-left rear isometric view of the window fastener of FIG. 1;
FIG. 6 is a left view of the window fastener of FIG. 1;
FIG. 7 is a front view of the window fastener of FIG. 1;
FIG. 8 is a right view of the window fastener of FIG. 1;
FIG. 9 is a rear view of the window fastener of FIG. 1;
FIG. 10 is a bottom-left front isometric view of the window fastener of FIG. 1;
FIG. 11 is a bottom view of the window fastener of FIG. 1;
FIG. 12 is a bottom-right rear isometric view of the window fastener of FIG. 1;
FIG. 13 is a bottom-right rear isometric view of the window fastener of FIG. 1; and,
FIG. 14 is a bottom-left rear isometric view of the window fastener of FIG. 1.

1 Claim, 14 Drawing Sheets



(58) **Field of Classification Search**
 CPC E05Y 2900/148; E05Y 2900/55; E05F
 2700/04; E05F 11/00; E05C 17/443;
 E05C 17/345; E05C 3/041
 See application file for complete search history.

(56) **References Cited**

U.S. PATENT DOCUMENTS

D369,290 S * 4/1996 Subliskey D8/337
 5,769,469 A 6/1998 Zemke
 5,887,916 A 3/1999 Finkelstein et al.
 D418,737 S 1/2000 Libby et al.
 6,412,834 B1 7/2002 Waitai et al.
 7,000,957 B2 2/2006 Lawrence
 7,100,951 B2 9/2006 Jien
 D572,112 S 7/2008 Schlumbom
 7,510,221 B2 3/2009 Eenigenburg et al.
 D597,398 S * 8/2009 Jones D8/331
 7,665,775 B1 2/2010 Miller et al.
 7,922,223 B2 4/2011 Lawrence
 8,205,919 B2 6/2012 Flory
 8,205,920 B2 * 6/2012 Flory E05B 13/004
 292/241
 8,272,164 B2 * 9/2012 Albrecht E05C 1/10
 49/185
 D687,288 S * 8/2013 Lawrence D8/331
 8,807,607 B2 * 8/2014 Glickman E05B 15/0053
 292/241
 9,482,032 B2 * 11/2016 Bedoian E05B 45/06

D787,915 S 5/2017 Hollmann
 10,633,897 B2 4/2020 Liang et al.
 D904,856 S 12/2020 Molloy et al.
 D922,855 S 6/2021 Molloy et al.
 11,168,492 B1 * 11/2021 Liang E05B 65/0841
 11,187,010 B1 * 11/2021 Liang E05B 17/2084
 2003/0057717 A1 * 3/2003 Murphy E05B 65/0835
 292/241
 2004/0026932 A1 2/2004 Coleman et al.
 2007/0085350 A1 * 4/2007 Liang E05B 41/00
 292/240
 2007/0170729 A1 * 7/2007 Kaiser E05B 47/0012
 292/251.5
 2012/0313387 A1 * 12/2012 Liang E05B 15/004
 292/224
 2018/0230710 A1 * 8/2018 Liang E05B 65/0841
 2020/0270917 A1 8/2020 Molloy et al.
 2020/0300007 A1 9/2020 Capoferri
 2021/0156182 A1 5/2021 Rickenbaugh et al.

OTHER PUBLICATIONS

English Translation of Official Action for Japan Patent Application
 No. 2019-006328, dated Oct. 11, 2019, 2 pages.
 Official Action for U.S. Appl. No. 29/684,444, dated Sep. 23, 2021
 6 pages Restriction Requirement.
 Official Action for U.S. Appl. No. 29/684,444, dated Dec. 2, 2021
 5 pages.

* cited by examiner

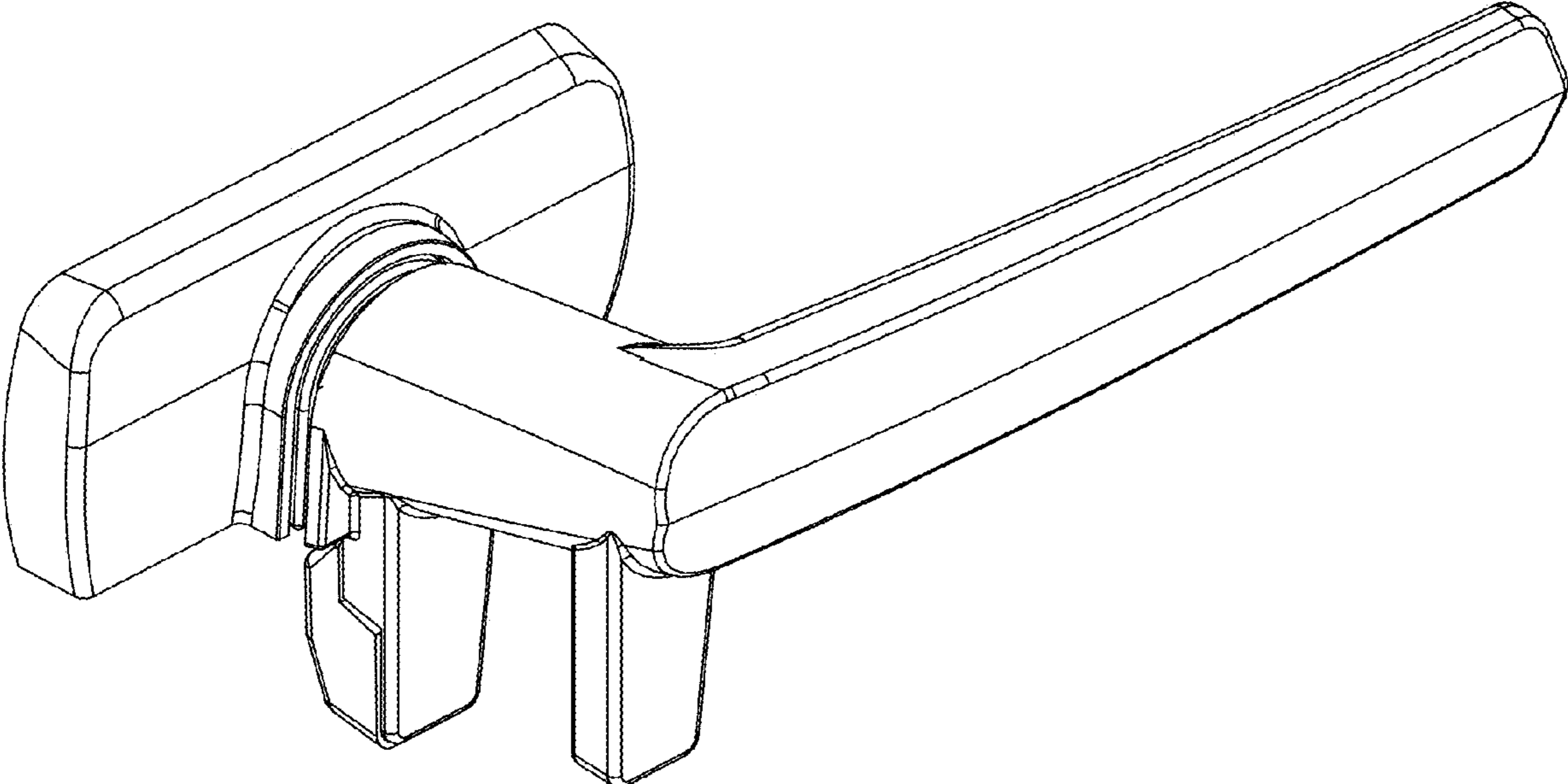


FIG. 1

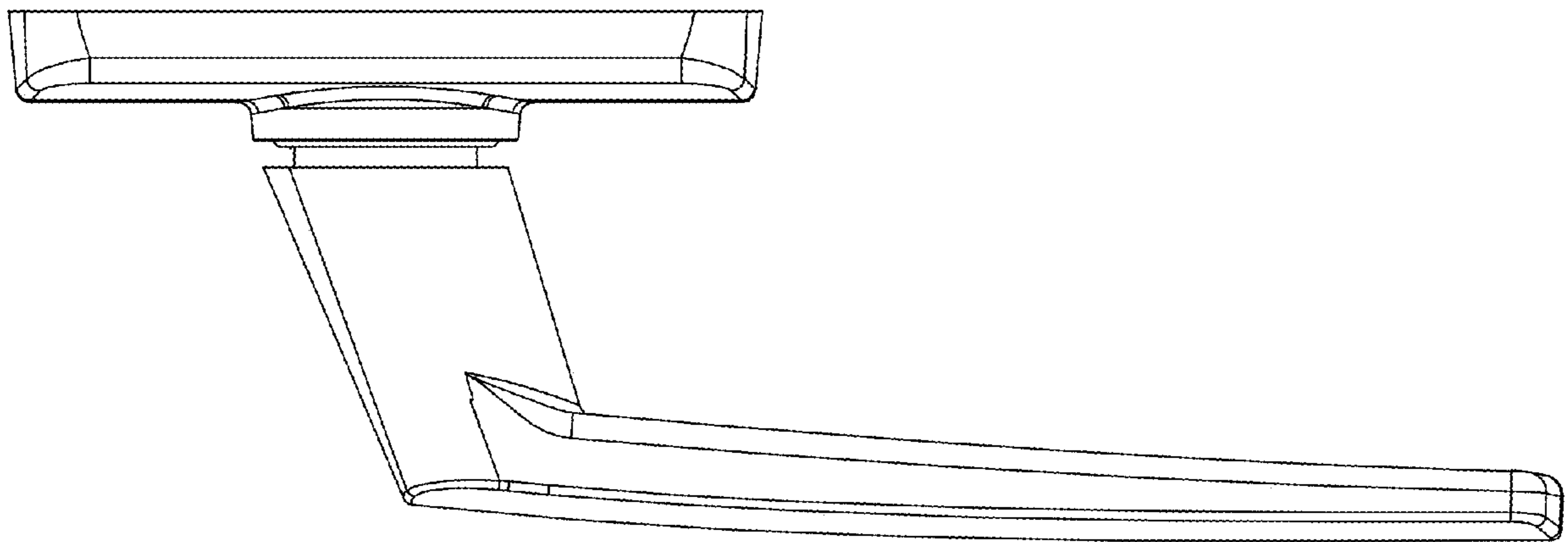


FIG. 2

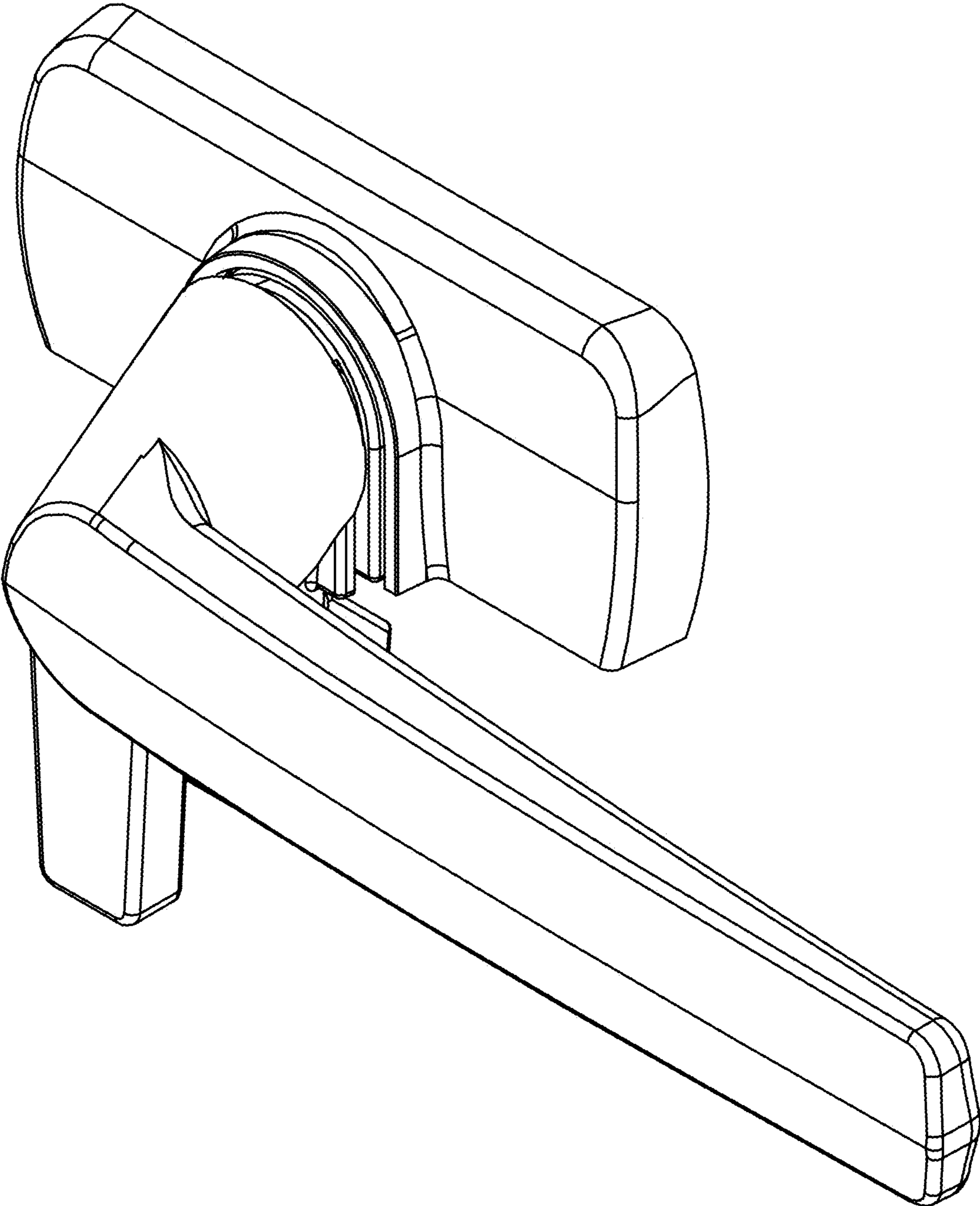


FIG. 3

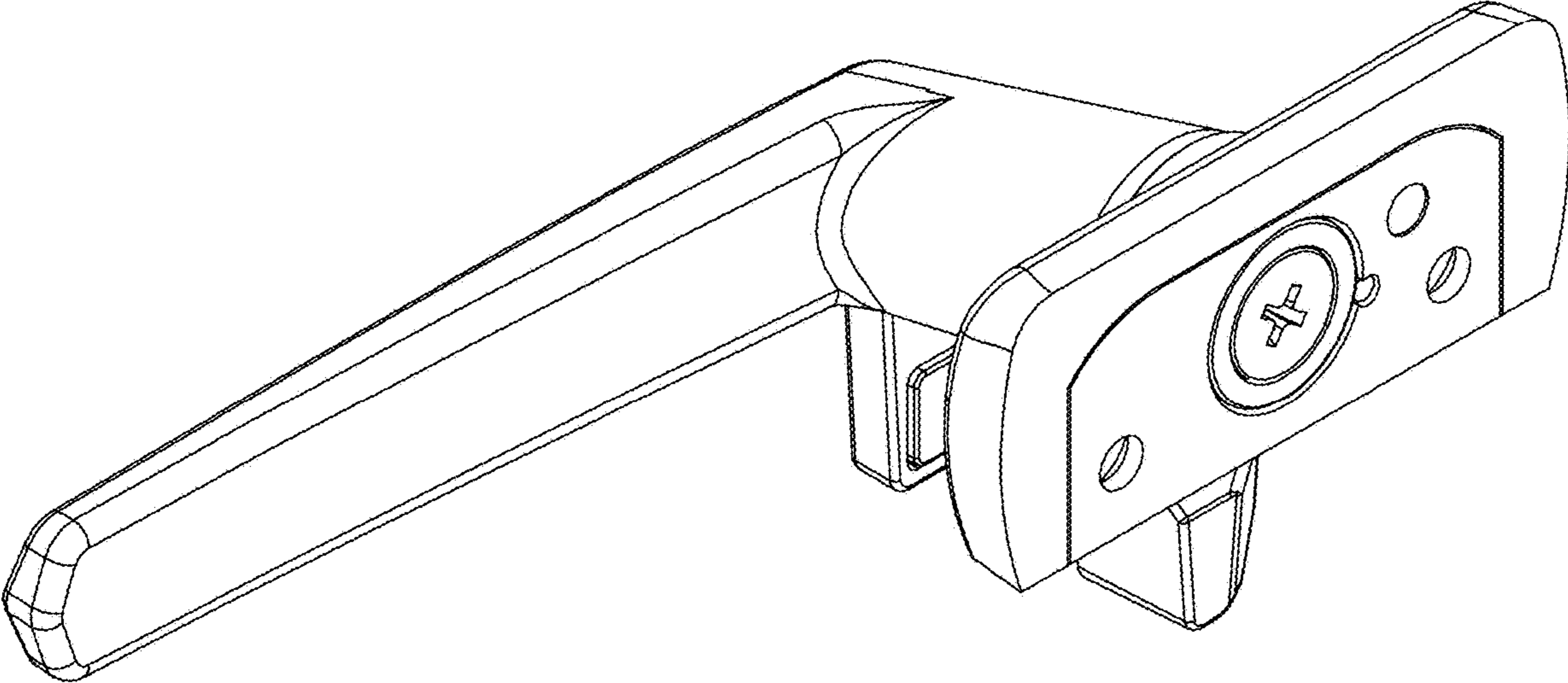


FIG. 4

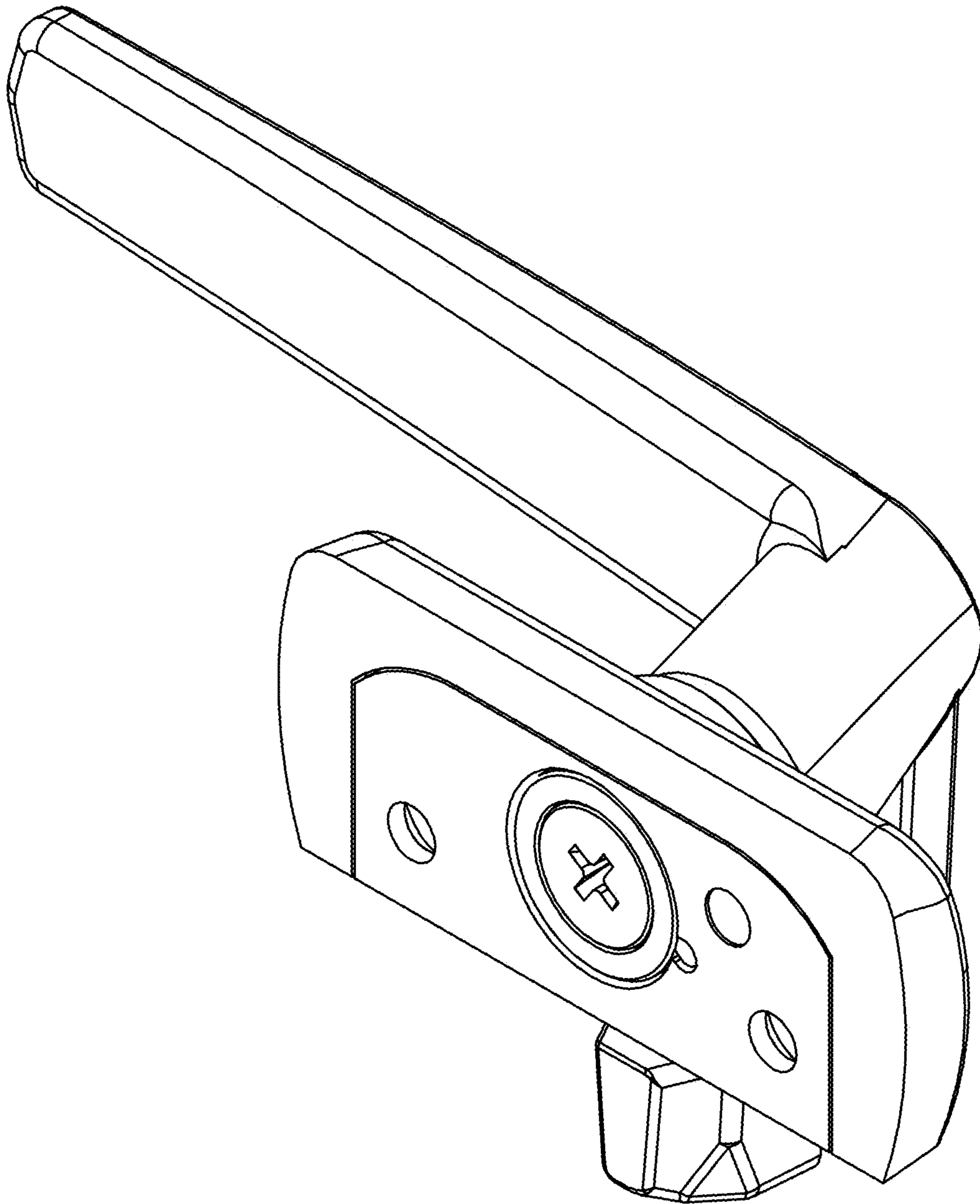


FIG. 5

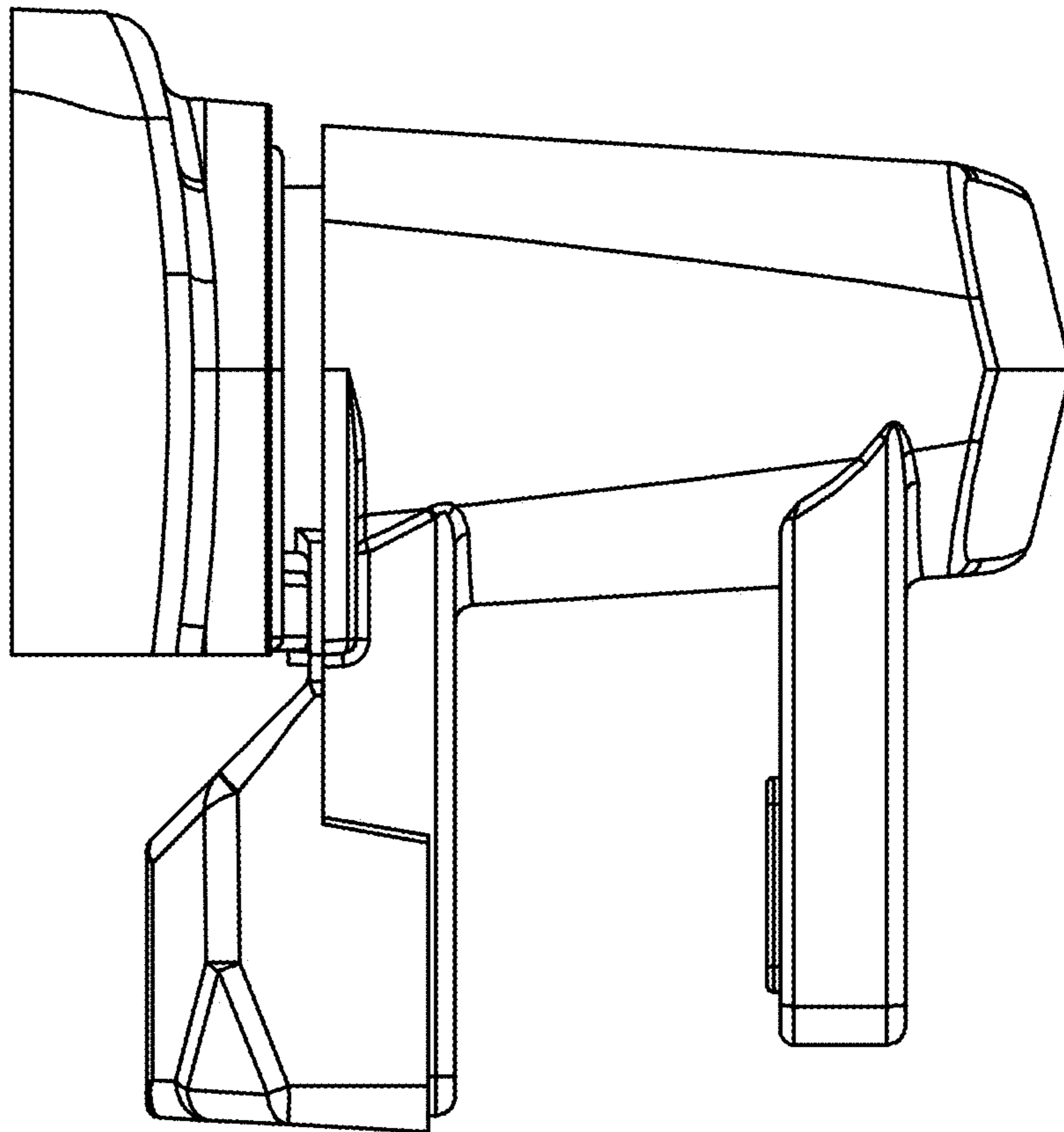


FIG. 6

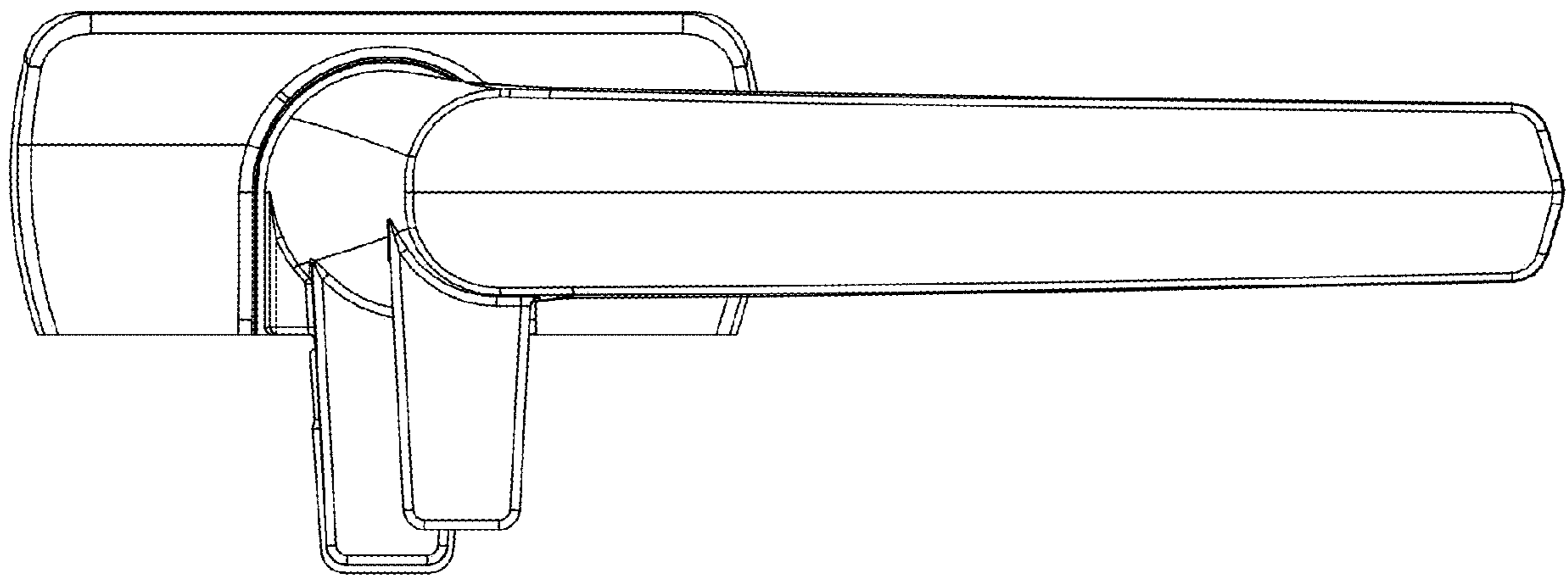


FIG. 7

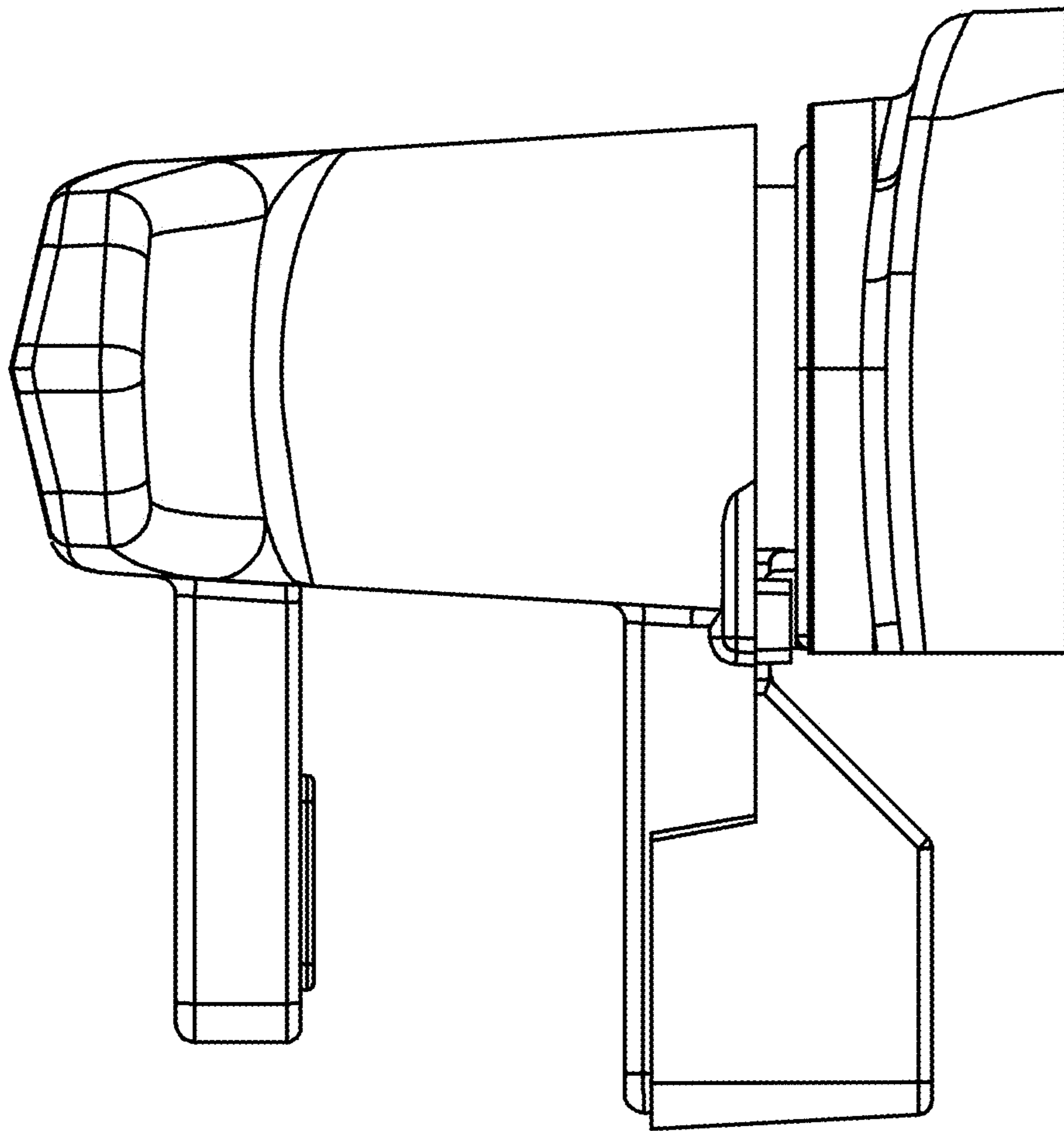


FIG. 8

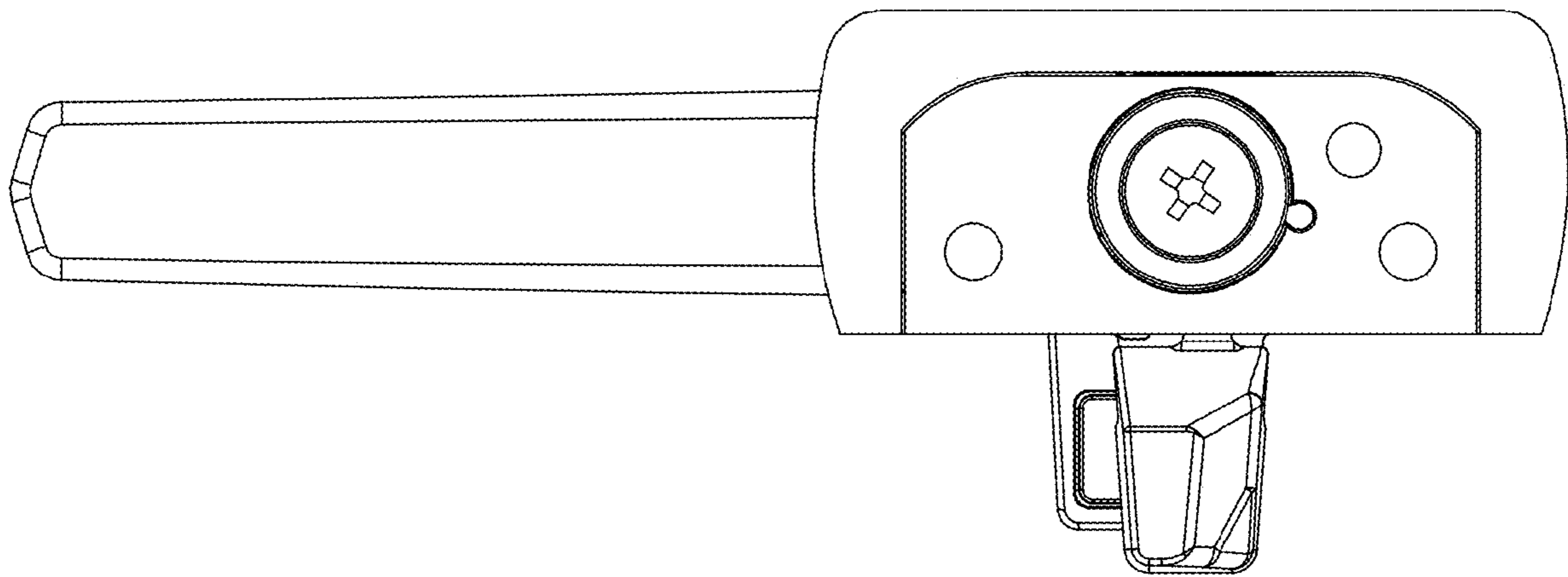


FIG. 9

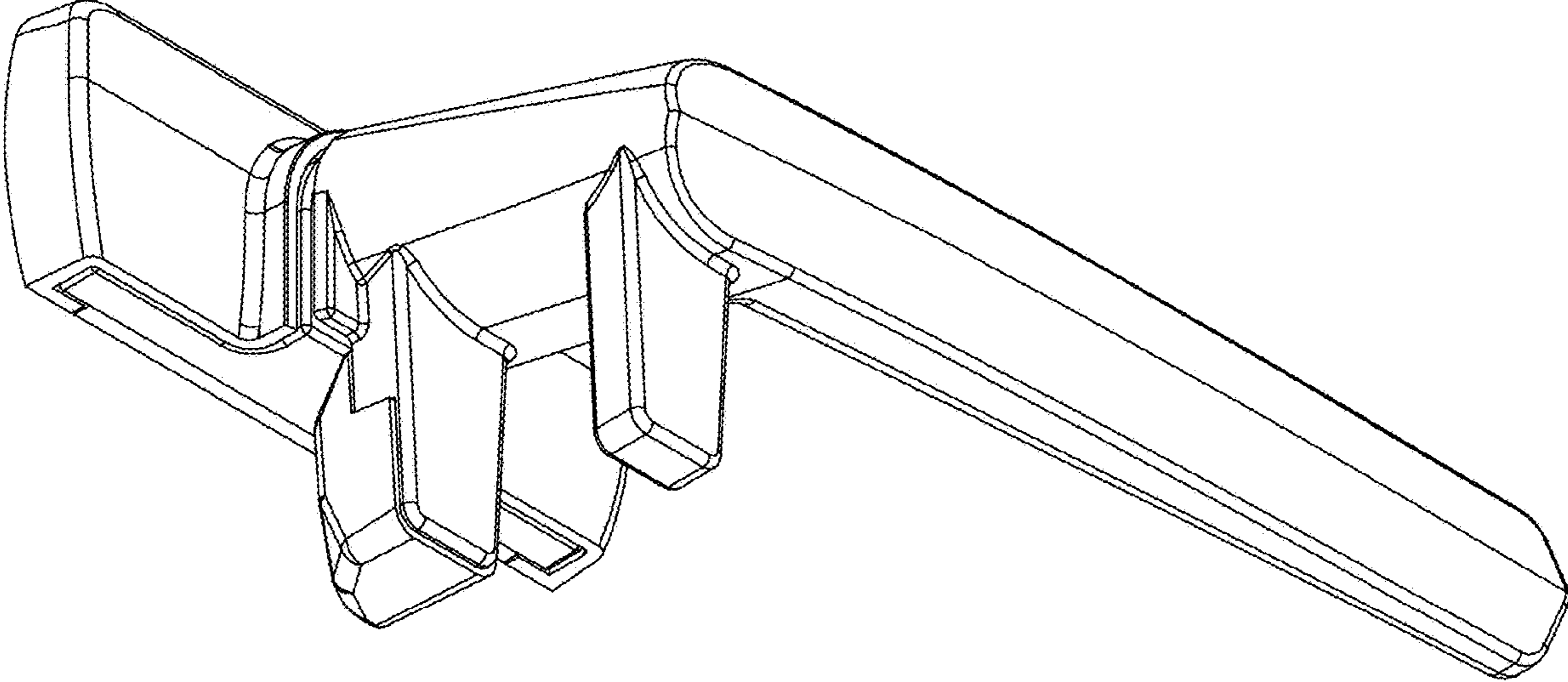


FIG. 10

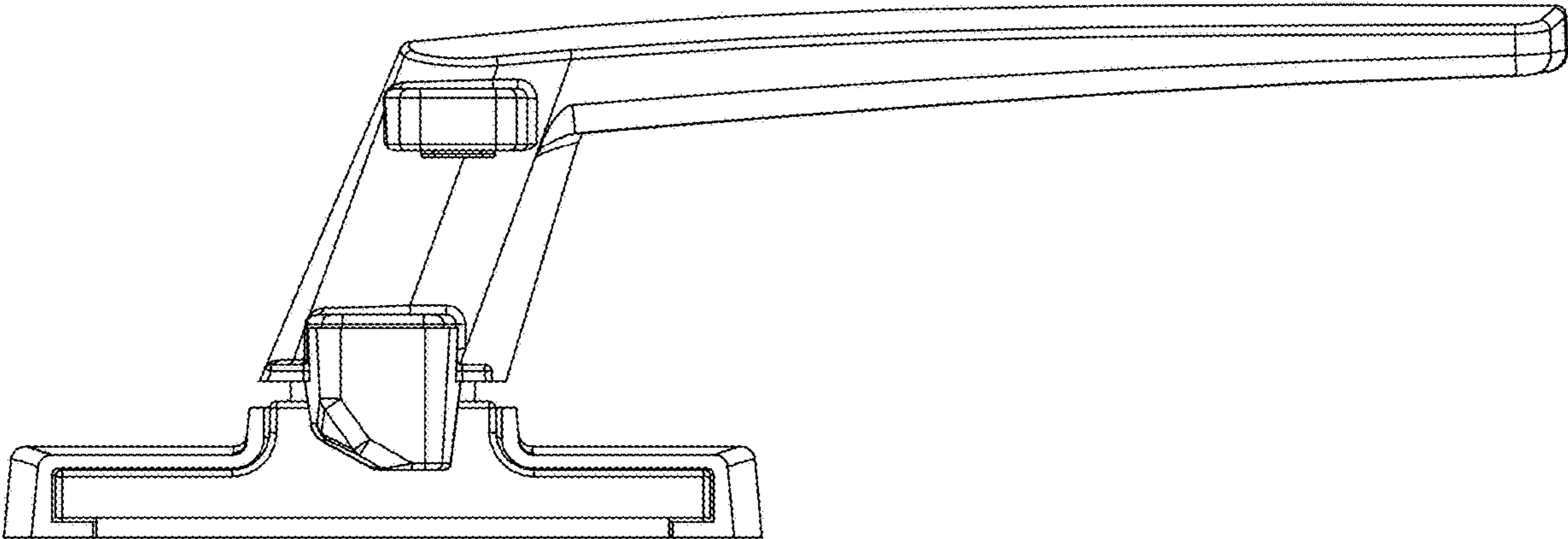


FIG. 11

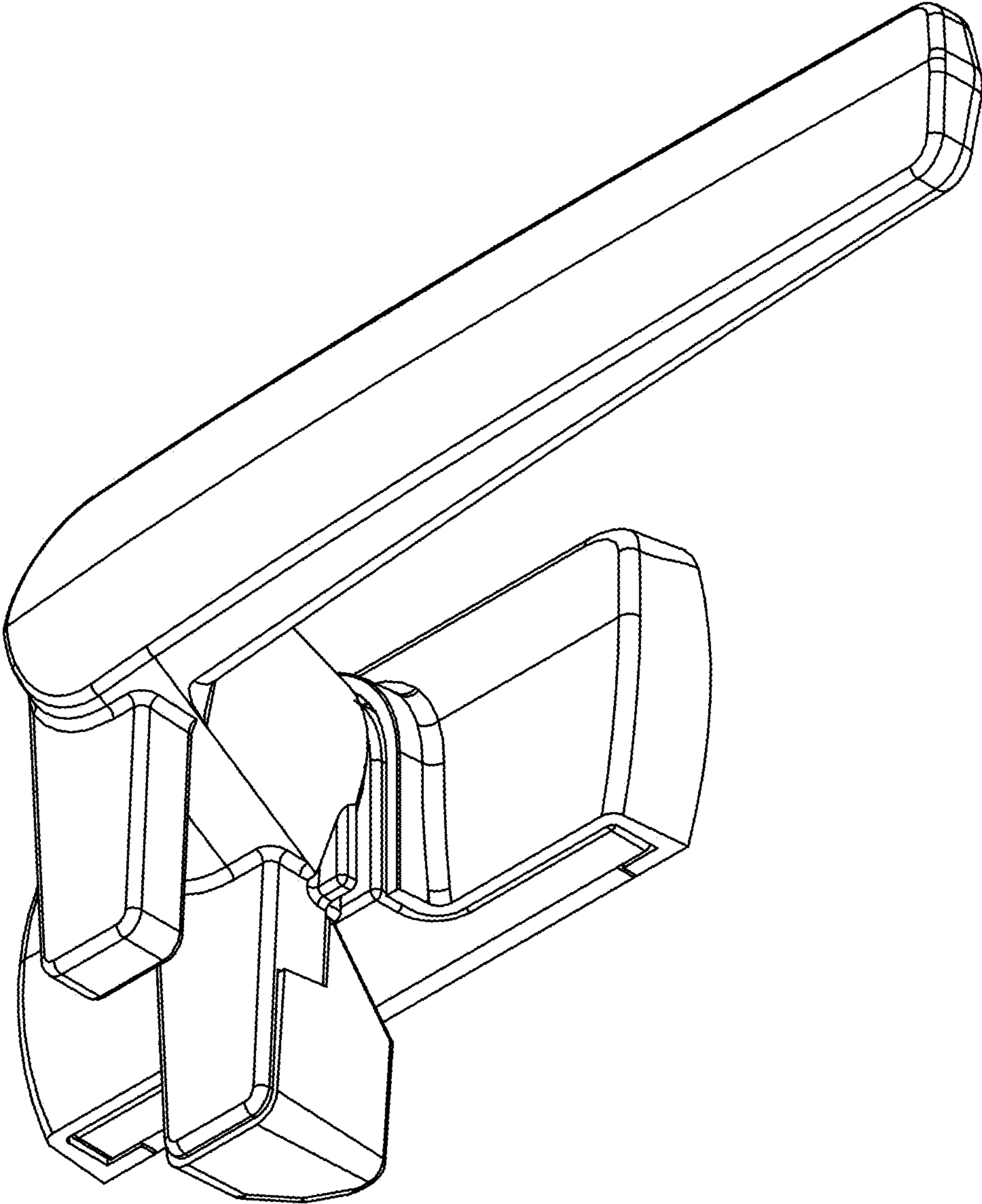


FIG. 12

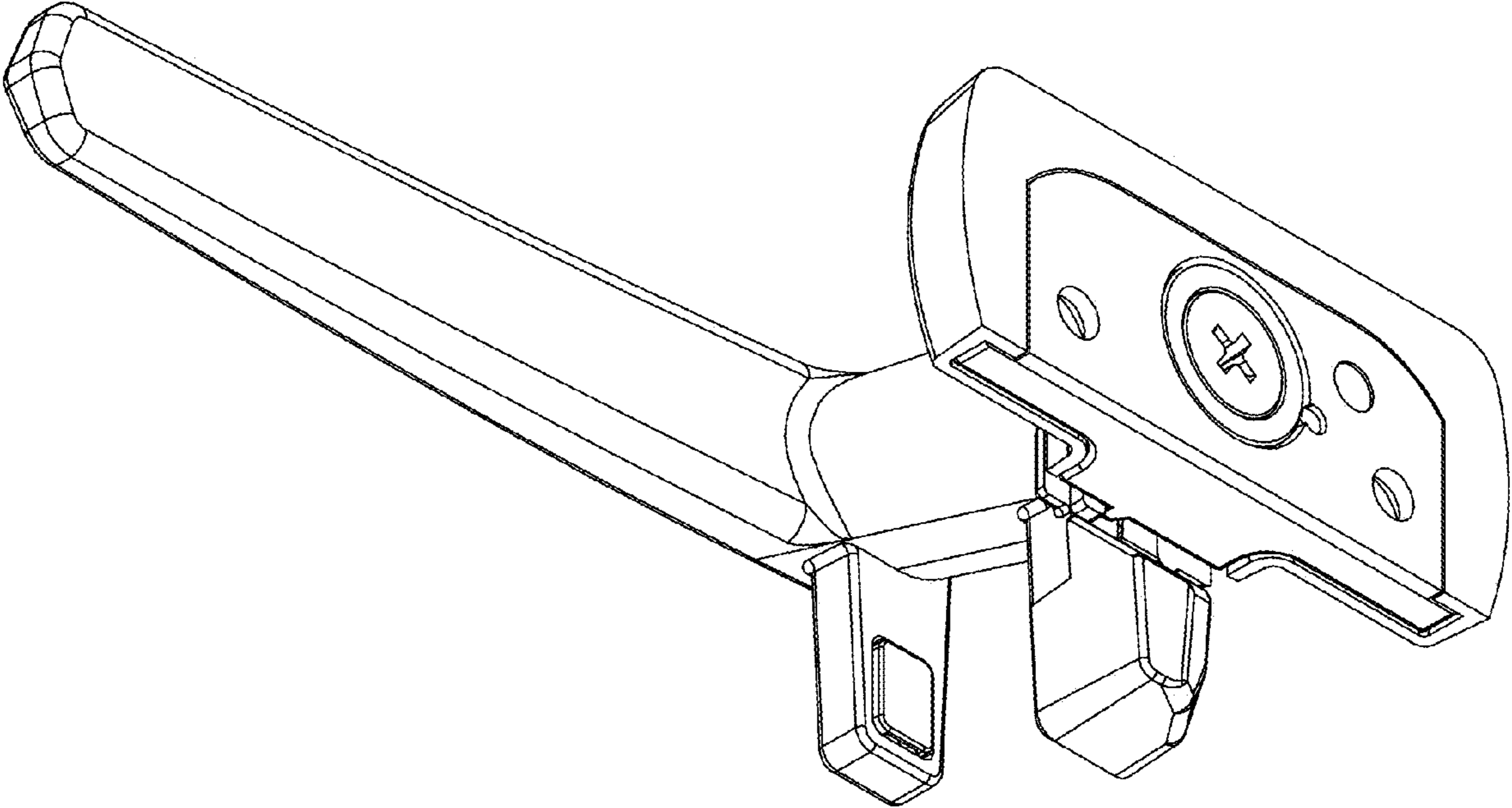


FIG. 13

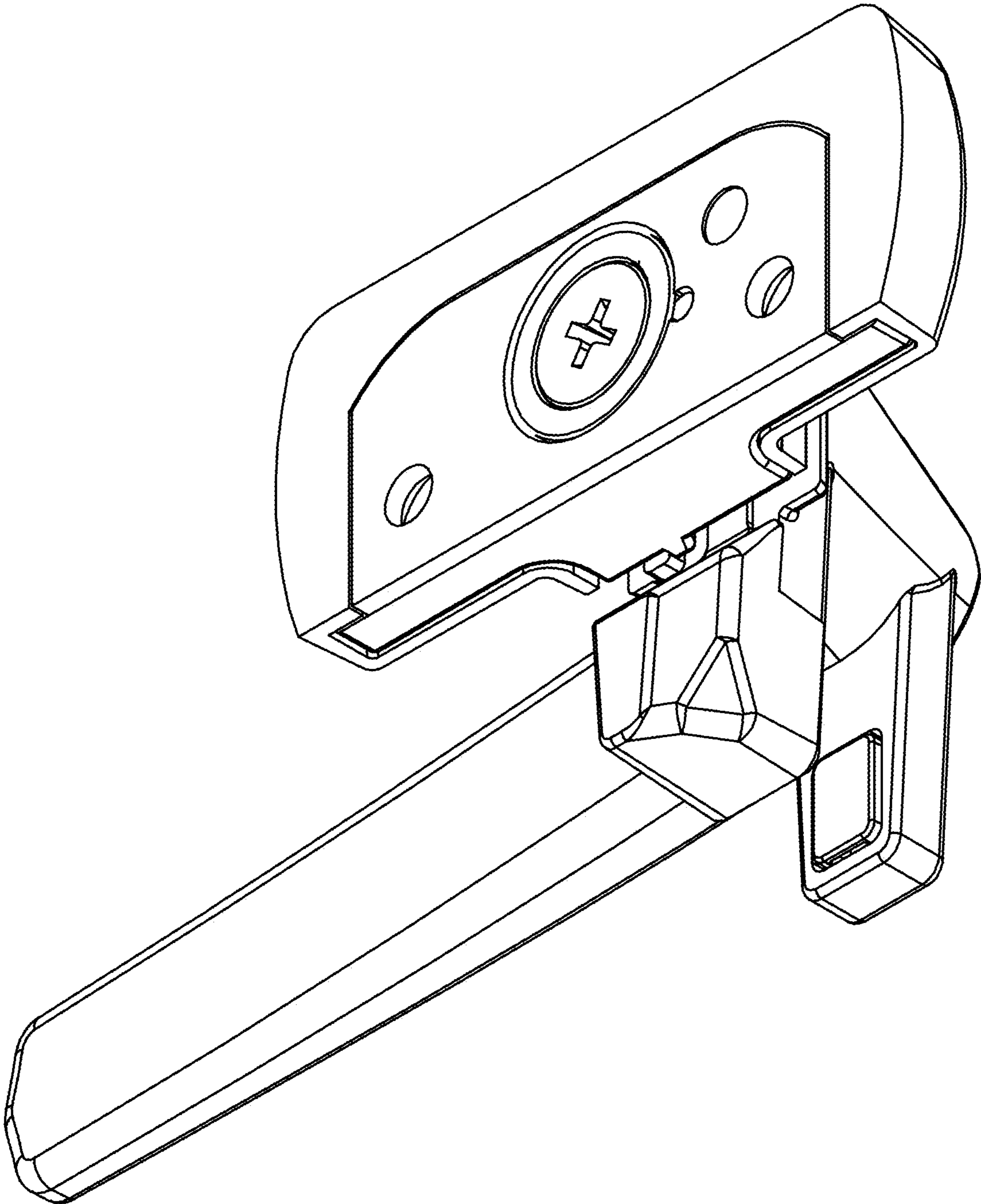


FIG. 14