



US00D957910S

(12) **United States Design Patent**
Saxon

(10) **Patent No.:** **US D957,910 S**

(45) **Date of Patent:** **** Jul. 19, 2022**

- (54) **DOORKNOB SECURITY COVER**
- (71) Applicant: **Meck Saxon**, Irving, TX (US)
- (72) Inventor: **Meck Saxon**, Irving, TX (US)
- (**) Term: **15 Years**
- (21) Appl. No.: **29/754,308**
- (22) Filed: **Oct. 9, 2020**
- (51) **LOC (13) Cl.** **08-06**
- (52) **U.S. Cl.**
USPC **D8/322**
- (58) **Field of Classification Search**
USPC D8/300, 305, 315–316, 319–322; D9/451
CPC E05B 1/0053; E05B 1/0061; E05B 13/001;
Y10S 292/02; Y10T 16/44; Y10T
74/20876

See application file for complete search history.

(56) **References Cited**

U.S. PATENT DOCUMENTS

- 2,449,575 A * 9/1948 Wilhelm B62D 1/043
16/DIG. 30
- 2,753,911 A * 7/1956 Haslett E05B 1/0061
16/86 A
- 2,883,850 A * 4/1959 Falck E05B 13/001
292/347
- 3,210,972 A * 10/1965 Johnson E05B 13/001
70/2
- 3,245,240 A * 4/1966 De Forrest E05B 13/001
70/2
- 3,343,387 A 9/1967 Cochran
- D211,398 S * 6/1968 Hall D8/310
- 3,660,996 A 5/1972 Syvertson
- 3,739,608 A * 6/1973 Young E05B 13/001
70/428
- 3,773,369 A * 11/1973 Wersonick E05B 17/2023
292/288
- 4,007,956 A * 2/1977 Harris E05B 13/001
292/357

- 4,082,351 A * 4/1978 Chrones E05B 13/001
16/DIG. 30
- 4,127,967 A * 12/1978 Franzl E06B 7/28
70/416
- 4,155,578 A * 5/1979 Rolland E05C 19/182
292/292
- 4,285,221 A * 8/1981 Atchisson E05B 13/001
70/424
- 4,503,692 A * 3/1985 Grint E05B 13/001
70/424
- 4,561,273 A 12/1985 Robinson
(Continued)

OTHER PUBLICATIONS

“Tanabe Metal Industries PG-10 Door Knob Cover”, Aug. 21, 2012, Amazon.co.jp, site visited Feb. 22, 2022: <https://www.amazon.co.jp/-/en/Tanabe-Industries-PG-10-Security-Hardware/dp/B003B2PRWA> (Year: 2012).*

(Continued)

Primary Examiner — Jack Reickel

Assistant Examiner — Michael A Kervin

(74) *Attorney, Agent, or Firm* — Cramer Patent & Design, PLLC; Aaron R. Cramer

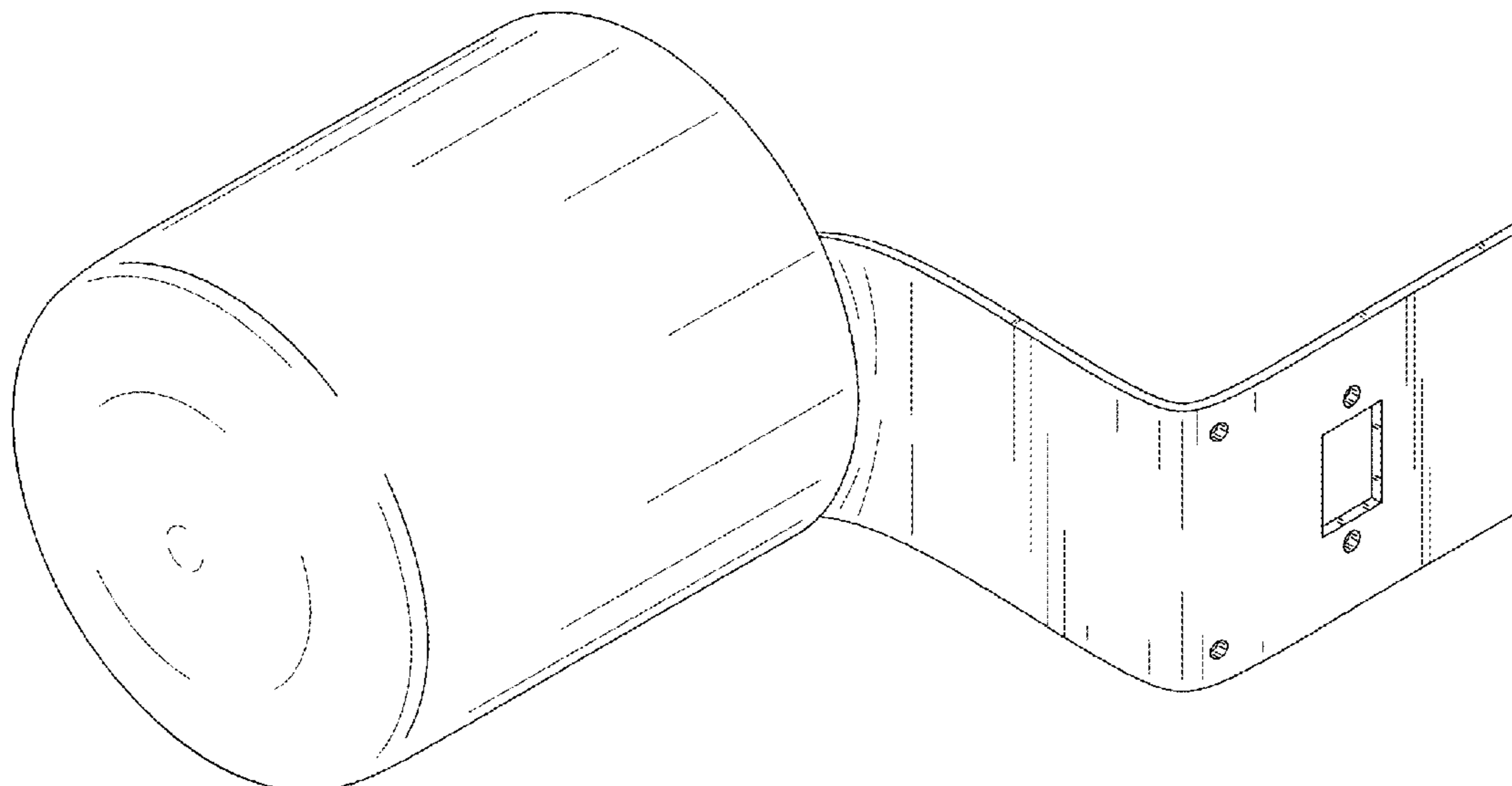
(57) **CLAIM**

The ornamental design for a doorknob security cover, as shown and described.

DESCRIPTION

FIG. 1 is a perspective top front right view of a doorknob security cover, showing my new design; FIG. 2 is a perspective top rear left view thereof; FIG. 3 is a front elevation view thereof; FIG. 4 is a rear elevation view thereof; FIG. 5 is a right elevation view thereof; FIG. 6 is a left elevation view thereof; FIG. 7 is a top plan view thereof; and, FIG. 8 is a bottom plan view thereof.

1 Claim, 8 Drawing Sheets



(56)

References Cited

U.S. PATENT DOCUMENTS

4,570,470 A * 2/1986 Gray, Sr. E05B 13/001
70/424
D283,004 S * 3/1986 Parker D8/322
4,575,140 A * 3/1986 Dargis E05C 19/184
292/296
4,631,938 A * 12/1986 Johnson E05B 13/001
70/427
4,798,069 A * 1/1989 DeForrest, Sr. E05B 17/142
70/211
4,876,867 A * 10/1989 Leneave E05B 13/001
70/420
5,201,202 A 4/1993 Kam
5,203,187 A * 4/1993 Kane E05B 13/001
70/424
5,423,583 A 6/1995 Crockom
5,560,235 A * 10/1996 Aucoin E05B 13/001
70/168
D391,469 S * 3/1998 Foushee D8/346
5,775,149 A * 7/1998 Small E05C 19/182
292/289
D402,875 S * 12/1998 Bethea D8/322
6,416,089 B1 * 7/2002 Williams, Jr. E05C 19/182
292/288
6,658,906 B1 * 12/2003 Wright E05B 13/001
70/424
8,534,103 B2 * 9/2013 Brooks E05B 13/001
70/423

8,756,965 B1 * 6/2014 Anderson E05B 13/001
292/264
D719,012 S * 12/2014 Alexander D8/346
9,346,435 B2 * 5/2016 Cain B60R 25/007
D787,298 S * 5/2017 Marsden D8/322
D911,145 S * 2/2021 Jin D8/322
11,203,884 B2 * 12/2021 Marsden E05B 13/002

OTHER PUBLICATIONS

“Defender Security S 4180 Doorknob Lock-Out Device”, Apr. 18, 2013, Amazon.com, site visited Feb. 22, 2022: <https://www.amazon.com/Defender-Security-Lock-Out-Diecast-Construction/dp/B00CGYNFF0> (Year: 2013).*

Door Knob Safety Cover for Kids, Child Proof Door Knob Covers, Baby Safety Doorknob Handle Cover Lockable Design. Product Listing [online]. © 1996-2020, Amazon.com, Inc. [retrieved on Mar. 13, 2020]. Retrieved from the Internet: <URL: <https://www.amazon.com/Safety-Covers-Doorknob-Lockable-Design/dp/B07DN895WP>>.

Major A100 Kee-Blok for Knobs. Product Listing [online]. © 1996-2020, Amazon.com, Inc. [retrieved on Mar. 13, 2020]. Retrieved from the Internet: <URL: https://www.amazon.com/Major-A100-KEE-BLOK-for-Knobs/dp/B0056RQRXQ/ref=asc_df_B0056RQRXQ/?tag=hyprod-20&linkCode=df0&hvadid=216767797588&hvpos=&hvnetw=g&hvrnd=5300588913119687977&hvpone=&hvptwo=&hvqmt=&hvdev=c&hvdvcmld=&hvlocint=&hvlocphy=9005966&hvtargid=pla-377617197984&psc=1>.

* cited by examiner

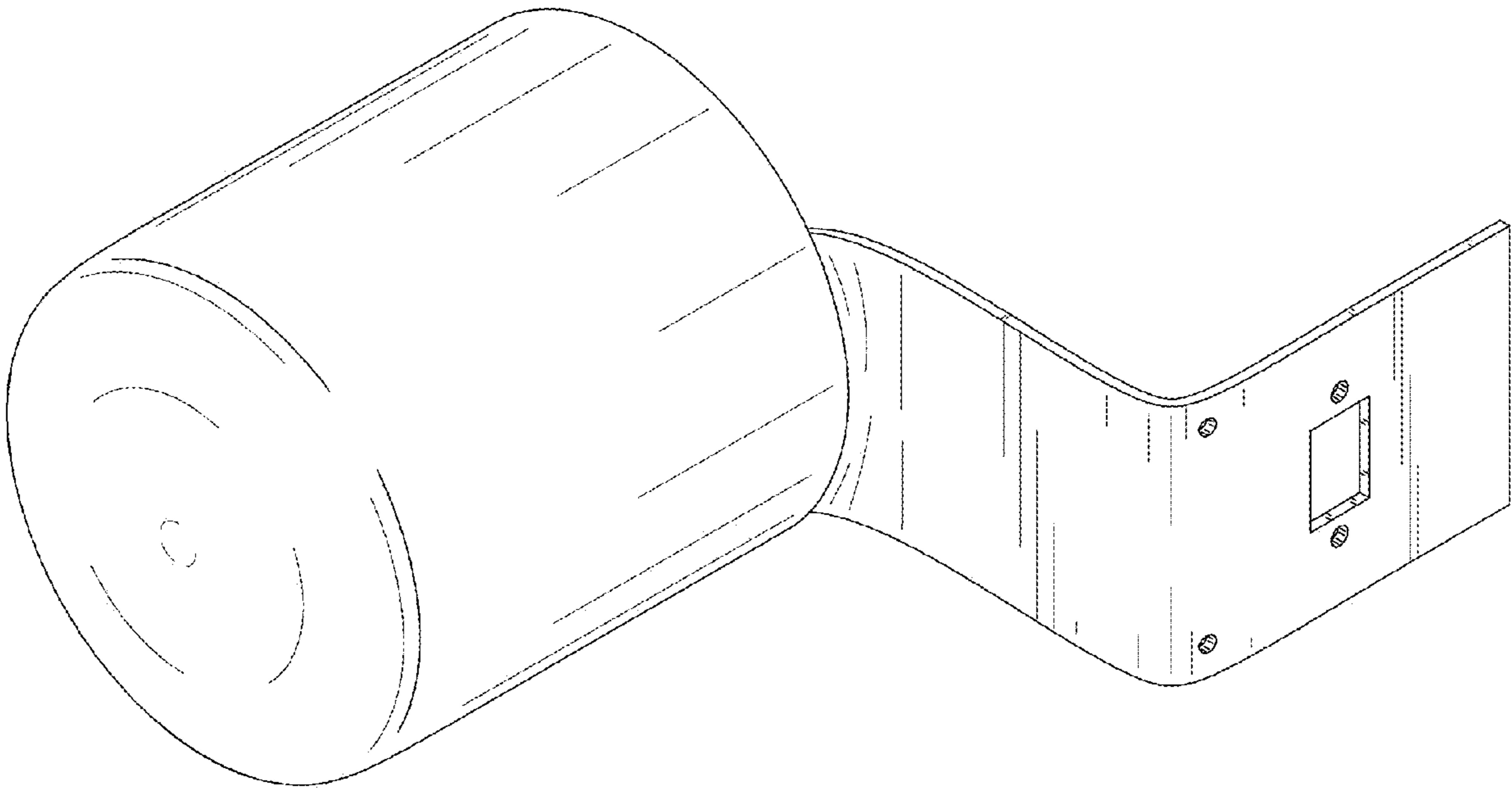


FIG. 1

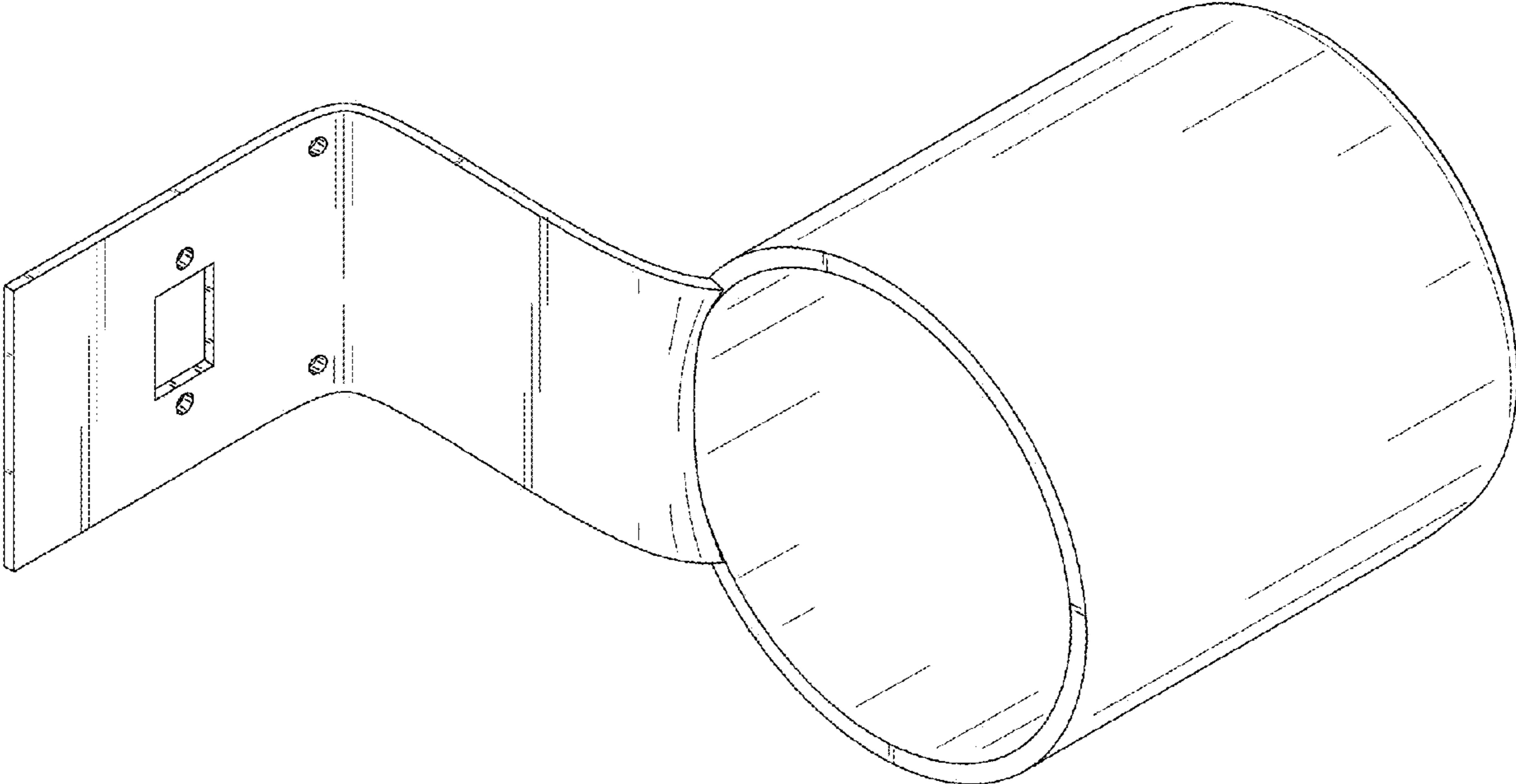


FIG. 2

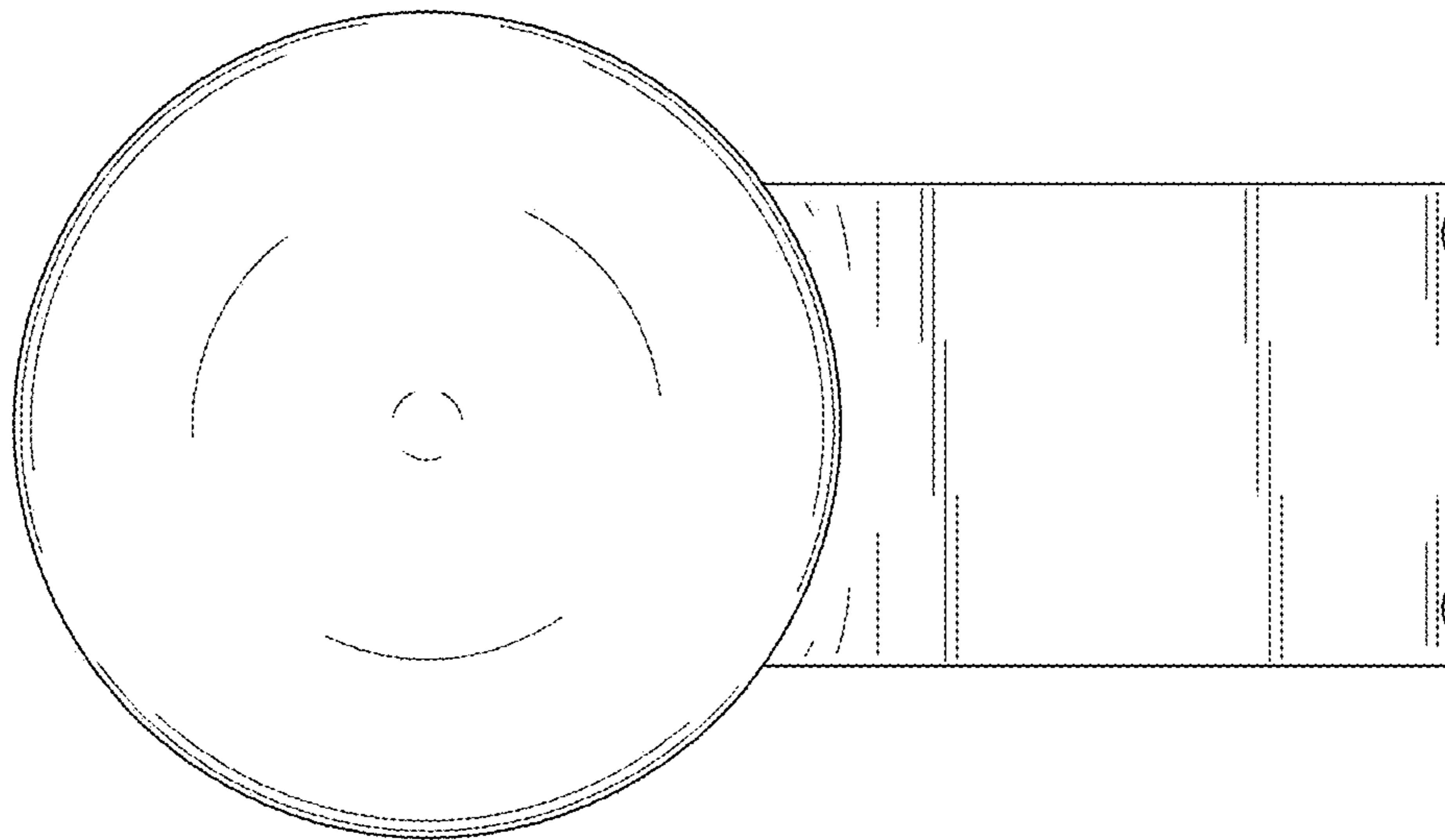


FIG. 3

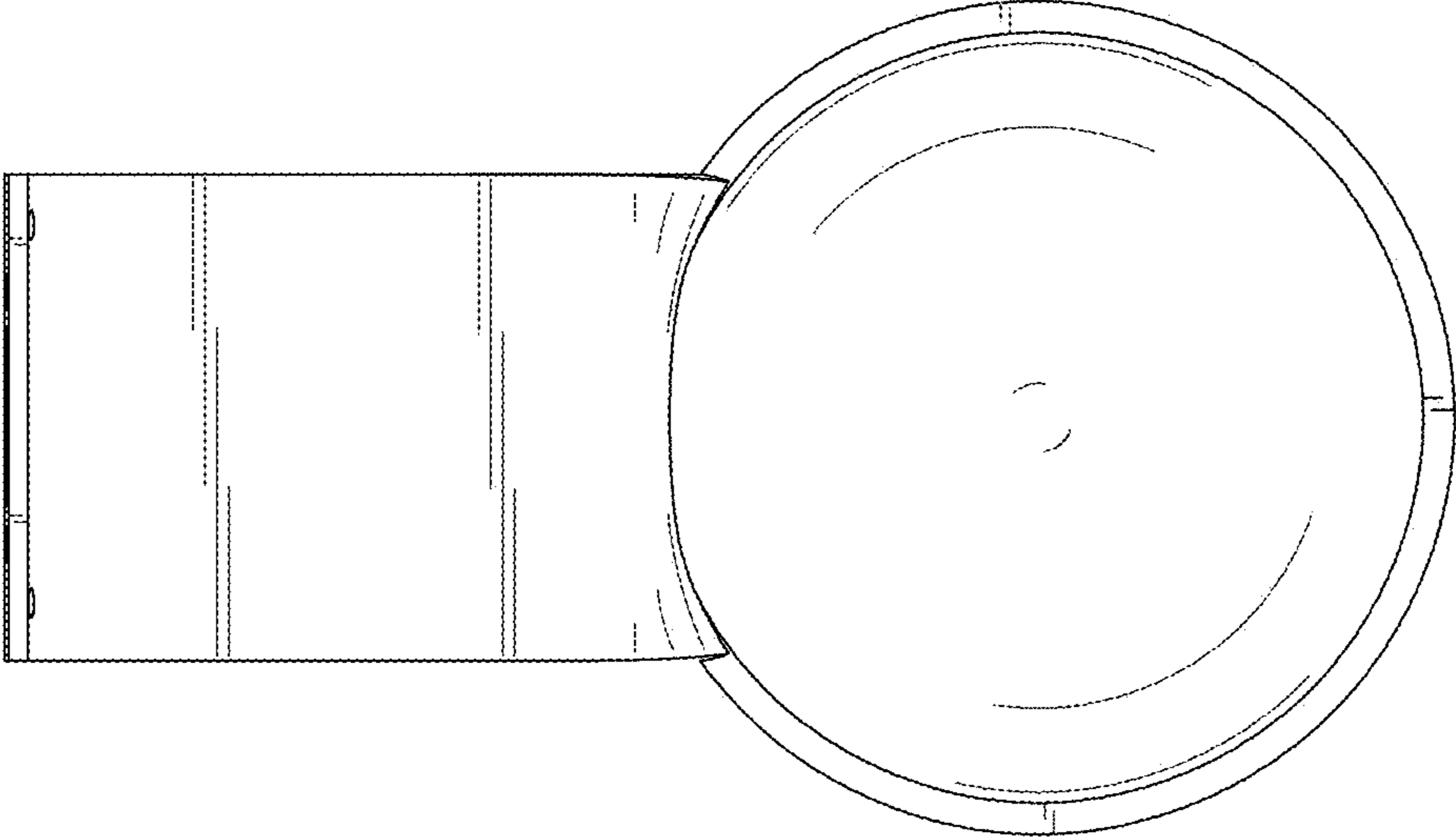


FIG. 4

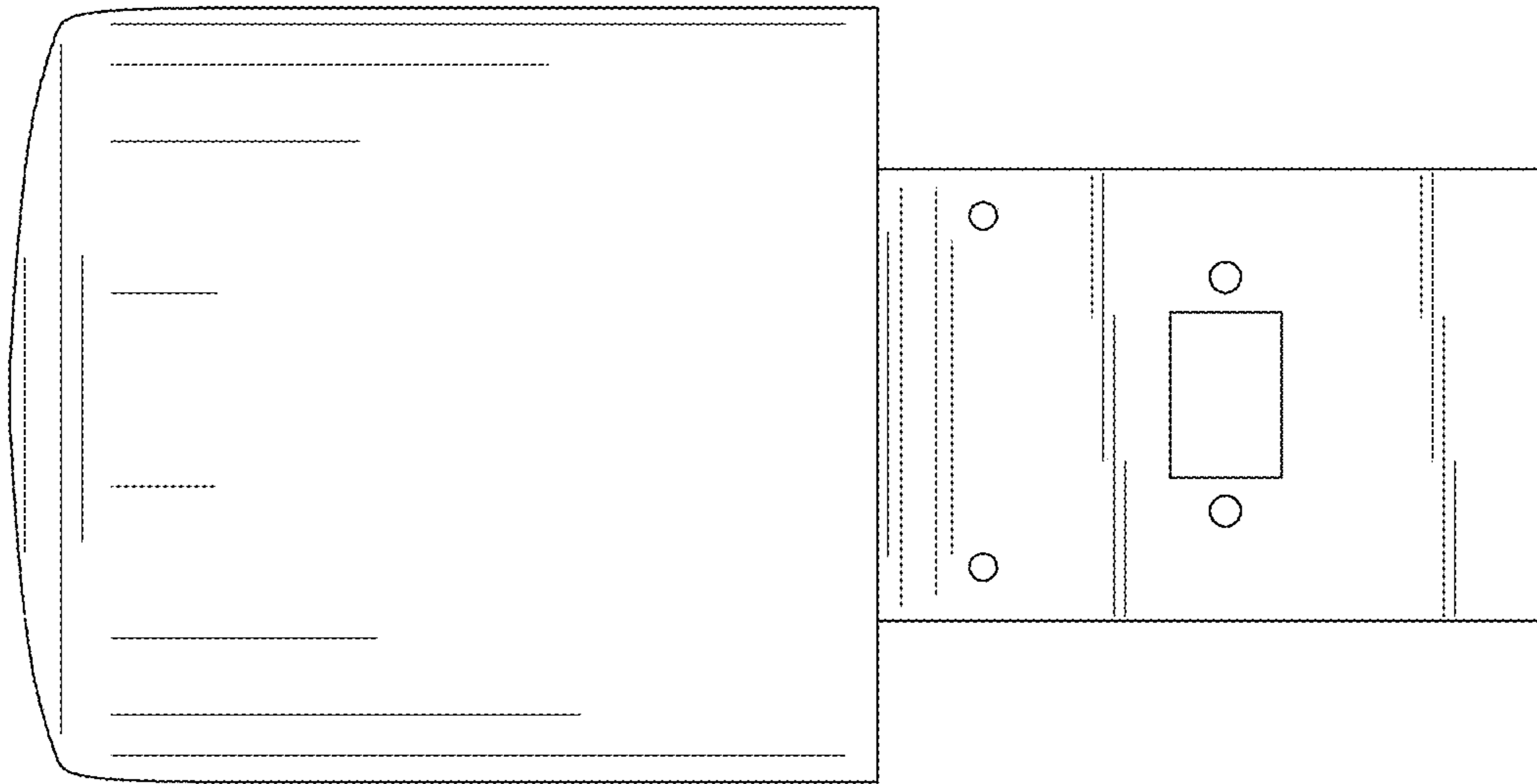


FIG. 5

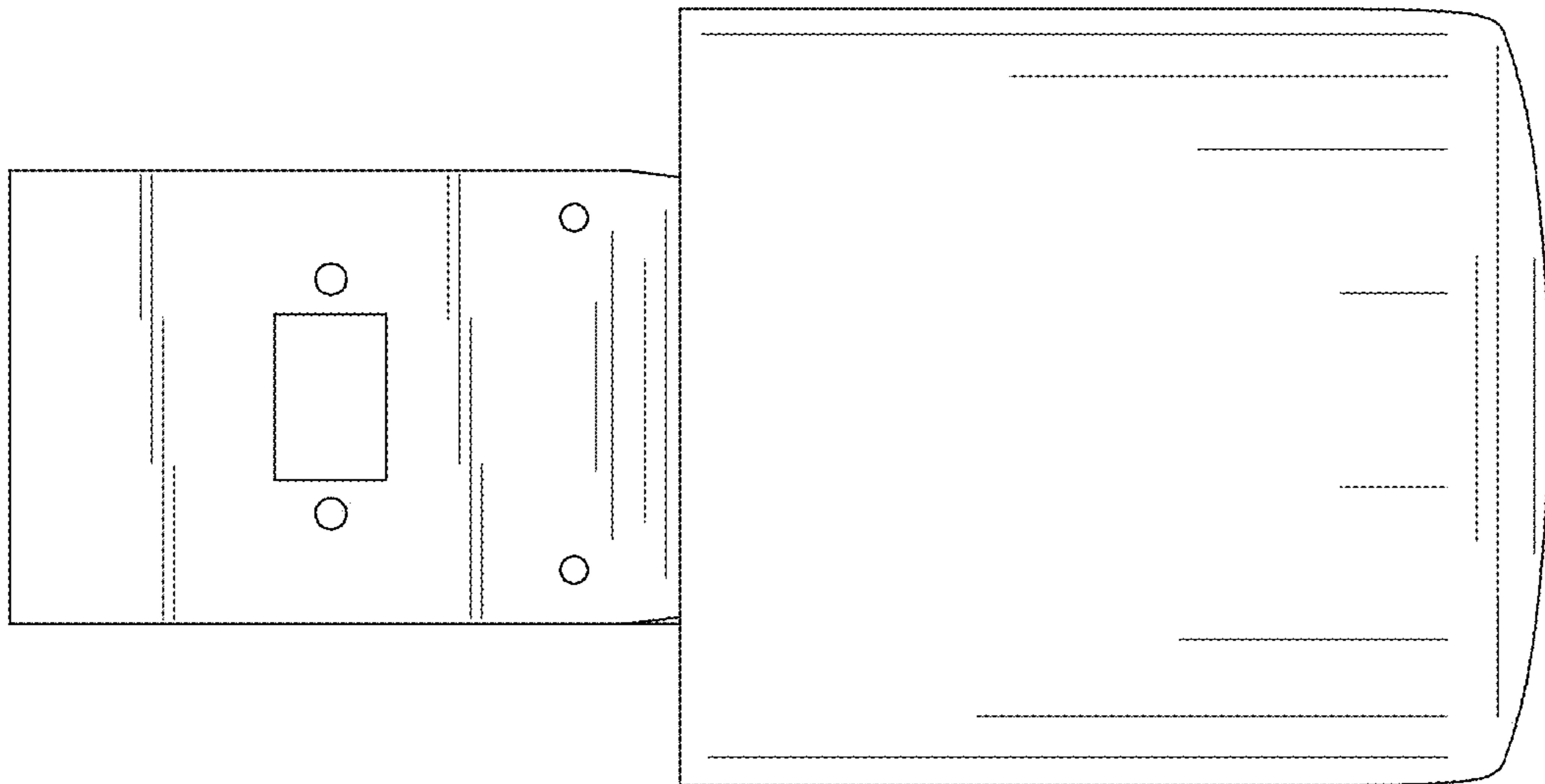


FIG. 6

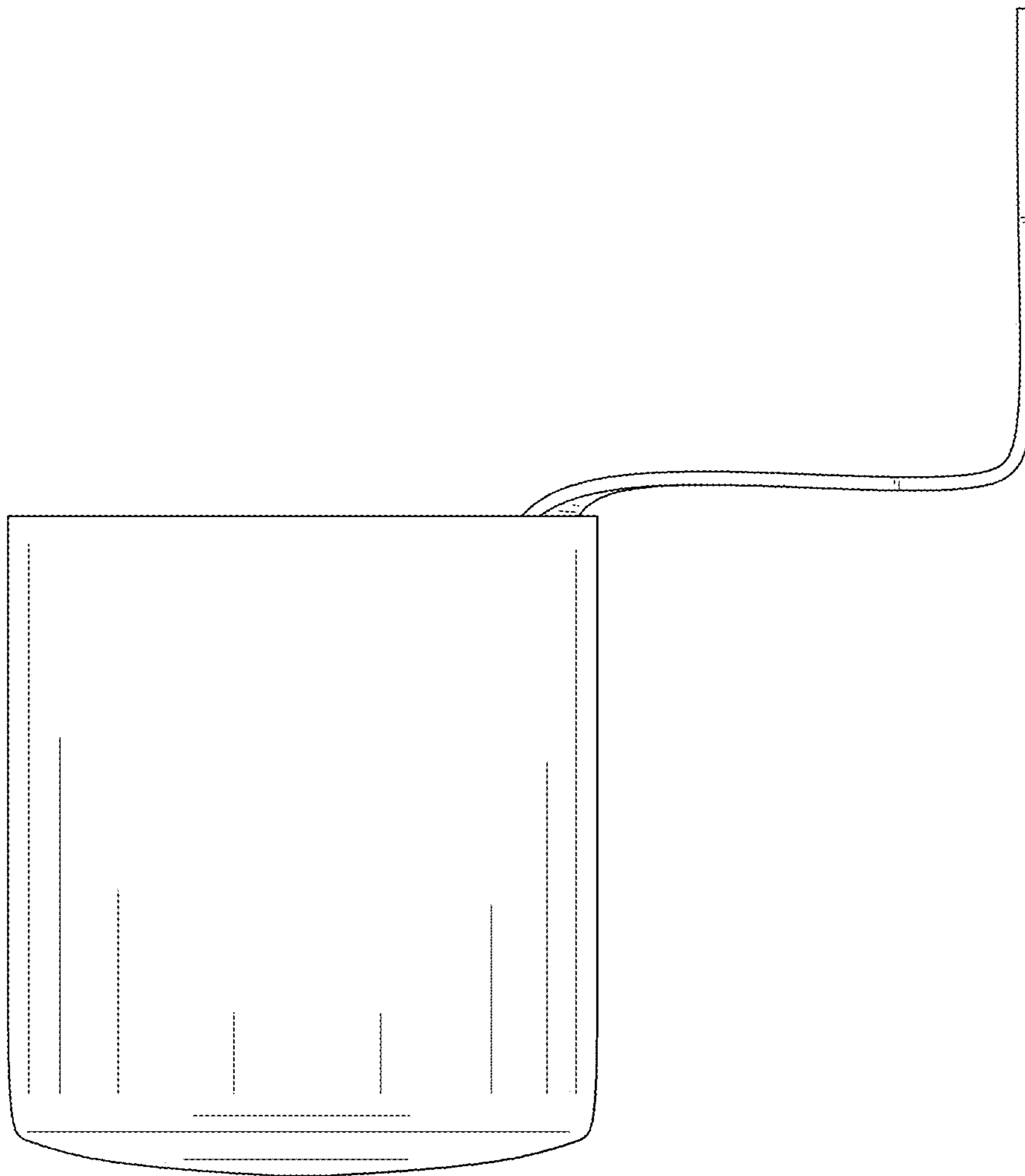


FIG. 7

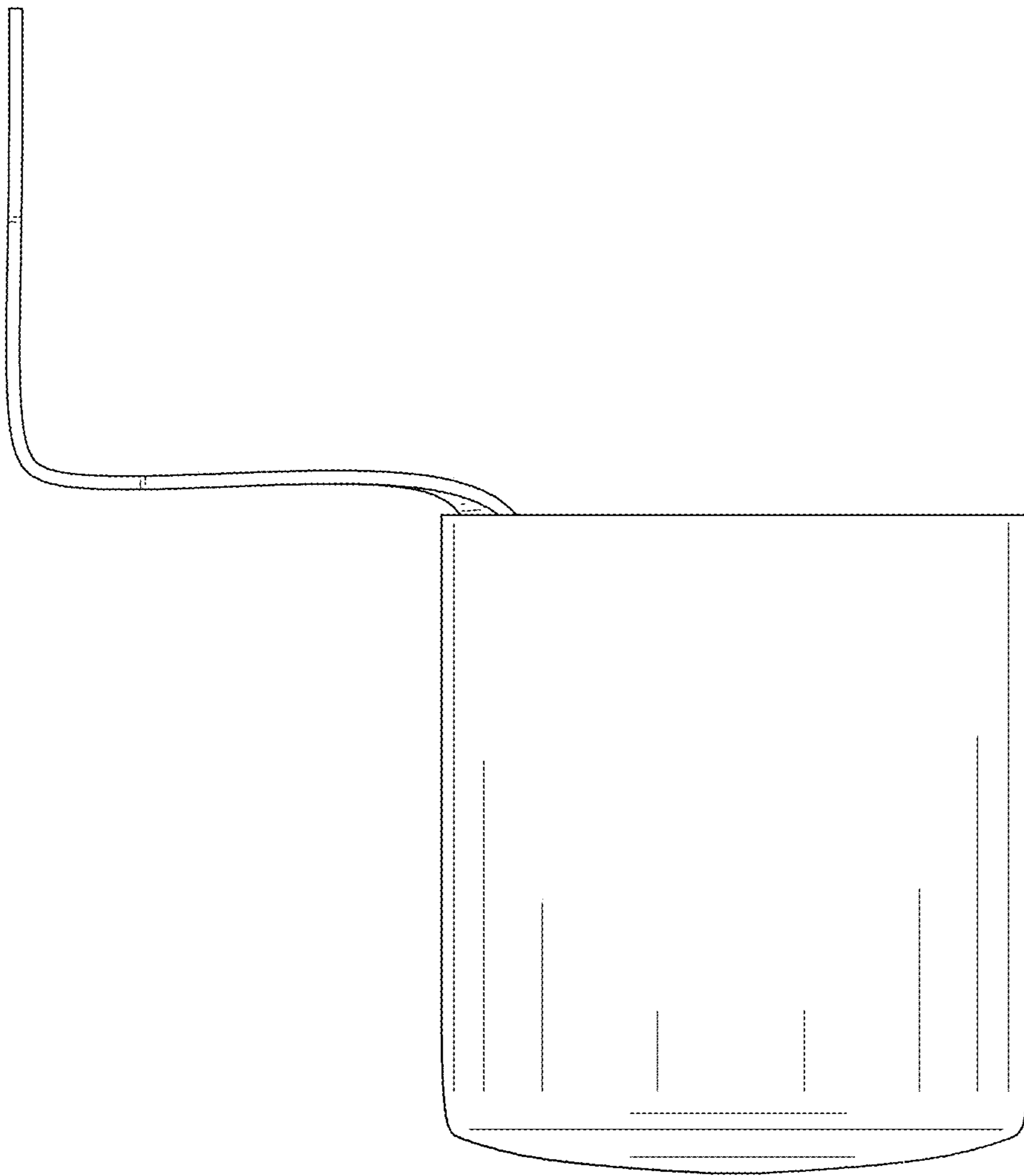


FIG. 8