



US00D957907S

(12) **United States Design Patent**
Zhang et al.

(10) **Patent No.:** **US D957,907 S**
(45) **Date of Patent:** **** Jul. 19, 2022**

(54) **PORTABLE ELECTRIC SANDER**

<https://www.manualslib.com/manual/1095851/Makita-Gv5010.html>>.*

(71) Applicant: **MAKITA CORPORATION**, Anjo (JP)

(Continued)

(72) Inventors: **Baohua Zhang**, Jiangsu (CN); **Xuanjie Shi**, Jiangsu (CN); **Sujian Dai**, Jiangsu (CN)

Primary Examiner — Darlington Ly
(74) *Attorney, Agent, or Firm* — Global IP Counselors, LLP

(73) Assignee: **MAKITA CORPORATION**, Anjo (JP)

(57) **CLAIM**

(**) Term: **15 Years**

The ornamental design for a portable electric sander, as shown and described.

(21) Appl. No.: **29/764,687**

DESCRIPTION

(22) Filed: **Dec. 31, 2020**

(30) **Foreign Application Priority Data**

Jul. 3, 2020 (JP) 2020-013657 D
(51) **LOC (13) Cl.** **08-05**
(52) **U.S. Cl.**
USPC **D8/68**
(58) **Field of Classification Search**
USPC D8/61, 62, 63, 67, 68, 69; D4/102;
D32/14.1, 15, 17, 19

FIG. 1 is a front perspective view of a portable electric sander in accordance with our new design;
FIG. 2 is a rear perspective view of the portable electric sander in accordance with our new design;
FIG. 3 is a front elevational view of the portable electric sander in accordance with our new design;
FIG. 4 is a rear elevational view of the portable electric sander in accordance with our new design;
FIG. 5 is a top plan view of the portable electric sander in accordance with our new design;
FIG. 6 is a bottom plan view of the portable electric sander in accordance with our new design;
FIG. 7 is a right side elevational view of the portable electric sander in accordance with our new design;
FIG. 8 is a left side elevational view of the portable electric sander in accordance with our new design; and,
FIG. 9 is a front perspective view, similar to FIG. 1, of the portable electric sander in accordance with our new design illustrating a state in which a sandpaper attachment, a battery and a side handle are attached to the portable electric sander. The broken line showing of the sandpaper attachment, the battery and the side handle in FIG. 9 is provided for the purpose of illustrating environmental structures; whereas the broken line showing in FIGS. 1-8 illustrates portions of the portable electric sander. These broken line subject matters do not form part of the claimed design.

(Continued)

(56) **References Cited**

U.S. PATENT DOCUMENTS

D200,588 S * 3/1965 Brown D8/62
D202,640 S * 10/1965 Brown D8/62
(Continued)

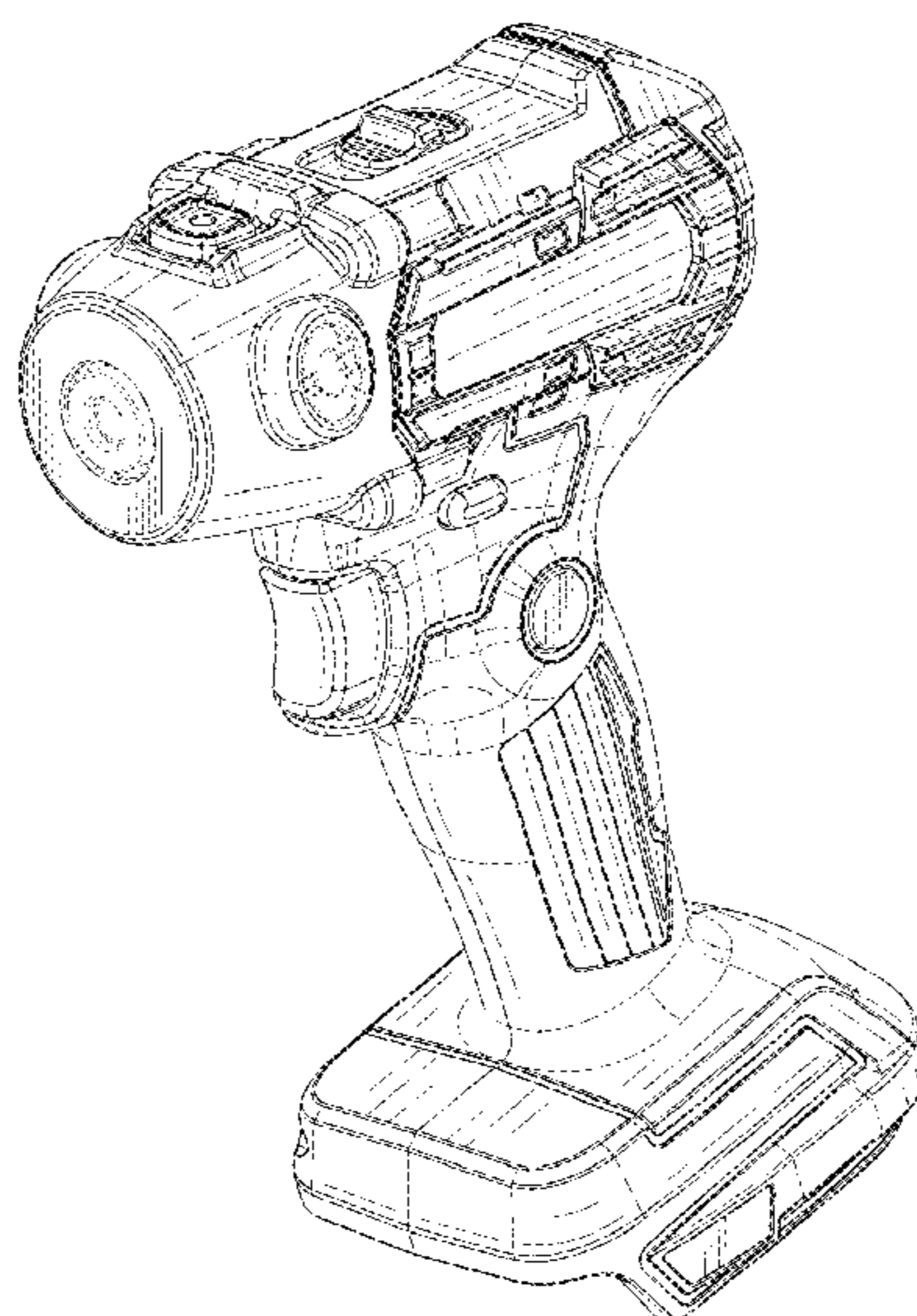
FOREIGN PATENT DOCUMENTS

JP 1109604 S 3/2001

OTHER PUBLICATIONS

“Makita GV5010—Instruction Manual.” Makita., Jul. 2, 2016 [online], [retrieved on May 4, 2022]. Retrieved from the Internet <URL:

1 Claim, 9 Drawing Sheets



- (58) **Field of Classification Search**
 CPC B24B 21/20; B24B 23/00; B24B 23/022;
 B24B 23/06; B24B 41/04; B24B 47/12
 See application file for complete search history.

(56) **References Cited**

U.S. PATENT DOCUMENTS

D204,772	S *	5/1966	Brown	D8/62
D339,275	S *	9/1993	Fukuda	D8/62
5,406,752	A *	4/1995	Neff	B24D 9/08
					451/344
D357,849	S *	5/1995	Izumisawa	D8/62
D381,570	S *	7/1997	Sung	D8/62
D385,765	S *	11/1997	Sung	D8/62
D387,258	S *	12/1997	Kiso	D8/62
D405,334	S *	2/1999	Sung	D8/62
D430,995	S *	9/2000	Izumisawa	D8/62
D452,638	S *	1/2002	Chen	D8/62
D452,805	S *	1/2002	Chen	D8/62
D459,643	S *	7/2002	Morgan	D8/68
D515,895	S *	2/2006	Chen	D8/68

D525,752	S *	7/2006	Bakker	D32/19
D609,071	S *	2/2010	Yamamoto	D8/62
D611,795	S *	3/2010	Misaki	D8/62
D632,939	S *	2/2011	Misaki	D8/62
D636,243	S *	4/2011	Liu	D8/62
D644,080	S *	8/2011	Misaki	D8/62
9,168,188	B2 *	10/2015	Zwirkoski	A61F 15/02
D938,247	S *	12/2021	Suzuki	D8/62
D945,091	S *	3/2022	Long	D32/14.1
2008/0233846	A1 *	9/2008	Bohne	B24B 55/10
					451/344
2018/0093359	A1 *	4/2018	Johnson	B24B 47/12

OTHER PUBLICATIONS

“Operator’S Manual & Safety Instructions—3M Pistol Grip Disc Sander” 3M Mar. 15, 2017 [online], [retrieved on May 4, 2022]. Retrieved from the Internet <URL: <https://multimedia.3m.com/mws/media/1582979O/operators-manual-safety-instructions-3m-pistol-grip-disc-sander.pdf>>.*

* cited by examiner

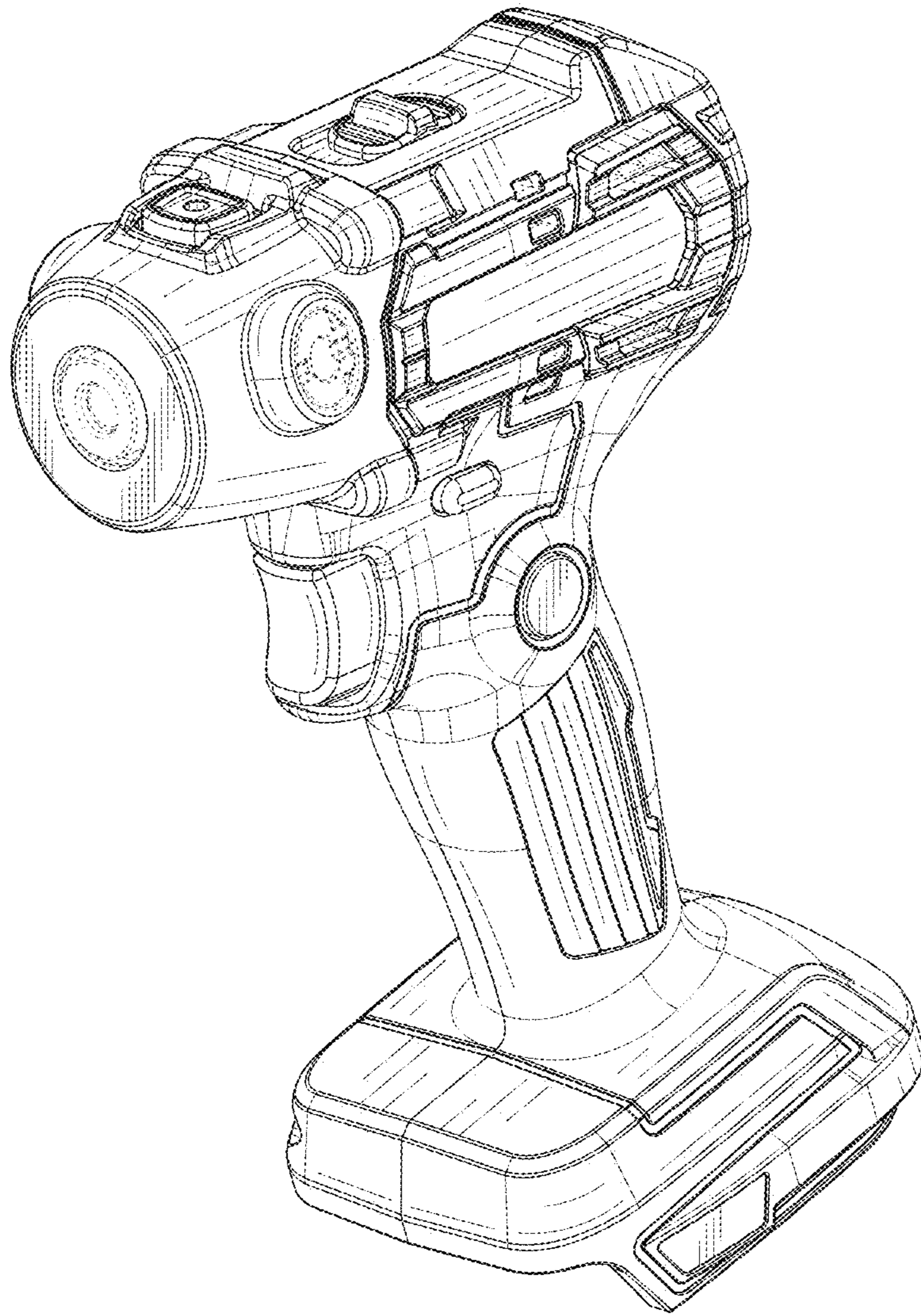


FIG. 1

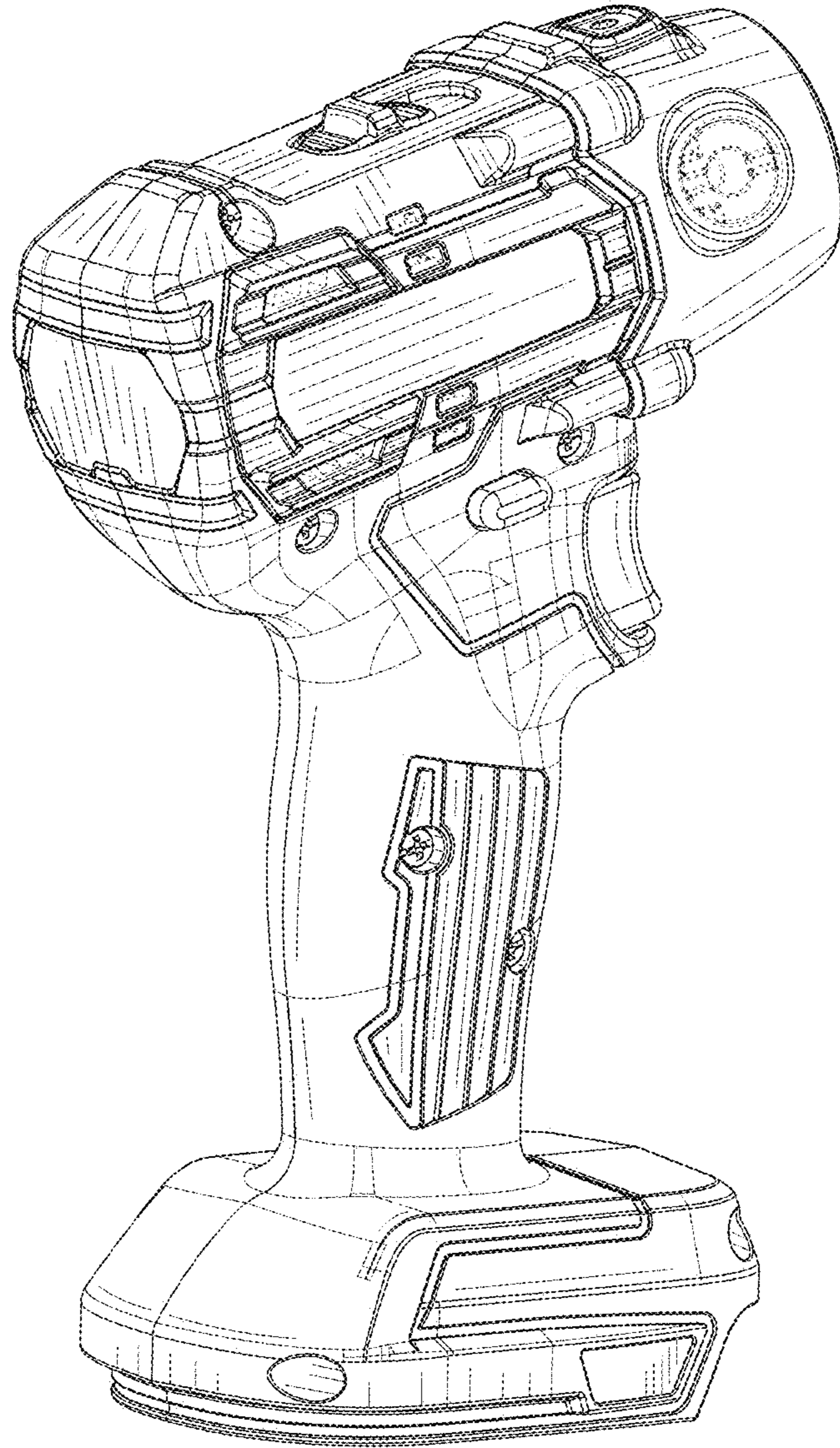


FIG. 2

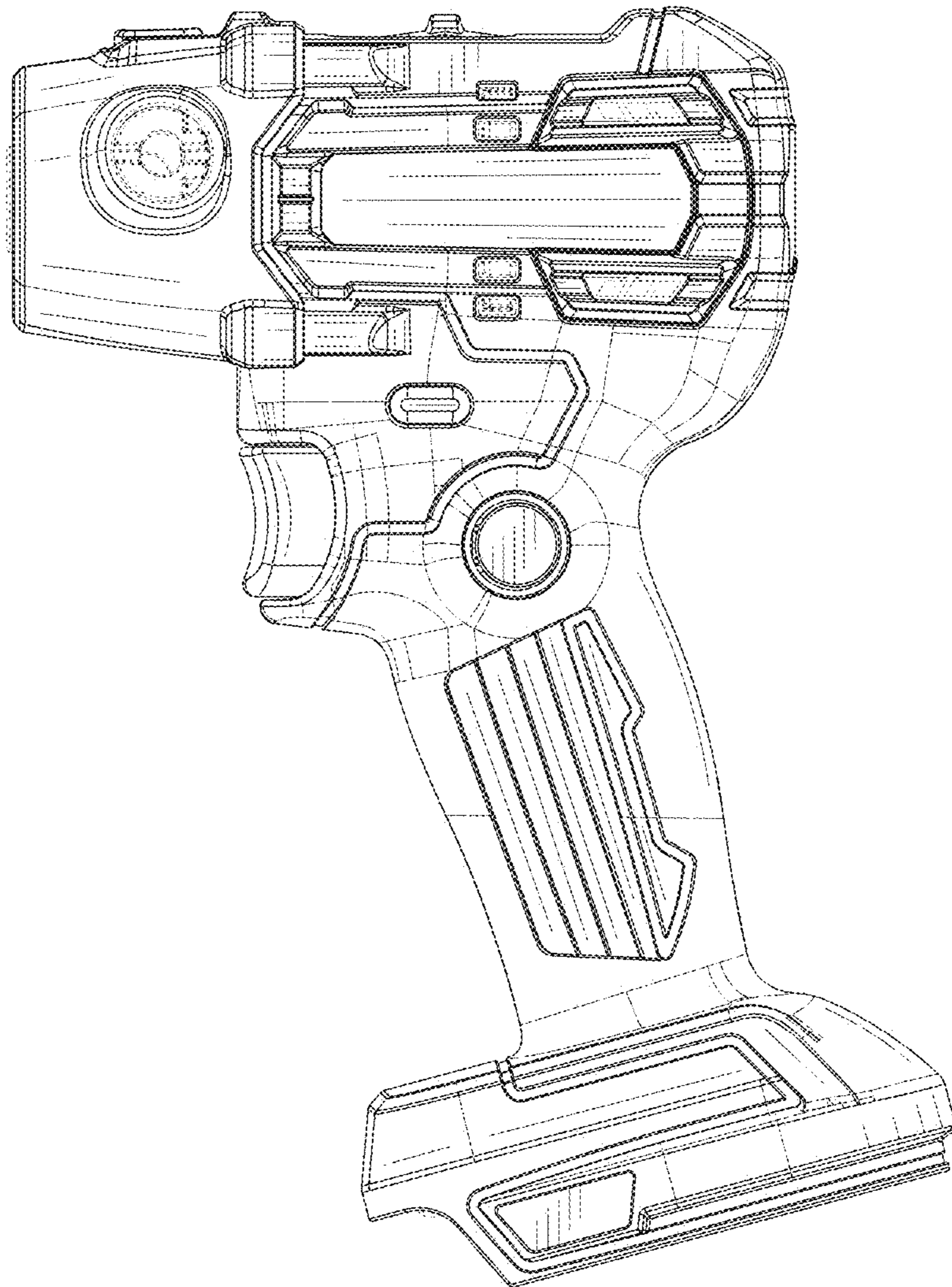


FIG. 3

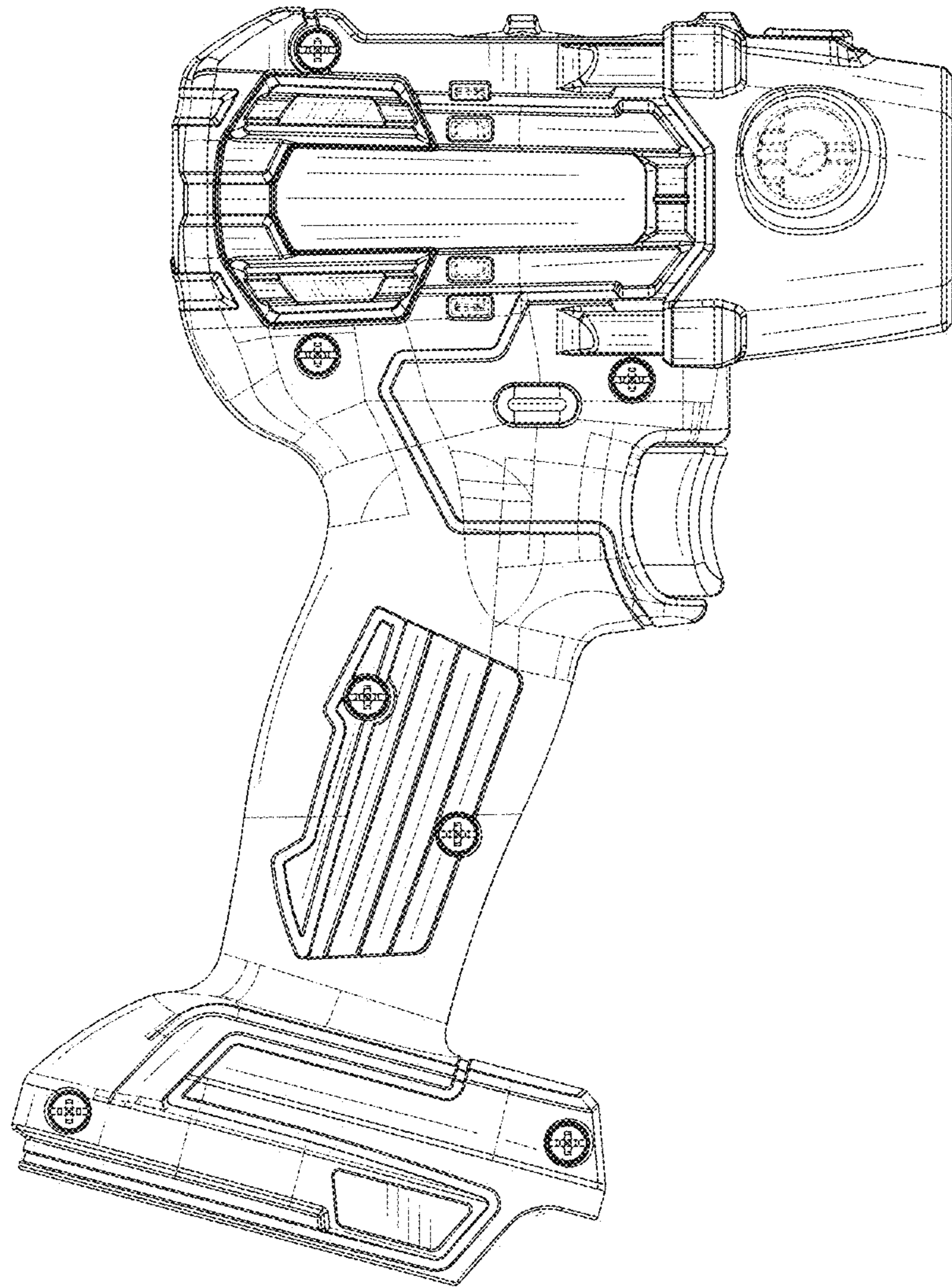


FIG. 4

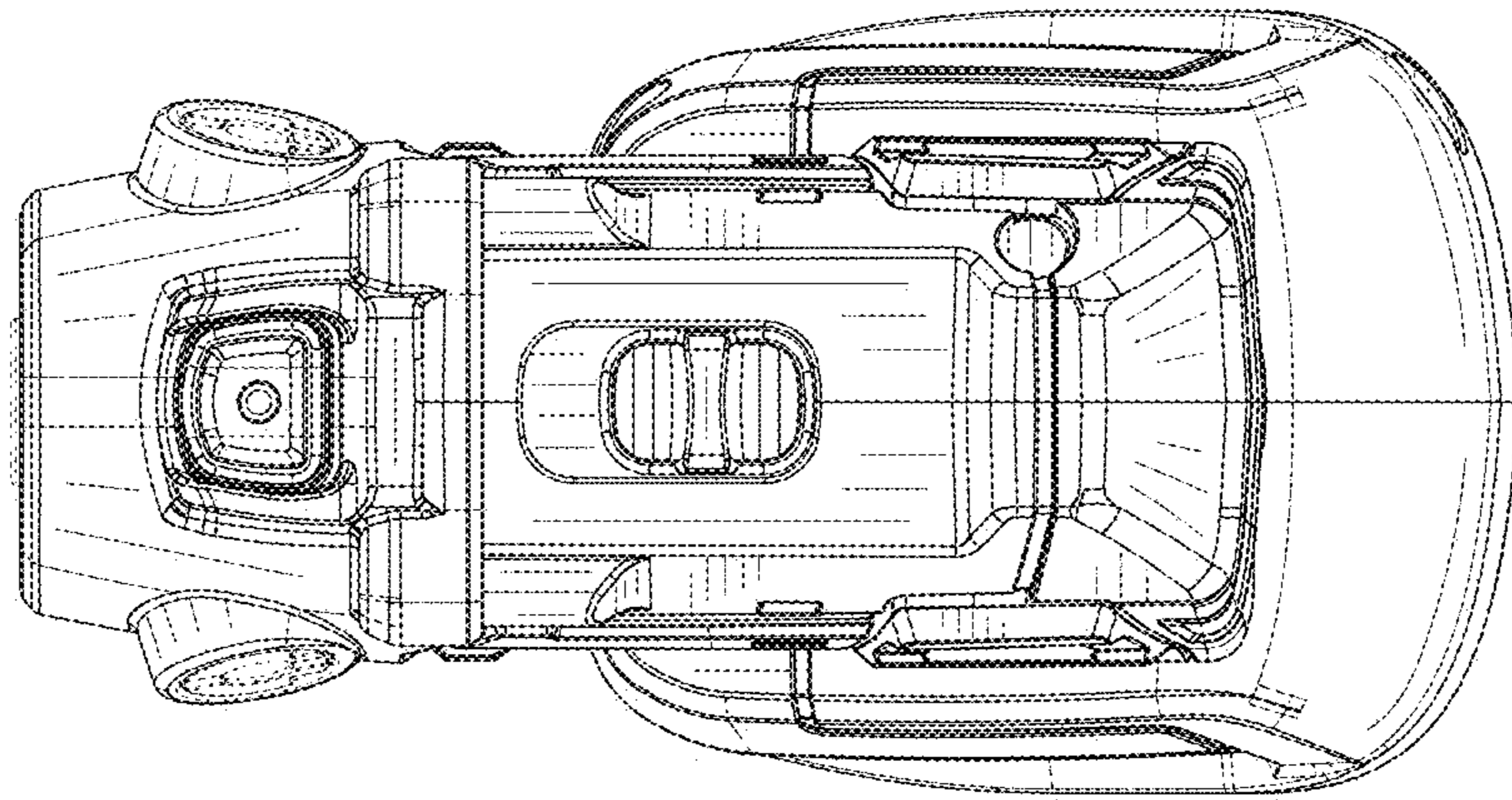


FIG. 5

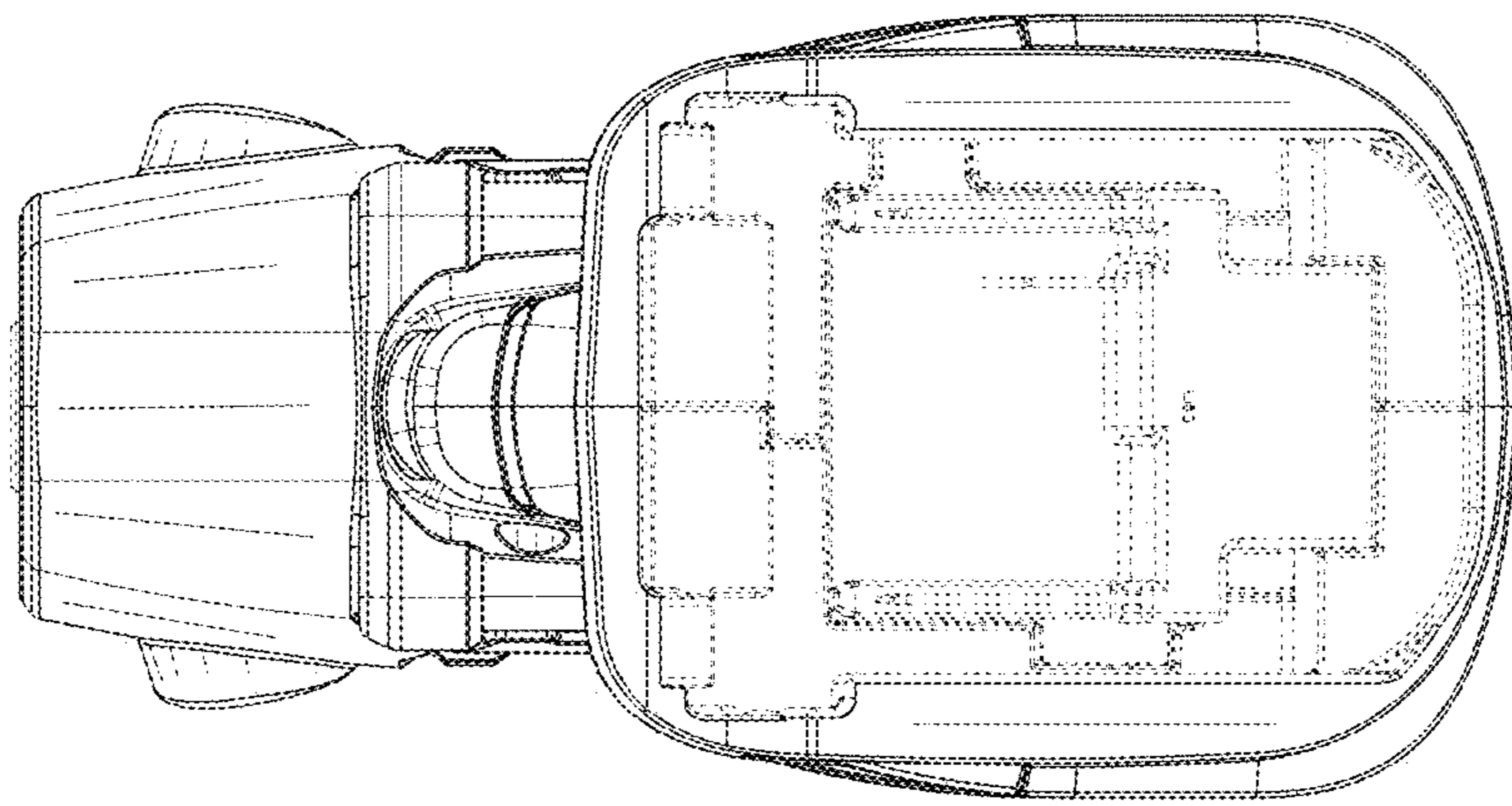


FIG. 6

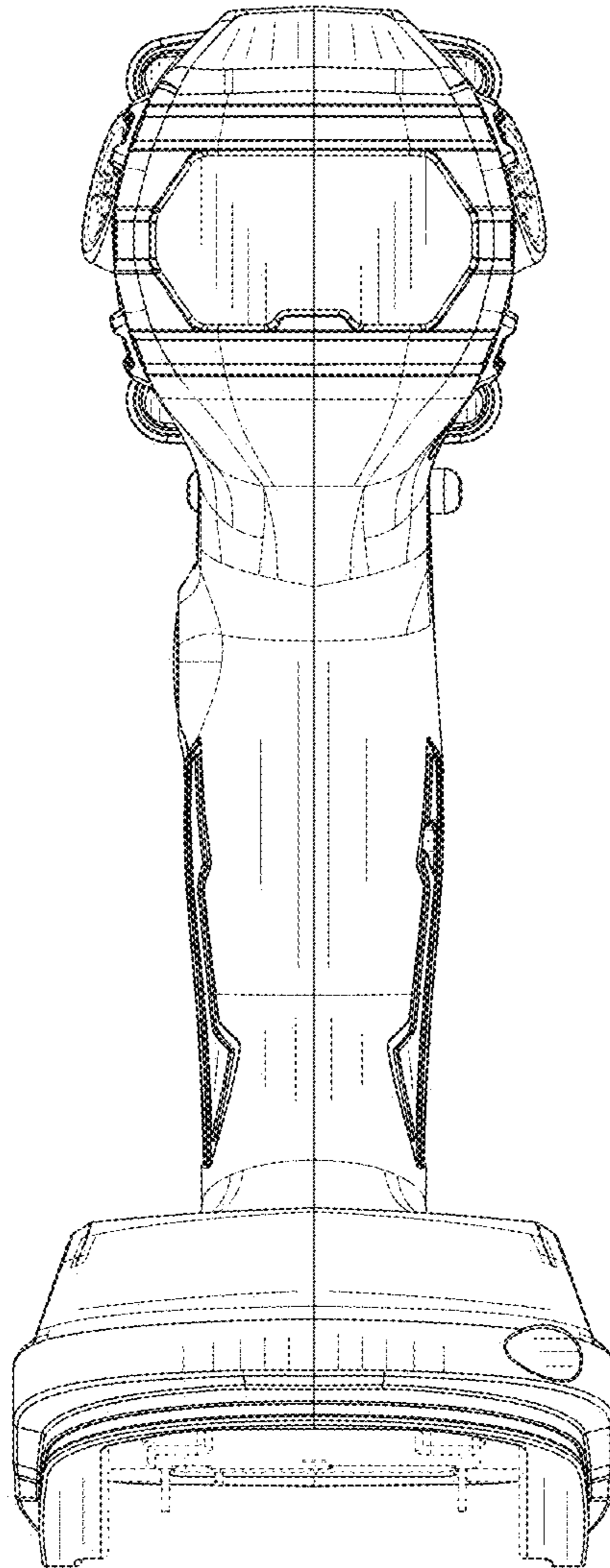


FIG. 7

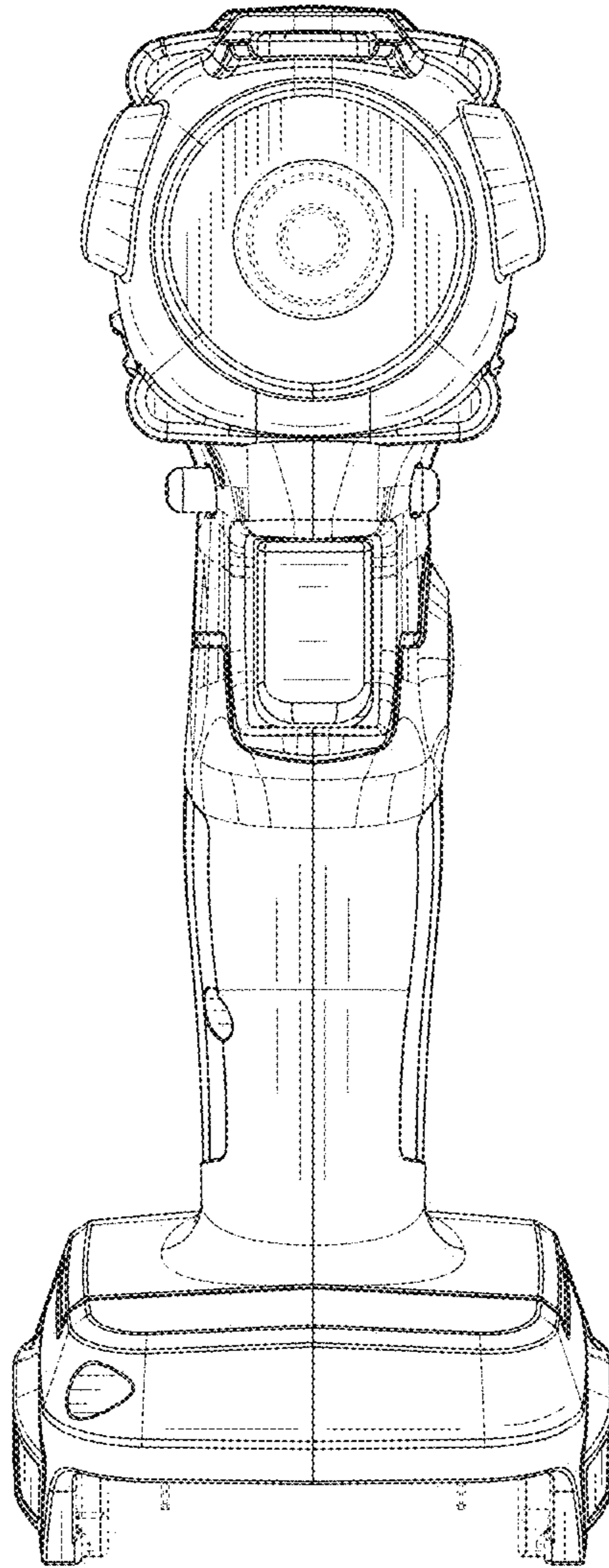


FIG. 8

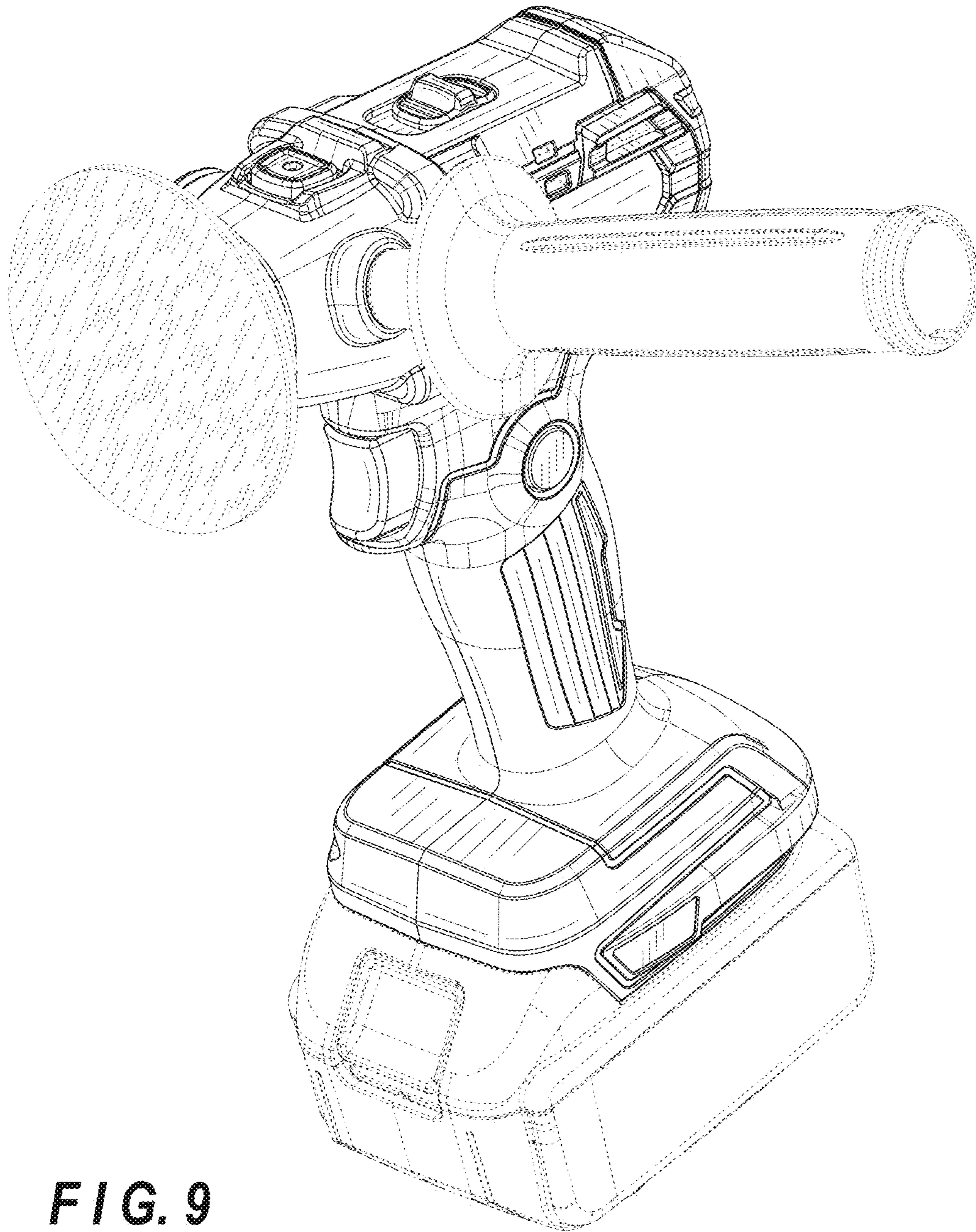


FIG. 9