

US00D957906S

(12) **United States Design Patent** (10) **Patent No.:** **US D957,906 S**
Cauley, Jr. et al. (45) **Date of Patent:** **** Jul. 19, 2022**

- (54) **ULU KNIFE WITH BOTTLE OPENER**
- (71) Applicant: **AOB Products Company**, Columbia, MO (US)
- (72) Inventors: **Dennis W. Cauley, Jr.**, Fayette, MO (US); **James Tayon**, Moberly, MO (US); **Anthony Vesich**, Columbia, MO (US); **Matthew Kinamore**, Columbia, MO (US); **Josh Neville**, Columbia, MO (US); **Curtis Smith**, Columbia, MO (US); **Mark Dalton**, Columbia, MO (US)
- (73) Assignee: **AOB Products Company**, Columbia, MO (US)
- (**) Term: **15 Years**
- (21) Appl. No.: **29/790,153**
- (22) Filed: **Nov. 9, 2021**

Related U.S. Application Data

- (62) Division of application No. 29/720,279, filed on Jan. 10, 2020, now Pat. No. Des. 938,245.
- (51) **LOC (13) Cl.** **08-03**
- (52) **U.S. Cl.**
USPC **D8/34; D8/104**
- (58) **Field of Classification Search**
USPC D8/20, 90, 91, 98-100; D15/139; D22/118
CPC .. B23D 61/121; B23D 61/123; B23D 61/126; B23D 61/128; B26B 3/06; B26B 5/00; B26B 5/001; B26B 1/02; B26B 1/04; B26B 1/08

See application file for complete search history.

- (56) **References Cited**
- U.S. PATENT DOCUMENTS

1,425,704 A	8/1922	Shek	
D109,695 S	5/1938	Calencia	
2,314,504 A *	3/1943	Lifchultz	A01K 27/004 242/379.2
D144,225 S	3/1946	Teague	
D220,598 S	4/1971	Meszaros	
3,853,283 A *	12/1974	Croce	B65H 75/48 119/796
D249,994 S	10/1978	Hall	
D263,112 S	2/1982	Ressel	
4,574,479 A	3/1986	Gramann	
4,817,221 A	4/1989	Ryan	

(Continued)

- OTHER PUBLICATIONS
- Bubba Proteus Ulu Knife, \$32.99 online on sportsmansguide.com, review Dec. 2020, 3 pages.
- (Continued)

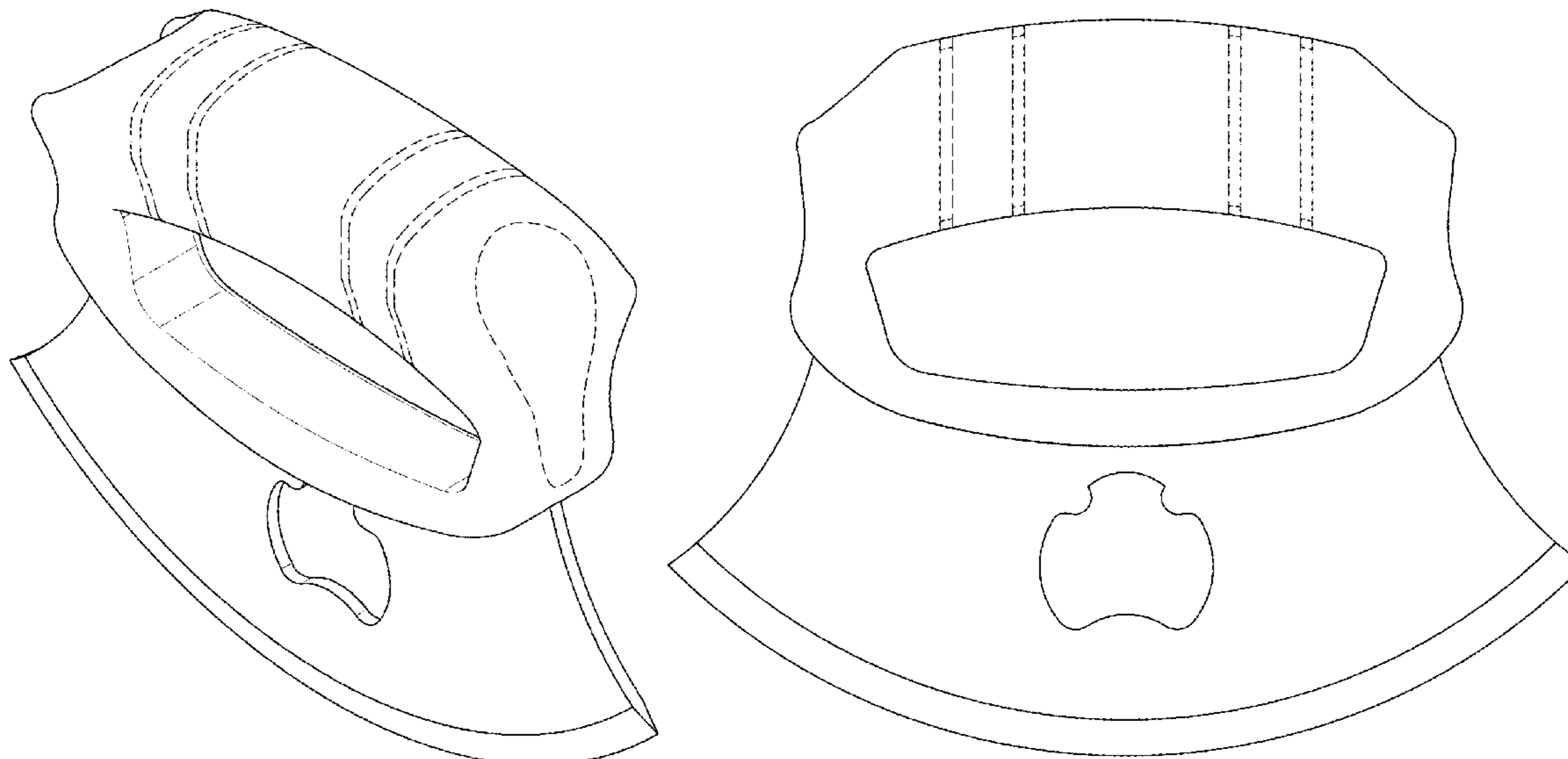
Primary Examiner — Elizabeth A. Albert
(74) *Attorney, Agent, or Firm* — Stinson LLP

- (57) **CLAIM**
- The ornamental design for an ulu knife with bottle opener, as shown and described.

DESCRIPTION

FIG. 1 is a perspective of a ulu knife with bottle opener of our new design;
FIG. 2 is a front view of the ulu knife with bottle opener;
FIG. 3 is a left side view of the ulu knife with bottle opener;
FIG. 4 is a top view of the ulu knife with bottle opener;
FIG. 5 is a rear view of the ulu knife with bottle opener;
FIG. 6 is a right side view of the ulu knife with bottle opener; and,
FIG. 7 is a bottom view of the ulu knife with bottle opener. The broken lines in FIGS. 1-7 are directed to environment and form no part of the claimed design.

1 Claim, 7 Drawing Sheets



(56)

References Cited

U.S. PATENT DOCUMENTS

D330,665 S 11/1992 Neuendorf
 D352,426 S 11/1994 Tucker
 D353,989 S 1/1995 Watson
 5,377,626 A * 1/1995 Kilsby A01K 27/004
 119/796
 D392,078 S 3/1998 Courts
 5,762,029 A * 6/1998 DuBois A01K 27/006
 119/796
 D409,270 S 5/1999 Balolia
 D457,790 S 5/2002 Wang et al.
 D475,591 S * 6/2003 Luquire D8/367
 6,792,893 B1 * 9/2004 Quintero A01K 27/004
 119/796
 6,851,215 B2 2/2005 Conrad
 6,925,967 B1 * 8/2005 Woodruff A01K 27/004
 119/796
 7,040,257 B2 * 5/2006 Waxman A01K 27/004
 242/405
 7,131,401 B2 * 11/2006 Huff A01K 27/004
 119/796
 7,207,296 B2 * 4/2007 DiDonato A01K 27/006
 119/796
 D572,563 S * 7/2008 McRoberts D8/107
 D612,694 S 3/2010 Eide et al.
 7,784,728 B2 * 8/2010 Shi A01K 27/004
 119/796
 D640,105 S 6/2011 Benz
 D662,787 S 7/2012 Holmes
 8,251,020 B2 * 8/2012 Matthews A01K 27/004
 242/396.5
 8,256,384 B2 * 9/2012 Wheeler A01K 27/006
 D30/151
 8,256,385 B2 * 9/2012 Goldenberg A01K 27/004
 119/796
 8,347,825 B2 * 1/2013 Lopez A01K 27/008
 119/72

D681,081 S 4/2013 Neal, Jr. et al.
 D730,145 S * 5/2015 Eriksson D8/107
 D742,192 S 11/2015 Morales
 9,247,717 B2 * 2/2016 Hurwitz A01K 27/006
 D765,319 S * 8/2016 Chefetz D30/153
 9,414,572 B2 * 8/2016 O'Brien A01K 27/004
 9,717,218 B2 * 8/2017 O'Brien B65H 75/4431
 D811,837 S 3/2018 Brandes
 D832,072 S 10/2018 McGinnis
 D833,843 S 11/2018 Stahle, Jr.
 10,420,327 B2 * 9/2019 Zhu A01K 27/004
 D873,708 S * 1/2020 Paik D11/221
 10,582,700 B2 * 3/2020 Vilardi A01K 27/006
 10,702,084 B2 7/2020 Knapp
 D903,040 S 11/2020 Dark, II
 D911,795 S 3/2021 Su
 11,134,657 B2 * 10/2021 Tang A01K 27/004
 2004/0237906 A1 * 12/2004 Waxman A01K 27/004
 119/796
 2006/0162674 A1 * 7/2006 Neiser A01K 27/006
 119/795
 2006/0162675 A1 * 7/2006 Ghalebi A01K 27/006
 119/796
 2006/0201450 A1 * 9/2006 Jordan A63B 23/04
 119/796
 2006/0266300 A1 * 11/2006 Perkitny A01K 27/004
 119/713
 2010/0302767 A1 * 12/2010 Mattheis F21V 21/406
 362/184
 2014/0251098 A1 9/2014 Qian

OTHER PUBLICATIONS

Bubba Blade Proteus Ulu Knife, Item No. 1989606, \$39.95, online on Smokey Mountain Knife Works, smkw.com, review by David P. on Nov. 30, 2020, 3 pages.

* cited by examiner

FIG. 1

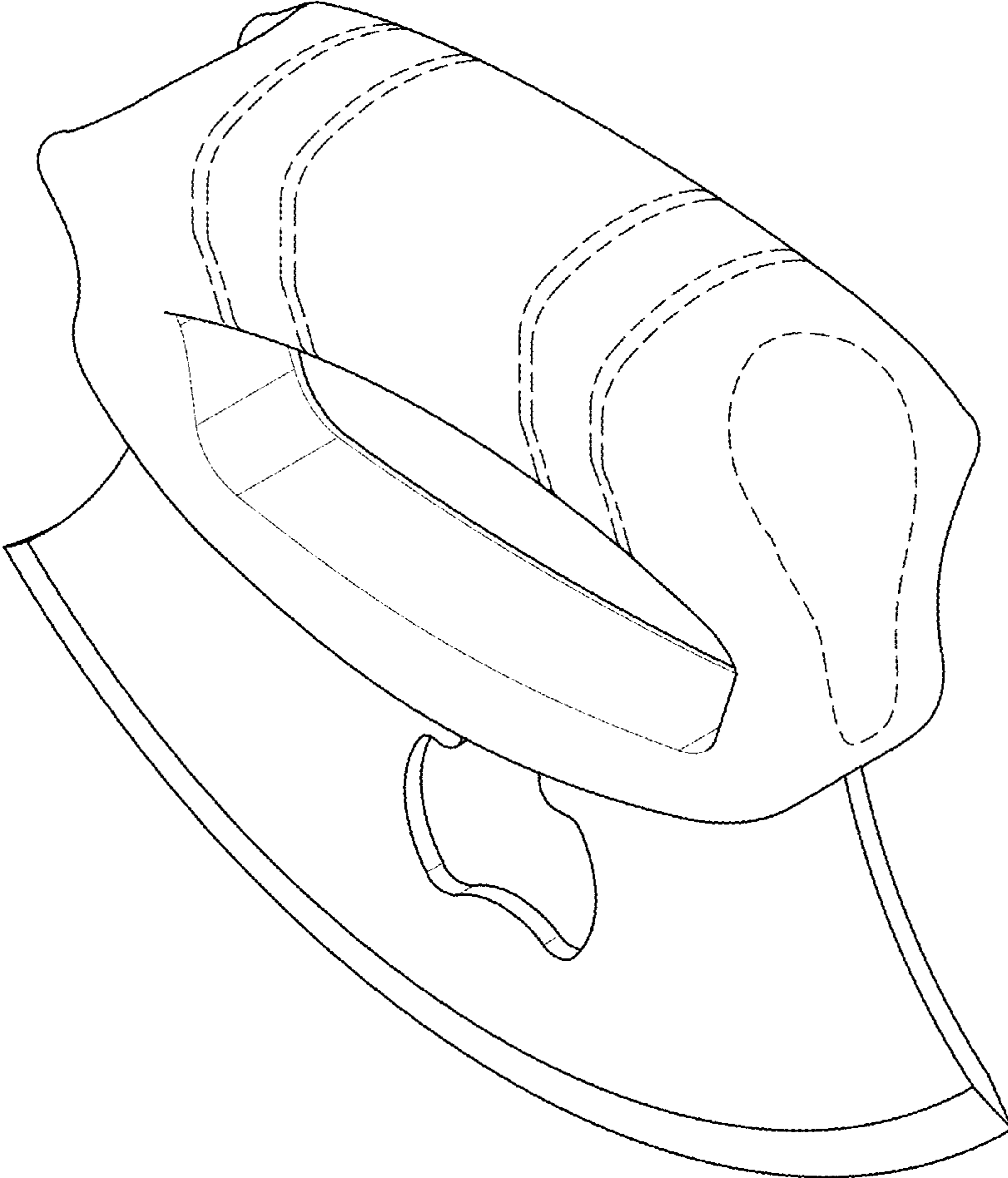


FIG. 2

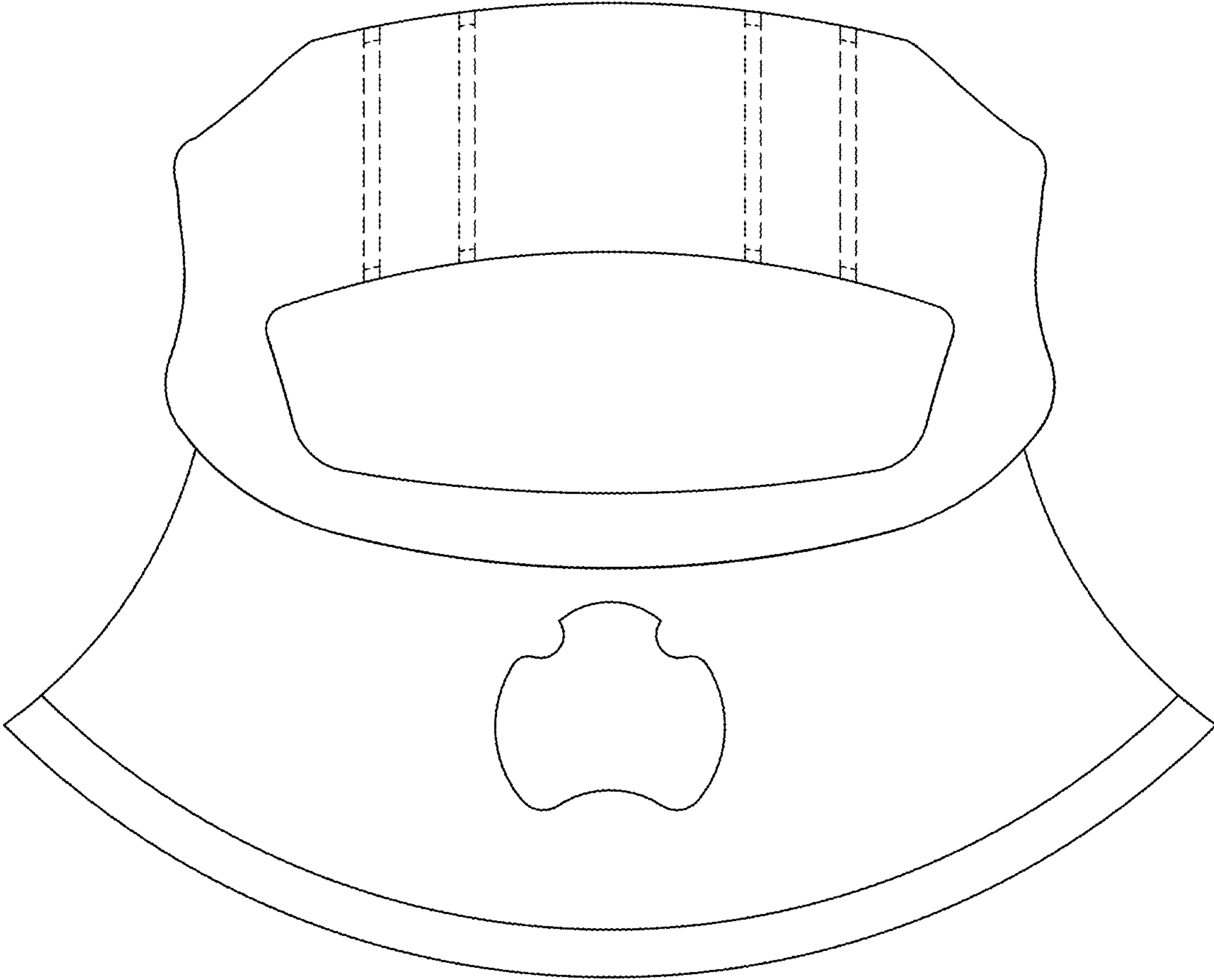


FIG. 3

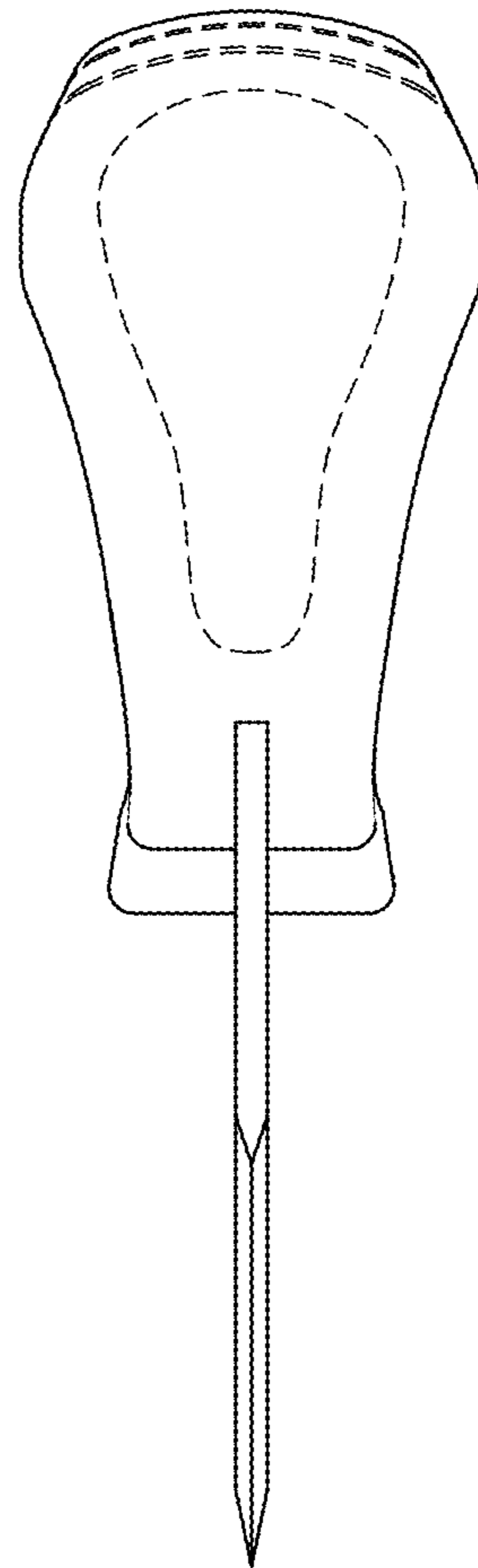


FIG. 4

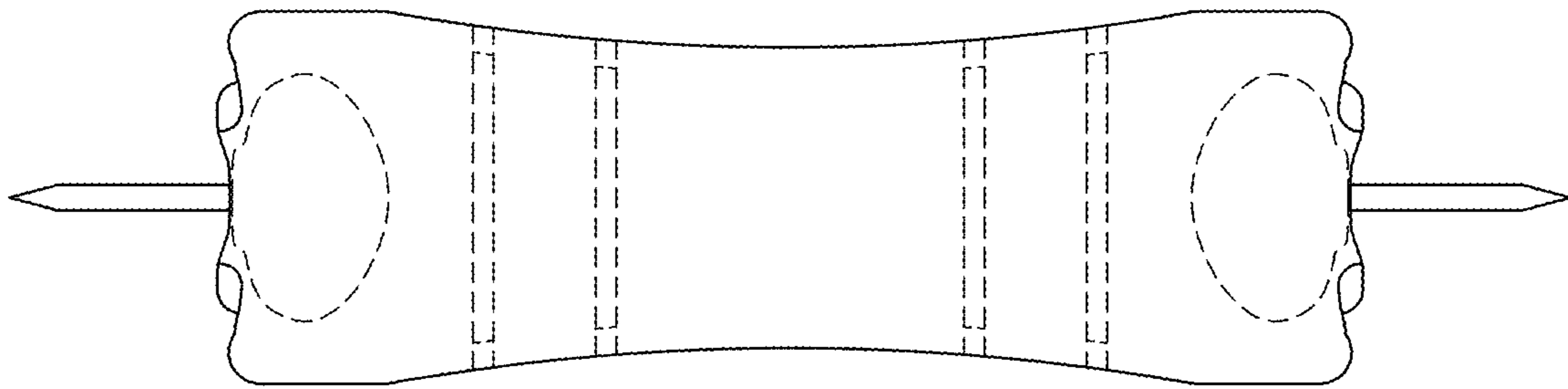


FIG. 5

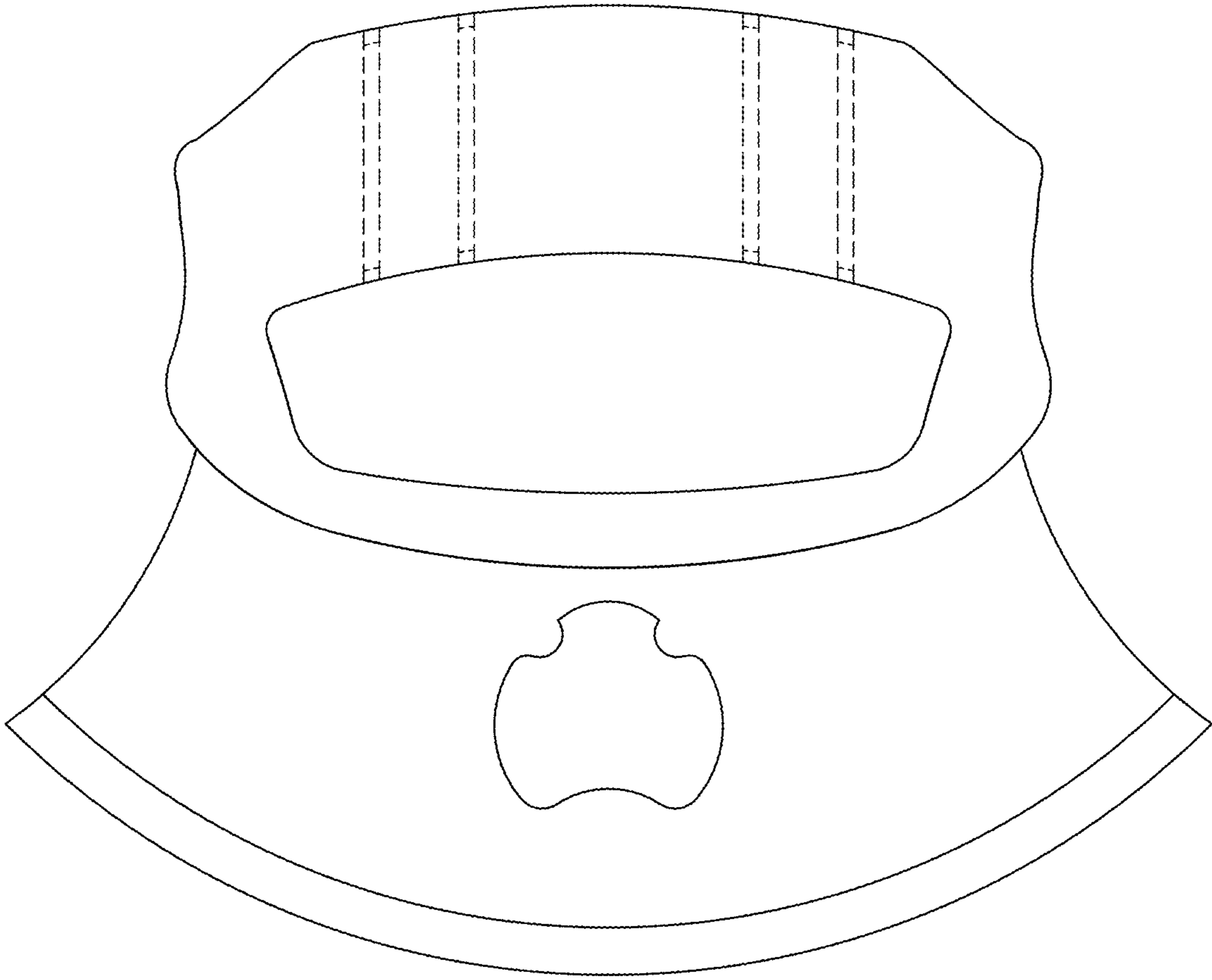


FIG. 6

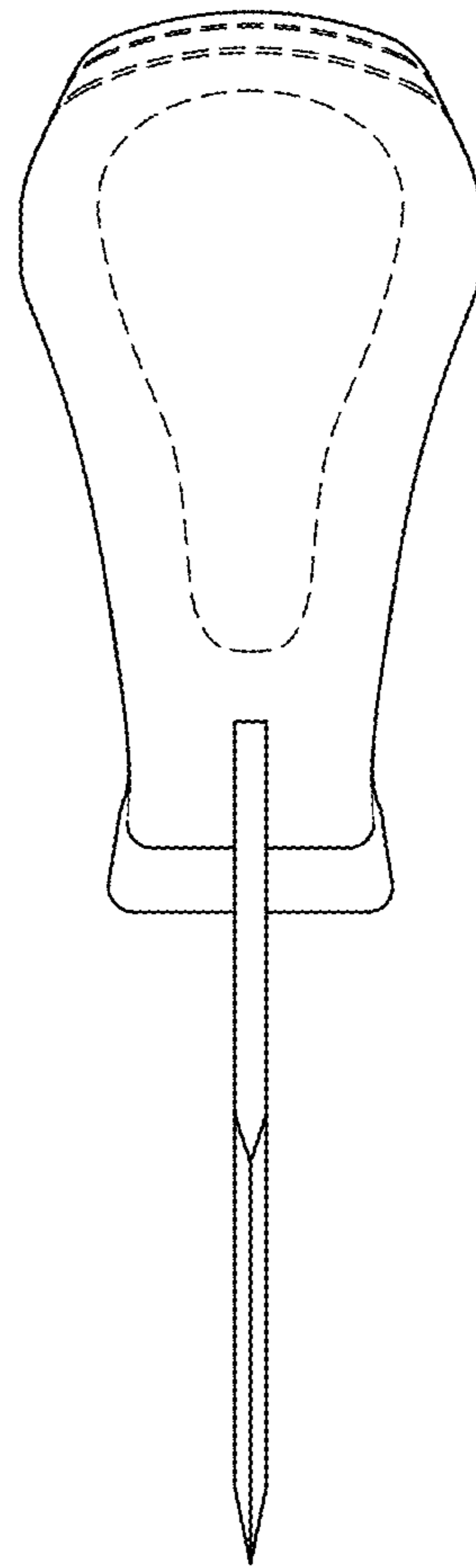


FIG. 7

