



US00D957901S

(12) **United States Design Patent**  
**Liao**

(10) **Patent No.:** **US D957,901 S**  
(45) **Date of Patent:** **\*\* Jul. 19, 2022**

- (54) **FUNNEL**
- (71) Applicant: **LIH YANN INDUSTRIAL CO., LTD.,**  
Taichung (TW)
- (72) Inventor: **Po-Lin Liao,** Taichung (TW)
- (73) Assignee: **LIH YANN INDUSTRIAL CO., LTD.,**  
Taichung (TW)
- (\*\*) Term: **15 Years**
- (21) Appl. No.: **29/745,864**
- (22) Filed: **Aug. 10, 2020**
- (51) **LOC (13) Cl.** ..... **07-99**
- (52) **U.S. Cl.**  
USPC ..... **D7/700**
- (58) **Field of Classification Search**  
USPC ..... D7/700, 400  
CPC ..... B67C 11/00; B67C 11/02; B67C 11/20;  
B67C 11/30; B67C 2011/30  
See application file for complete search history.

4,231,876 A \* 11/1980 Zimmermann ..... A47J 31/06  
D7/700  
4,559,984 A \* 12/1985 Wycech ..... B67C 11/00  
285/425  
10,519,019 B2 \* 12/2019 Kuo ..... B67C 11/02

\* cited by examiner

*Primary Examiner* — Terry A Wallace  
(74) *Attorney, Agent, or Firm* — Muncy, Geissler, Olds & Lowe, P.C.

(57) **CLAIM**

I claim the ornamental design for a funnel, as shown and described.

**DESCRIPTION**

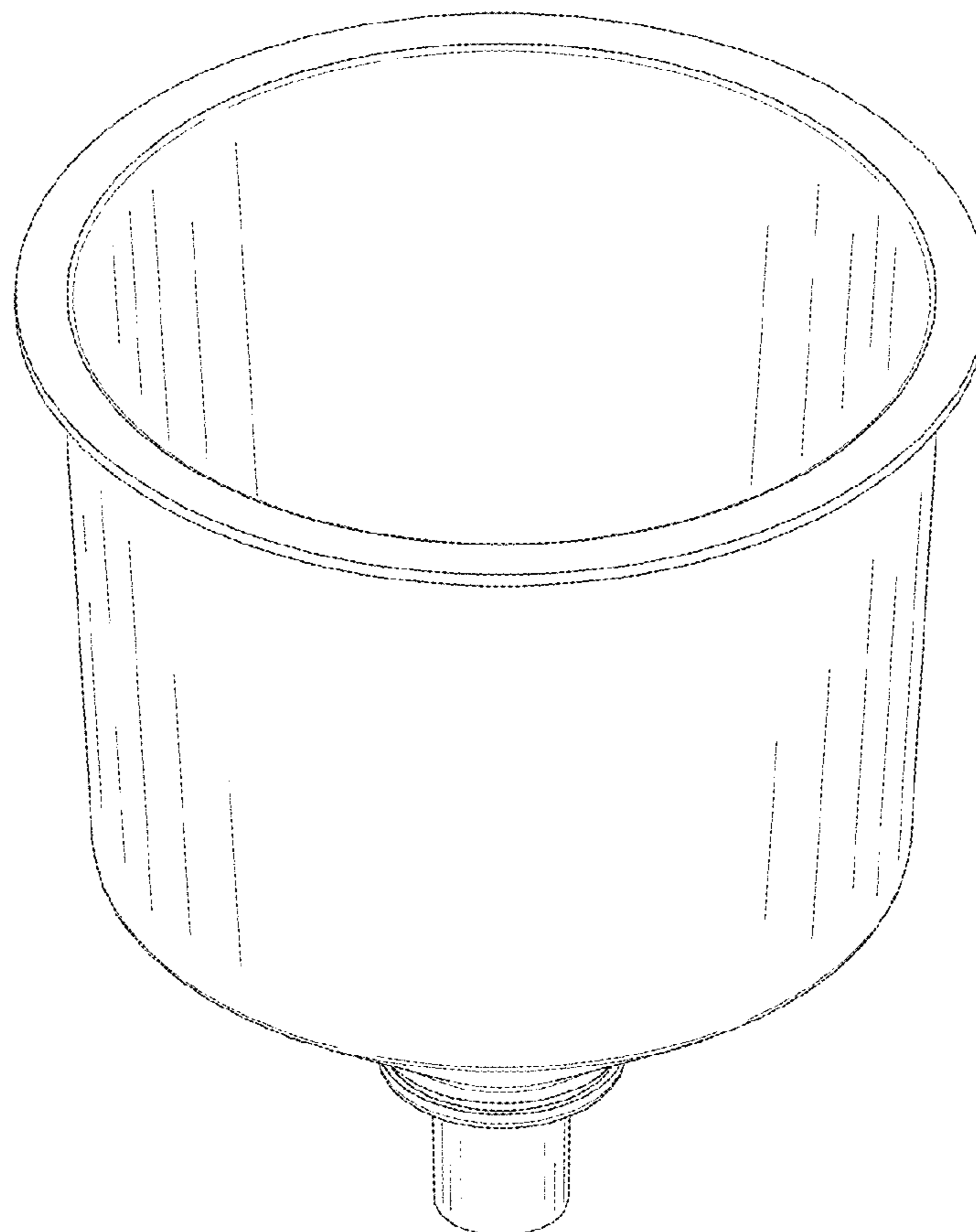
FIG. 1 is a top, front, right perspective view of a funnel showing my new design;  
 FIG. 2 is a front elevational view thereof;  
 FIG. 3 is a rear elevational view thereof;  
 FIG. 4 is a left side view thereof;  
 FIG. 5 is a right side view thereof;  
 FIG. 6 is a top plan view thereof;  
 FIG. 7 is a bottom plan view thereof; and,  
 FIG. 8 is a perspective cross-sectional view.

(56) **References Cited**

**U.S. PATENT DOCUMENTS**

- 1,050,028 A \* 1/1913 Jarratt ..... B01D 65/00  
D7/700
- D153,202 S \* 3/1949 Beller ..... D7/700

**1 Claim, 8 Drawing Sheets**



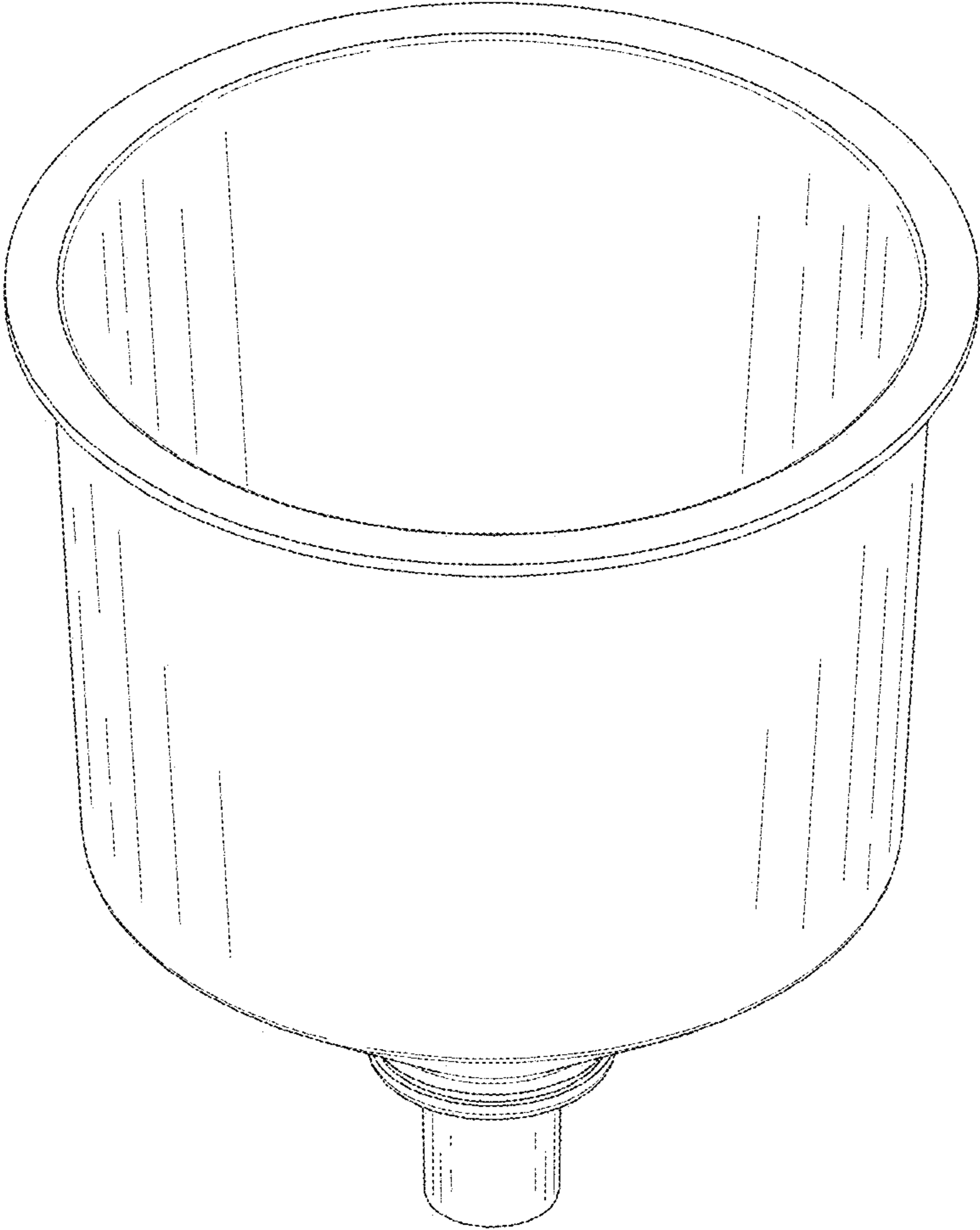


FIG. 1

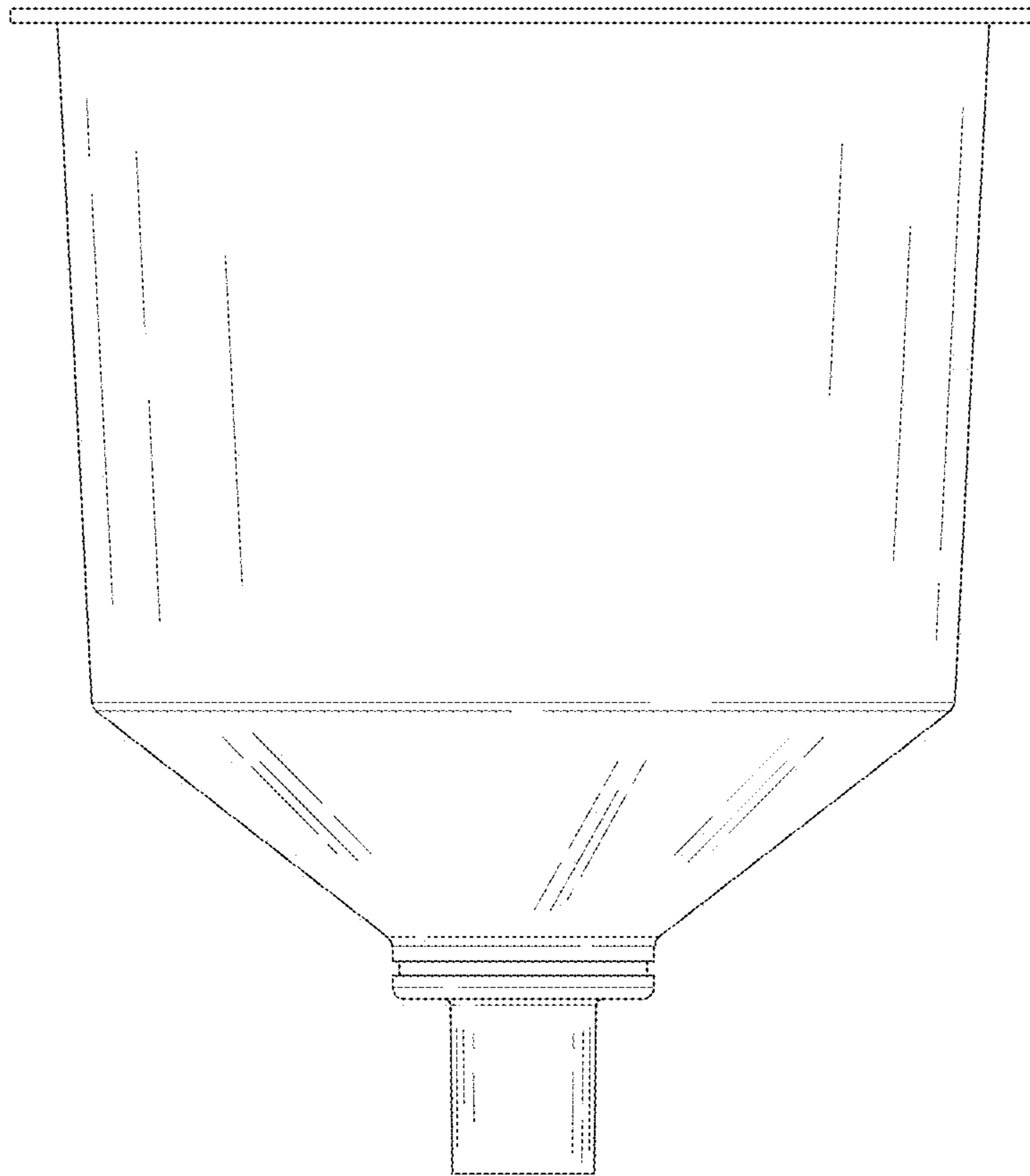


FIG. 2

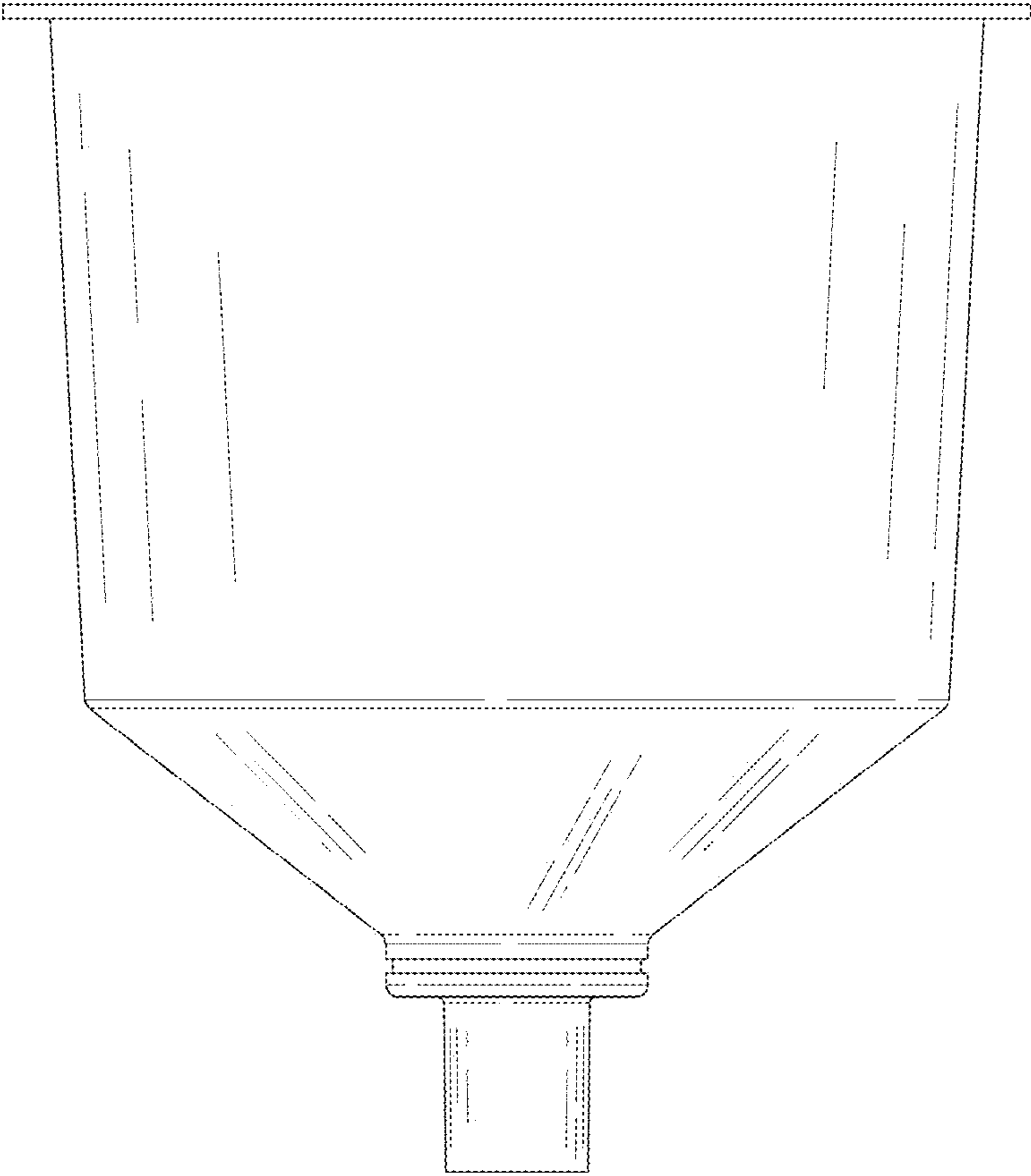


FIG. 3

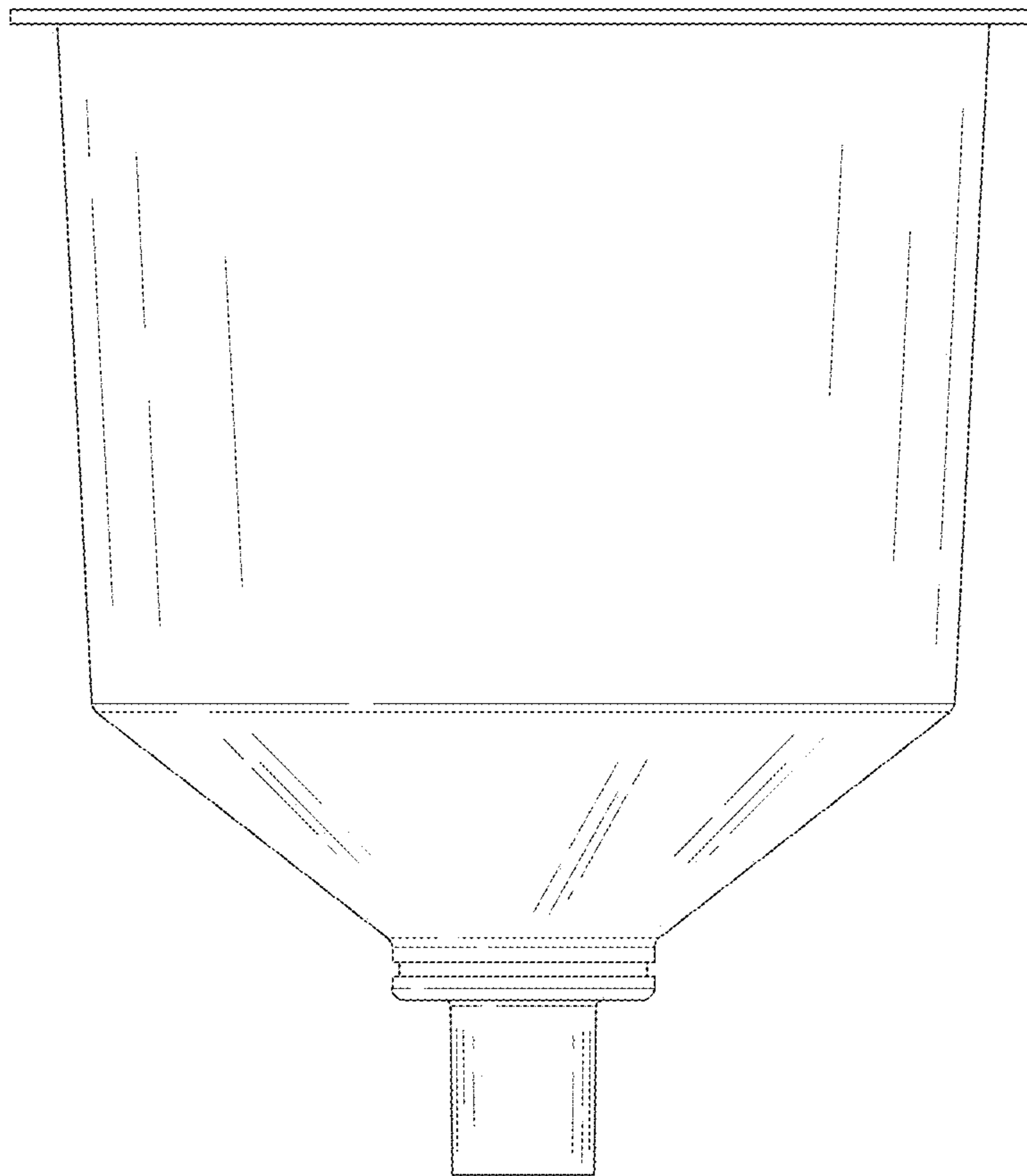


FIG. 4

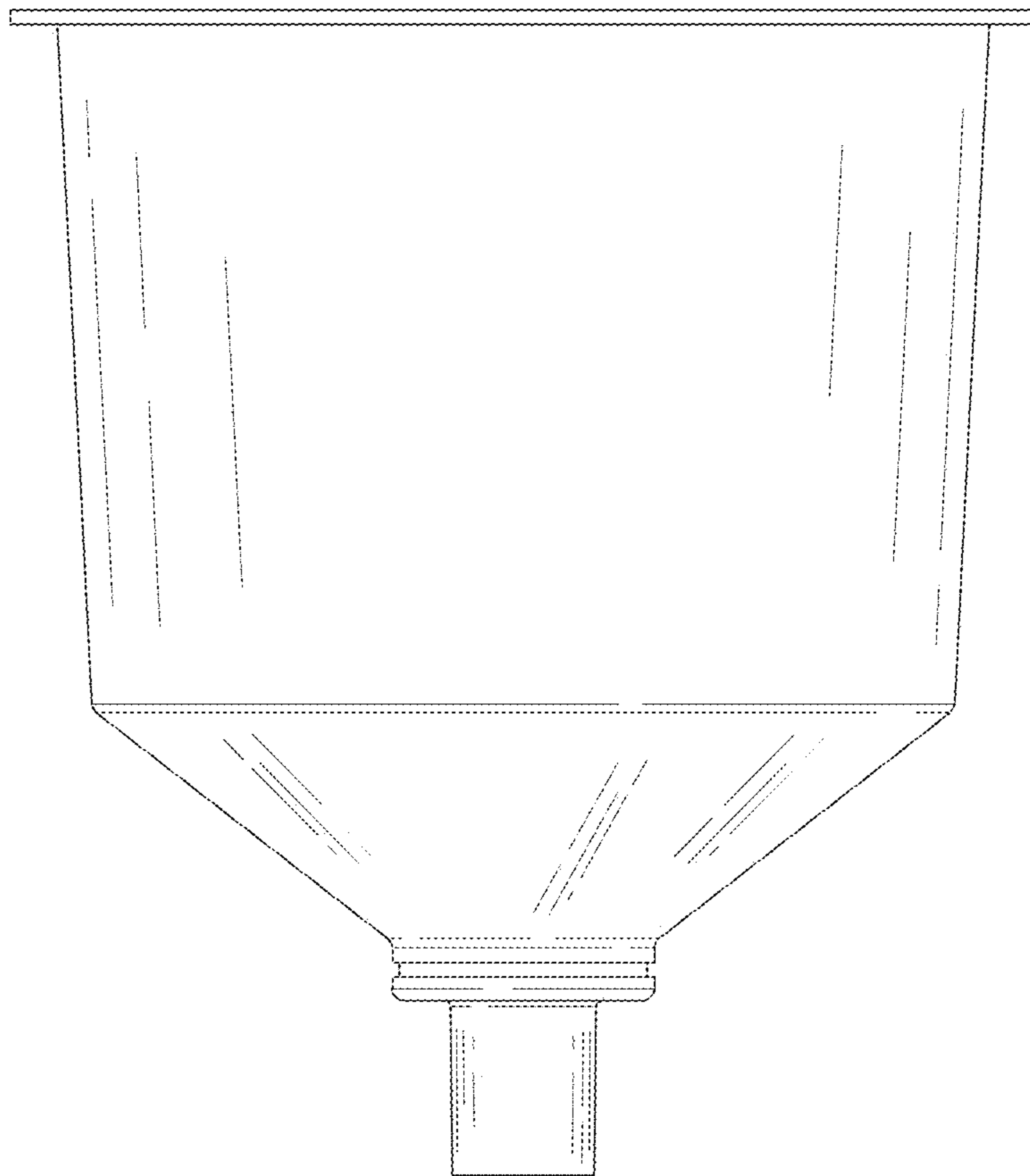


FIG. 5

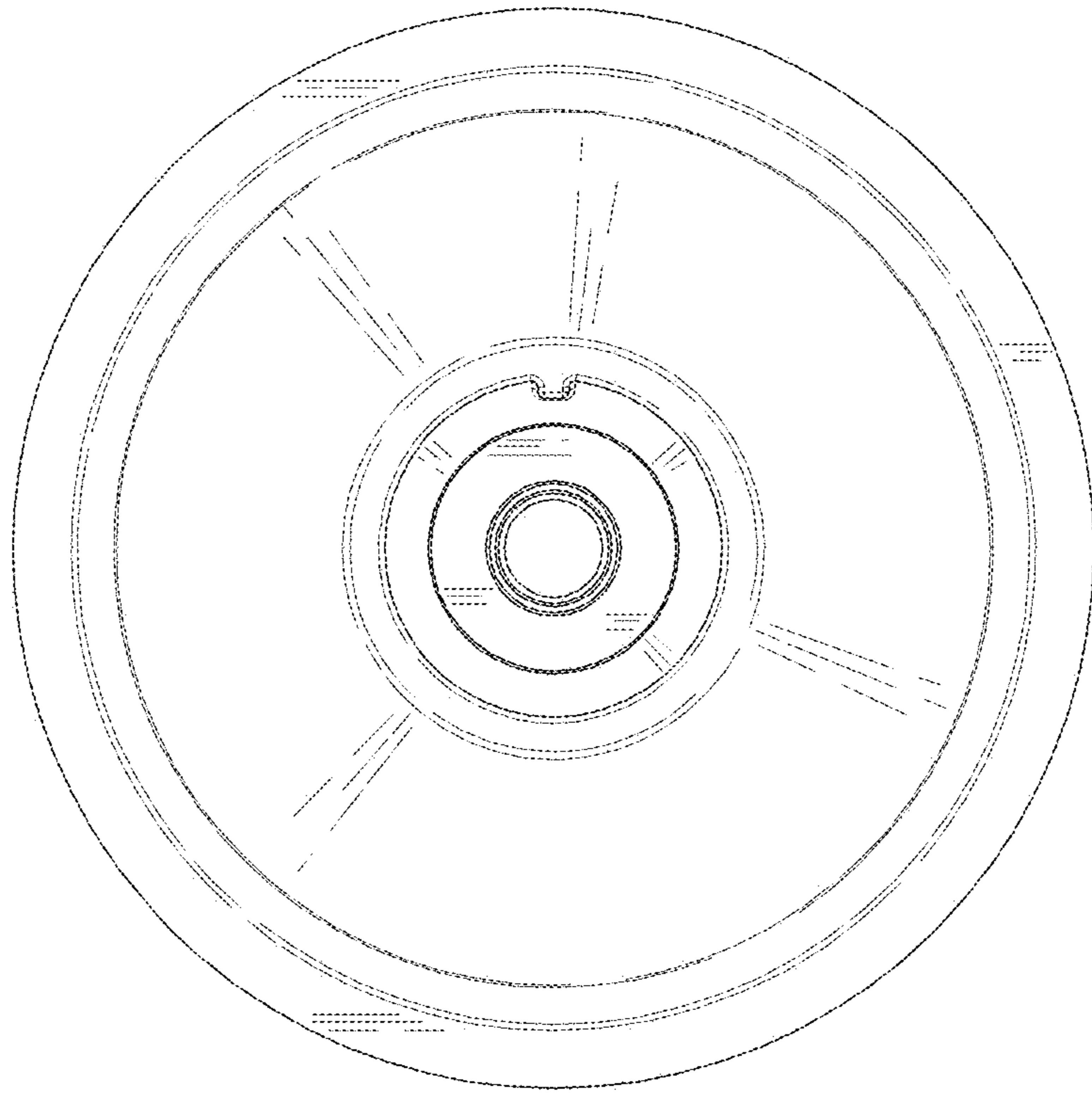


FIG. 6

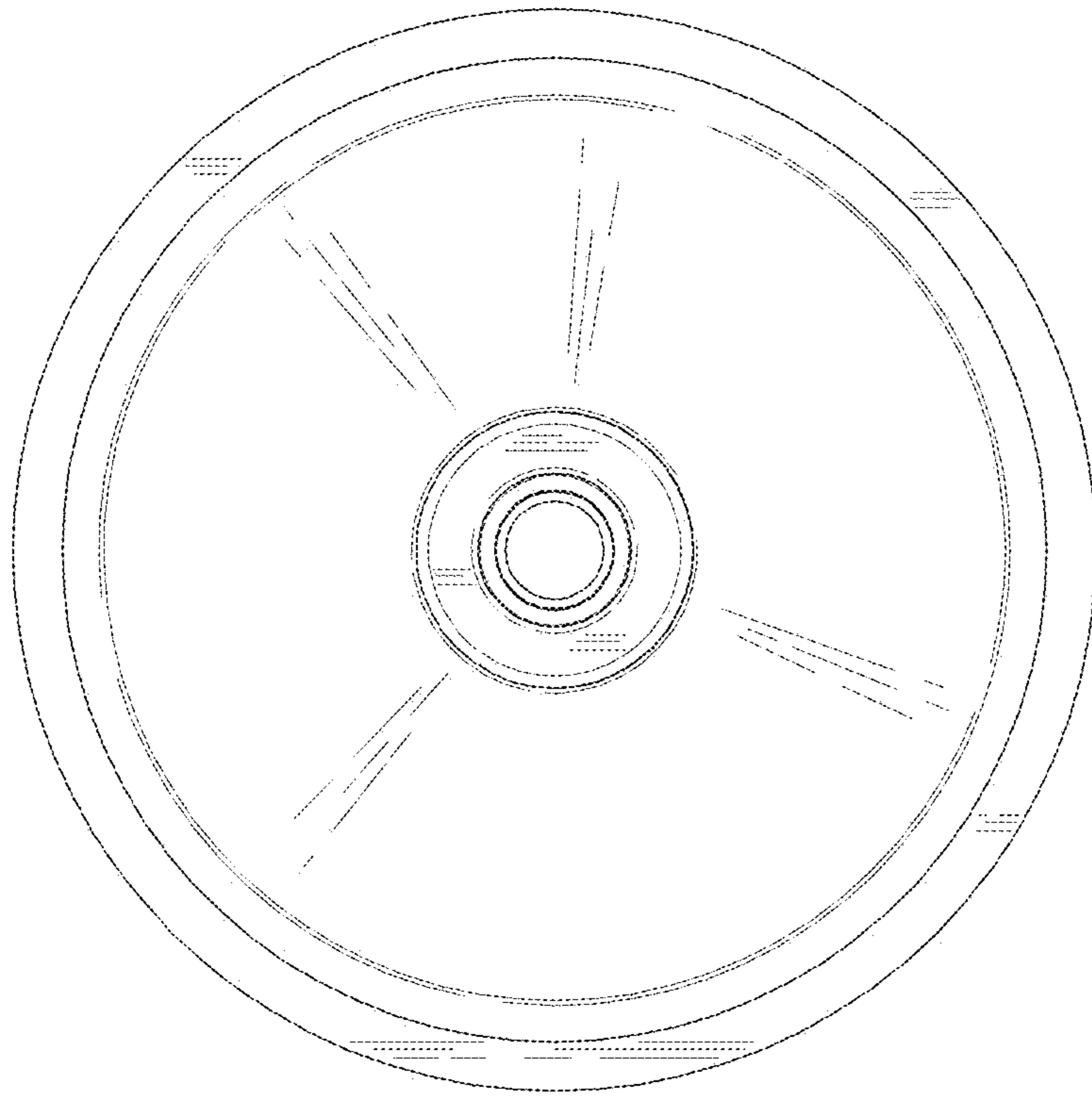


FIG. 7



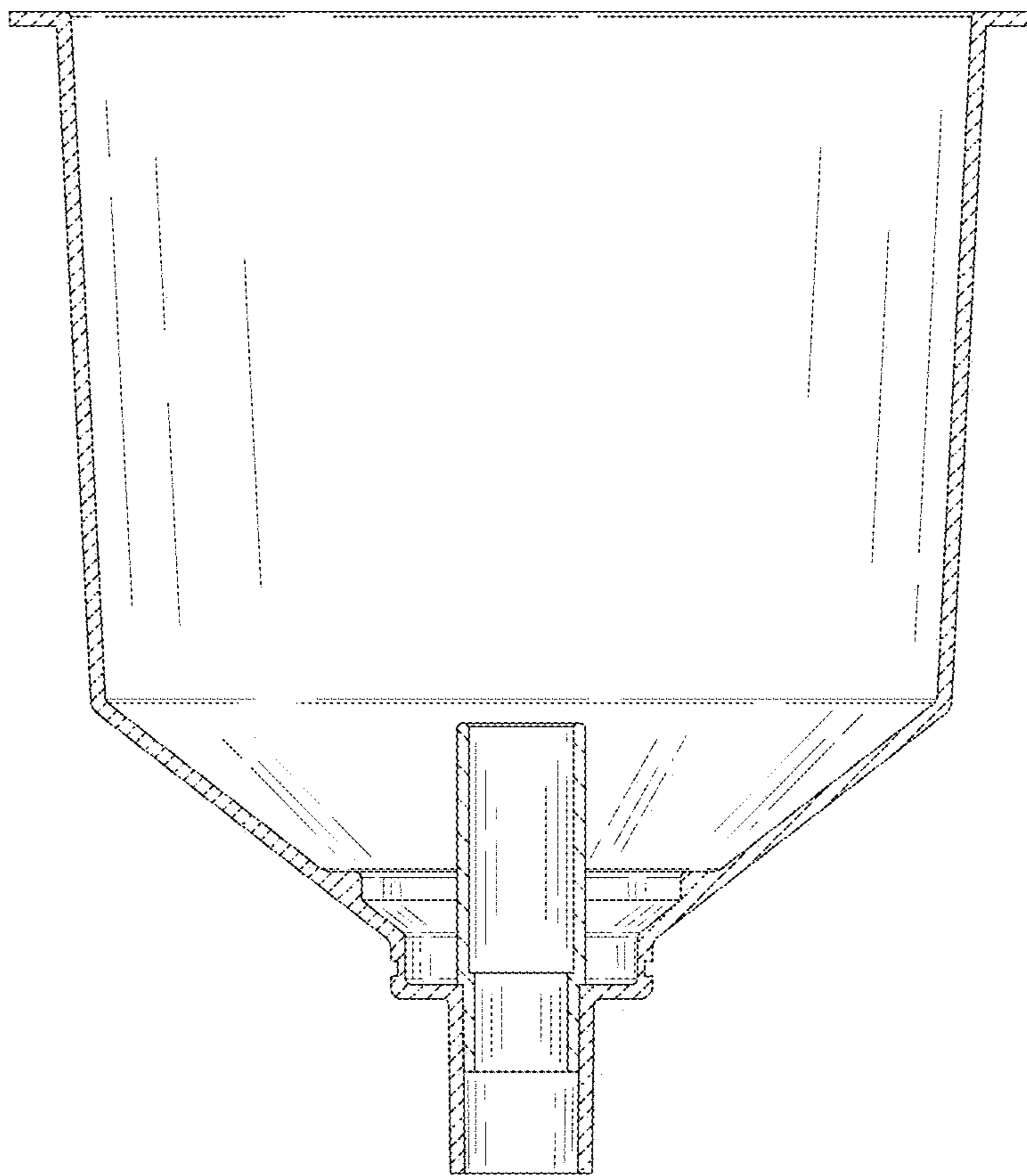


FIG. 8