



US00D957900S

(12) **United States Design Patent**  
**Caldwell**

(10) **Patent No.:** **US D957,900 S**  
(45) **Date of Patent:** **\*\* Jul. 19, 2022**

- (54) **ADJUSTABLE FOOD SCOOP**
- (71) Applicant: **Kevin Caldwell**, Perth Amboy, NJ (US)
- (72) Inventor: **Kevin Caldwell**, Perth Amboy, NJ (US)
- (\*\*) Term: **15 Years**
- (21) Appl. No.: **29/745,534**
- (22) Filed: **Aug. 6, 2020**
- (51) **LOC (13) Cl.** ..... **07-04**
- (52) **U.S. Cl.**  
USPC ..... **D7/691; D10/46.3**
- (58) **Field of Classification Search**  
USPC ..... D7/368, 669, 680-696; D10/46.2, 46.3;  
D24/116  
CPC ..... G01F 19/002; A01K 5/00; A47F 13/00;  
A47F 13/08  
See application file for complete search history.

- D419,400 S \* 1/2000 Martinez ..... D7/691
- 7,086,282 B2 \* 8/2006 Kilduff ..... G01F 19/002  
73/426
- D543,799 S \* 6/2007 Hood ..... D7/691
- 7,503,212 B2 \* 3/2009 Dalla Piazza ..... G01F 19/002  
73/429
- 8,562,051 B2 \* 10/2013 Swanepoel ..... E01H 1/12  
294/1.3
- 9,103,708 B2 \* 8/2015 Robbins ..... G01F 19/002

\* cited by examiner

*Primary Examiner* — Terry A Wallace  
(74) *Attorney, Agent, or Firm* — Gearhart Law LLC

(57) **CLAIM**

The ornamental design for an adjustable food scoop, as shown and described.

**DESCRIPTION**

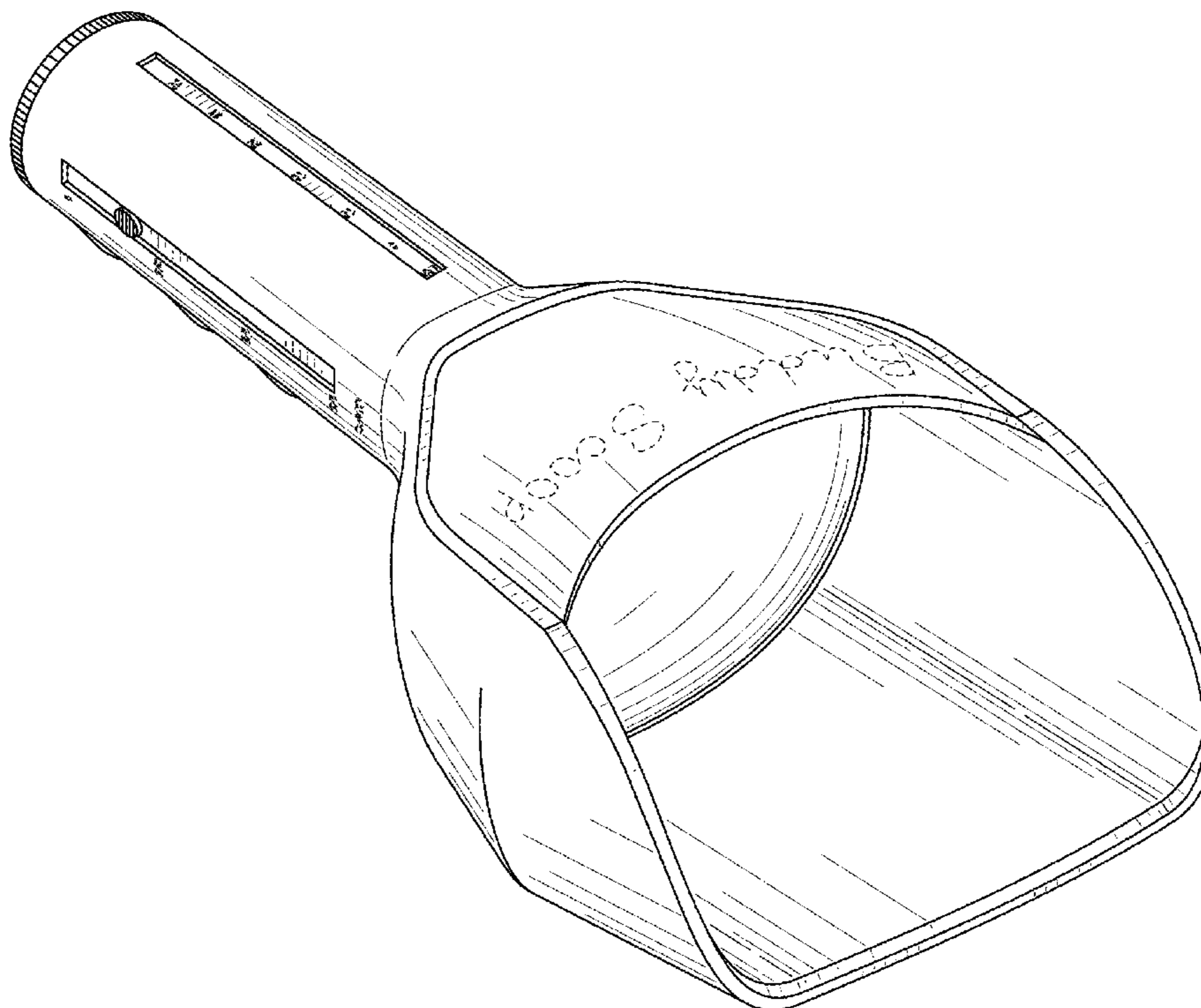
FIG. 1 is a perspective view of an adjustable food scoop. FIG. 2 is a right side view thereof. FIG. 3 is a left side view thereof. FIG. 4 is a front view thereof. FIG. 5 is a back view thereof. FIG. 6 is a top view thereof; and, FIG. 7 is a bottom view thereof. The dashed lines shown in the drawings illustrating measurement indicators and wording across a portion of the top surface of the adjustable food scoop form no part of the claimed design.

(56) **References Cited**

**U.S. PATENT DOCUMENTS**

- 3,490,501 A \* 1/1970 Rene ..... G01F 19/00  
141/331
- D276,555 S \* 11/1984 Noble ..... D10/46.2
- 4,646,795 A \* 3/1987 Hebron ..... A01K 5/00  
141/98
- D301,930 S \* 6/1989 Cantu ..... 453/60
- D318,350 S \* 7/1991 Muffuletto ..... D32/35
- 5,325,717 A \* 7/1994 Robbins ..... G01F 19/00  
73/426
- 5,460,042 A \* 10/1995 Tucker ..... G01F 19/002  
73/426
- D415,662 S \* 10/1999 Schneider ..... D7/700

**1 Claim, 6 Drawing Sheets**



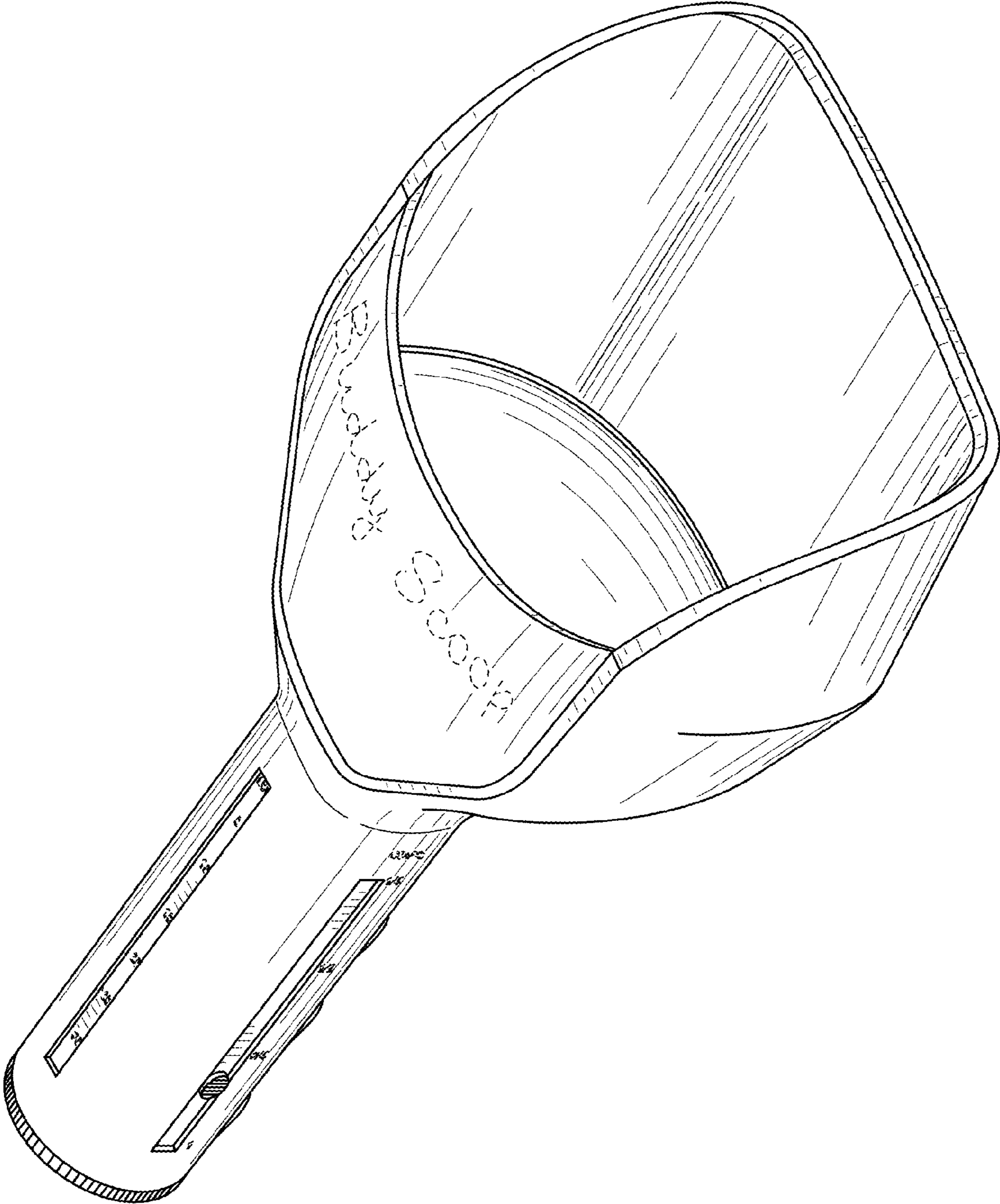


FIG. 1

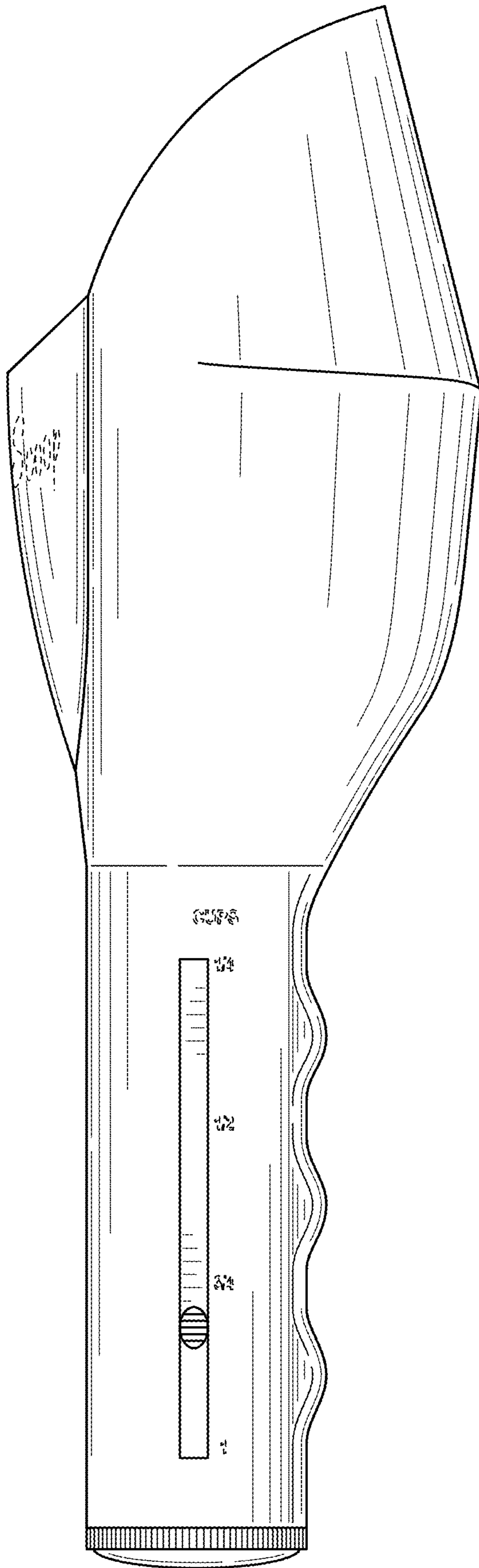


FIG. 2

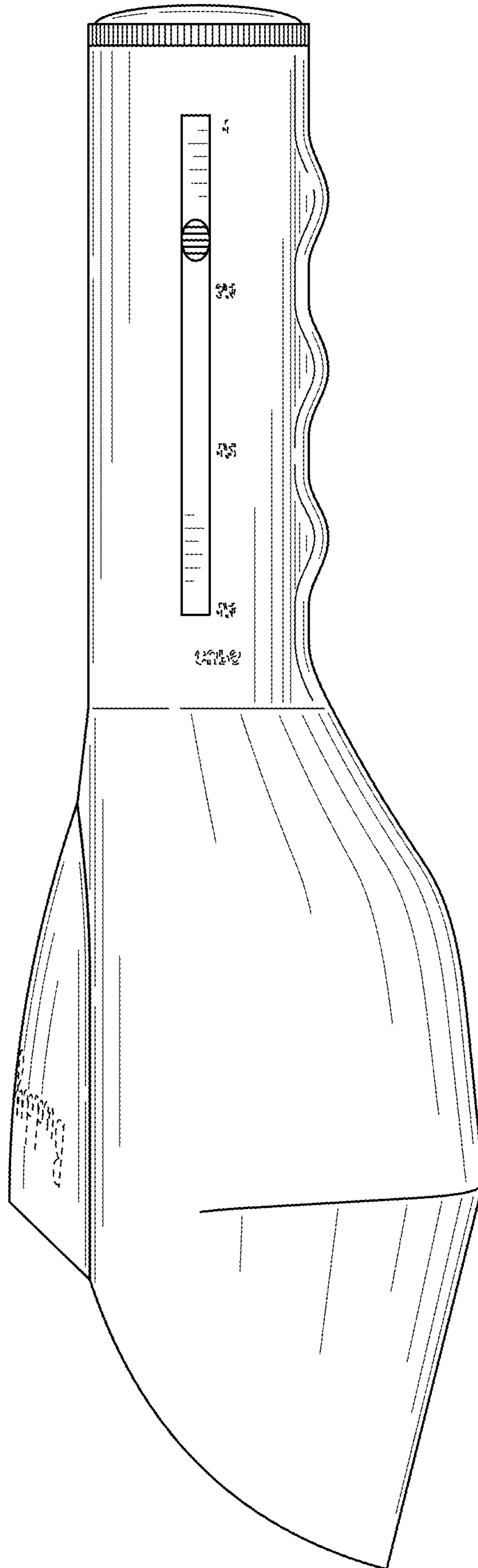


FIG. 3

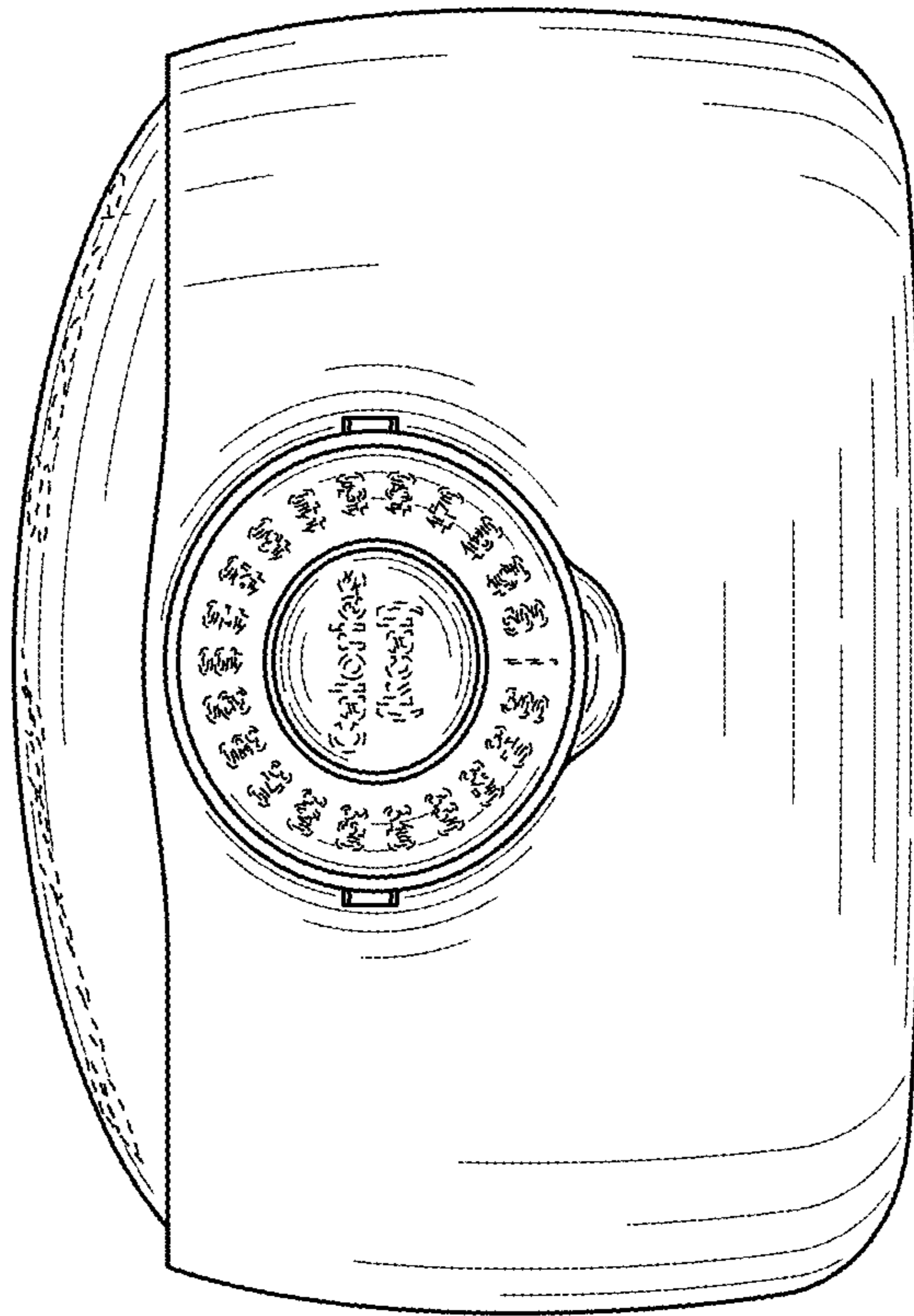


FIG. 4

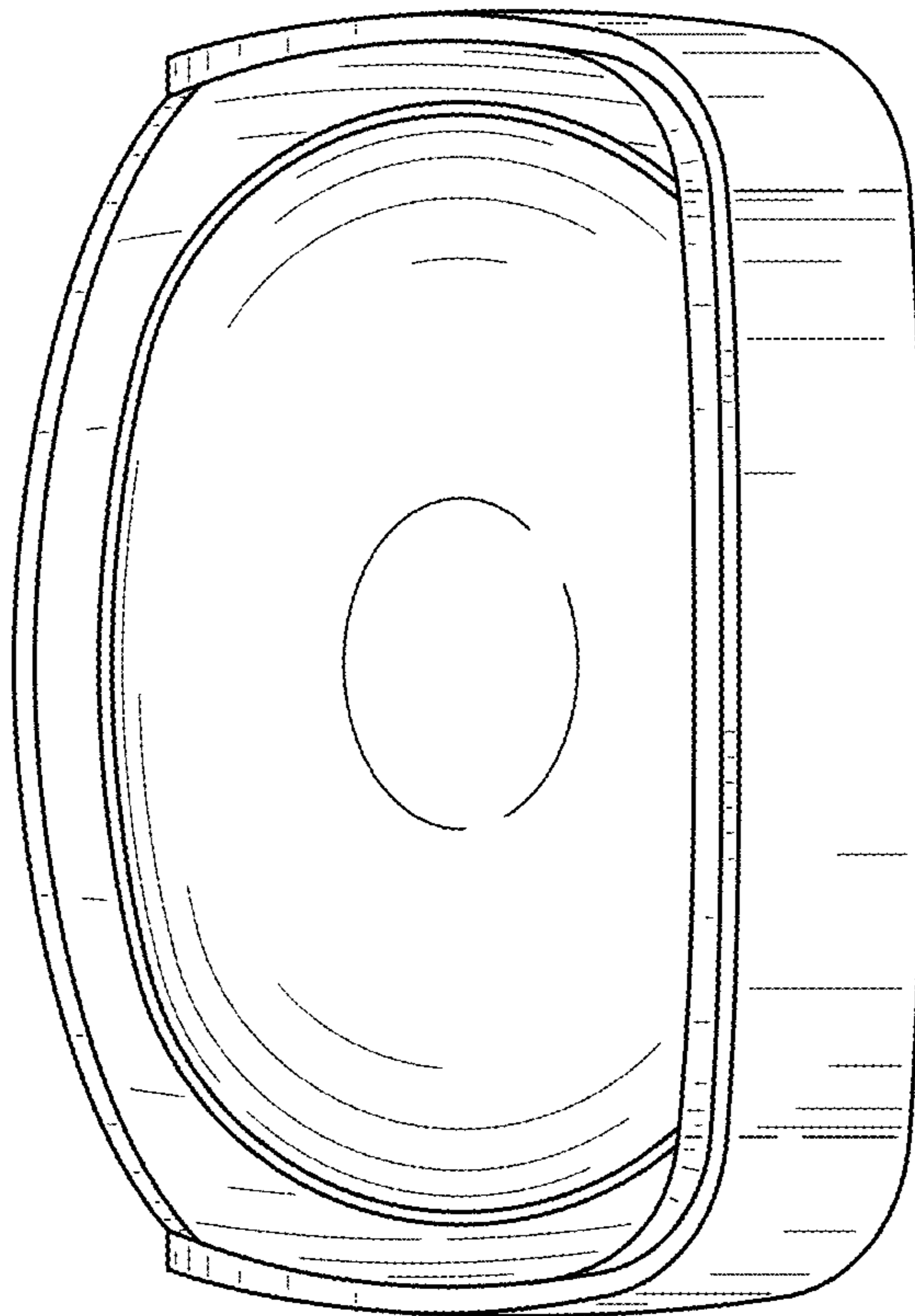


FIG. 5

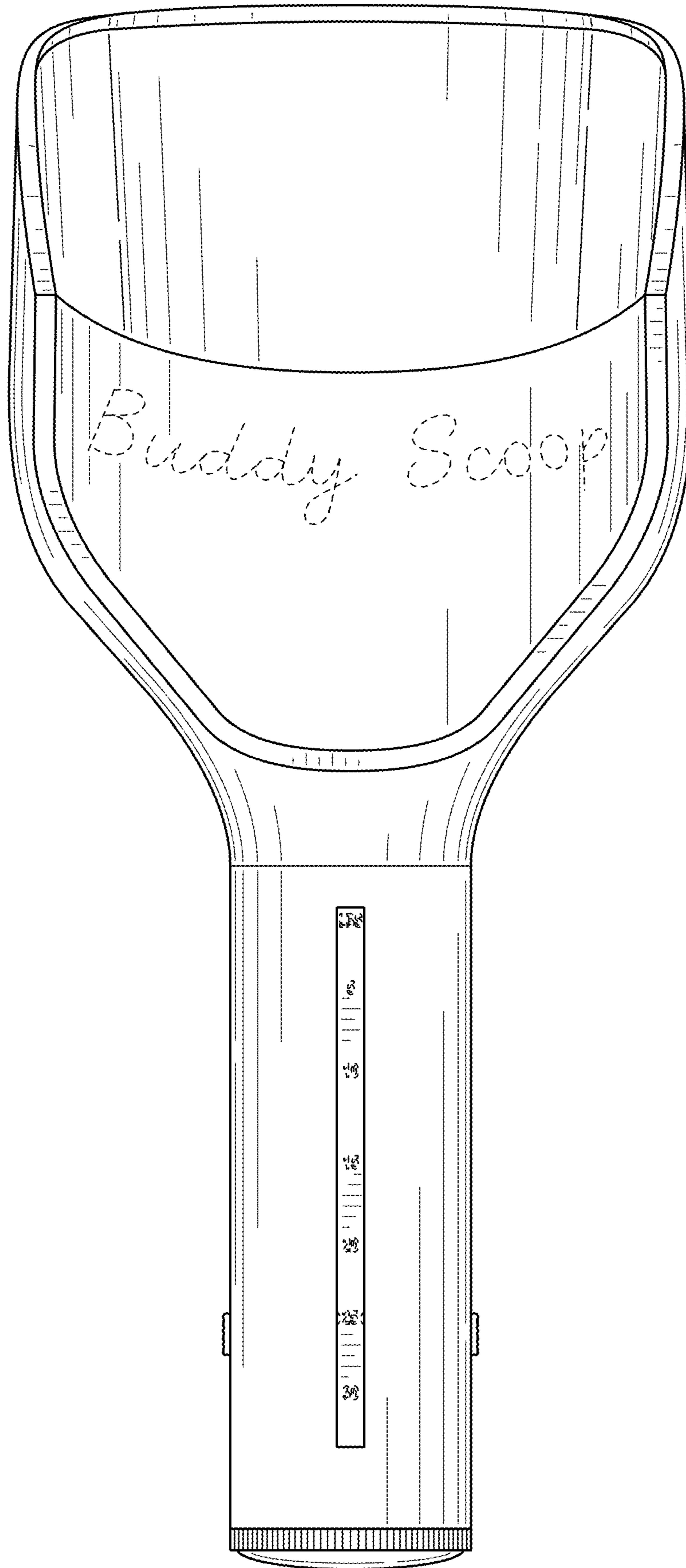


FIG. 6

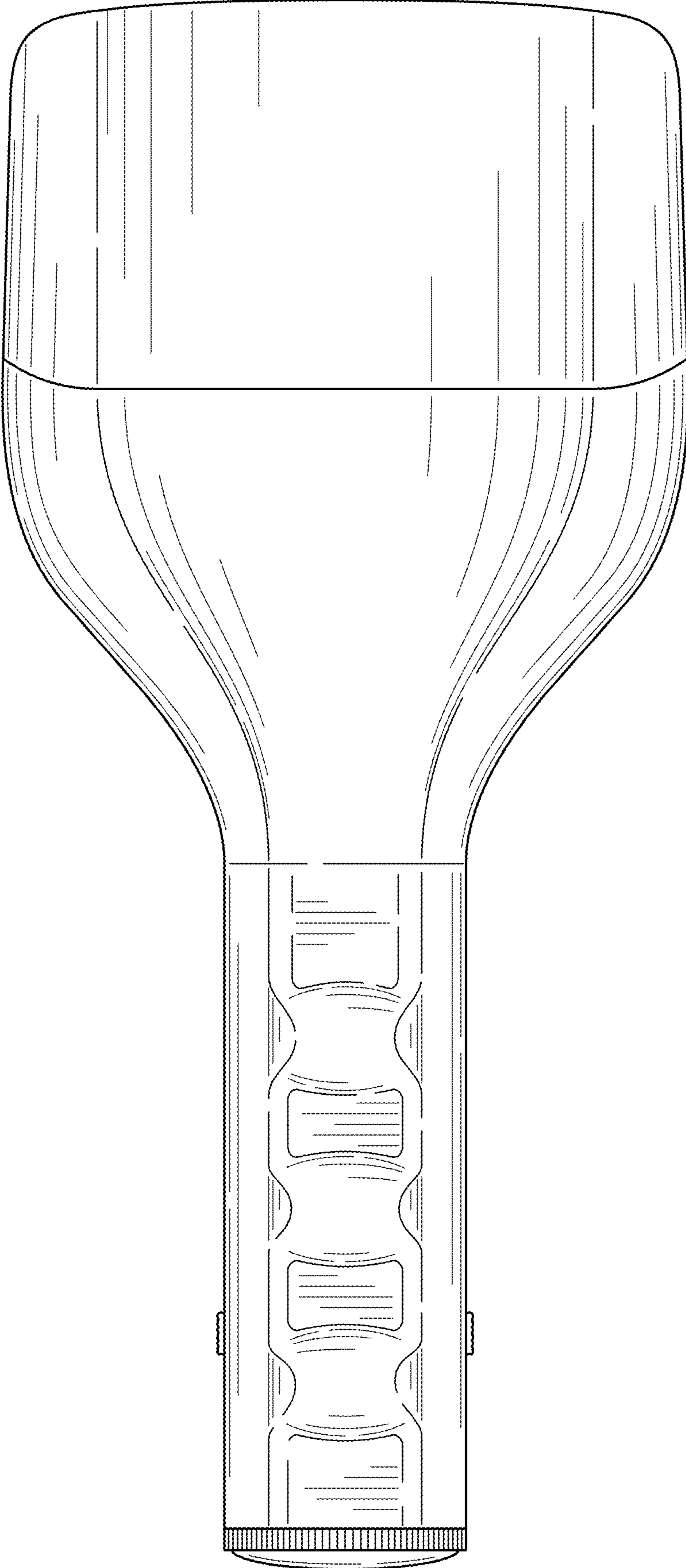


FIG. 7