

US00D957897S

(12) **United States Design Patent**
Javed

(10) **Patent No.:** **US D957,897 S**

(45) **Date of Patent:** **** Jul. 19, 2022**

(54) **MEAT INJECTOR KIT**

(71) Applicant: **MHJ Business LLC**, Laurel, MD (US)

(72) Inventor: **Moghees Hassan Javed**, Depalpur (PK)

(73) Assignee: **MHJ Business LLC**, Laurel, MD (US)

(**) Term: **15 Years**

(21) Appl. No.: **29/779,887**

(22) Filed: **Apr. 21, 2021**

(51) **LOC (13) Cl.** **07-04**

(52) **U.S. Cl.**
USPC **D7/669**

(58) **Field of Classification Search**

USPC D7/368, 369–371, 380, 381, 387, 412,
D7/415, 665, 667–669, 671, 683;
D4/127, 128, 130–134; D8/29.2, 30, 61,
D8/68; D24/112, 114, 130; 99/532
CPC A22C 9/00; A22C 9/001; A22C 9/008;
A22C 17/0053; A23L 13/72; A47J 43/00;
A47J 43/16; A47J 43/28; A61M 5/3129;
A61M 5/3135; A61M 5/315

See application file for complete search history.

(56) **References Cited**

U.S. PATENT DOCUMENTS

1,798,116 A 3/1931 Brockway
D92,176 S * 5/1934 Hughes D7/671
2,823,675 A 2/1958 Sciurba
2,887,035 A 5/1959 De Seversky
3,082,681 A 3/1963 Petersen

(Continued)

FOREIGN PATENT DOCUMENTS

CN 203089194 U 7/2013

OTHER PUBLICATIONS

REXBETI Stainless Steel Meat Injector Syringe, first available Aug. 30, 2018, Amazon, [online], [site visited Dec. 2, 2021], Available

from internet URL: <https://www.amazon.sg/REXBETI-Stainless-Injector-Marinade-Capacity/dp/B07GZGG45R> (Year: 2018).*

(Continued)

Primary Examiner — Mary Ann Calabrese

Assistant Examiner — Natalya M Rapundalo

(74) *Attorney, Agent, or Firm* — West & Associates, A PC; Stuart J. West

(57) **CLAIM**

The ornamental design for a meat injector kit, as shown and described.

DESCRIPTION

FIG. 1 depicts a front view of the meat injector, shown separately from the rest of the kit for clarity of the disclosure.

FIG. 2 depicts a top view of the meat injector shown in FIG. 1.

FIG. 3 depicts a left side view of the meat injector shown in FIG. 1.

FIG. 4 depicts a right side view of the meat injector shown in FIG. 1.

FIG. 5 depicts a perspective view of the meat injector shown in FIG. 1.

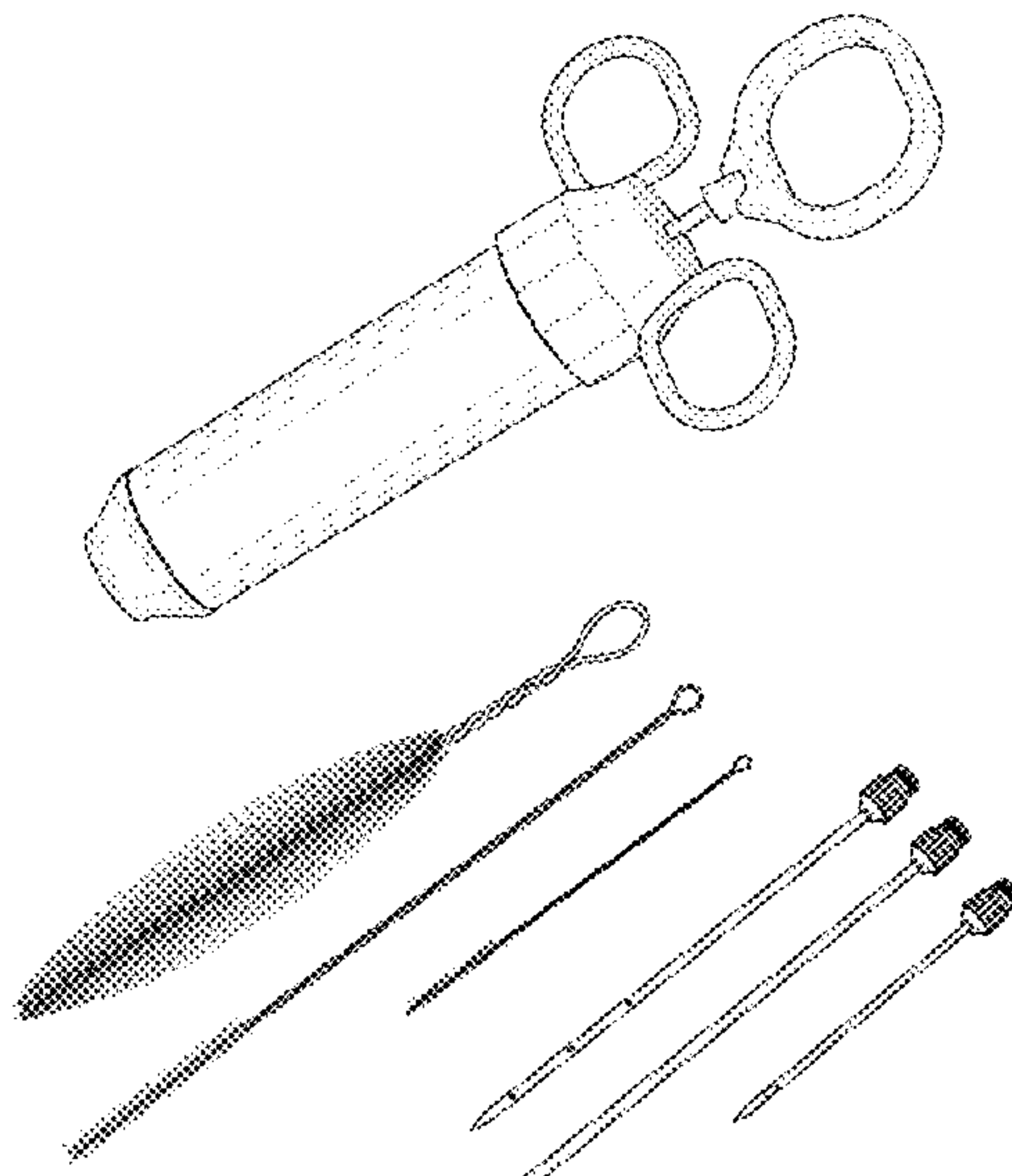
FIG. 6 depicts a perspective view of the needles and pipe-cleaners included in the meat injector kit, shown separately from the meat injector for clarity of the disclosure.

FIG. 7 depicts a perspective view of the meat injector shown in FIG. 1 attached to one of the needles included in the meat injector kit for clarity of the disclosure.

FIG. 8 depicts an exploded perspective view of the meat injector shown in FIG. 1 and one of needles included in the meat injector kit for clarity of the disclosure; and,

FIG. 9 depicts all constituent elements of the meat injector kit as depicted in FIGS. 1-8.

1 Claim, 8 Drawing Sheets



(56)

References Cited

U.S. PATENT DOCUMENTS

3,118,447 A * 1/1964 Hunt A61M 5/31511
 D214,581 S * 7/1969 Shipley 604/227
 3,483,810 A 12/1969 Peters D7/669
 3,527,390 A 9/1970 Jenner
 3,754,469 A 8/1973 Gasior
 3,777,655 A 12/1973 Ainsworth
 4,064,879 A 12/1977 Leibinsohn
 4,178,660 A 12/1979 Olney et al.
 D263,107 S * 2/1982 Hildebrand D7/669
 D263,271 S 3/1982 Kalb
 4,414,885 A 11/1983 Kelly
 D321,053 S * 10/1991 Baum D24/114
 5,226,897 A 7/1993 Nevens et al.
 D361,925 S * 9/1995 Kelly D7/669
 D363,405 S 10/1995 Elliott, Sr.
 5,507,221 A 4/1996 Lagares-Corominas
 5,681,279 A 10/1997 Roper et al.
 D414,383 S 9/1999 Fitzgibbons et al.
 6,578,470 B2 6/2003 Backus et al.
 D543,625 S * 5/2007 Numata D24/114
 D611,310 S * 3/2010 Eide D7/669
 7,681,494 B2 3/2010 Backus et al.
 D679,540 S * 4/2013 Eaton D7/387
 D732,484 S 6/2015 Bruggemann et al.
 D739,524 S * 9/2015 Zemel D24/114
 D746,442 S * 12/2015 Wollbold D24/112
 D765,239 S 8/2016 Hauck et al.
 D767,119 S 9/2016 Hauck et al.
 D773,039 S 11/2016 Sanders et al.
 D844,392 S * 4/2019 Gershkow D7/669
 D890,579 S 7/2020 Snopok
 D912,804 S 3/2021 Sato
 D915,839 S * 4/2021 Pu D7/669

D923,432 S * 6/2021 Snopok D7/669
 D924,014 S * 7/2021 Pu A46B 9/021
 D7/669
 D924,015 S * 7/2021 Pu A61M 5/31511
 D7/669
 D924,016 S * 7/2021 Struneuski D7/669
 D943,363 S * 2/2022 Yang D7/669
 D946,361 S * 3/2022 Yang F41A 29/02
 D7/669
 11,304,504 B2 * 4/2022 Borsari F41A 29/02
 2002/0195003 A1 12/2002 Backus et al.
 2006/0225760 A1 * 10/2006 Kearney A46B 9/021
 132/218
 2011/0297014 A1 12/2011 Patel

OTHER PUBLICATIONS

Grill Bump Meat Injector Syringe Kit, first available Aug. 29, 2020, Amazon, [online], [site visited Dec. 3, 2021], Available from internet URL: <https://www.amazon.com/dp/B08GZ63YMP> (Year: 2020).*

Dicfeos Meat Injector, first available Oct. 21, 2021, Amazon, [online], [site visited Nov. 24, 2021], Available from internet URL: <https://www.amazon.com/Dicfeos-Injector-Stainless-Marinade-injector/dp/B09JYSS7PL> (Year: 2021).*

Design No. 306852595, May 14, 2021—China National Intellectual Property Administration (CNIPA) Publication Date—Sep. 28, 2021 Owner—Morgis Hassan Javed, Designer—Mo Jisi hasang jiaweide WIPO, available at <https://www3.wipo.int/designdb/en/index.jsp> (Year: 2021).*

Design No. 306852605, Jun. 20, 2021—China National Intellectual Property Administration (CNIPA) Publication Date—Sep. 28, 2021 Owner—Su Liang WIPO, available at <https://www3.wipo.int/designdb/en/index.jsp> (Year: 2021).*

* cited by examiner

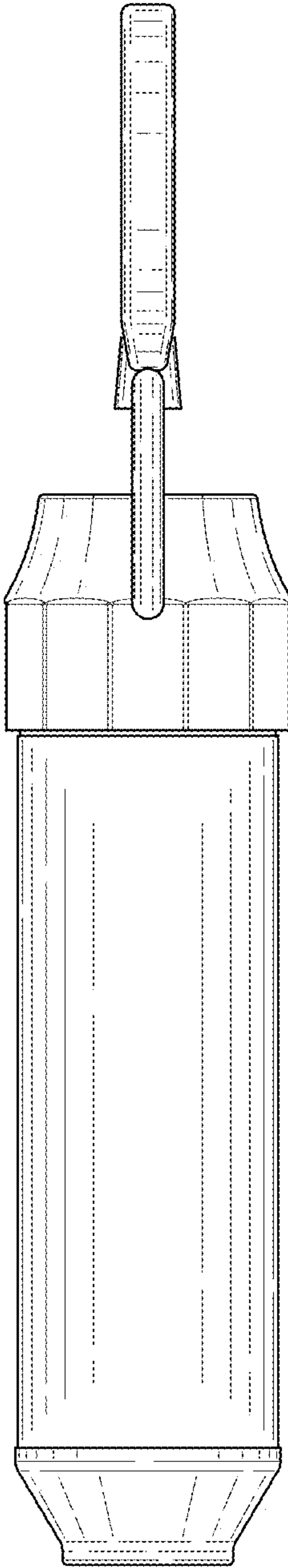


FIG. 1

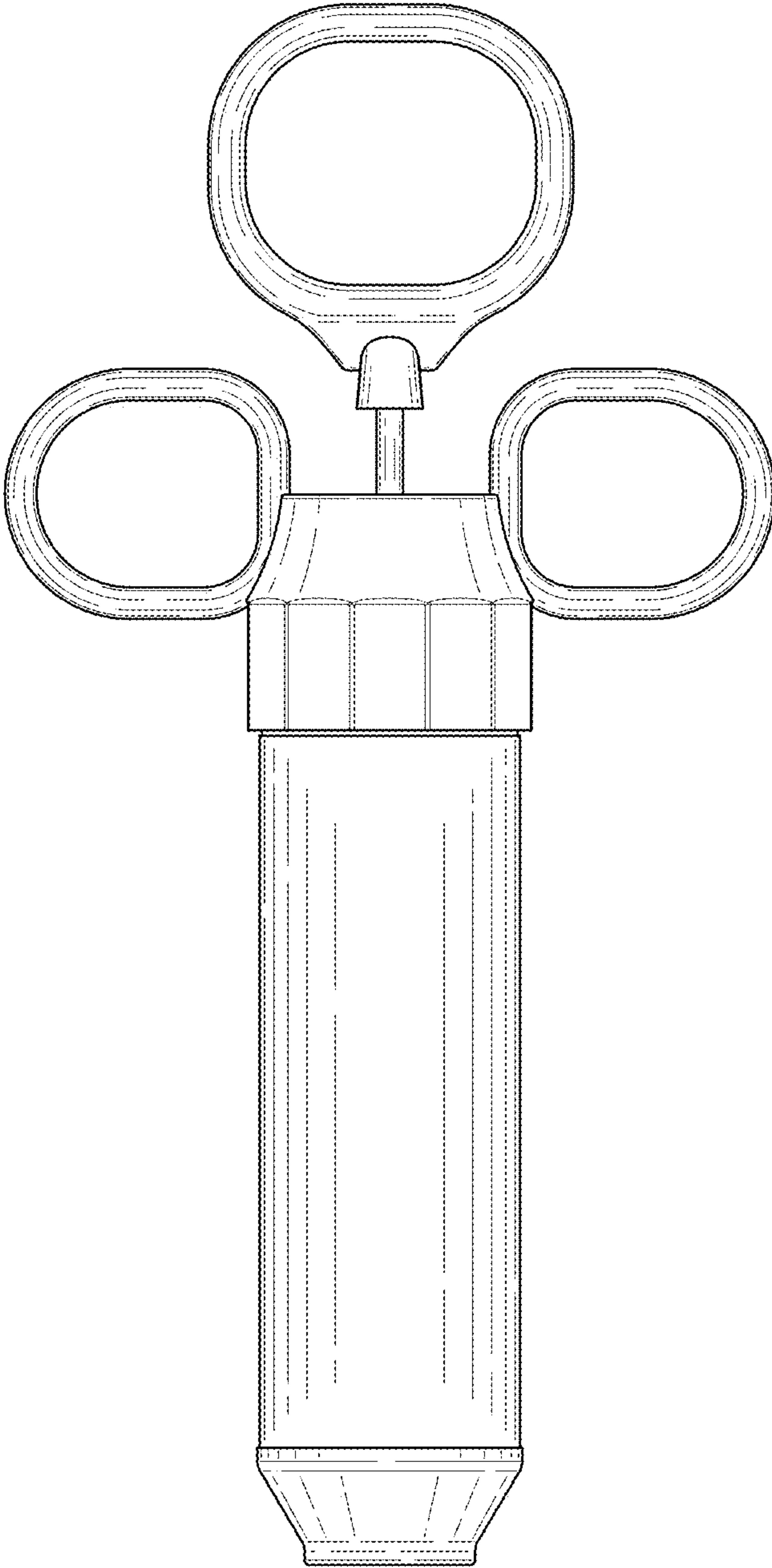


FIG. 2

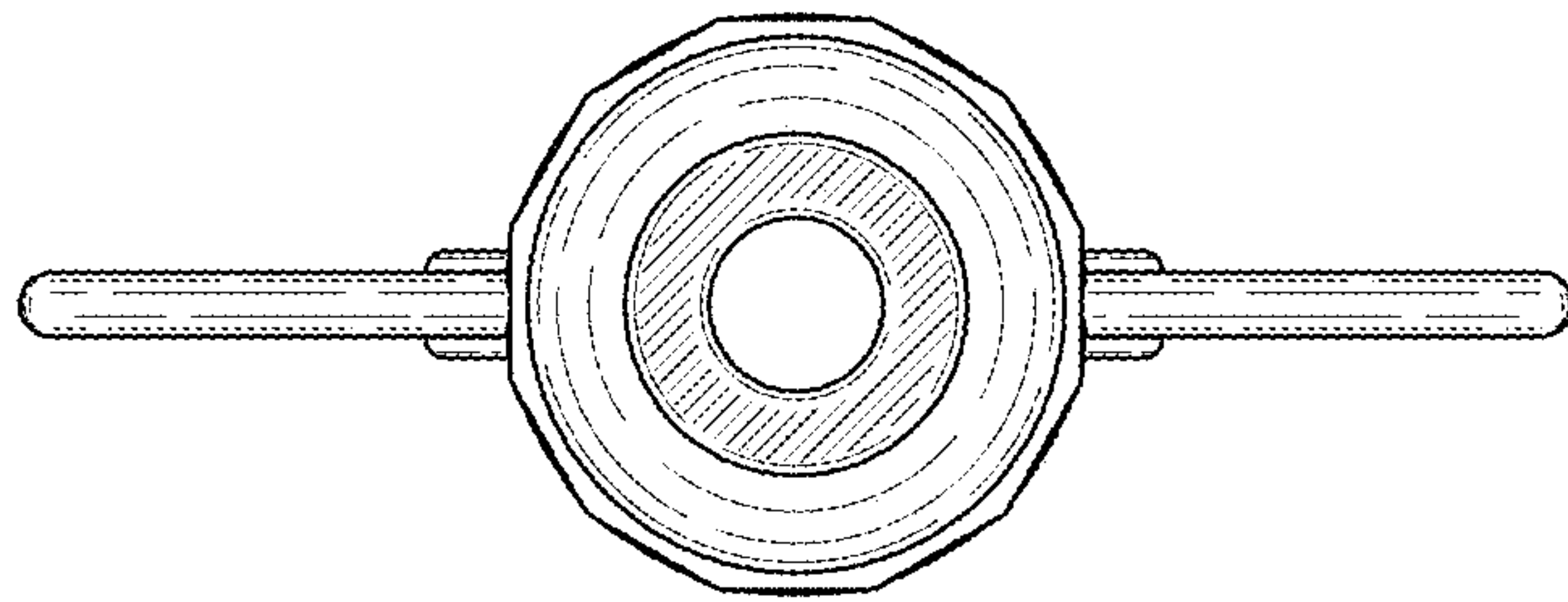


FIG. 3

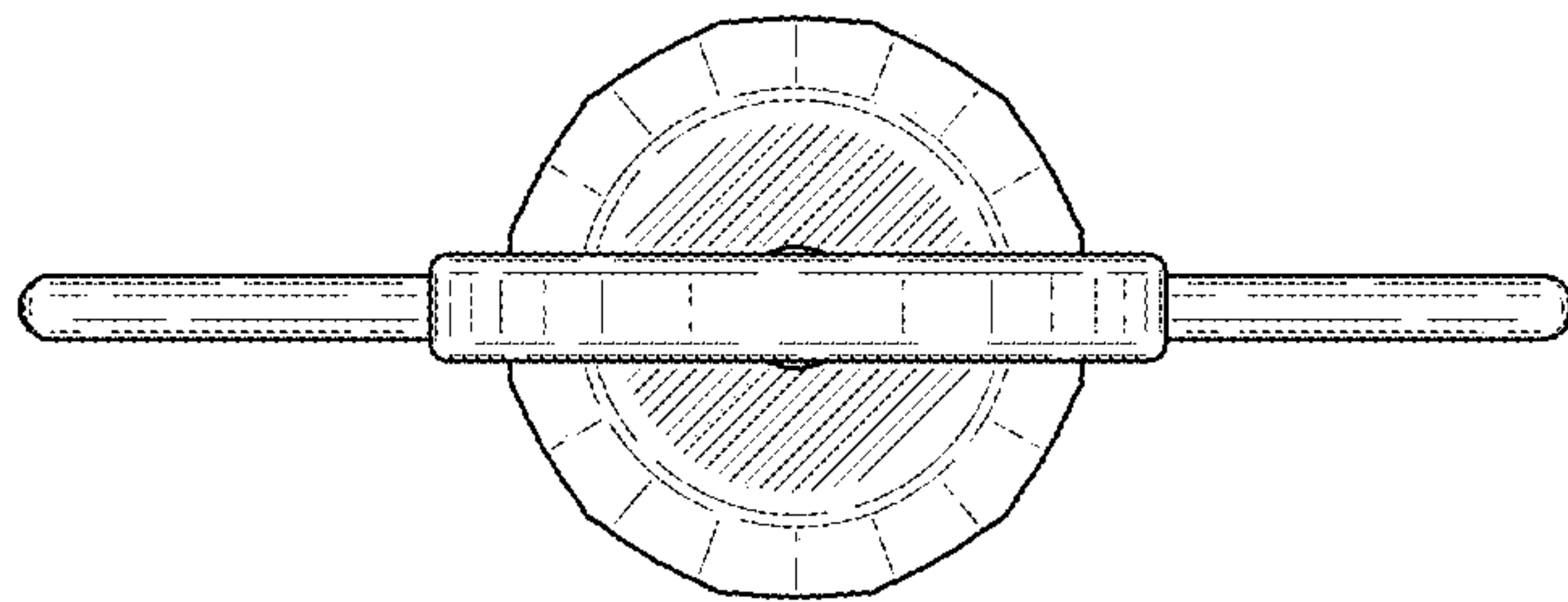


FIG. 4

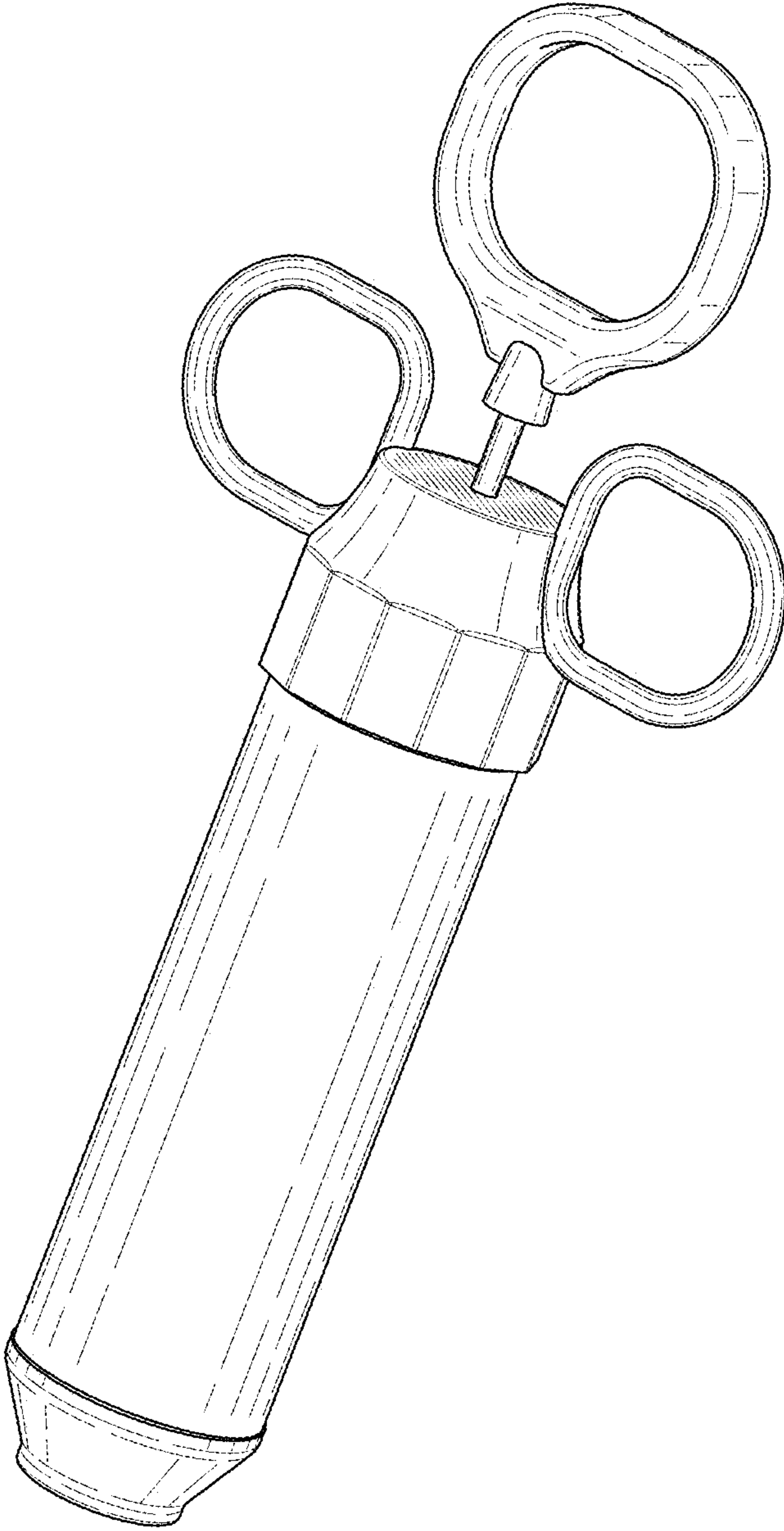


FIG. 5

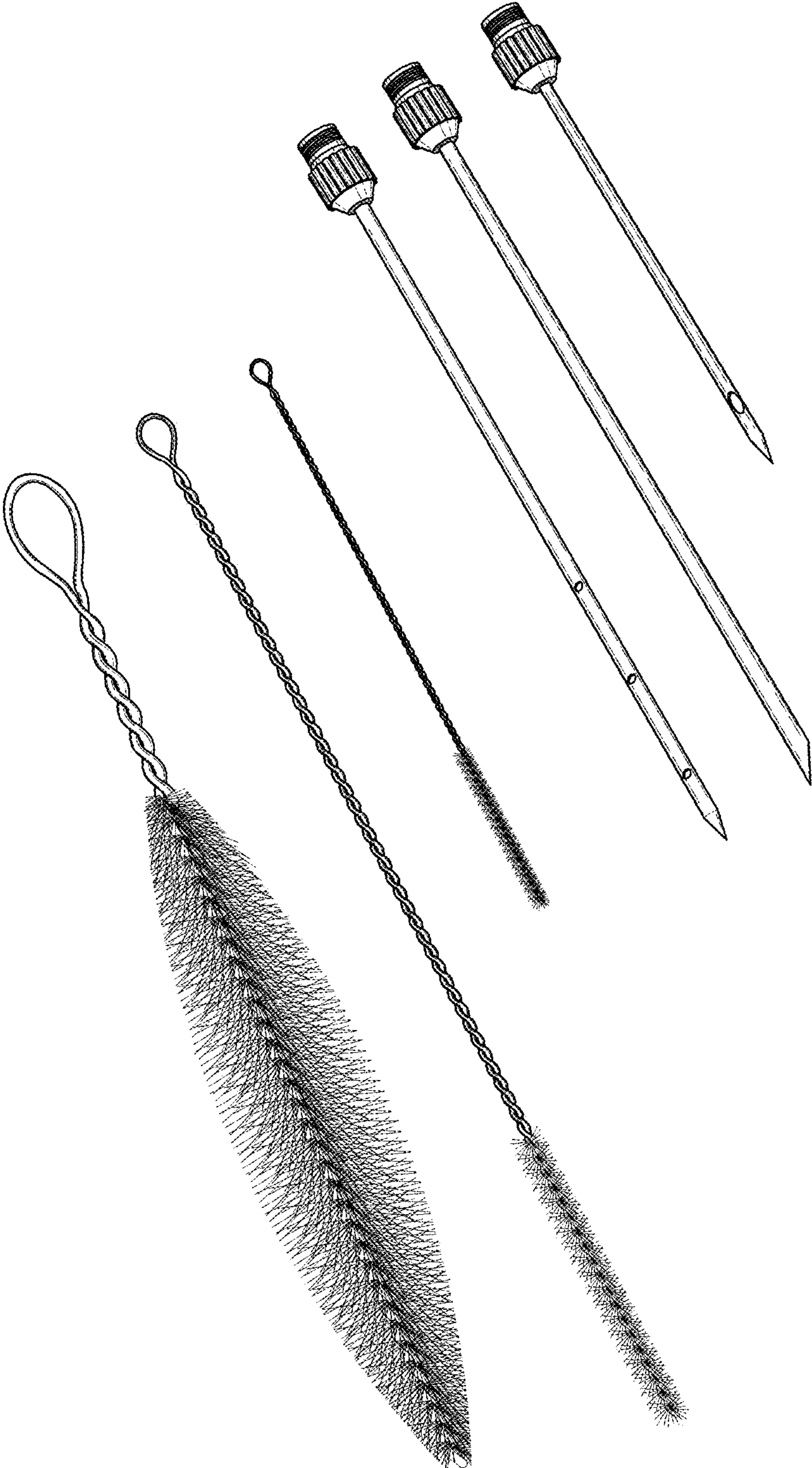


FIG. 6

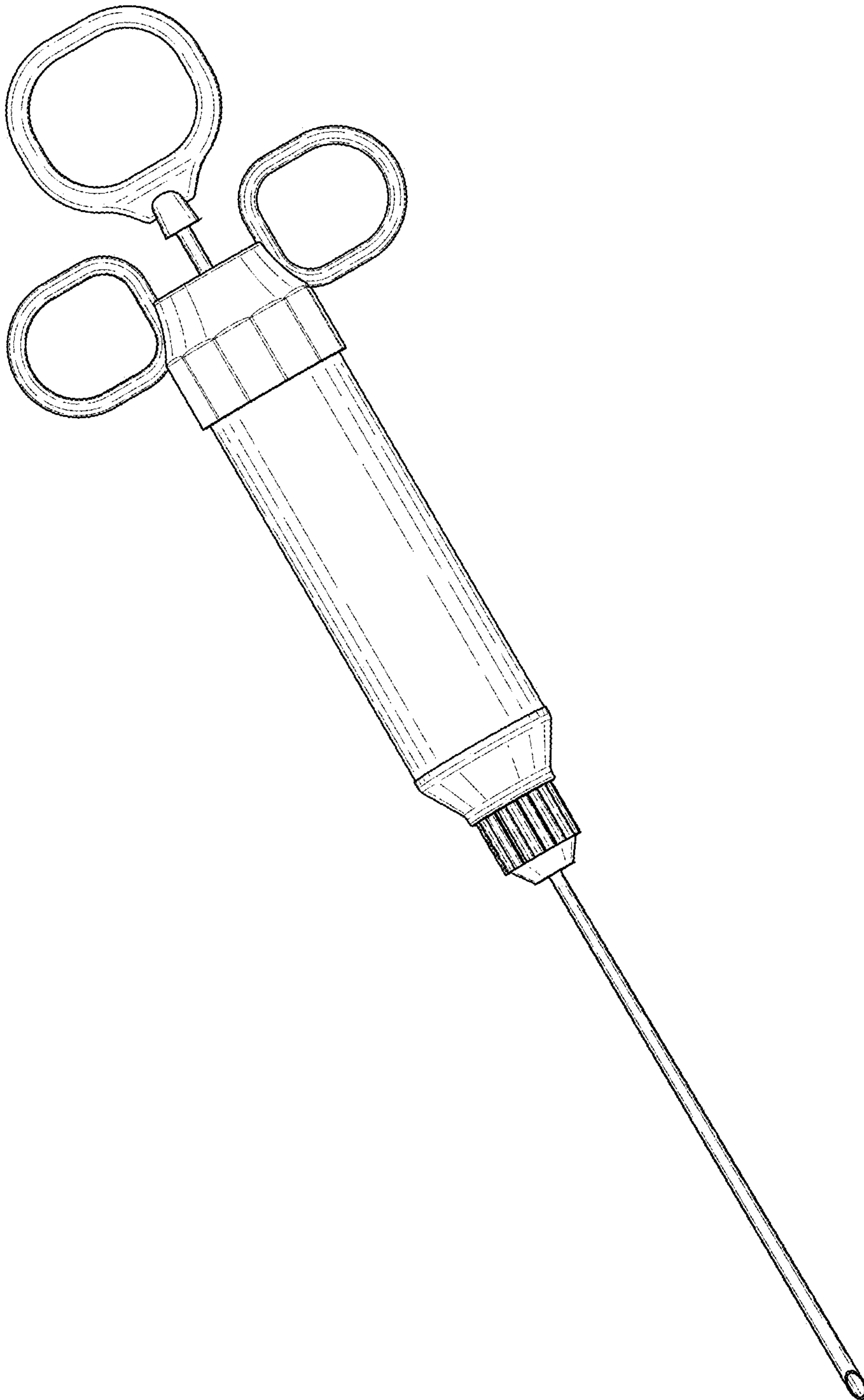


FIG. 7

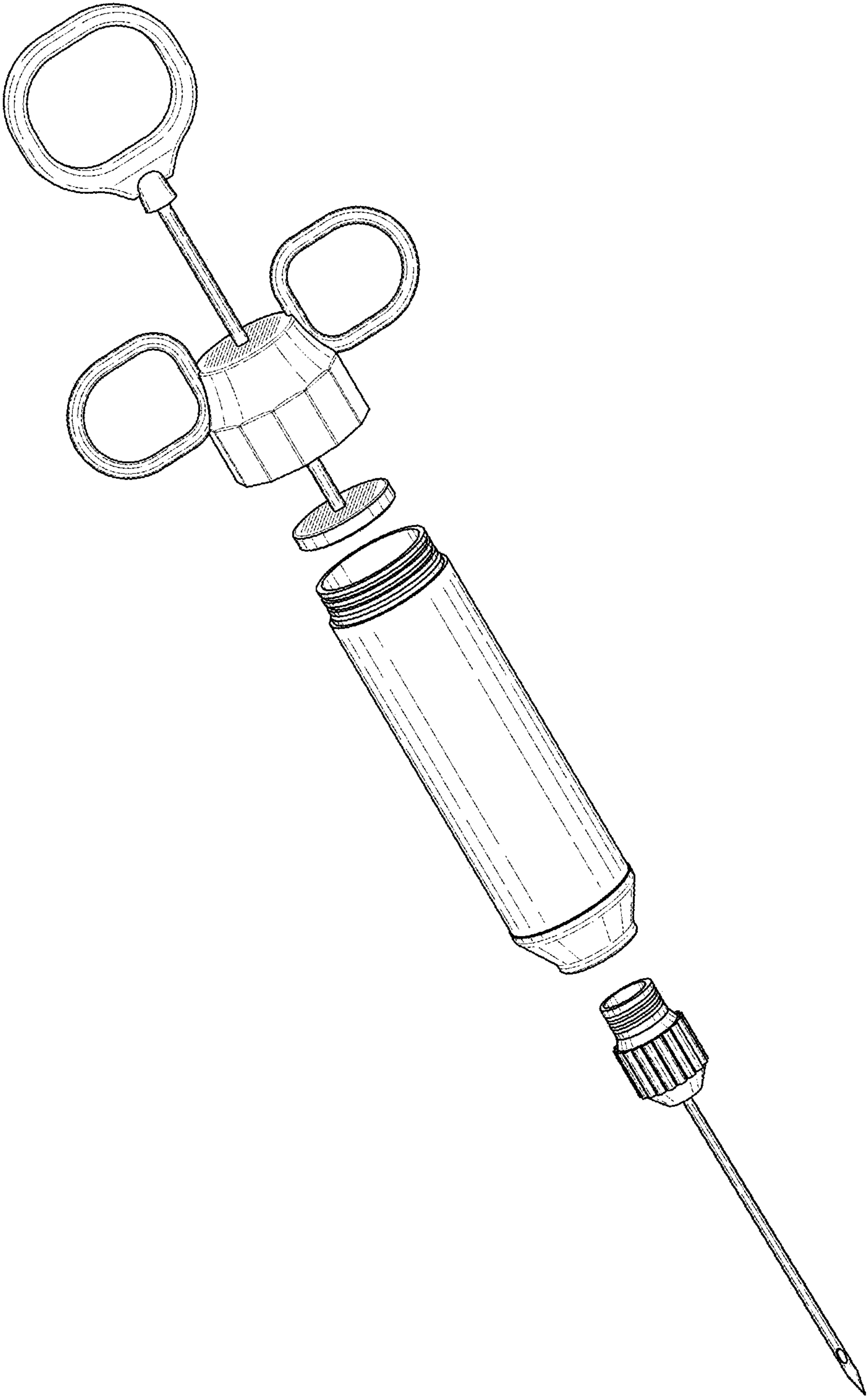


FIG. 8

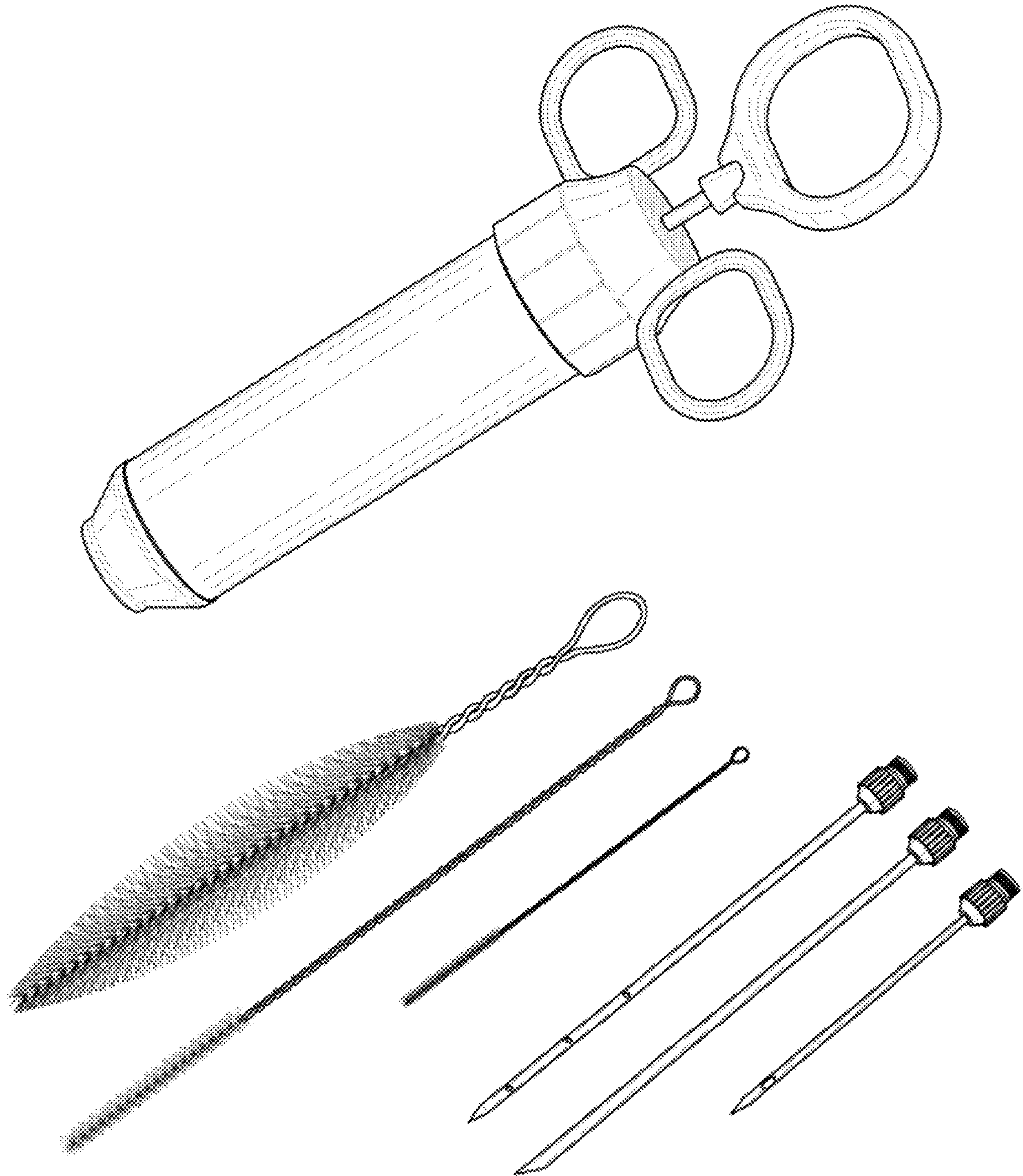


FIG. 9