



US00D957895S

(12) **United States Design Patent**
Zhang

(10) **Patent No.:** **US D957,895 S**
(45) **Date of Patent:** **** Jul. 19, 2022**

(54) **JUICE PRESSING DEVICE**
(71) Applicant: **Zhejiang Jiu Kang Electric Appliances Co., Ltd., Jiaxing (CN)**
(72) Inventor: **Guangli Zhang, Jiaxing (CN)**
(73) Assignee: **ZHEJIANG JIU KANG ELECTRIC APPLIANCES CO., LTD., Jiaxing (CN)**
(**) Term: **15 Years**

D377,132 S * 1/1997 Jørgensen D7/319
D378,261 S * 3/1997 Jørgensen B30B 9/14
D7/319
D386,040 S * 11/1997 Joergensen D7/317
D436,503 S * 1/2001 Choi D7/665
D458,074 S * 6/2002 Bodum D7/319
D458,505 S * 6/2002 Bodum D7/319
D477,502 S * 7/2003 Spalding D7/665
D513,920 S * 1/2006 Hensel D7/317
D534,400 S * 1/2007 Cohen D7/665
D565,887 S * 4/2008 Bodum D7/319
D567,007 S * 4/2008 Bodum D7/319
D666,880 S * 9/2012 Ferraby D7/665

(Continued)

(21) Appl. No.: **29/759,452**
(22) Filed: **Nov. 23, 2020**
(30) **Foreign Application Priority Data**

Primary Examiner — Joseph Kukella
Assistant Examiner — Darryl J Dardenne
(74) *Attorney, Agent, or Firm* — Morgan, Lewis & Bockius, LLP

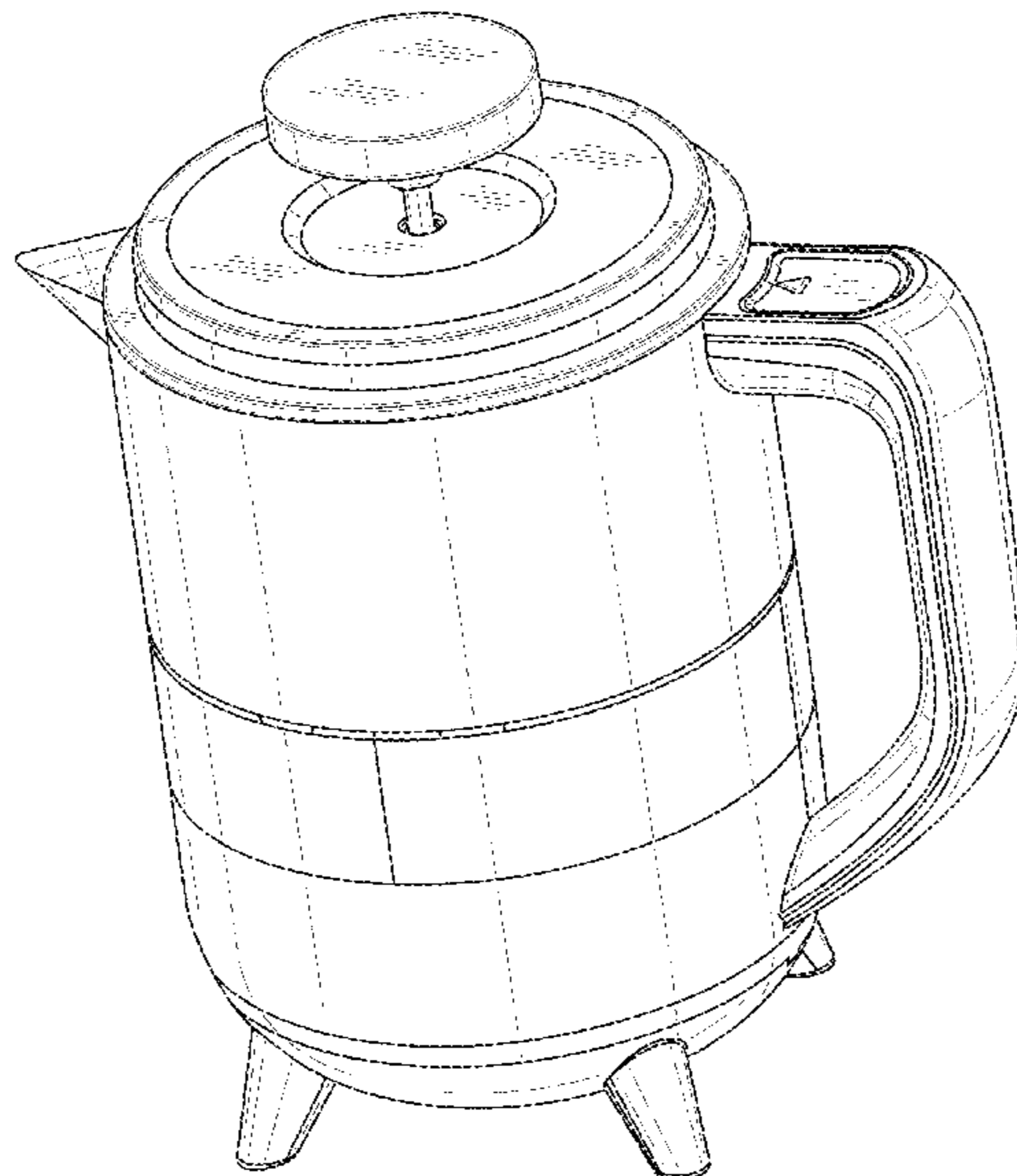
Aug. 28, 2020 (CN) 202030502354.2
(51) **LOC (13) Cl.** **07-04**
(52) **U.S. Cl.**
USPC **D7/665**
(58) **Field of Classification Search**
USPC D7/300, 302, 309, 316, 317, 318, 319,
D7/321, 374, 376, 384, 386, 399, 412,
D7/413, 665, 666, 669; D9/447
CPC A23L 2/04; A23L 2/06; A23L 2/02; A23N
1/00; A23N 1/003; A23N 4/18; A47J
19/023; A47J 19/02; A47J 19/005; A47J
19/06; B30B 1/04; B30B 9/02; B65D
85/34
See application file for complete search history.

(57) **CLAIM**
The ornamental design for a juice pressing device, as shown and described.

(56) **References Cited**
U.S. PATENT DOCUMENTS
D290,329 S * 6/1987 Bulto D7/665
D304,140 S * 10/1989 Li D7/666
D304,141 S * 10/1989 Li D7/666
D343,333 S * 1/1994 Jorgensen D7/316
D372,627 S * 8/1996 Ireland D7/319

DESCRIPTION
FIG. 1 is a perspective view of a juice pressing device of our new design.
FIG. 2 is a front view of the juice pressing device of our new design.
FIG. 3 is a rear view of the juice pressing device of our new design.
FIG. 4 is a left view of the juice pressing device of our new design.
FIG. 5 is a right view of the juice pressing device of our new design.
FIG. 6 is a top view of the juice pressing device of our new design; and,
FIG. 7 is a bottom view of the juice pressing device of our new design.
The broken lines shown illustrate portions of the juice pressing device that form no part of the claimed design.

1 Claim, 7 Drawing Sheets



(56)

References Cited

U.S. PATENT DOCUMENTS

D691,409 S * 10/2013 Dichraff D7/317
D755,580 S * 5/2016 Bock D7/665
D787,896 S * 5/2017 Ye D7/665
D795,630 S * 8/2017 McLean D7/319
9,788,676 B2 * 10/2017 Jeong B30B 9/14
2021/0315407 A1 * 10/2021 Zhang A47J 19/023

* cited by examiner

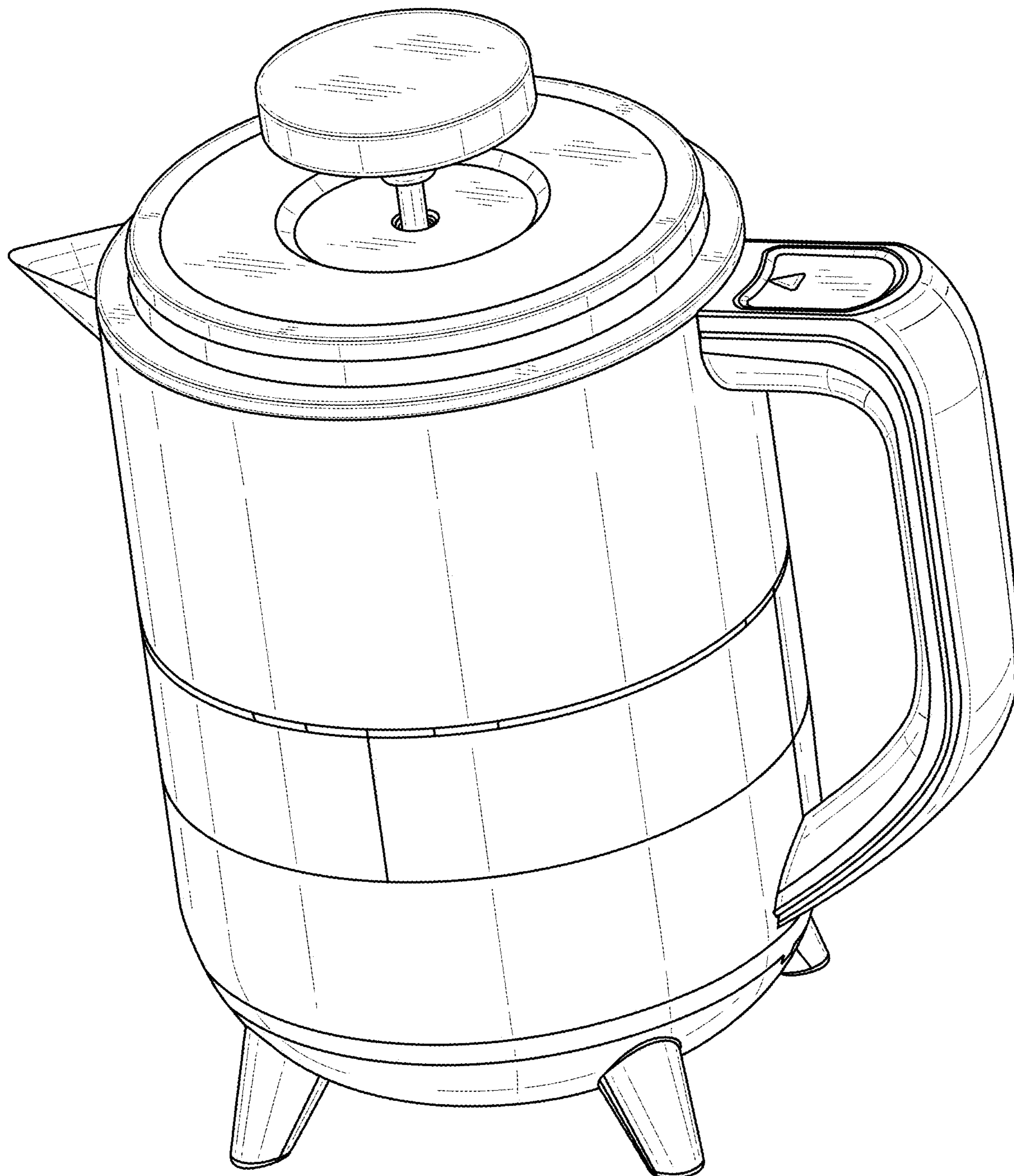


FIG. 1

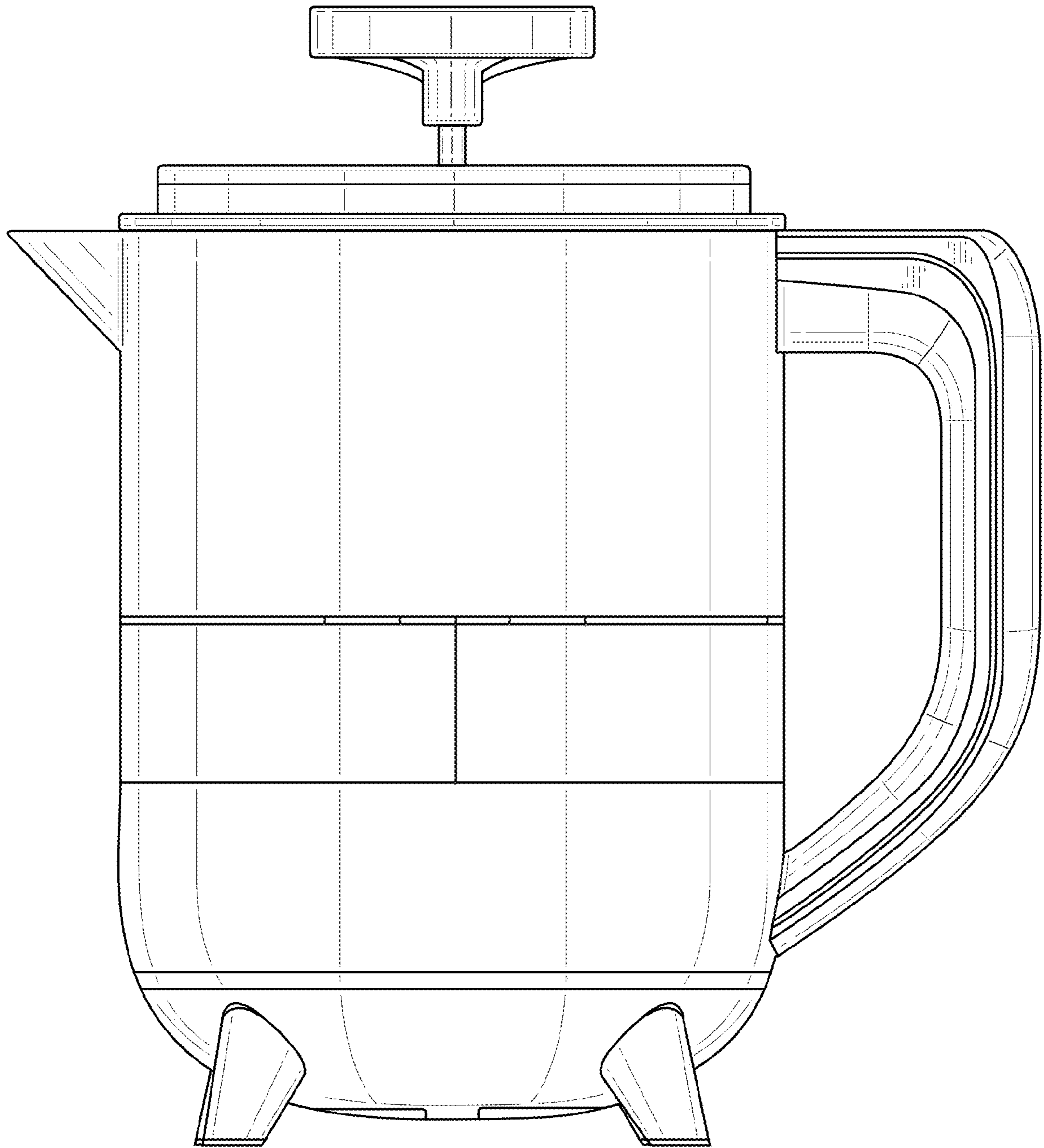


FIG. 2

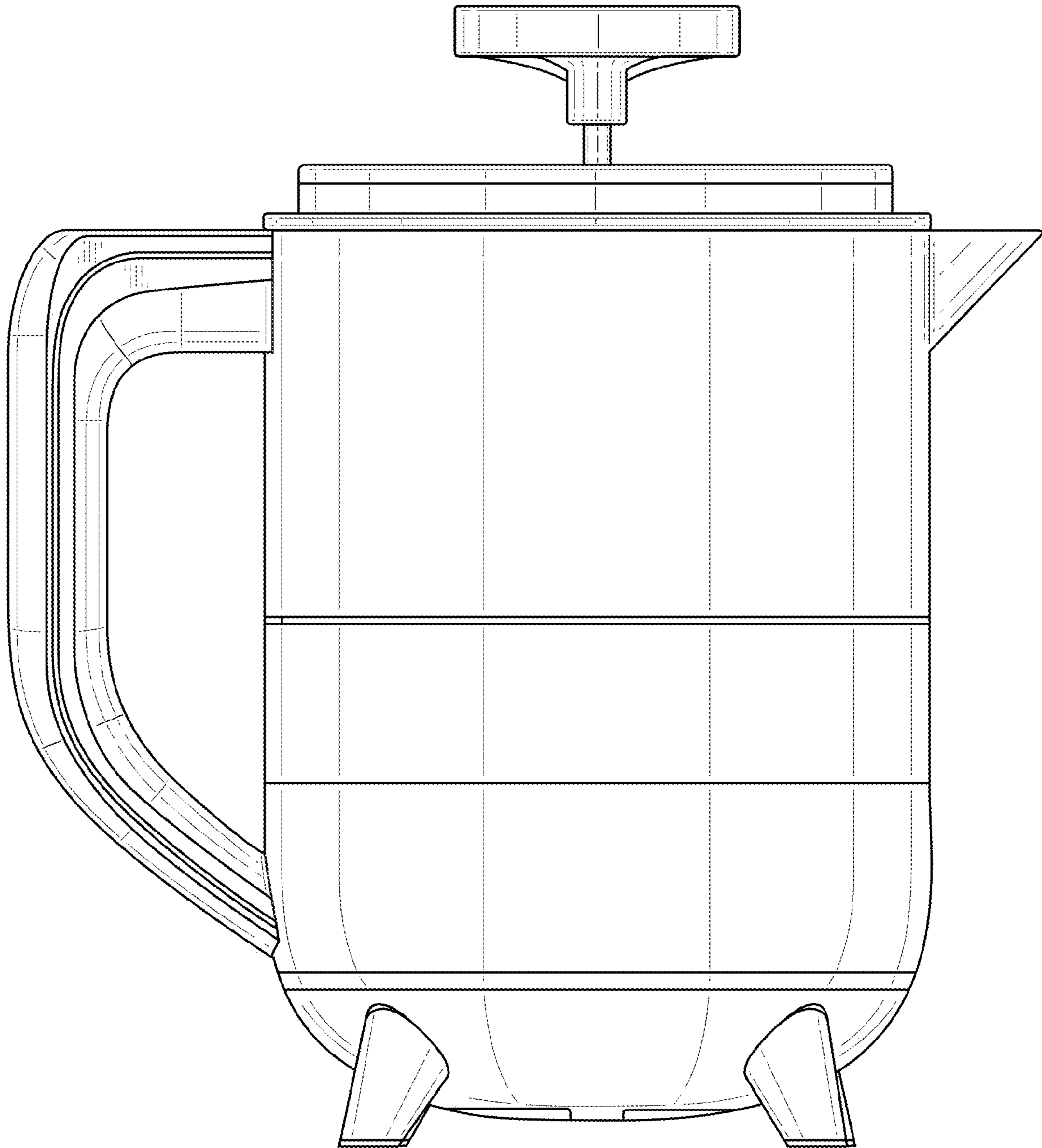


FIG. 3

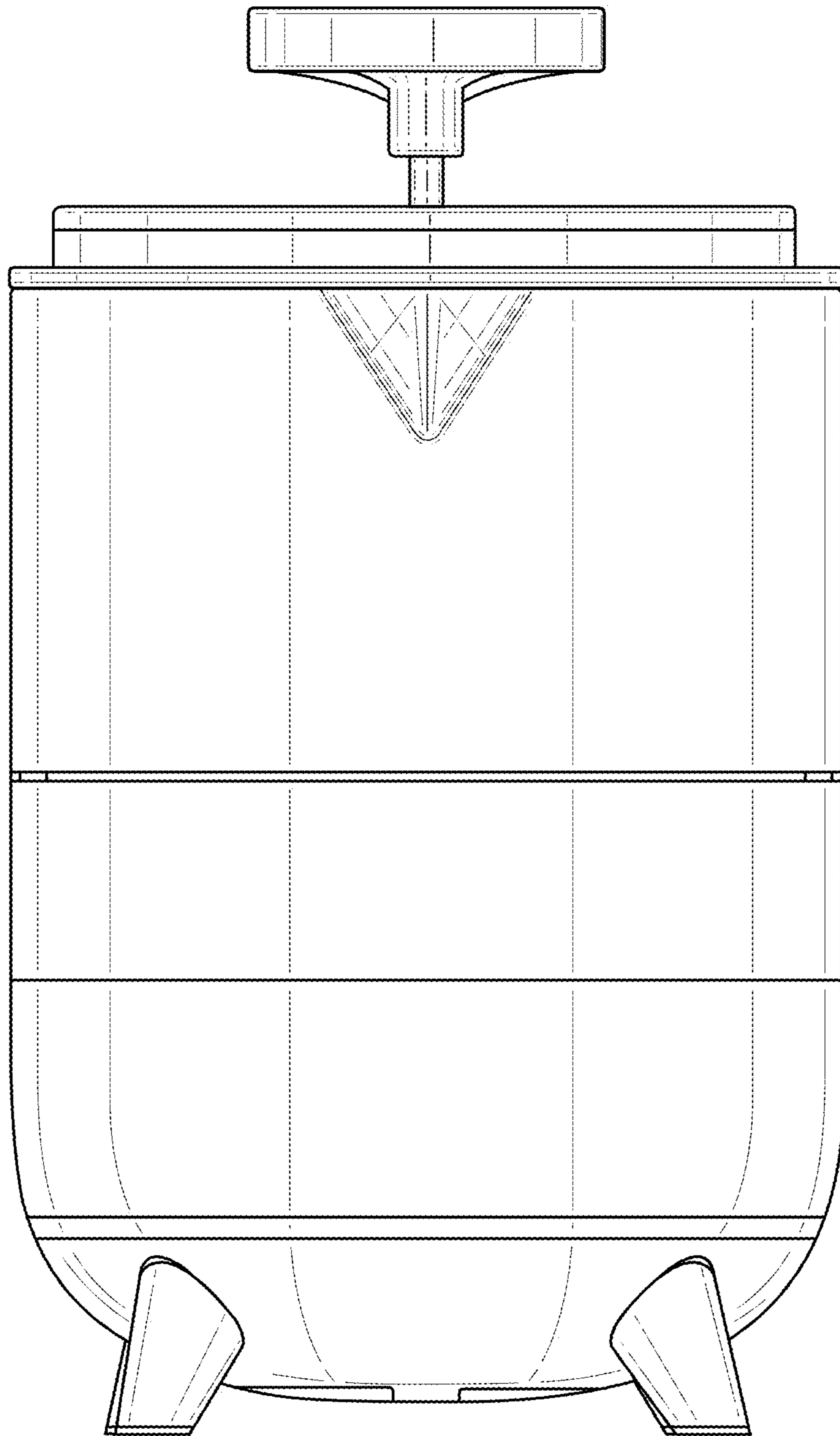


FIG. 4

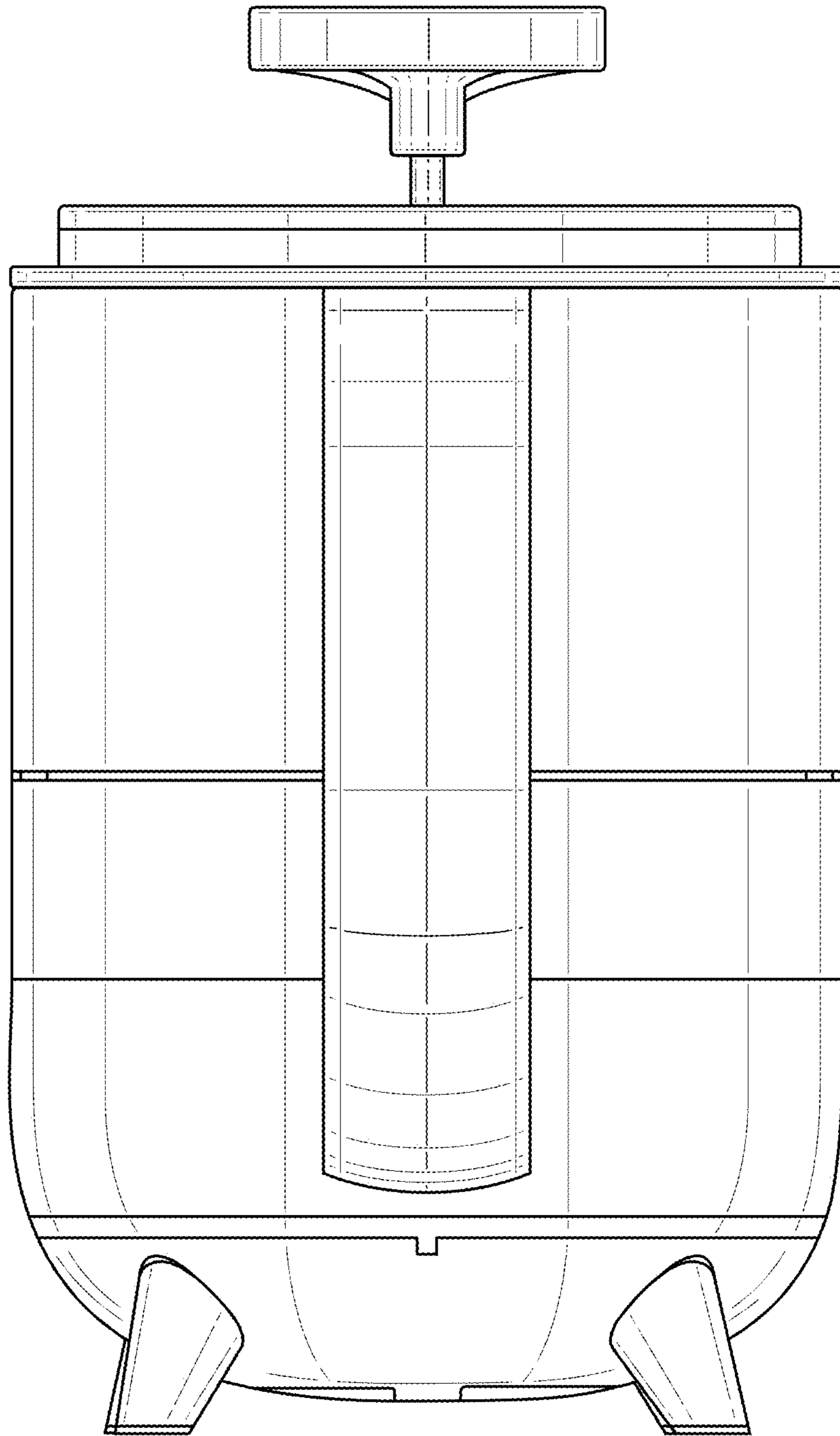


FIG. 5

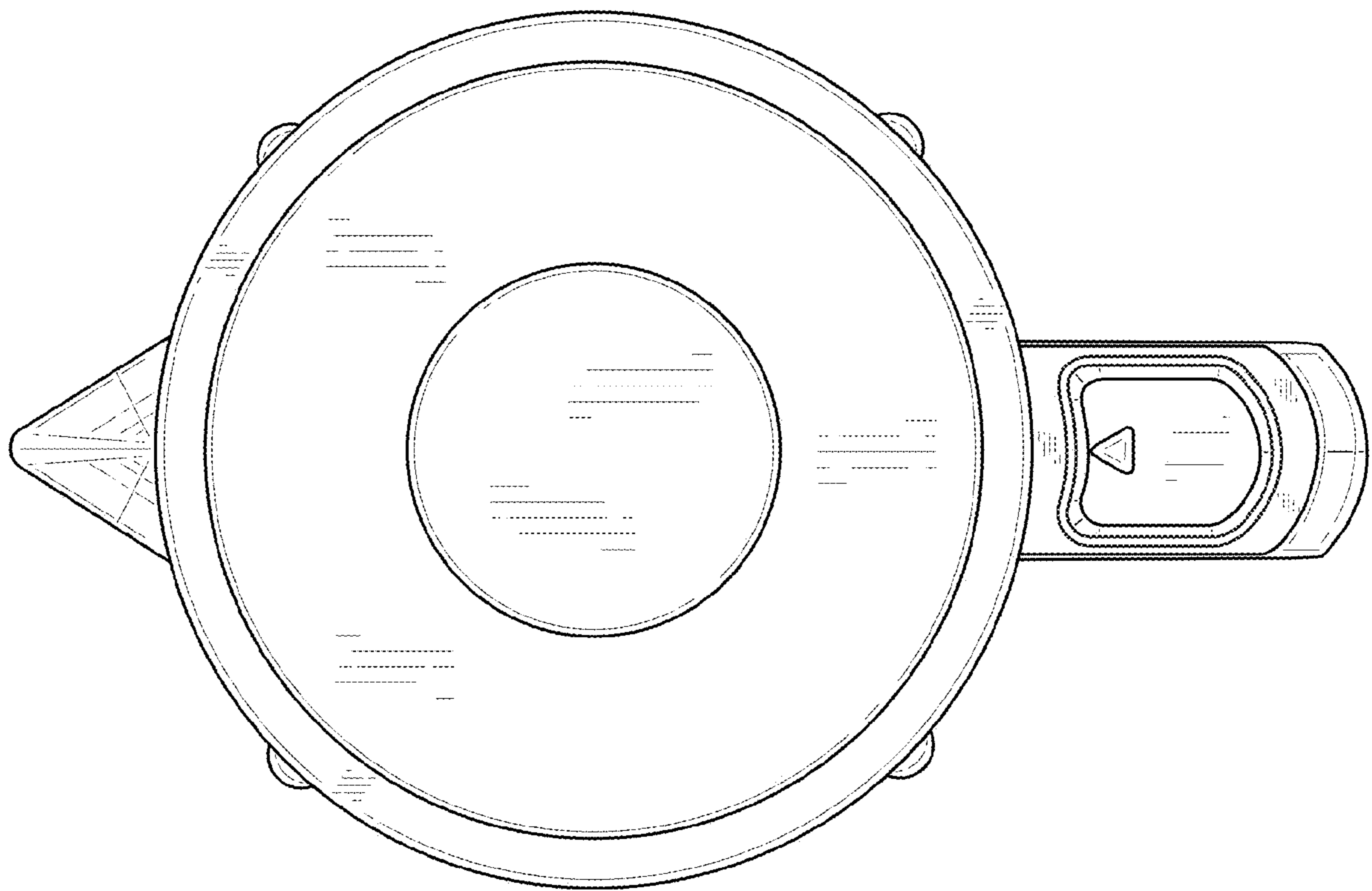


FIG. 6

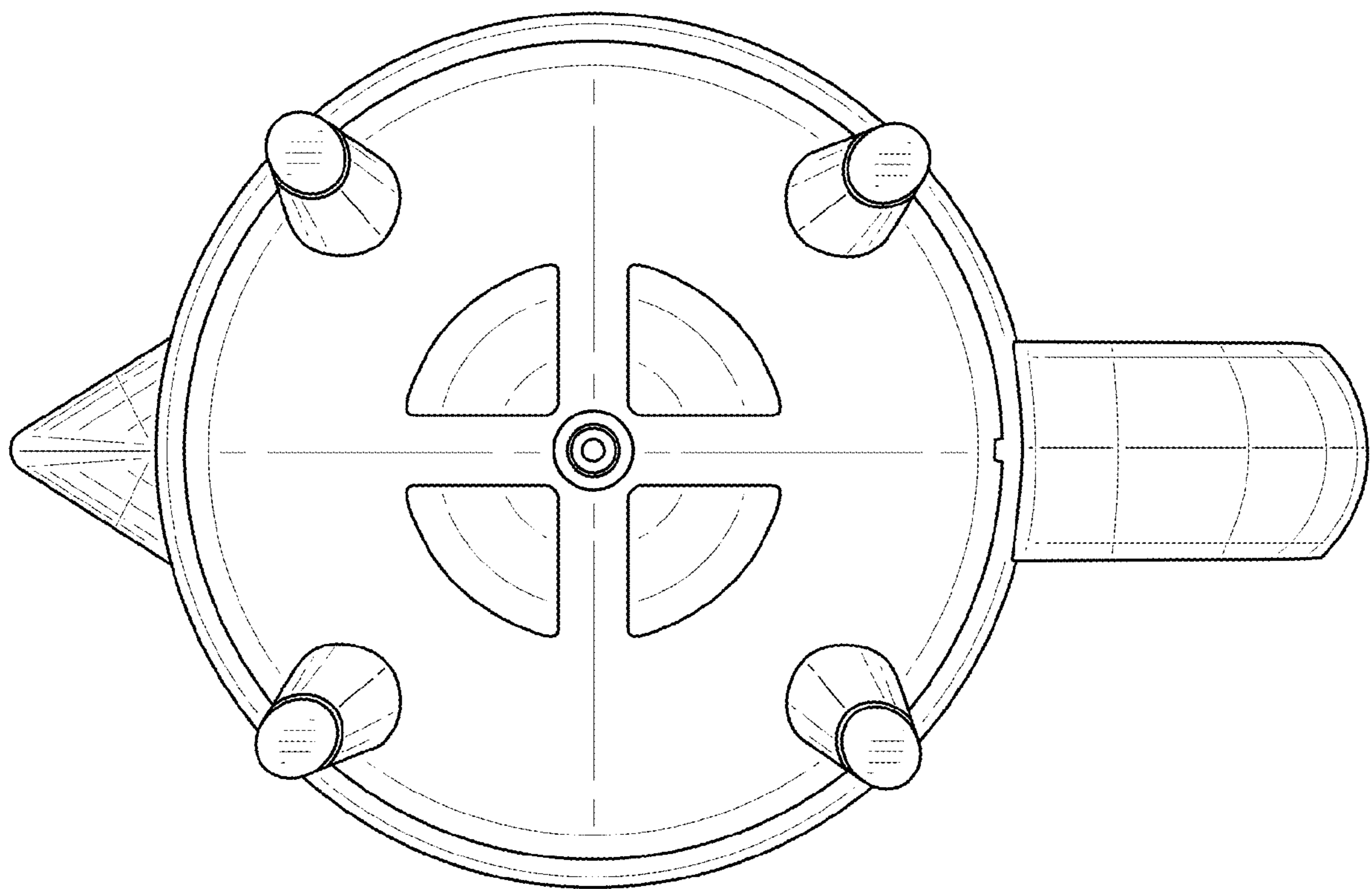


FIG. 7