



US00D957893S

(12) **United States Design Patent**
Veldkamp

(10) **Patent No.:** **US D957,893 S**
(45) **Date of Patent:** **** Jul. 19, 2022**

- (54) **ORGANIZER**
- (71) Applicant: **Spectrum Diversified Designs, LLC**,
Streetsboro, OH (US)
- (72) Inventor: **Derek Veldkamp**, Seattle, WA (US)
- (73) Assignee: **SPECTRUM DIVERSIFIED**
DESIGNS, LLC, Streetsboro, OH (US)
- (**) Term: **15 Years**
- (21) Appl. No.: **29/805,922**
- (22) Filed: **Aug. 31, 2021**

D461,103 S *	8/2002	Hsu	D7/635
D557,047 S	12/2007	Dretzka	
D590,596 S	4/2009	Dretzka	
D603,704 S *	11/2009	Jost	D9/449
D659,399 S	5/2012	Kraemer	
D707,077 S	6/2014	Sarnoff et al.	
D756,216 S *	5/2016	El-Debs	D9/420
D853,835 S *	7/2019	Ang	D9/420
D856,800 S *	8/2019	Mayer	D9/428
D880,257 S *	4/2020	Peng	D7/635
D897,664 S *	10/2020	Li	D3/273
D902,588 S *	11/2020	Zhang	D3/294
D906,061 S	12/2020	Stevens	
D920,775 S *	6/2021	Hawry	D9/414
D941,174 S *	1/2022	Siminoff	D10/106.2

Related U.S. Application Data

- (63) Continuation of application No. 29/717,179, filed on Dec. 16, 2019, now Pat. No. Des. 935,283.
- (51) **LOC (13) Cl.** **07-07**
- (52) **U.S. Cl.**
USPC **D7/637**
- (58) **Field of Classification Search**
USPC D3/304, 306-316; D6/566, 567, 573,
D6/574; D7/631, 635, 637-641; D19/75,
D19/81, 83-86, 90, 92; D9/414, 428,
D9/549
CPC A47B 88/00; A47G 21/14; A47G 21/16;
A47G 21/184; A47G 23/06; A47G
29/087; A47J 45/02; A47J 47/16; B65D
1/34; B65D 1/36
See application file for complete search history.

References Cited

U.S. PATENT DOCUMENTS

D335,721 S *	5/1993	Kimball	D7/635
D349,815 S	8/1994	Wolff	
D402,130 S	12/1998	Wolff	
D410,365 S *	6/1999	Miller	D7/635
D439,085 S	3/2001	Quinn	

OTHER PUBLICATIONS

Design Linus Deep Drawer Organizers, The Container Store [online], Nov. 14, 2019, 6 pages, Retrieved from Internet: <URL:www.containerstore.com/s/drawer-organizers/idesign-linus-deep-drawer-organizers/1d?productId=10012726>.

* cited by examiner

Primary Examiner — Janice Patyk

(74) *Attorney, Agent, or Firm* — Tucker Ellis LLP

(57) **CLAIM**

The ornamental design for an organizer, as shown and described.

DESCRIPTION

FIG. 1 is a perspective view of an organizer showing my new design.

FIG. 2 is a rear view thereof.

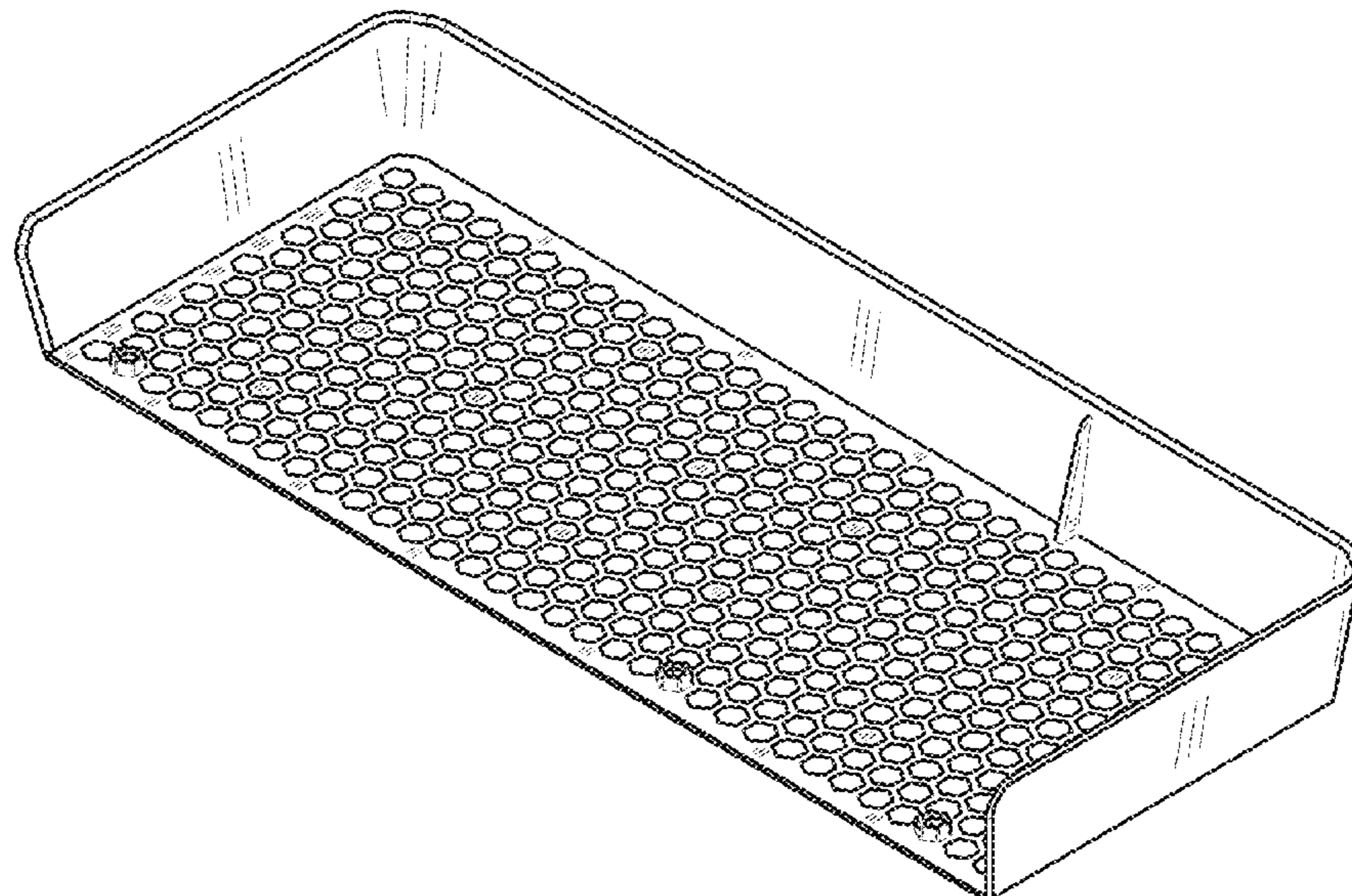
FIG. 3 is a right side view thereof.

FIG. 4 is a left side view thereof.

FIG. 5 is a top view thereof; and,

FIG. 6 is a bottom view thereof.

1 Claim, 5 Drawing Sheets



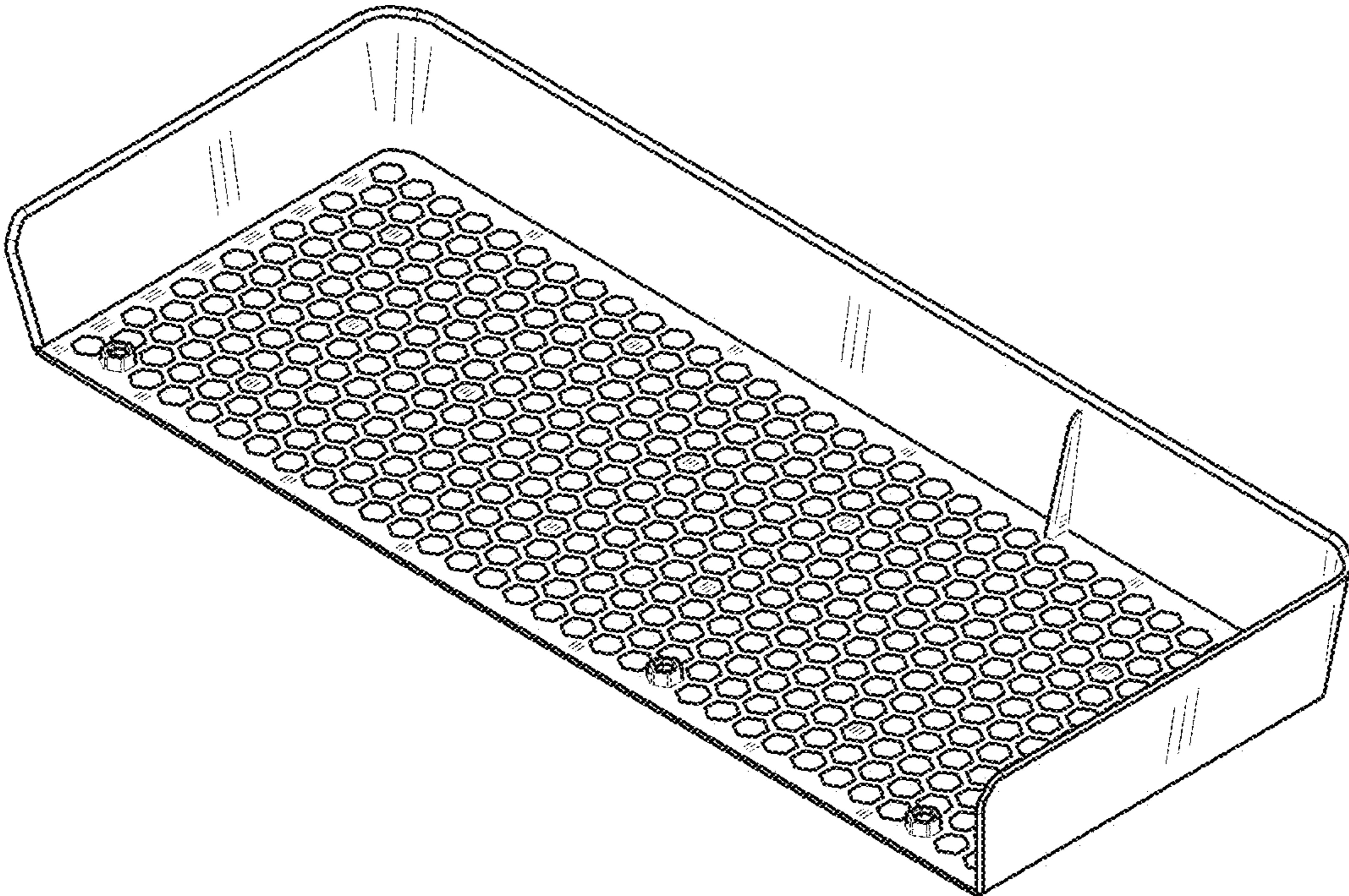


FIG. 1

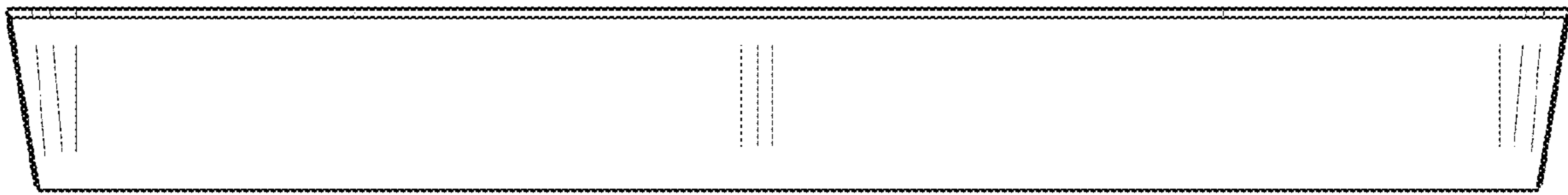


FIG. 2

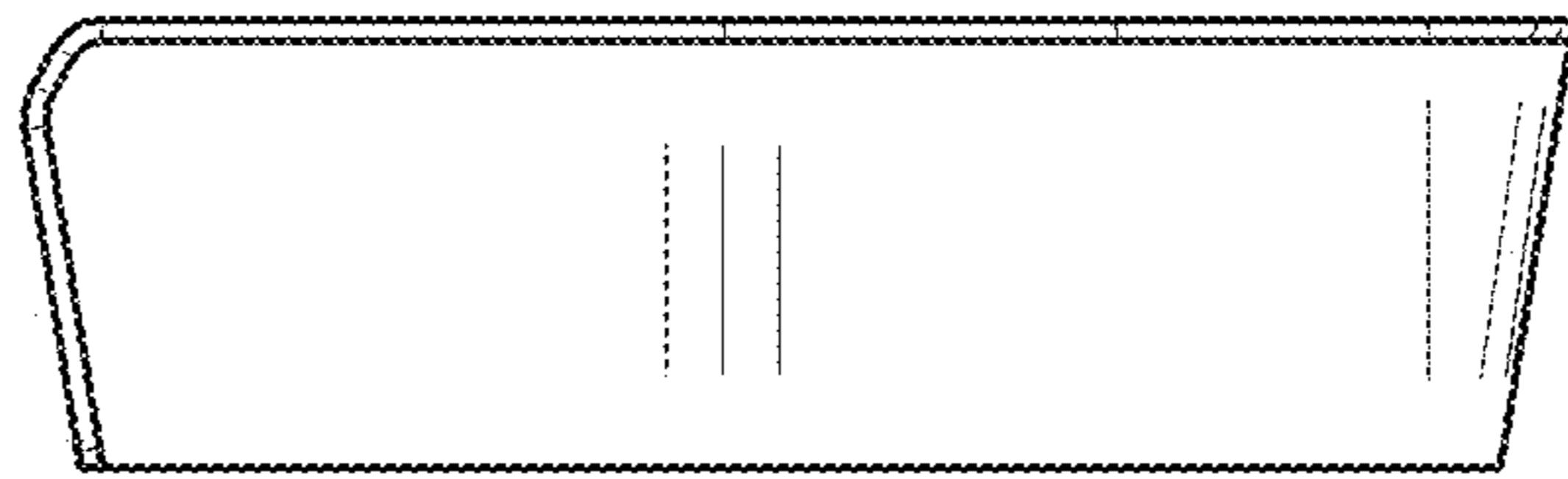


FIG. 3

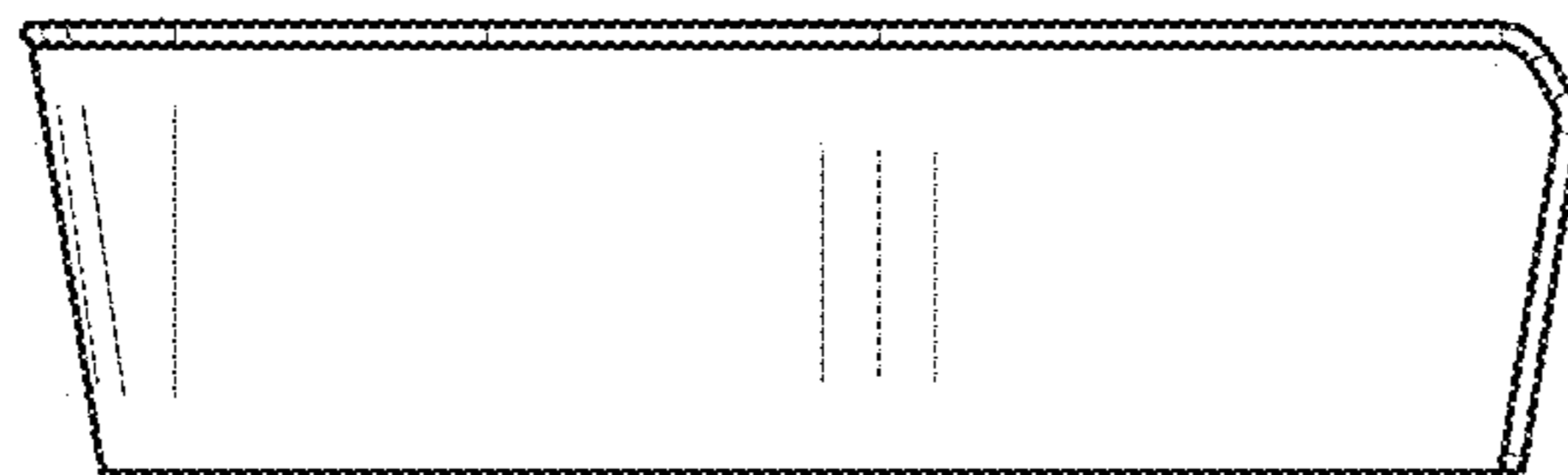


FIG. 4

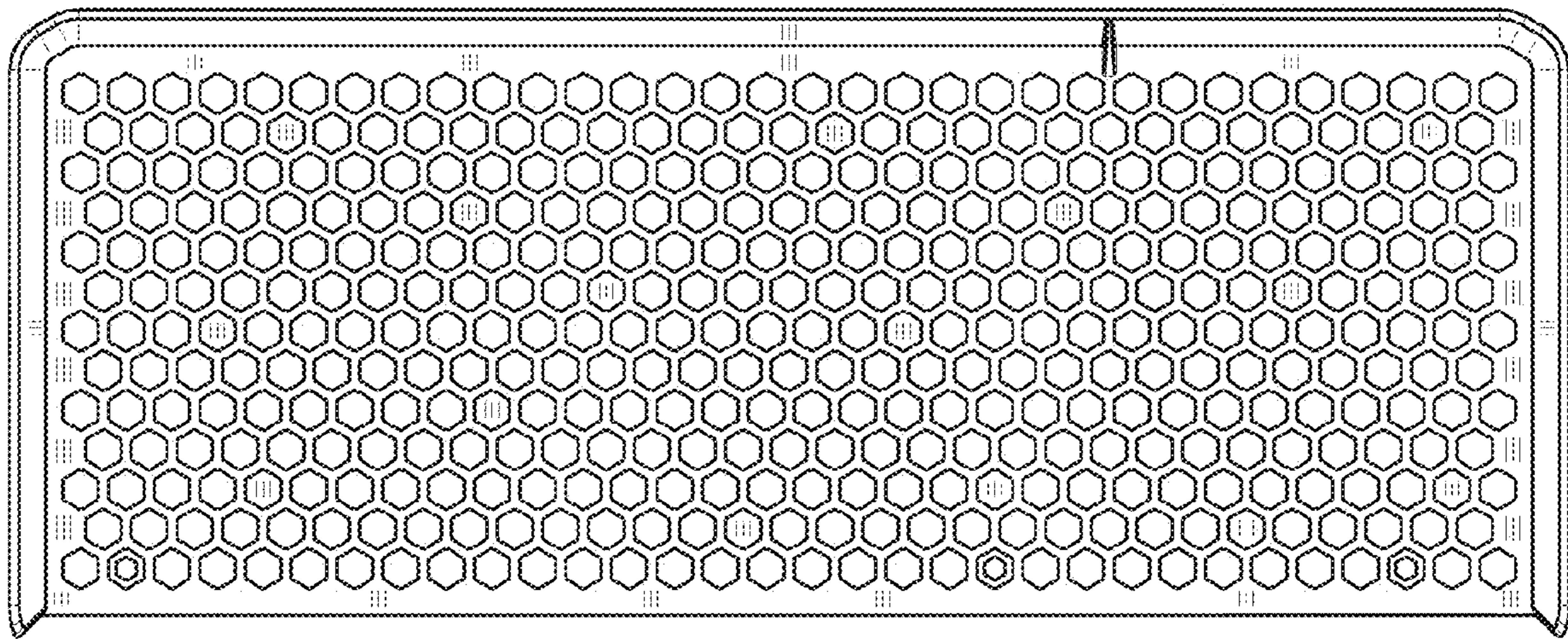


FIG. 5

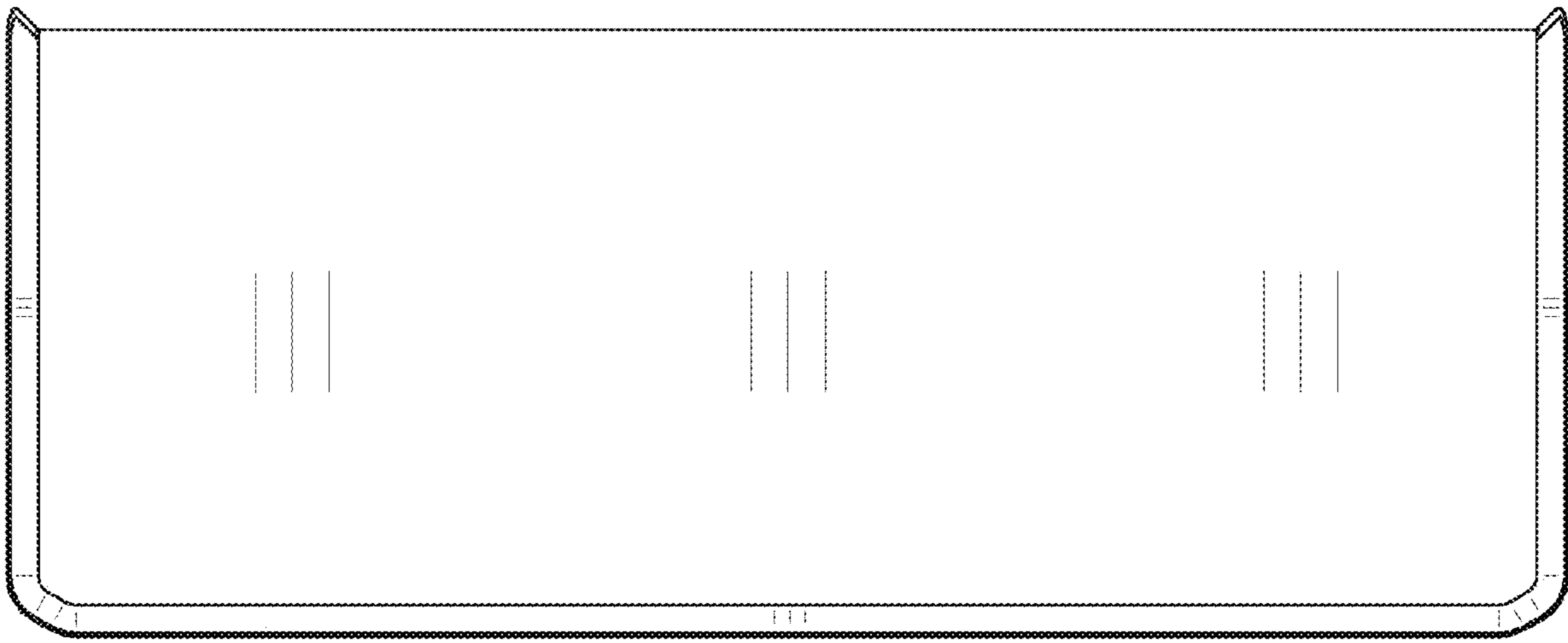


FIG. 6