



US00D957892S

(12) **United States Design Patent**
Wu

(10) **Patent No.:** **US D957,892 S**
(45) **Date of Patent:** **** Jul. 19, 2022**

(54) **DIVIDED SNACK BOWL**

(71) Applicant: **Xiu Wu**, Shenzhen (CN)

(72) Inventor: **Xiu Wu**, Shenzhen (CN)

(**) Term: **15 Years**

(21) Appl. No.: **29/737,368**

(22) Filed: **Jun. 8, 2020**

(51) **LOC (13) Cl.** **09-07**

(52) **U.S. Cl.**
USPC **D7/629; D7/553.6; D7/549**

(58) **Field of Classification Search**
USPC D7/500, 511, 538, 542, 550.1,
D7/553.4-553.6, 554.2, 601, 605, 608,
D7/629, 708, 710, 401, 541, 546, 549,
D7/555, 701; D3/11, 201, 207, 212, 273,
D3/294, 302, 304, 901, 903-905;
D9/424-426, 428, 767, 772, 781;
D13/108
CPC A24F 23/00; A45C 11/20; B65D 21/0219;
B65D 43/0204

See application file for complete search history.

(56) **References Cited**

U.S. PATENT DOCUMENTS

71,115	A	*	11/1867	Andrews	A47G 19/02
						220/575
D88,343	S	*	11/1932	Dowd	D7/545
D112,920	S	*	1/1939	Baker	D7/549
2,545,733	A	*	3/1951	Hatfield	A47G 19/027
						220/574.2
D165,637	S	*	1/1952	Detzel	D7/555
2,683,974	A	*	7/1954	Brown	A47G 19/02
						220/574.2
D176,489	S	*	12/1955	Winkler	D7/549
2,813,446	A	*	11/1957	Botnick	A47G 19/025
						84/95.2

(Continued)

FOREIGN PATENT DOCUMENTS

CN 306692068 * 7/2021
KR 300839798.0000 * 2/2016

(Continued)

OTHER PUBLICATIONS

Silicone Suction Divided Baby Bowl, Avanchy, avanchy.com, author unlisted, published on Sep. 26, 2020 per wayback machine © 2021 Avanchy Sustainable Baby Dishware, online, site visited Sep. 25, 2021. Available at URL: <https://avanchy.com/products/avanchy-silicone-suction-divided-baby-bowl-lid> (Year: 2020).*

(Continued)

Primary Examiner — Sandra Snapp
Assistant Examiner — Altaira J Swangin
(74) *Attorney, Agent, or Firm* — Novoclaims Patent Services LLC; Mei Lin Wong

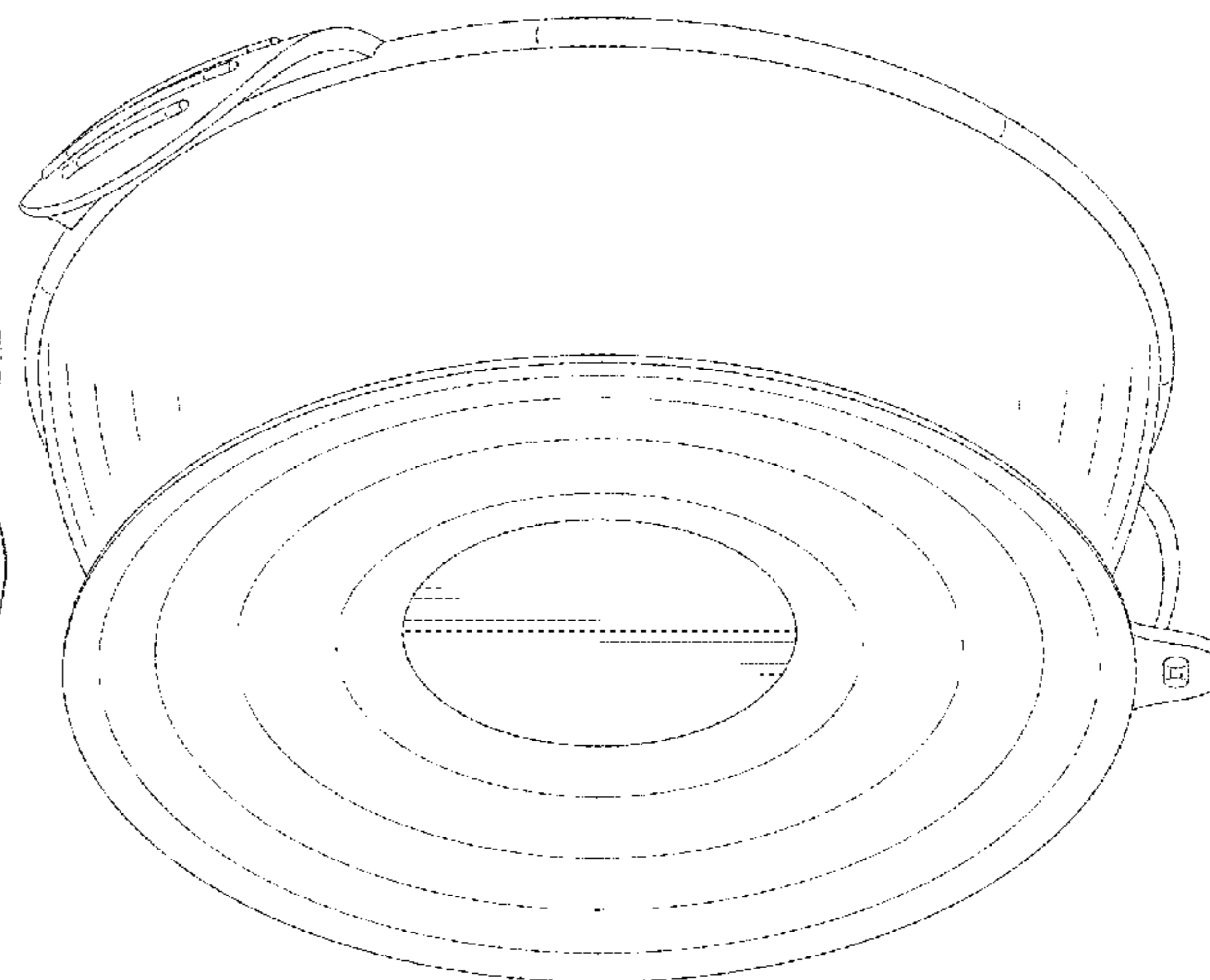
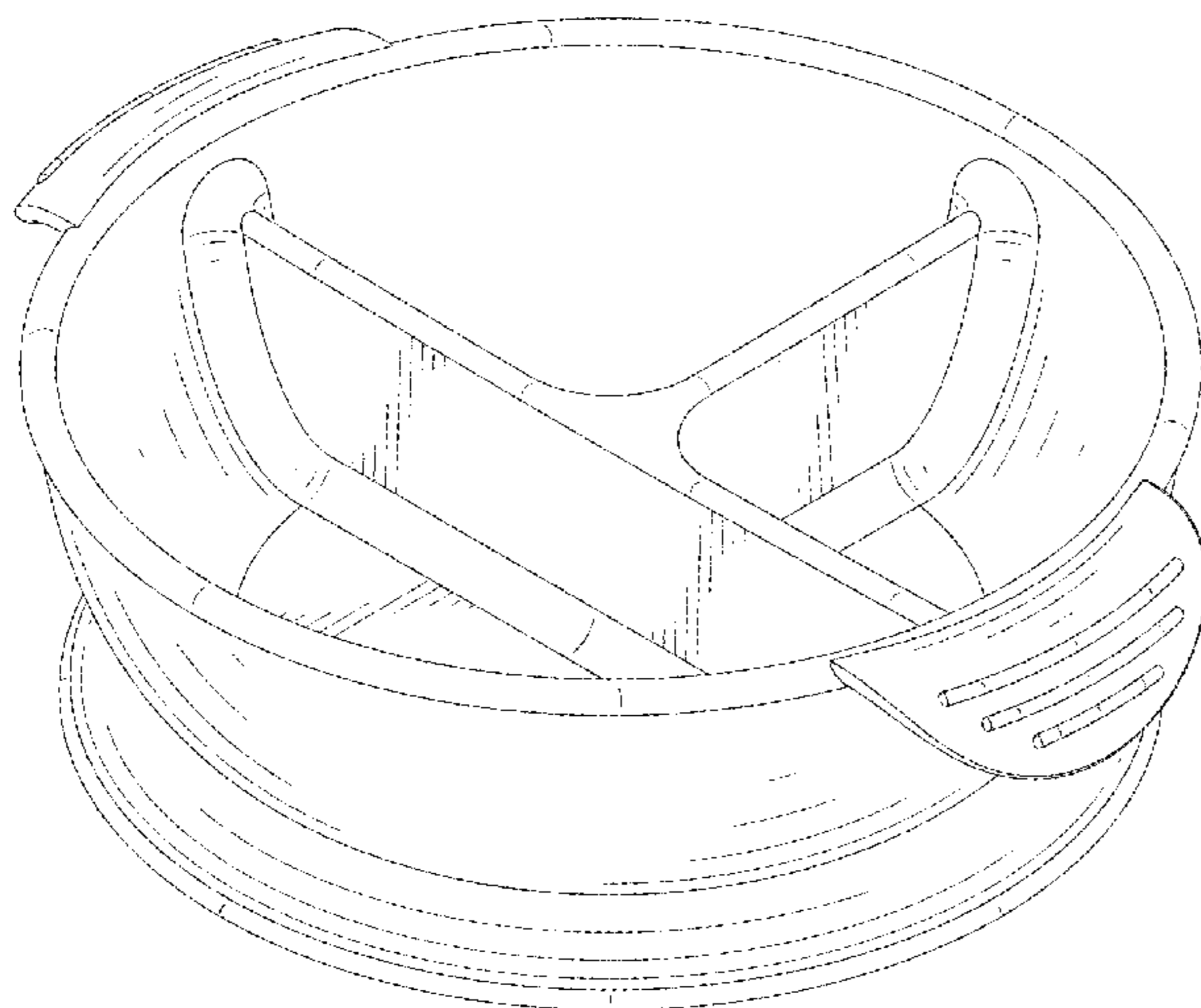
(57) **CLAIM**

The ornamental design for a divided snack bowl, as shown and described.

DESCRIPTION

FIG. 1 is a top perspective view of a divided snack bowl showing my new design;
FIG. 2 is a bottom perspective view thereof;
FIG. 3 is a front view thereof;
FIG. 4 is a rear view thereof;
FIG. 5 is a left side view thereof;
FIG. 6 is a right side view thereof;
FIG. 7 is a top view thereof;
FIG. 8 is a bottom view thereof; and,
FIG. 9 is another top perspective view thereof, showing the divided snack bowl covered by a lid.
The broken lines depict portions of the divided snack bowl that form no part of the claimed design.

1 Claim, 9 Drawing Sheets



(56)

References Cited

U.S. PATENT DOCUMENTS

3,773,212 A * 11/1973 Sekuler A47G 19/02
 220/575
 D232,294 S * 8/1974 Christian D7/555
 D250,928 S * 1/1979 Franklin D7/555
 D291,042 S * 7/1987 Fahey D7/555
 D341,750 S * 11/1993 Scicolone D7/545
 D363,645 S * 10/1995 Smith D7/553.6
 D376,295 S * 12/1996 Ahern, Jr. D7/549
 6,035,766 A * 3/2000 Schirmer A47J 27/12
 99/410
 D483,999 S * 12/2003 Beachum D7/357
 D494,012 S * 8/2004 Bandy-Helderman D7/544
 D496,829 S * 10/2004 Guzzini D7/553.6
 D499,605 S * 12/2004 Crosby D7/387
 7,013,618 B2 * 3/2006 Schiltz B65D 81/365
 53/411
 7,104,030 B2 * 9/2006 Schiltz B65D 81/365
 53/411
 D568,110 S * 5/2008 Epstein D7/553.6
 D680,813 S * 4/2013 De Leo D7/543
 D684,431 S * 6/2013 Holding D7/555
 D685,613 S * 7/2013 Baez D7/553.1
 D708,021 S * 7/2014 Heiberg D7/630
 D745,326 S * 12/2015 Klar D7/555
 D747,151 S * 1/2016 Liming D7/553.6
 D753,443 S * 4/2016 Mock D7/555
 D832,656 S * 11/2018 Sun D7/629
 D840,754 S * 2/2019 Lv D7/505
 D842,642 S * 3/2019 Effler D7/360
 D843,779 S * 3/2019 Slown D7/391
 D858,204 S * 9/2019 Hu D7/553.6

D859,936 S * 9/2019 Buck D7/629
 D880,245 S * 4/2020 Packard D7/553.6
 D882,346 S * 4/2020 Armistead D7/629
 D887,782 S * 6/2020 Fager D7/553.1
 D892,571 S * 8/2020 Traub D7/629
 D900,558 S * 11/2020 Chiang D7/629
 D913,042 S * 3/2021 Malher D7/553.6
 D913,741 S * 3/2021 Graybeal D7/361
 D929,801 S * 9/2021 Henkel D7/392.1
 D941,633 S * 1/2022 Ghiorghie D6/677
 2017/0013980 A1 * 1/2017 Pickett B65D 21/0209
 2021/0120929 A1 * 4/2021 Victor A45C 11/20

FOREIGN PATENT DOCUMENTS

KR 300956715.0000 * 5/2018
 KR 301033782.0000 * 11/2019

OTHER PUBLICATIONS

Bowl, Green Sprouts, rinconcrianza.com, author unlisted, published on Sep. 19, 2020 per wayback machine © unlisted, online, site visited Sep. 26, 2021. Available from Internet, URL: <https://rinconcrianza.cl/product/green-sprouts-bowl-adherente-100-silicona/> (Year: 2020).*

Baby Bowls with Suction, Upward Baby, amazon.com, published by UpwardBaby on Jun. 16, 2021 per wayback machine© 1996-2022 Amazon.com, Inc., online, site visited Apr. 9, 2022. Available from Internet, URL: <https://www.amazon.com/Silicone-Guaranteed-UpwardBaby-Carrying-Demonstration/dp/B07PSGS86N> (Year: 2021).*

* cited by examiner

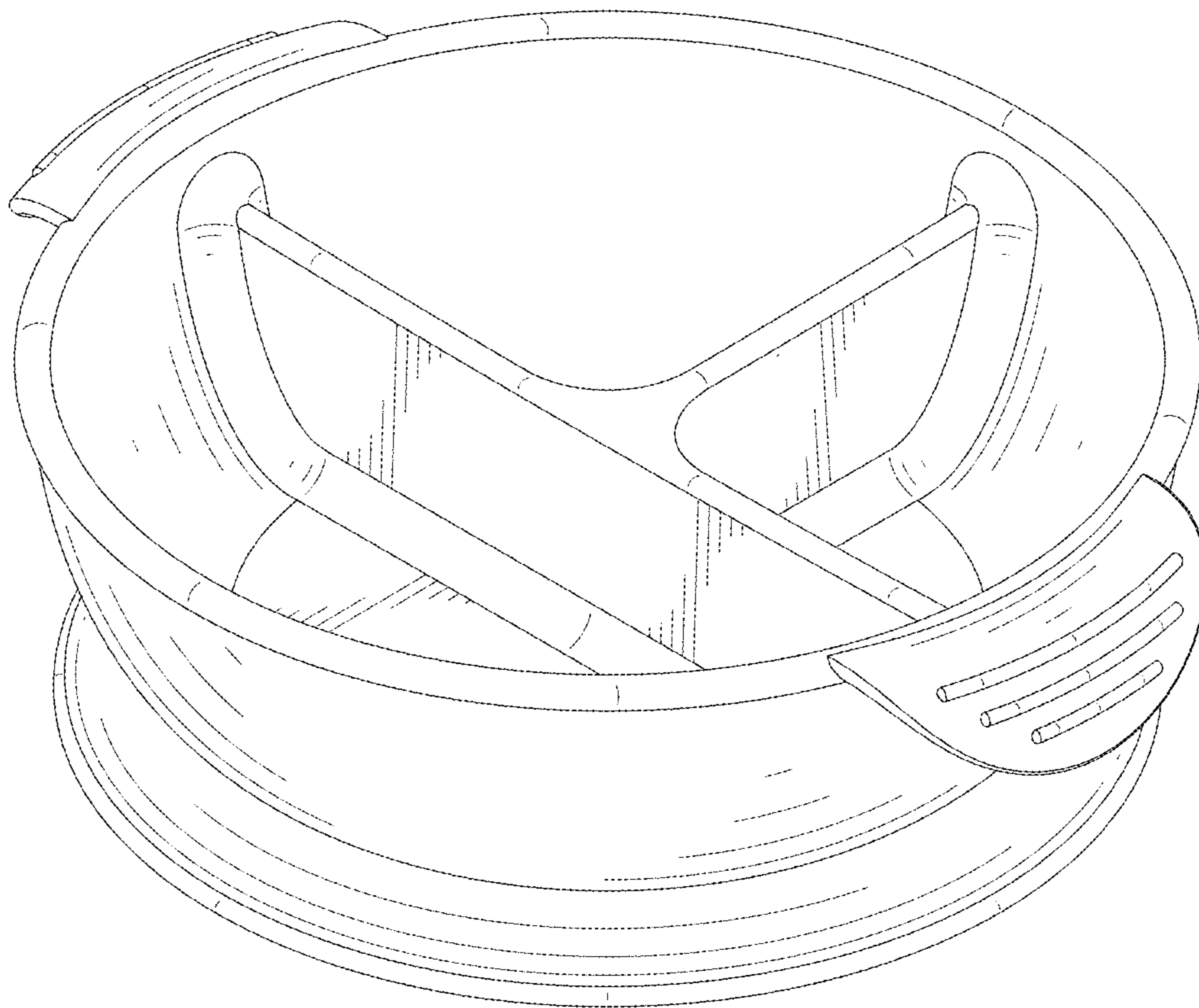


FIG.1

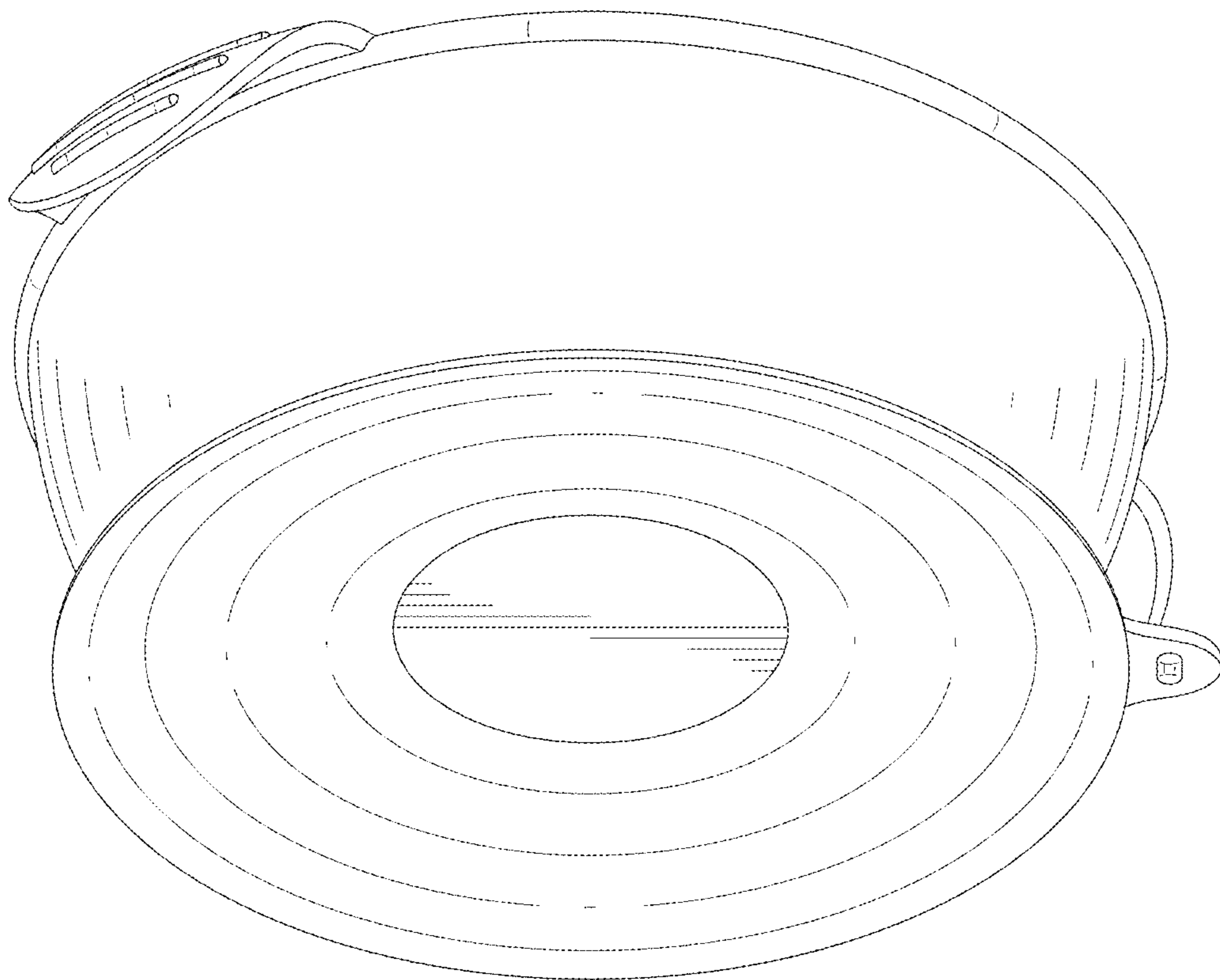


FIG.2

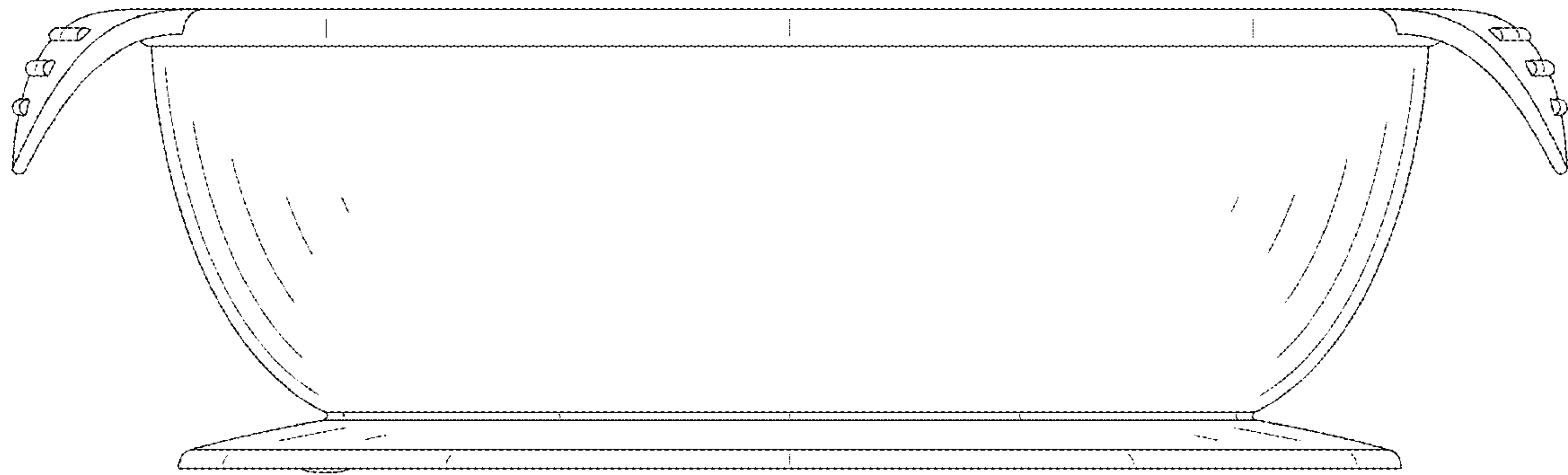


FIG.3

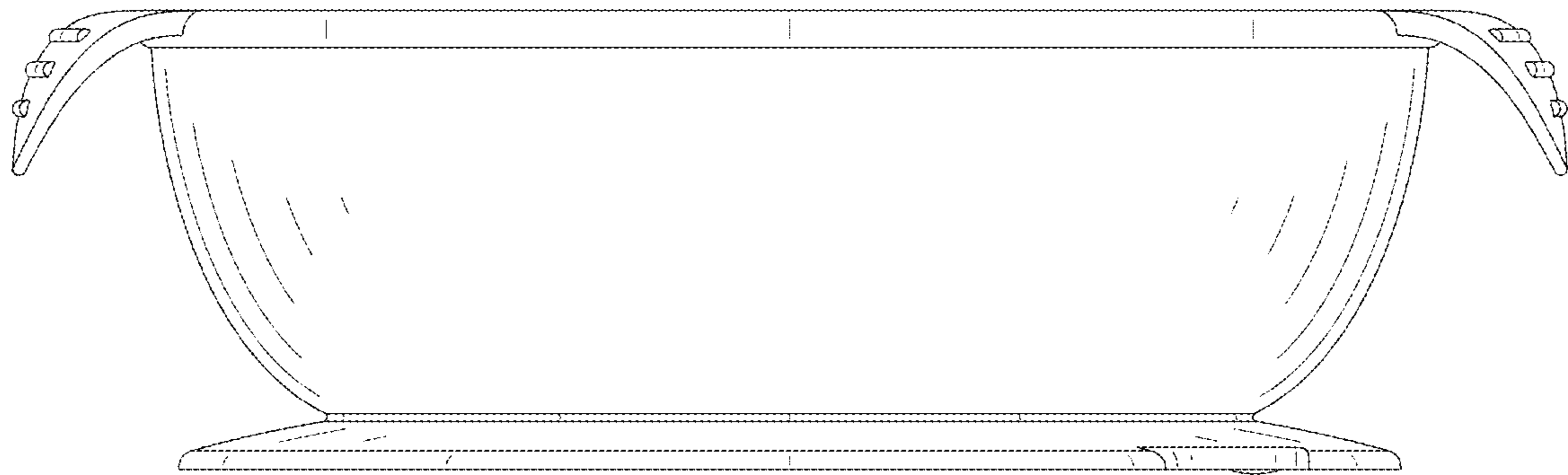


FIG.4

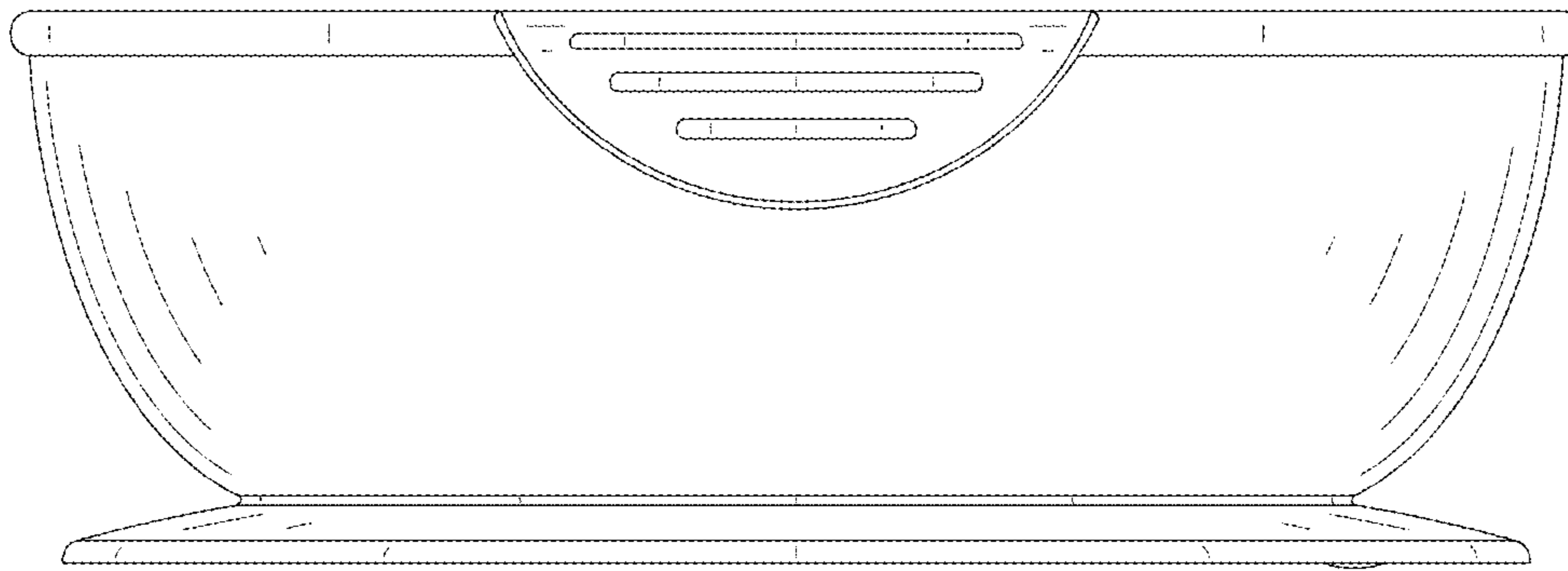


FIG.5

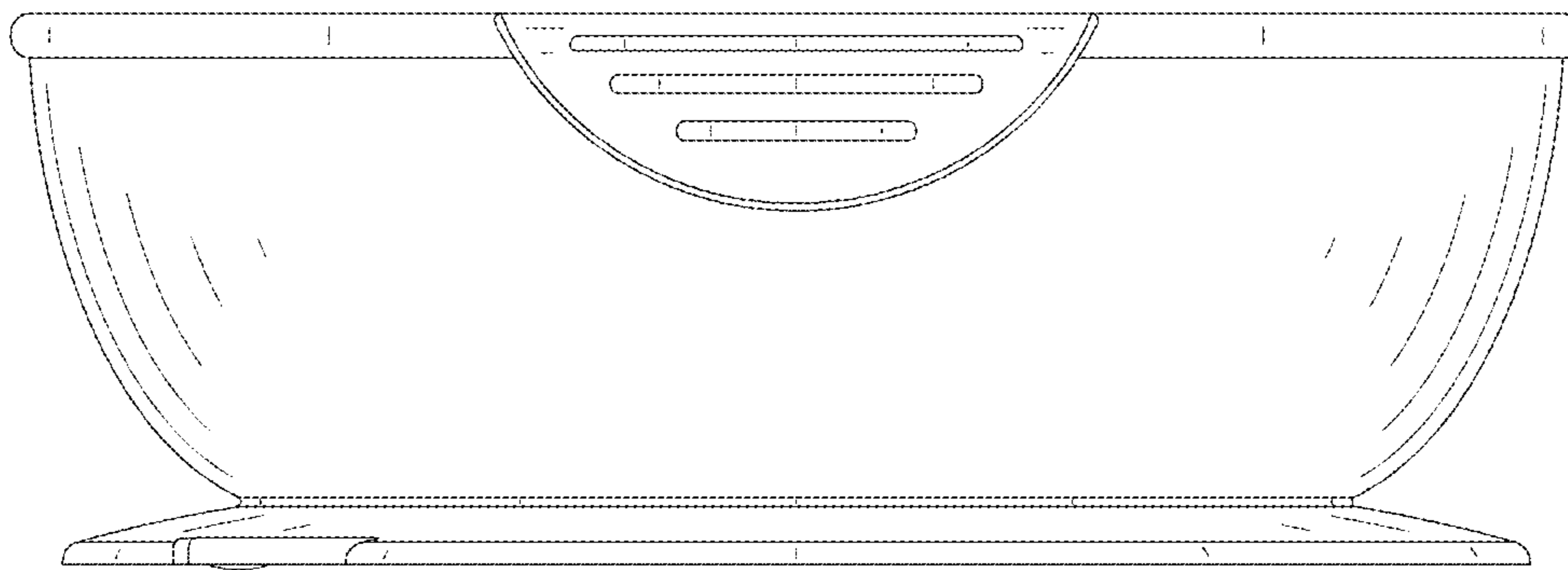


FIG.6

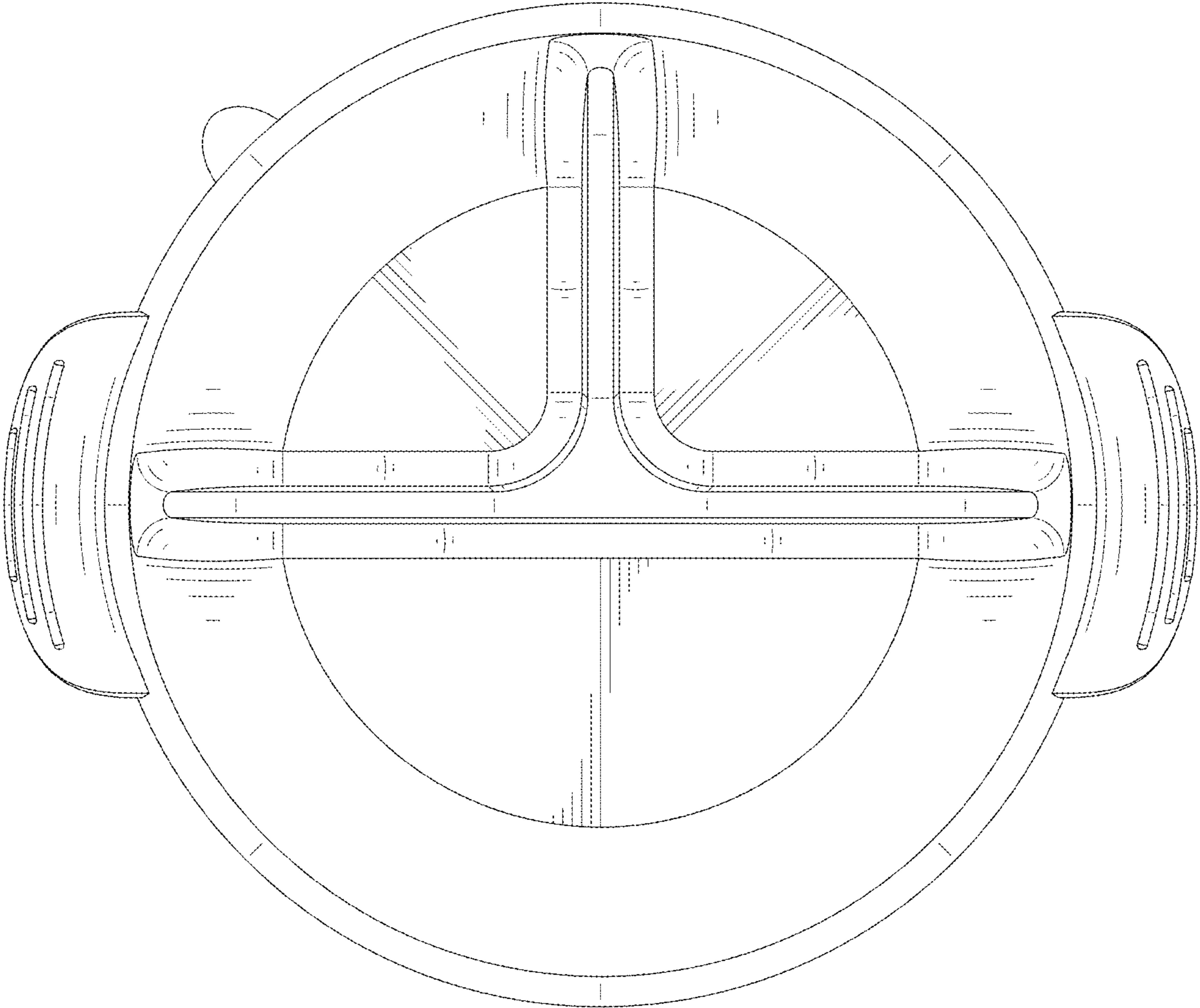


FIG.7

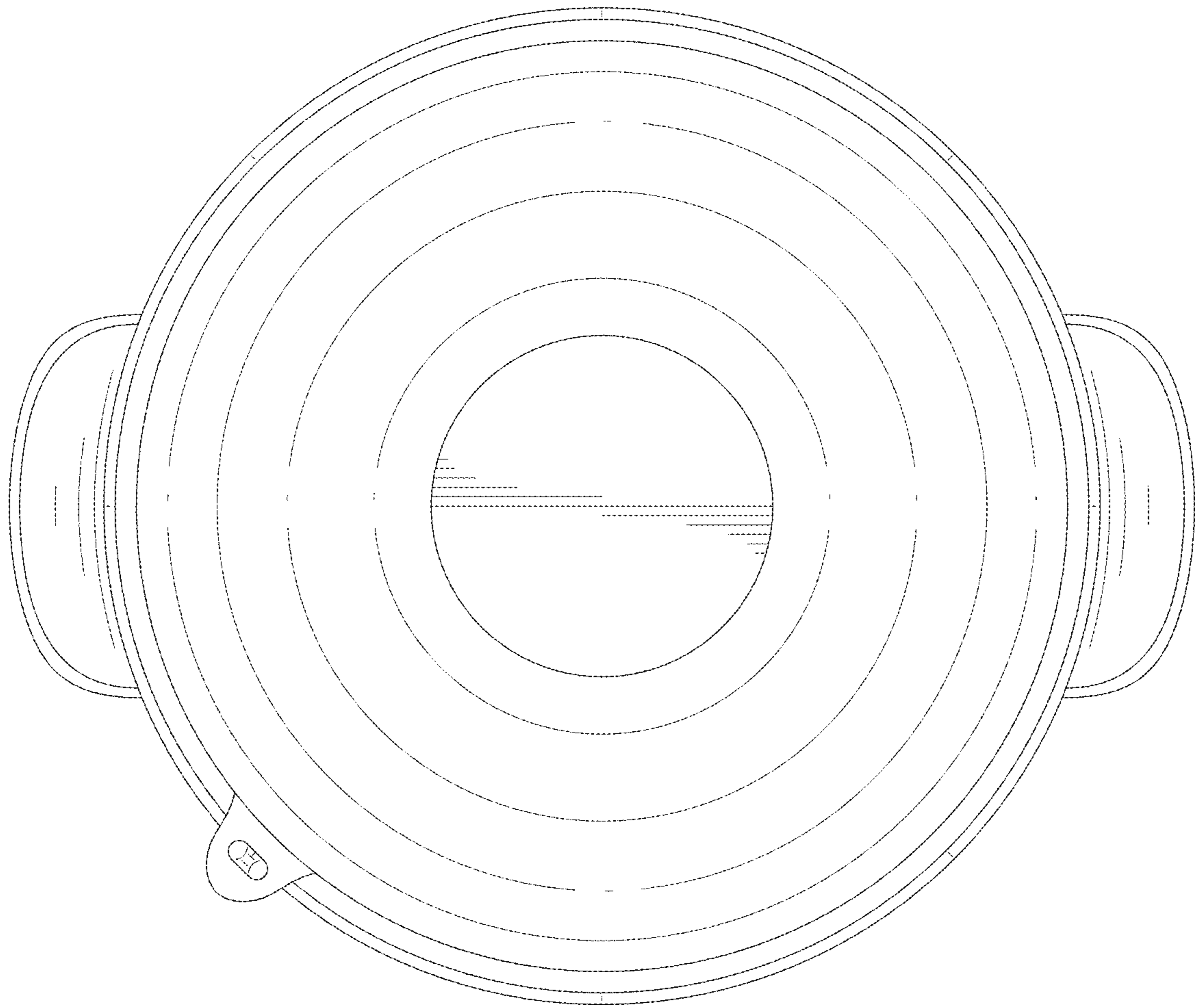


FIG.8

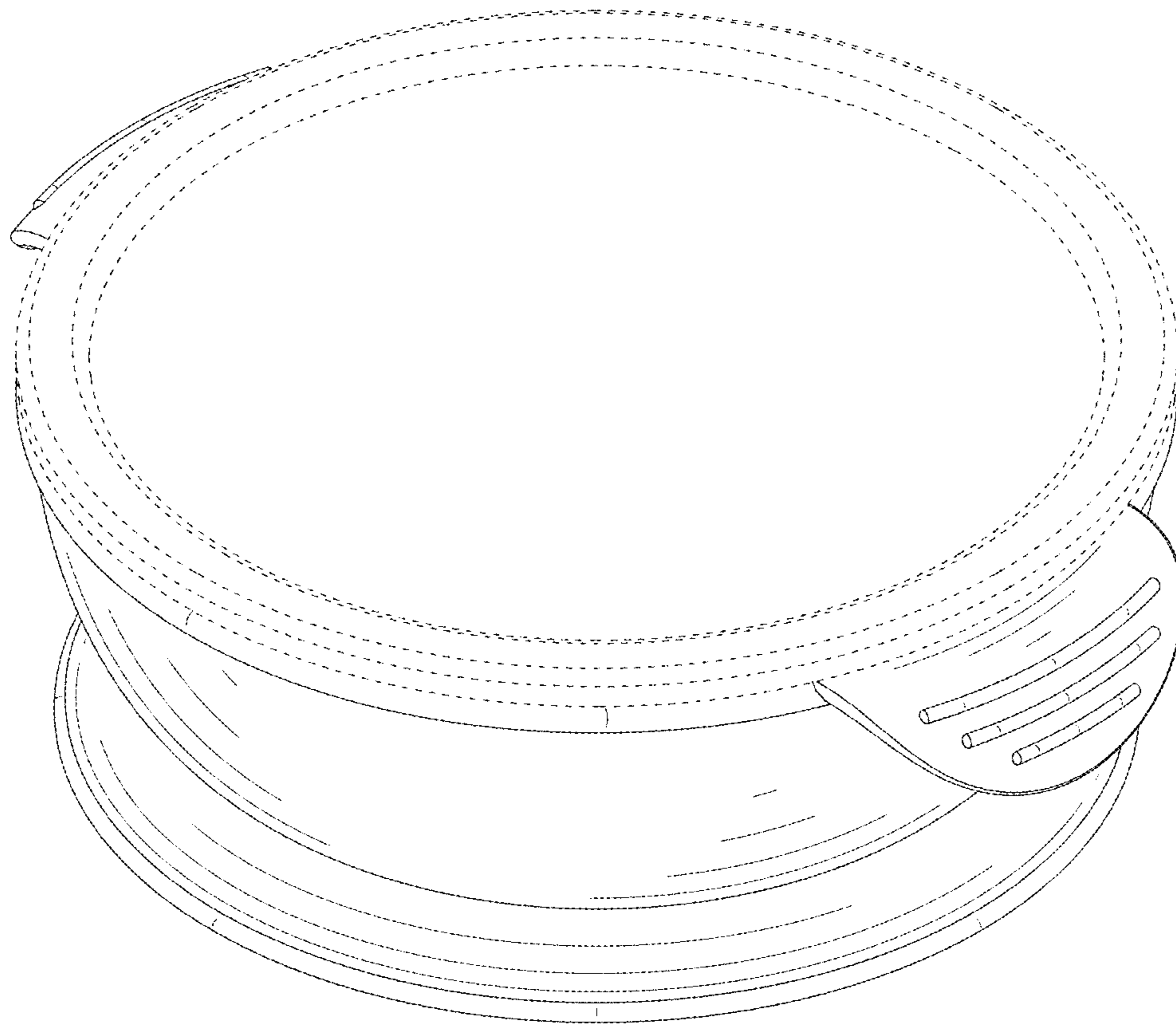


FIG.9