



US00D957891S

(12) **United States Design Patent** (10) **Patent No.:** **US D957,891 S**
Hazen et al. (45) **Date of Patent:** **** Jul. 19, 2022**

(54) **INSULATING SLEEVE FOR A BEVERAGE CONTAINER**
(71) Applicant: **PUFFIN COOLERS LLC**, Bend, OR (US)
(72) Inventors: **Tyrone Hugh Hazen**, Bend, OR (US); **Byron Jay Linton, Jr.**, Bend, OR (US); **Christina Joy Linton**, Bend, OR (US)
(73) Assignee: **Puffin Coolers LLC**, Bend, OR (US)

D303,150 S 8/1989 Falcon
D335,245 S 5/1993 Bauer
D335,614 S 5/1993 Diab
D388,663 S 1/1998 Rausch
D480,609 S 10/2003 Hicks et al.
D481,267 S 10/2003 Yamane
D482,242 S 11/2003 Yamane
D482,243 S 11/2003 Yamane
D482,244 S 11/2003 Yamane

(Continued)

(**) Term: **15 Years**

(21) Appl. No.: **29/826,961**

(22) Filed: **Feb. 16, 2022**

Related U.S. Application Data

(62) Division of application No. 29/739,782, filed on Jun. 29, 2020, now Pat. No. Des. 946,353.

(51) **LOC (13) Cl.** **07-09**

(52) **U.S. Cl.**

USPC **D7/625**

(58) **Field of Classification Search**

USPC D7/300, 301, 507, 509, 510, 511, 602, D7/603, 605, 606, 607, 608, 619.1, 619.2, D7/624.2, 624.3, 625, 710
CPC A45F 2200/00; A45F 2200/0583; A47G 19/027; A47G 19/127; A47G 19/2288; A47G 19/285; A47G 23/04; A47J 31/00; A47J 31/441; A47J 41/00; A47J 41/02; A47J 43/00; A47J 47/00; A47J 47/02; A47J 47/08

See application file for complete search history.

(56) **References Cited**

U.S. PATENT DOCUMENTS

4,401,245 A * 8/1983 Zills B65D 81/3897 224/148.6
D290,922 S 7/1987 Herrera

Primary Examiner — Joseph Kukella
Assistant Examiner — Darryl J Dardenne
(74) *Attorney, Agent, or Firm* — Leber IP Law; Celia H. Leber

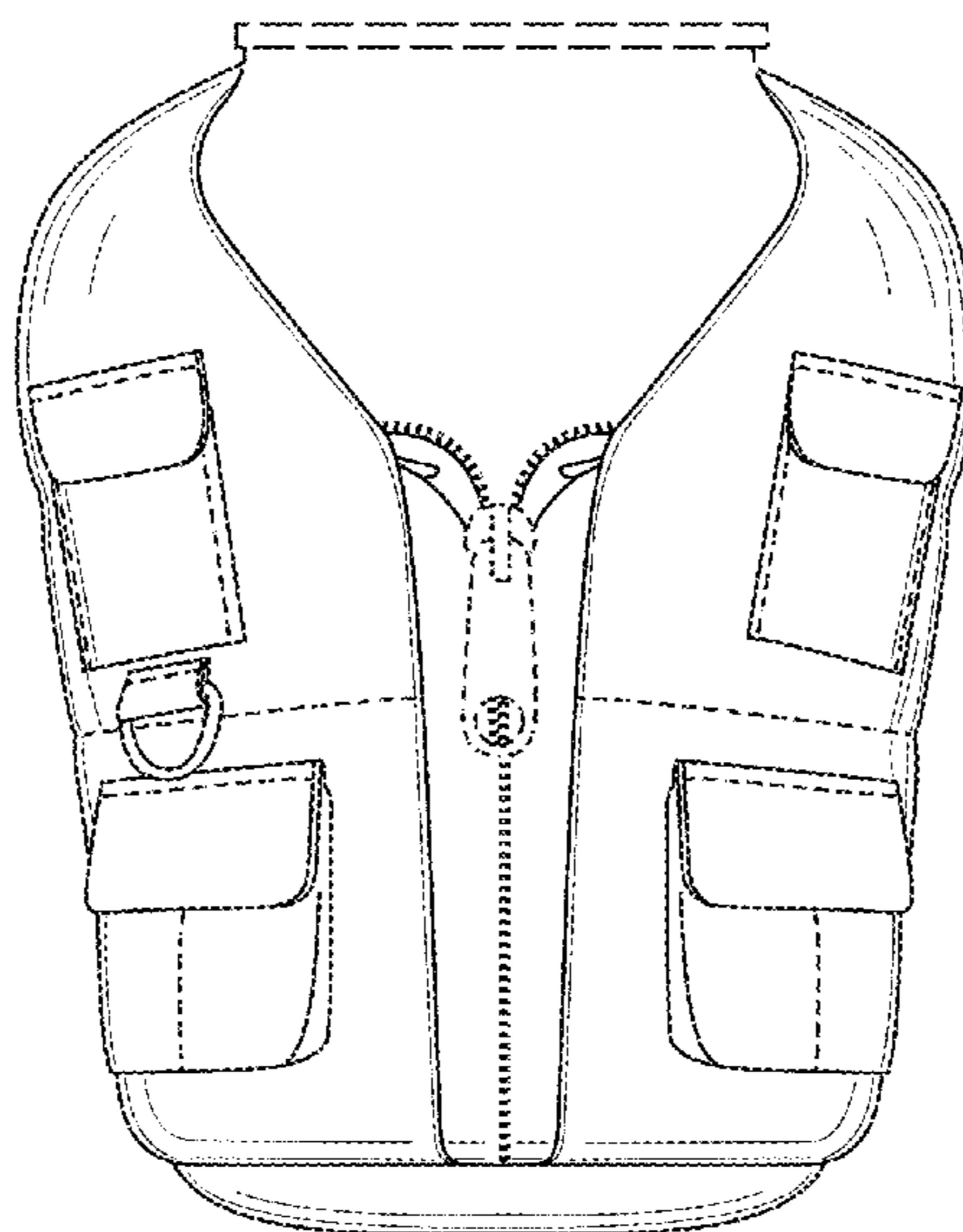
(57) **CLAIM**

The ornamental design for an insulating sleeve for a beverage container, as shown and described.

DESCRIPTION

FIG. 1 is a front elevation view of an insulating sleeve for a beverage container showing our new design; FIG. 2 is a rear elevation view thereof; FIG. 3 is a left side elevation view thereof; FIG. 4 is a right side elevation view thereof; FIG. 5 is a top plan view thereof; and, FIG. 6 is a bottom plan view thereof. The broken lines in the figures are directed to environment forming no part of the claimed design or show portions of the insulating sleeve for a beverage container that form no part of the claimed design. In the drawings the long dash broken lines depict environmental subject matter that forms no part of the claimed design; the short dash lines depict portions of the article that form no part of the claimed design. The shade lines in the figures show contour and do not claim surface ornamentation or treatment.

1 Claim, 3 Drawing Sheets



(56)

References Cited

U.S. PATENT DOCUMENTS

D482,935	S	12/2003	Yamane	
D484,366	S	12/2003	Yamane	
D489,229	S *	5/2004	Yamane	D7/625
D489,576	S *	5/2004	Ramsdale	D7/625
D494,423	S	8/2004	Wright	
D497,780	S	11/2004	Hicks et al.	
D499,309	S	12/2004	Hicks	
D505,049	S	5/2005	Ramsdale	
D505,838	S	6/2005	Hicks	
D623,022	S	9/2010	Phillips	
D651,862	S	1/2012	Fontana-Kwon	
D677,127	S	3/2013	Brown	
D677,995	S	3/2013	Chickering, II	
D688,102	S	8/2013	Chu	
D696,858	S	1/2014	Kowalsky et al.	
D714,100	S	9/2014	Hiner	
D785,807	S	5/2017	Saadia	
D940,509	S *	1/2022	Hazen	D7/606
2019/0225405	A1 *	7/2019	Hazen	B65D 81/3886

* cited by examiner

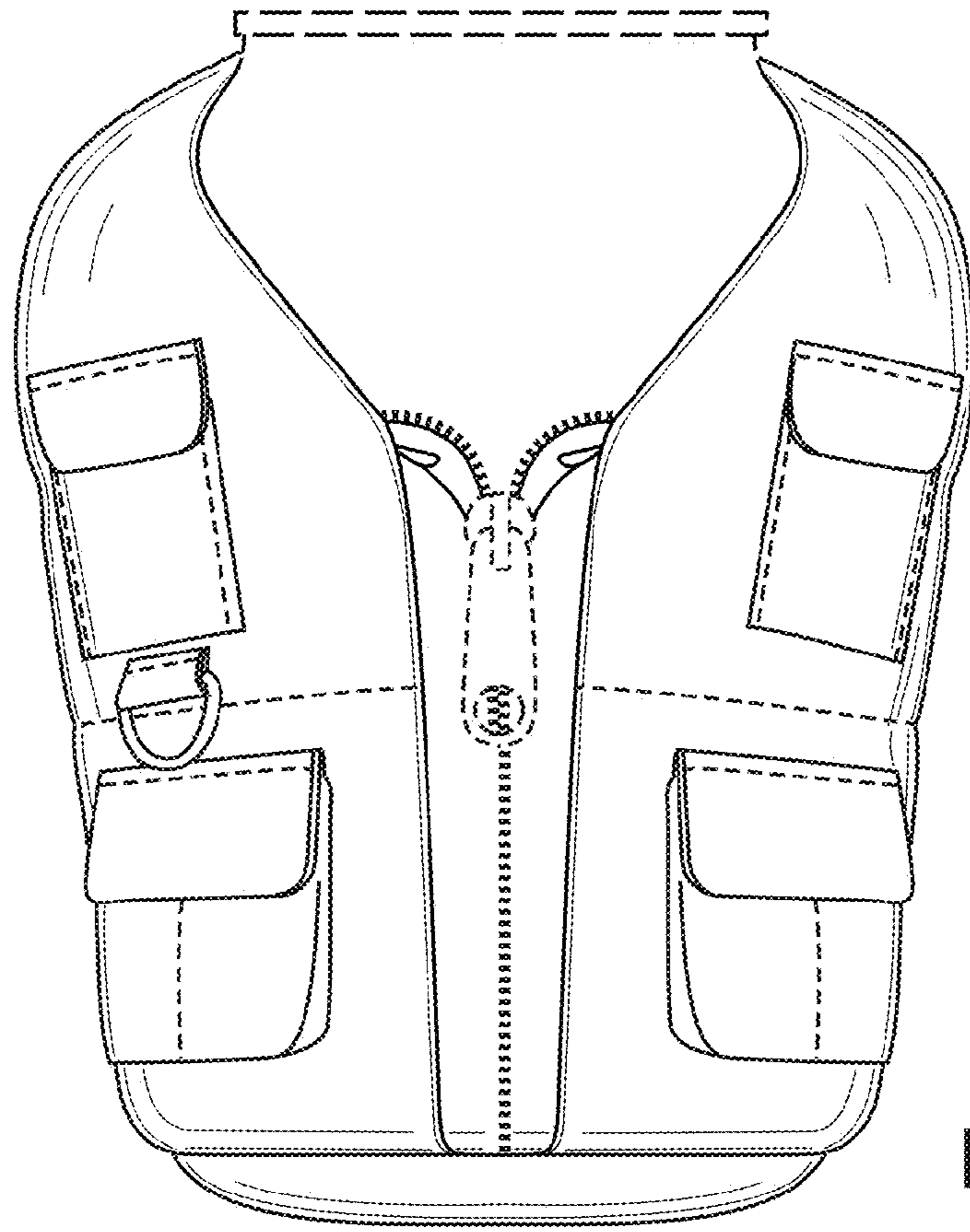


FIG. 1

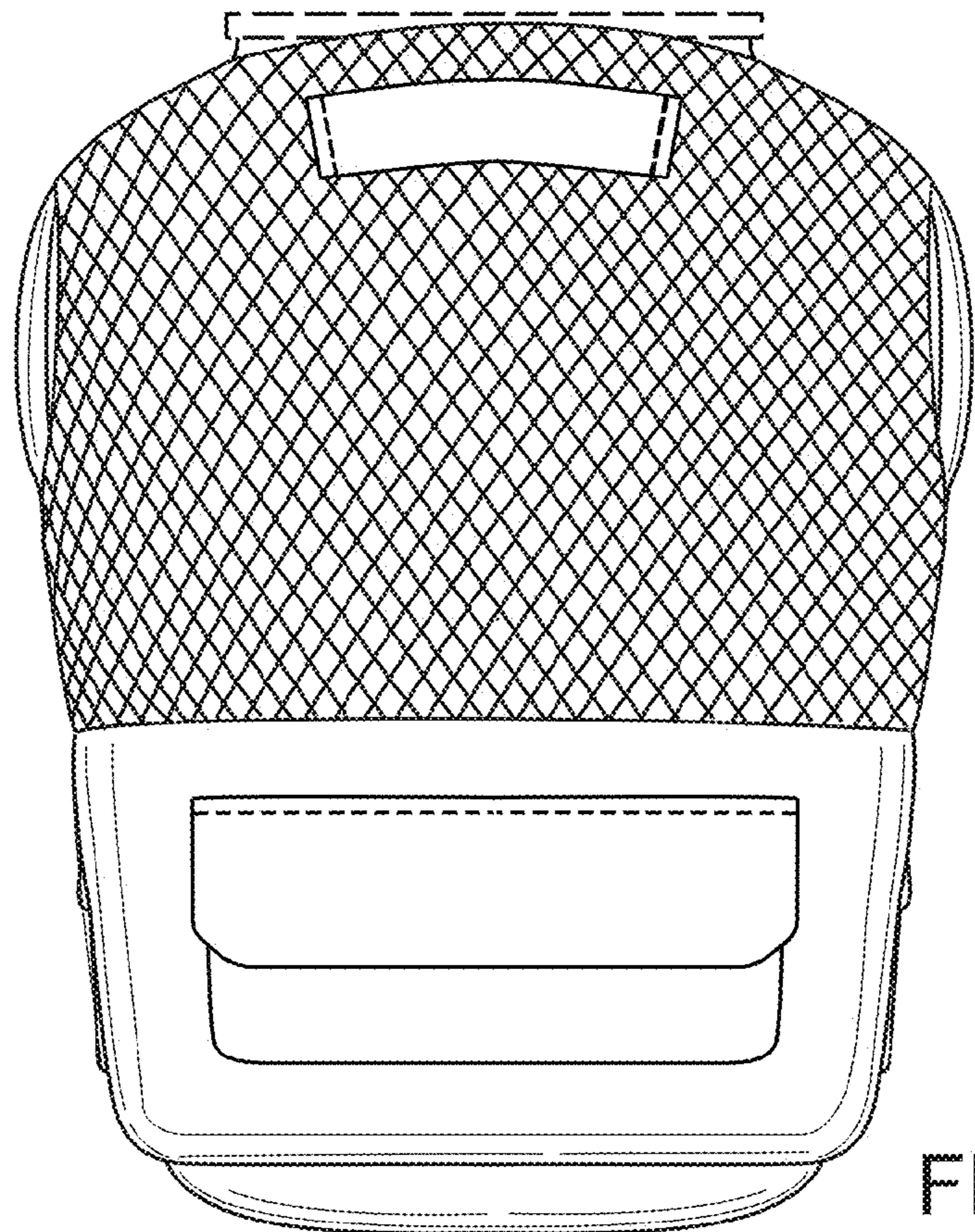


FIG. 2

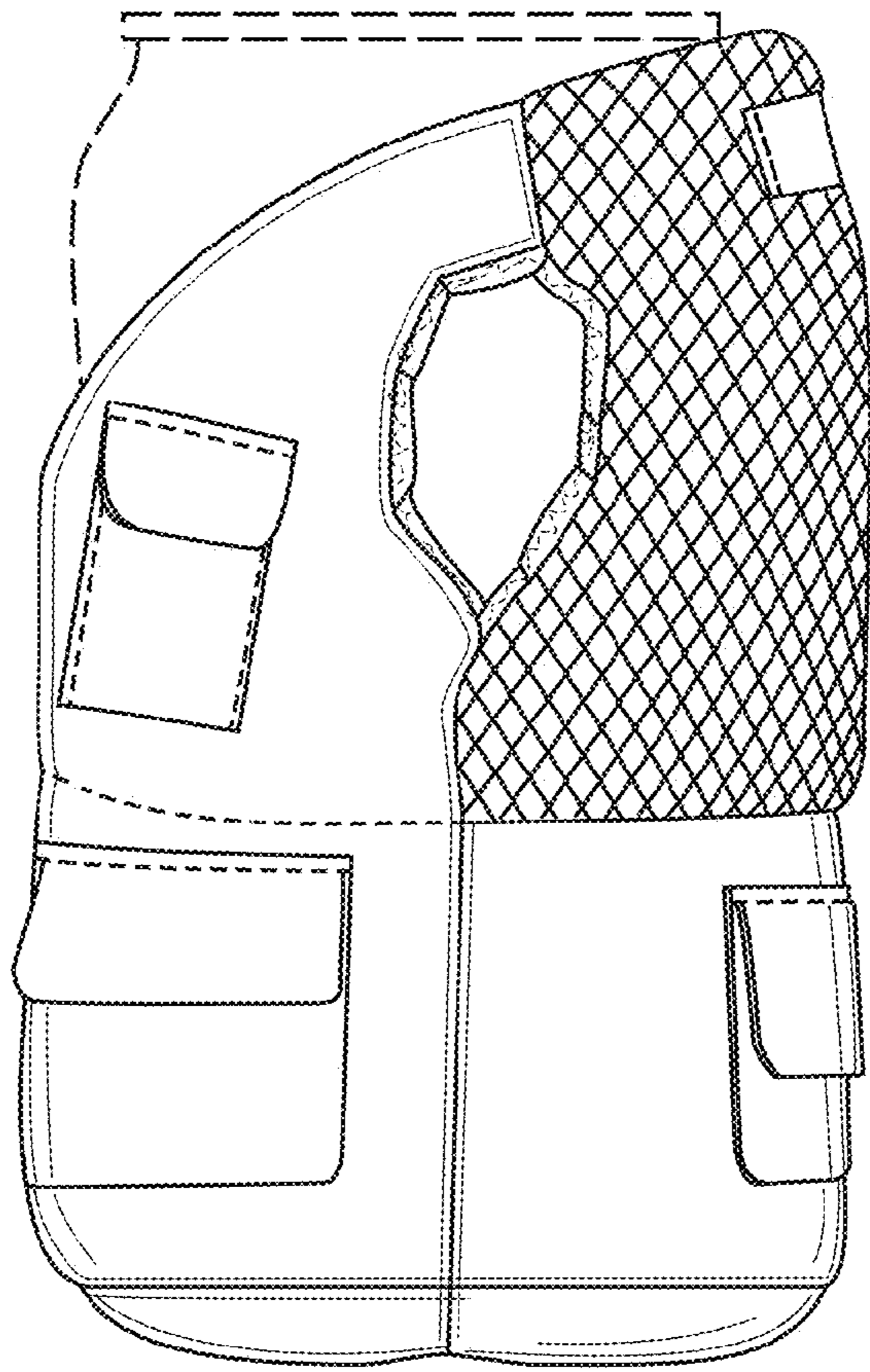


FIG. 3

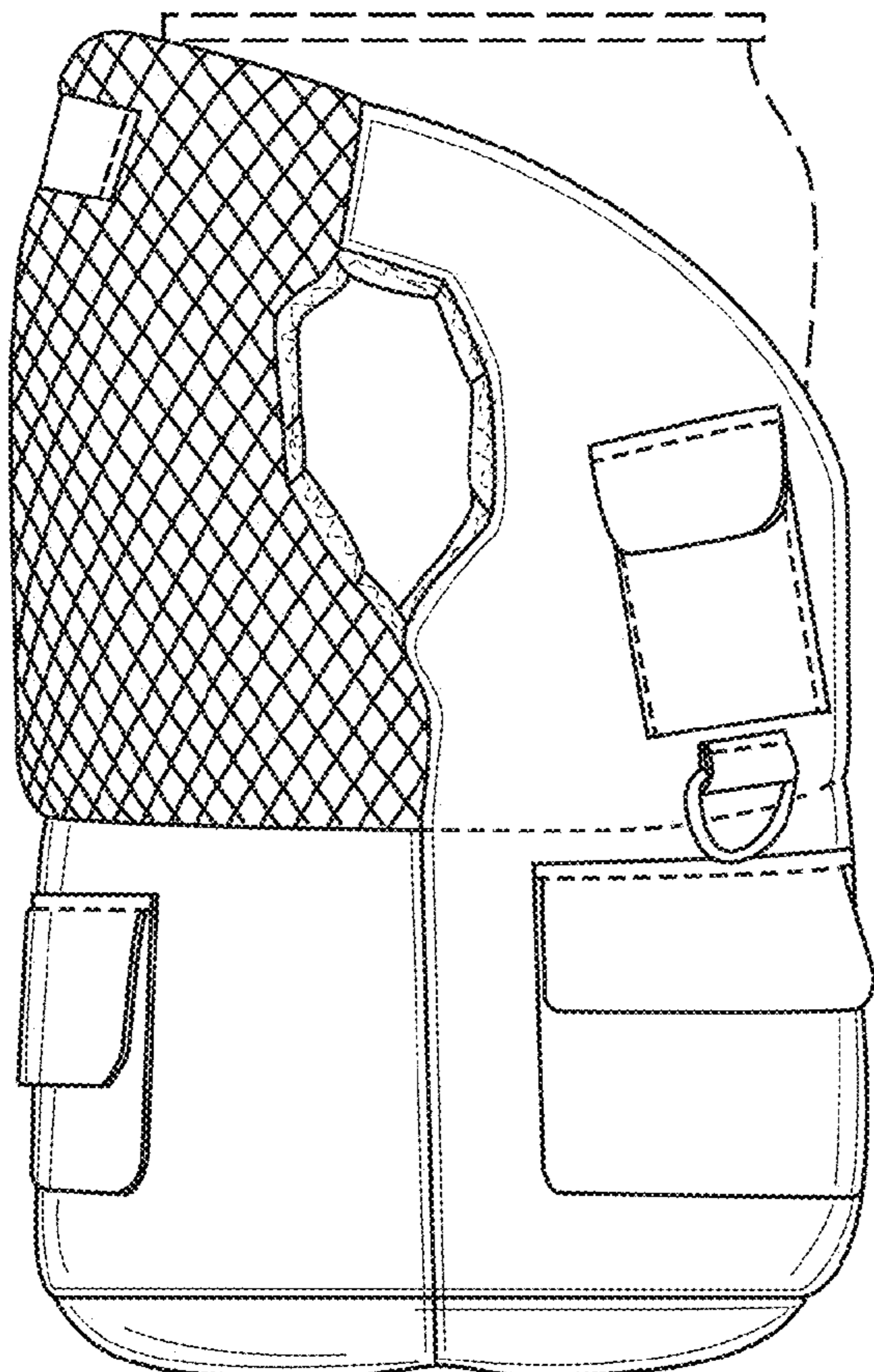


FIG. 4

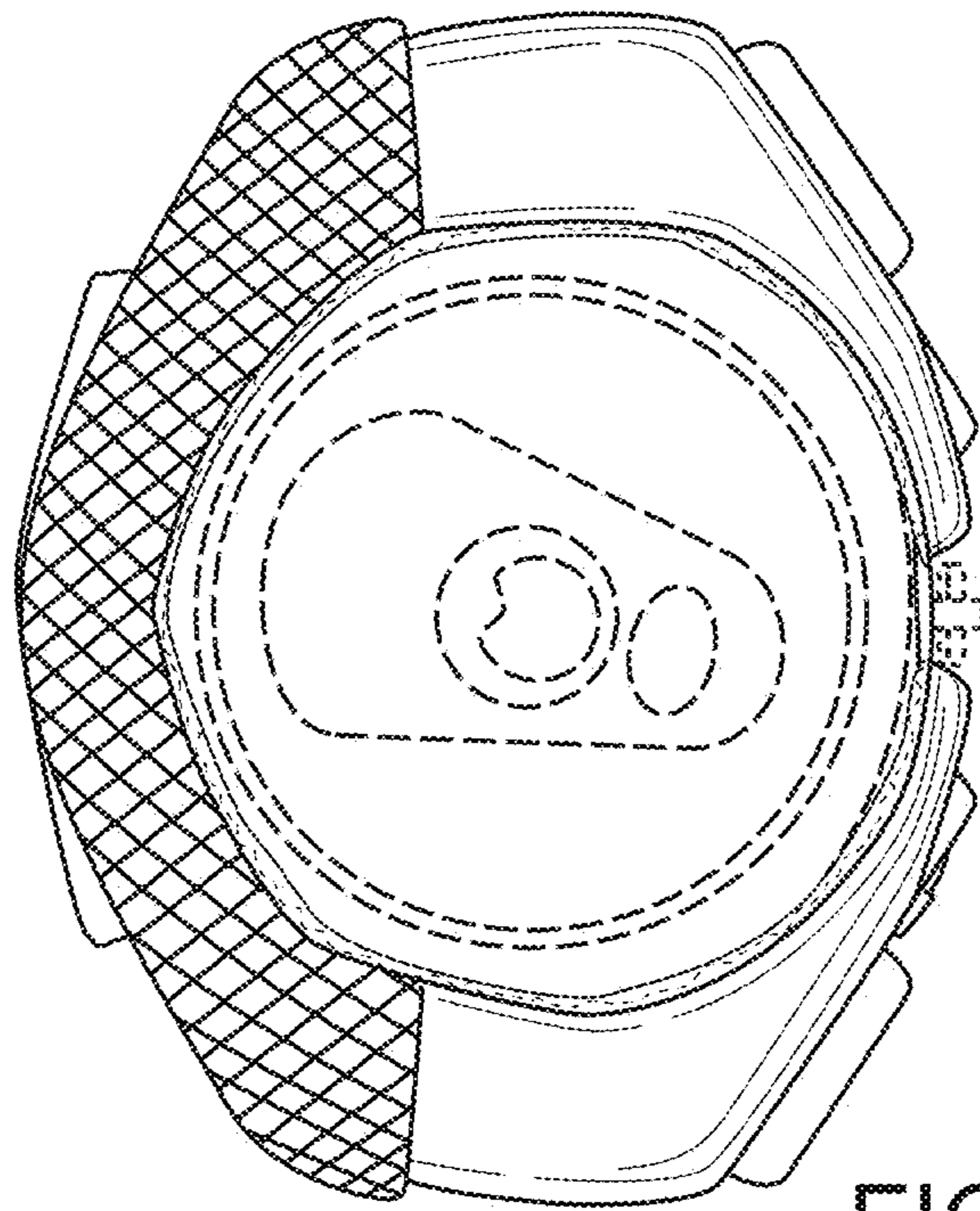


FIG. 5

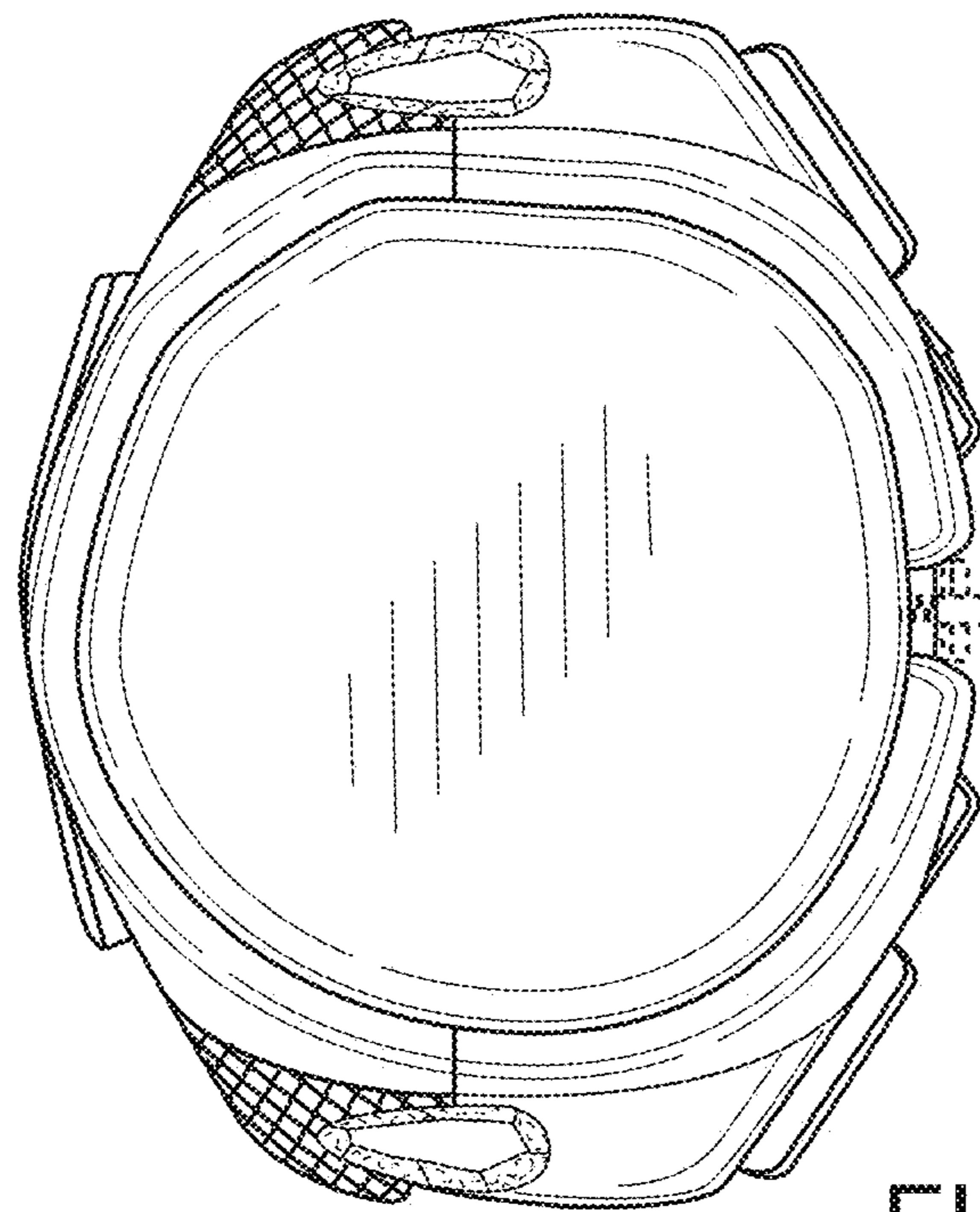


FIG. 6