

US00D957887S

(12) **United States Design Patent**
Zhao

(10) **Patent No.:** **US D957,887 S**

(45) **Date of Patent:** **** Jul. 19, 2022**

(54) **BREAD BOX**

6,707,009 B1 * 3/2004 Ancona A47J 37/0871
219/386

(71) Applicant: **Li Zhao**, Jiangsu (CN)

D594,254 S * 6/2009 Mori D6/661

D815,864 S * 4/2018 Burton D6/675

(72) Inventor: **Li Zhao**, Jiangsu (CN)

D901,948 S * 11/2020 Burton D6/675

D917,978 S * 5/2021 Zhang D7/609

D918,667 S * 5/2021 Zhang D7/609

(73) Assignee: **Nanjing Hezhen Information Technology Co., Ltd.**, Nanjing (CN)

(Continued)

(**) Term: **15 Years**

FOREIGN PATENT DOCUMENTS

(21) Appl. No.: **29/764,592**

CN 306557786 * 5/2021

CN 306557787 * 5/2021

(22) Filed: **Dec. 31, 2020**

OTHER PUBLICATIONS

(51) **LOC (13) Cl.** **07-07**

(52) **U.S. Cl.**

USPC **D7/609**

(58) **Field of Classification Search**

USPC D7/601-603, 605, 609, 759-761,
D7/629-630, 637, 368, 392.1, 555, 708.1,
D7/703; D9/414-416, 418, 420,
D9/424-425, 430-432; D3/294, 304,
D3/309, 312; D6/657, 659-661,
D6/661.1-661.2, 672, 675, 609, 670;
D11/131

CPC B65D 1/26; B65D 1/40; B65D 81/34
See application file for complete search history.

Extra Large Bread Box, Goodpick, amazon.com, published by Goodpick, first available on Mar. 3, 2021 © 1996-2021 Amazon.com, Inc., online, site visited Nov. 24, 2021. Available from Internet, URL: https://www.amazon.com/Goodpick-Kitchen-Countertop-Storage-Windows/dp/B08XX3MNJ7/ref=sr_1_93?keywords=bread+box&qid=1637771150&sr=8-93 (Year: 2021).*

(Continued)

Primary Examiner — Sandra Snapp
Assistant Examiner — Altaira J Swangin

(56) **References Cited**

(57) **CLAIM**

The ornamental design for a bread box, as shown and described.

U.S. PATENT DOCUMENTS

DESCRIPTION

D39,860 S * 3/1909 Rosengard et al. D7/703
D116,229 S * 8/1939 Garten D7/609
2,319,433 A * 5/1943 Phillips A47F 3/0404
312/116
D161,771 S * 1/1951 Lumley D7/609
D209,224 S * 11/1967 Livingston et al. D7/609
D278,193 S * 4/1985 Boxall D15/83
D291,644 S * 9/1987 Osborn D6/670
5,433,140 A * 7/1995 Ogee A47J 47/12
312/71
D369,523 S * 5/1996 Olson D6/522
D484,752 S * 1/2004 Verbeek A47J 47/12
D7/609

FIG. 1 is a perspective view of a bread box showing my new design;

FIG. 2 is a front elevation view thereof;

FIG. 3 is a rear elevation view thereof;

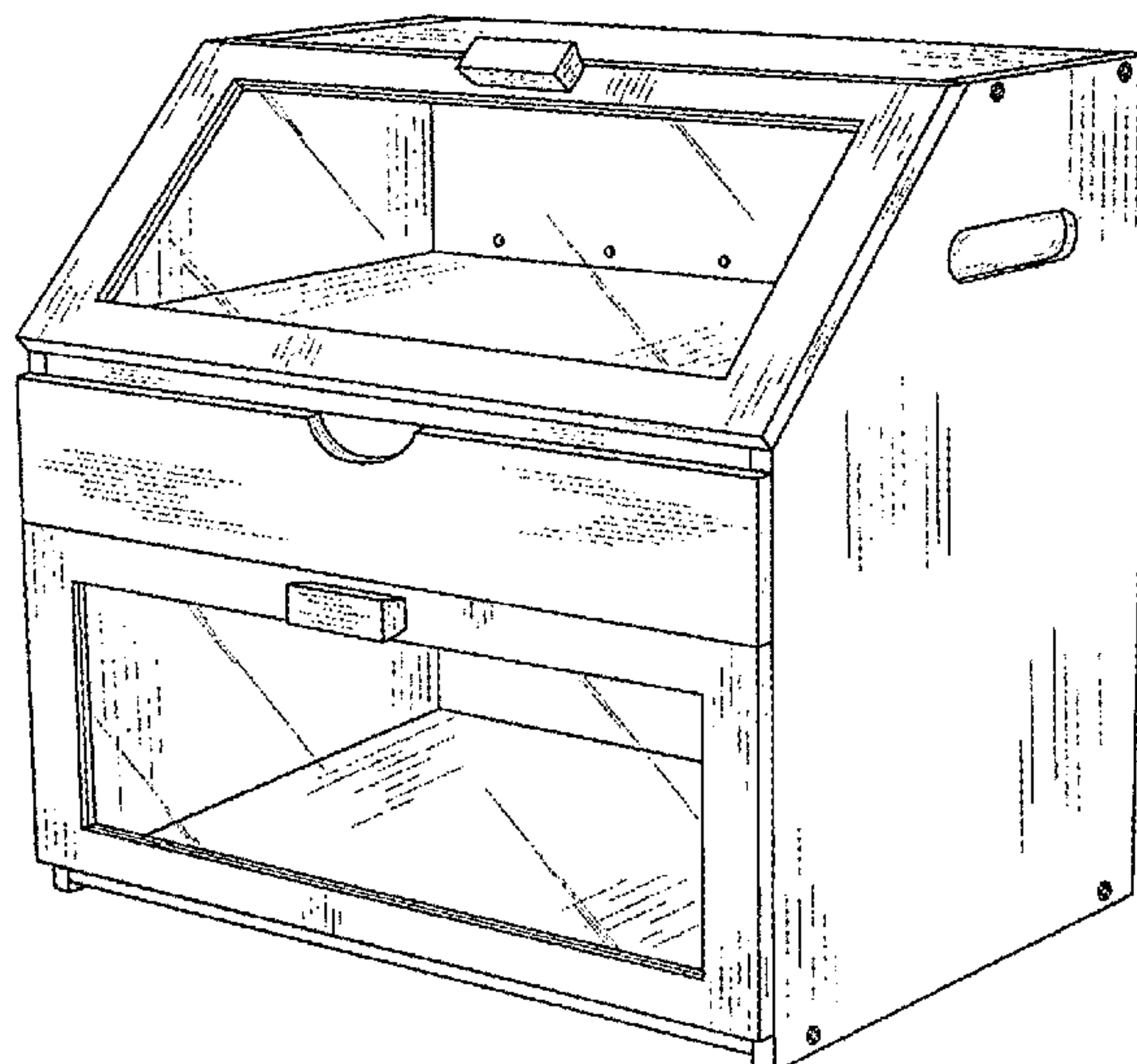
FIG. 4 is a left side elevation view thereof;

FIG. 5 is a right side elevation view thereof;

FIG. 6 is a top plan view thereof; and,

FIG. 7 is a bottom plan view thereof.

1 Claim, 7 Drawing Sheets



(56)

References Cited

U.S. PATENT DOCUMENTS

D922,830 S * 6/2021 Zhang D7/609
D945,222 S * 3/2022 Schelin D7/609

OTHER PUBLICATIONS

Natural Bamboo 3 Layer Bread Box, TQVAI, amazon.com, published by TQVAI, first available on Apr. 9, 2020 © 1996-2021 Amazon.com, Inc., online, site visited Nov. 24, 2021. Available from Internet, URL: <https://www.amazon.com/TQVAI-Natural-Cutlery-Separable-Organizer/dp/B086X9JRSZ?th=1> (Year: 2020).*

Extra Large Double Compartment Bread Box, Laura's Green Kitchen, amazon.com, published by Laura's Green Kitchen, first available on Mar. 28, 2020 © 1996-2021 Amazon.com, Inc., online, site visited Dec. 15, 2021. Available at URL: <https://www.amazon.com/LAURAS-GREEN-KITCHEN-Double-Compartment/dp/B086H> (Year: 2020).*

* cited by examiner

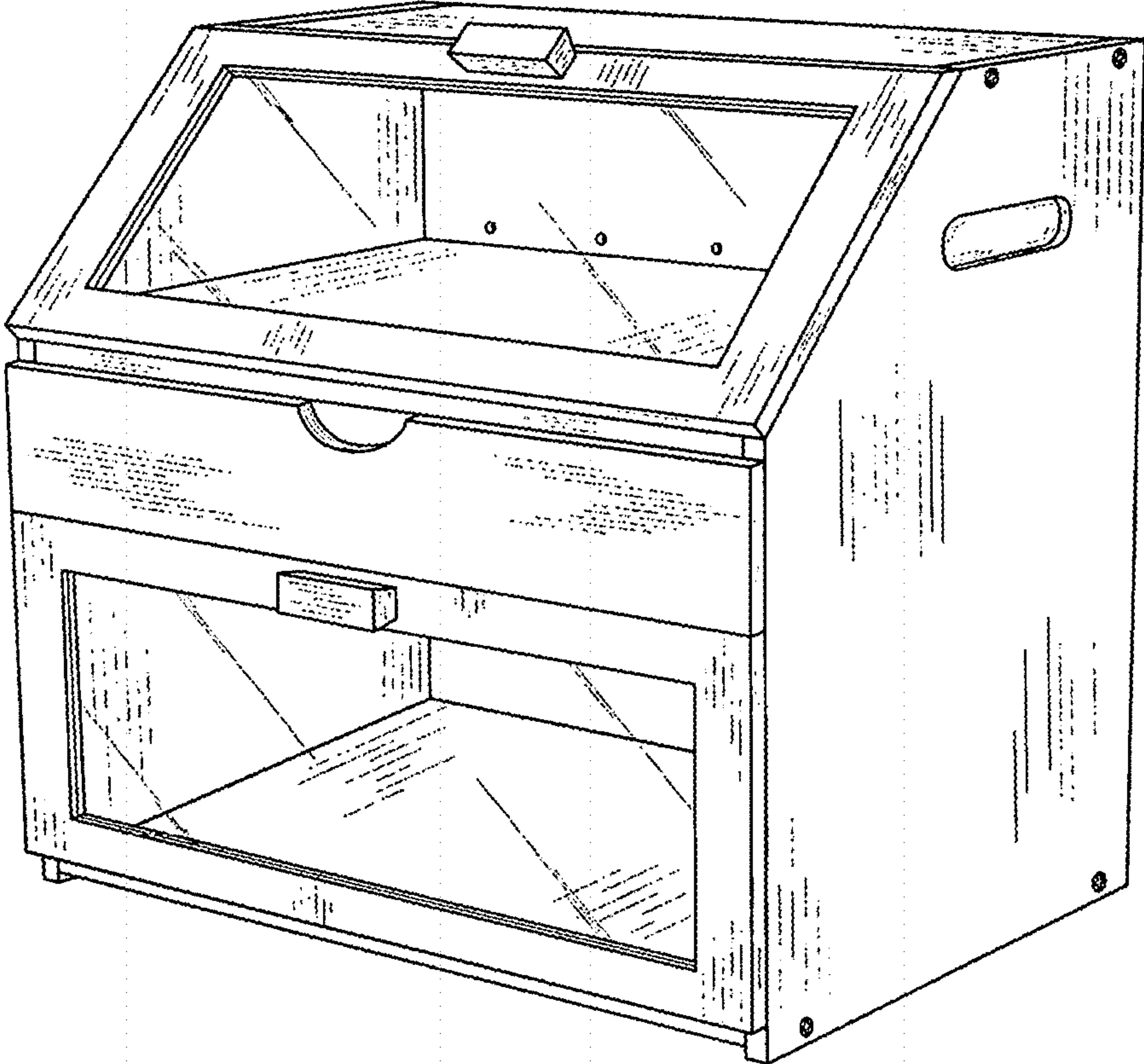


FIG. 1

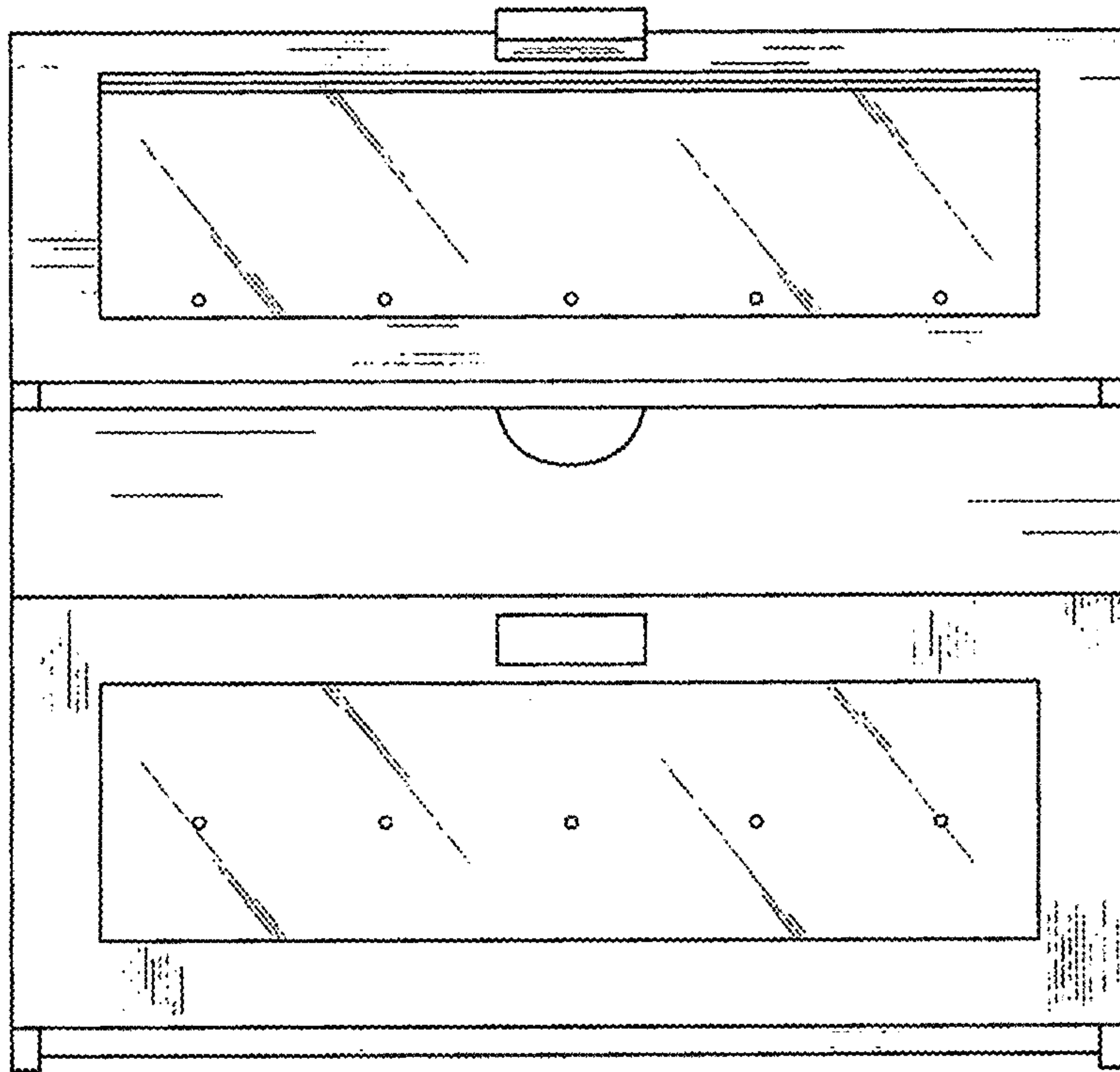


FIG. 2

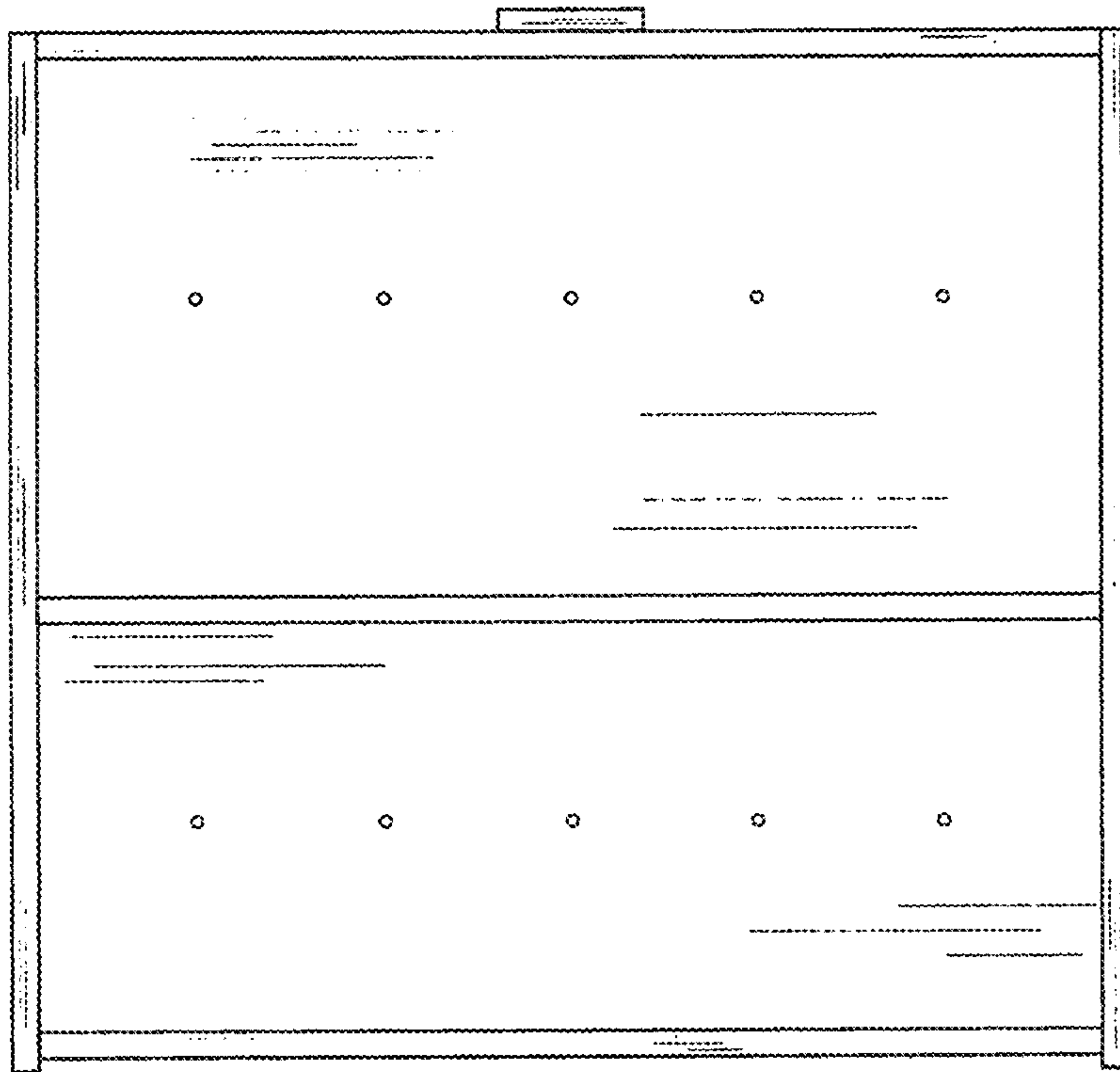


FIG. 3

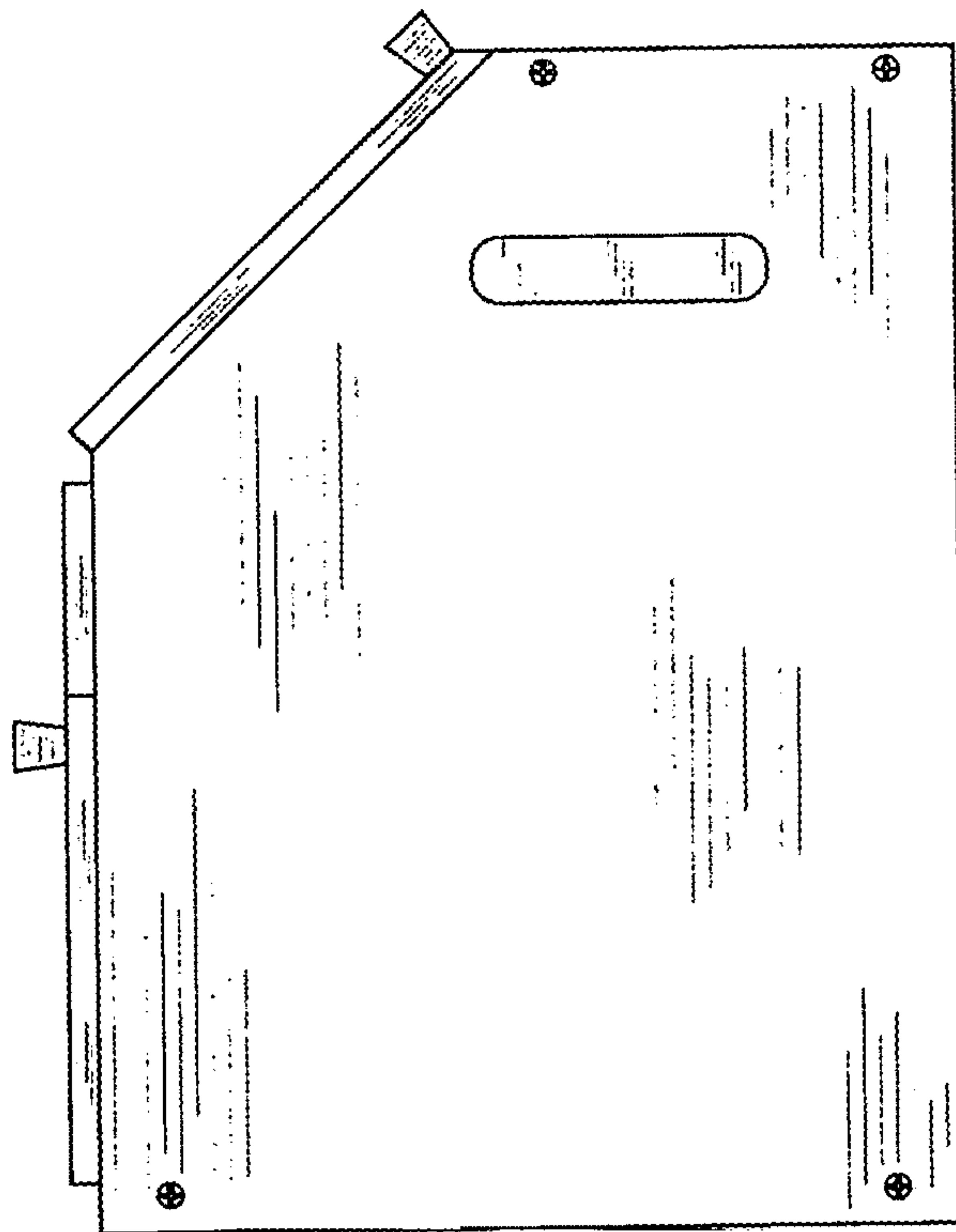


FIG. 4

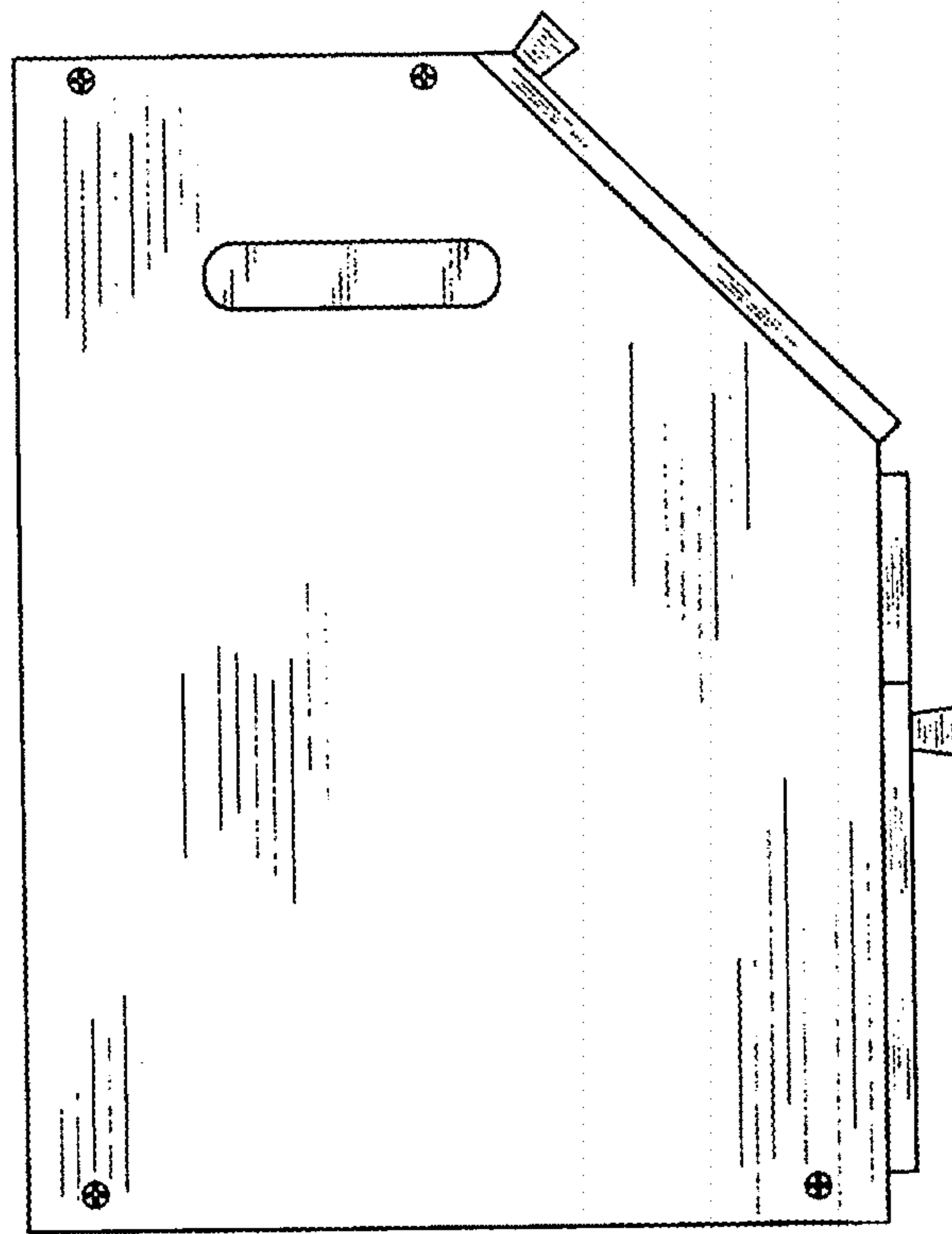


FIG. 5

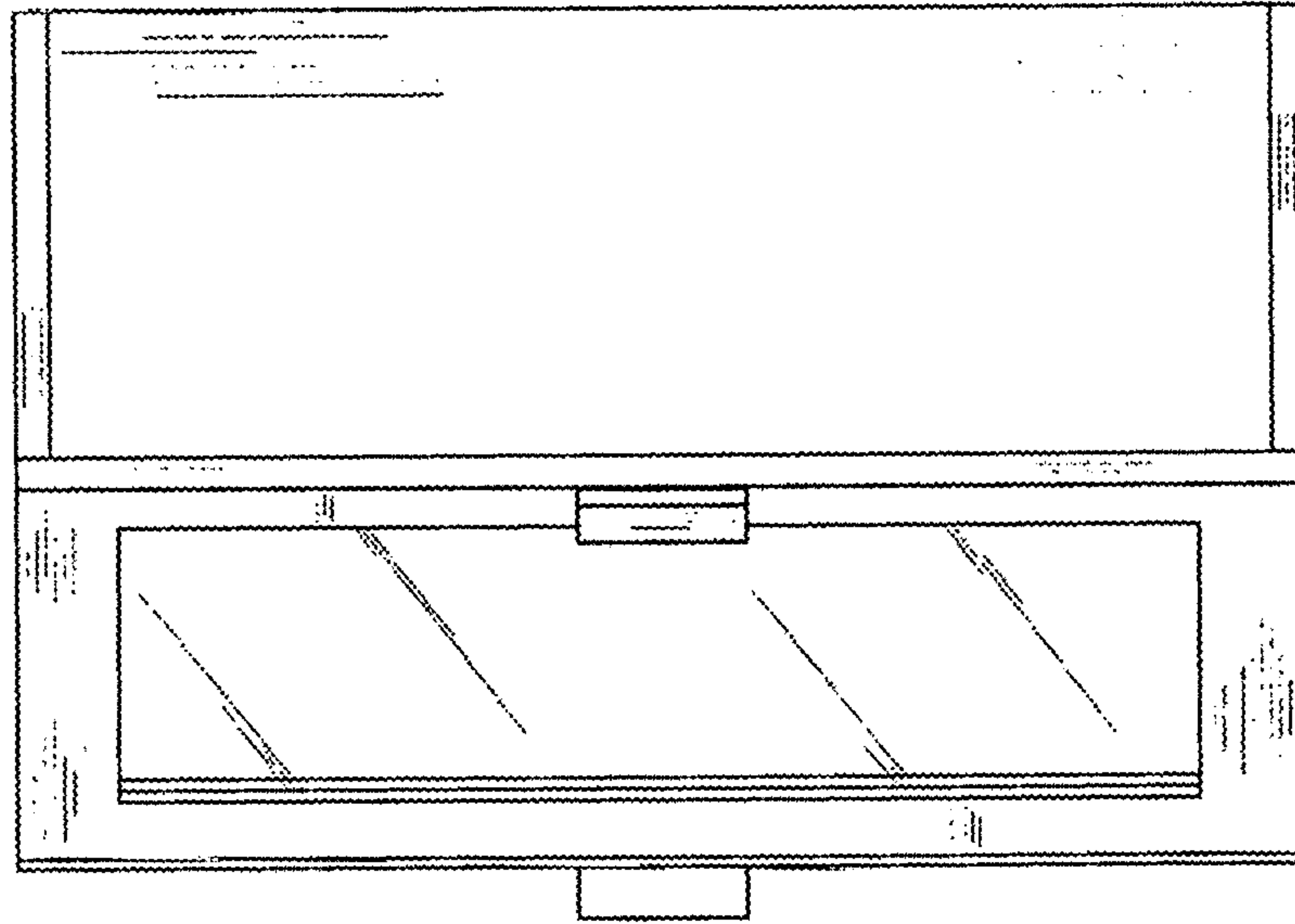


FIG. 6

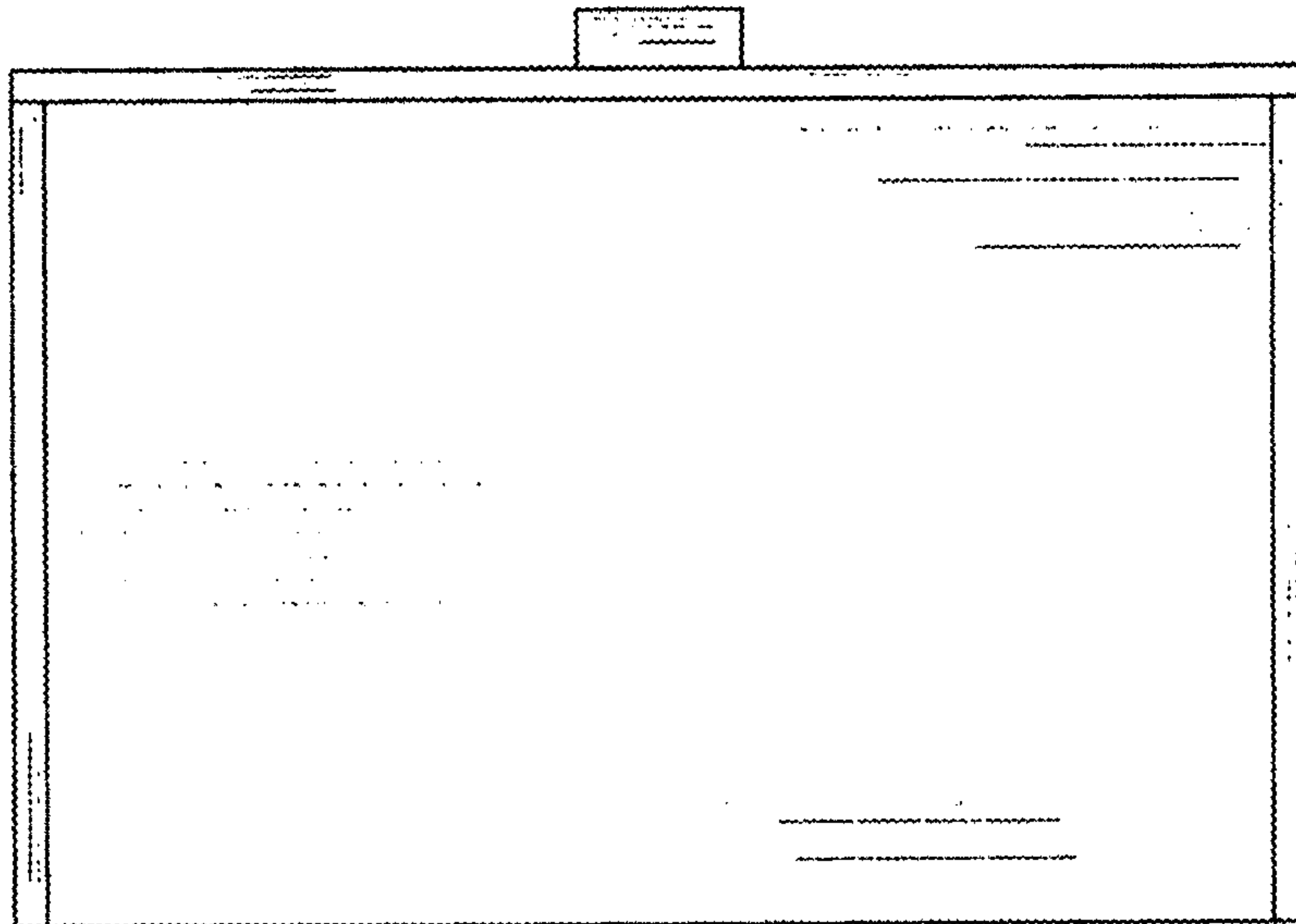


FIG. 7