



US00D957885S

(12) **United States Design Patent**
Zhang

(10) **Patent No.:** **US D957,885 S**
(45) **Date of Patent:** **** Jul. 19, 2022**

(54) **WATER BOTTLE**

(71) Applicant: **Siduo Zhang**, Guangdong (CN)

(72) Inventor: **Siduo Zhang**, Guangdong (CN)

(73) Assignee: **GUANGZHOU BAOMEI NETWORK TECHNOLOGY CO., LTD.**, Guangzhou (CN)

(**) Term: **15 Years**

(21) Appl. No.: **29/784,505**

(22) Filed: **May 19, 2021**

(51) **LOC (13) Cl.** **07-01**

(52) **U.S. Cl.**

USPC **D7/510**; D7/396.2

(58) **Field of Classification Search**

USPC D7/507, 509, 510, 511, 523, 533, 536, D7/392.1, 396.1, 396.2, 608, 300.1, 598, D7/600, 532, 900; D9/443, 446, 449, D9/535, 516, 549; D3/202; D29/125, D29/126; 220/713, 715

CPC A47G 19/2205; A47G 23/16; A47G 19/2272; A47J 41/00; A47J 41/02; A47J 41/0088; A47J 41/0077; Y10S 220/903; B65D 21/02; B65D 43/00; B65D 41/00

See application file for complete search history.

(56) **References Cited**

U.S. PATENT DOCUMENTS

D457,035 S *	5/2002	Hurlbut	D7/510
D470,774 S *	2/2003	Zaksenberg	D9/542
D479,949 S *	9/2003	Janky	D7/510
D482,620 S *	11/2003	Kleckauskas	D9/530
D519,380 S *	4/2006	Leoncavallo	D9/547
D528,921 S *	9/2006	Leoncavallo	D9/530
D532,312 S *	11/2006	Conway	D9/551
D546,184 S *	7/2007	Yelland	D9/502
D571,153 S *	6/2008	Lopez	D7/510

D593,412 S *	6/2009	Gonzalez	D9/516
D620,316 S *	7/2010	McKinney	D7/509
D632,964 S *	2/2011	Shah	D9/557
D646,173 S *	10/2011	Venkataraman	D9/542

(Continued)

FOREIGN PATENT DOCUMENTS

GB	6094166	*	7/2020
JP	D1617011	*	11/2018

(Continued)

OTHER PUBLICATIONS

EYQ [online] URL: <https://www.amazon.com/Leak-Proof-Removable-Ergonomic-Drinking-Workouts/dp/B08FBYH319?th=1> (site visited: Jan. 4, 2022) (Year: 2020).*

(Continued)

Primary Examiner — Jae Liang

Assistant Examiner — Tia Ruth-Renee Polidori

(57)

CLAIM

The ornamental design for a water bottle, as shown and described.

DESCRIPTION

FIG. 1 is a top, rear perspective view of a water bottle showing my new design;

FIG. 2 is a bottom, rear perspective view thereof;

FIG. 3 is a front elevation view thereof;

FIG. 4 is a rear elevation view thereof;

FIG. 5 is a left side elevation view thereof, the right side elevation view being a mirror image of the left side elevation view;

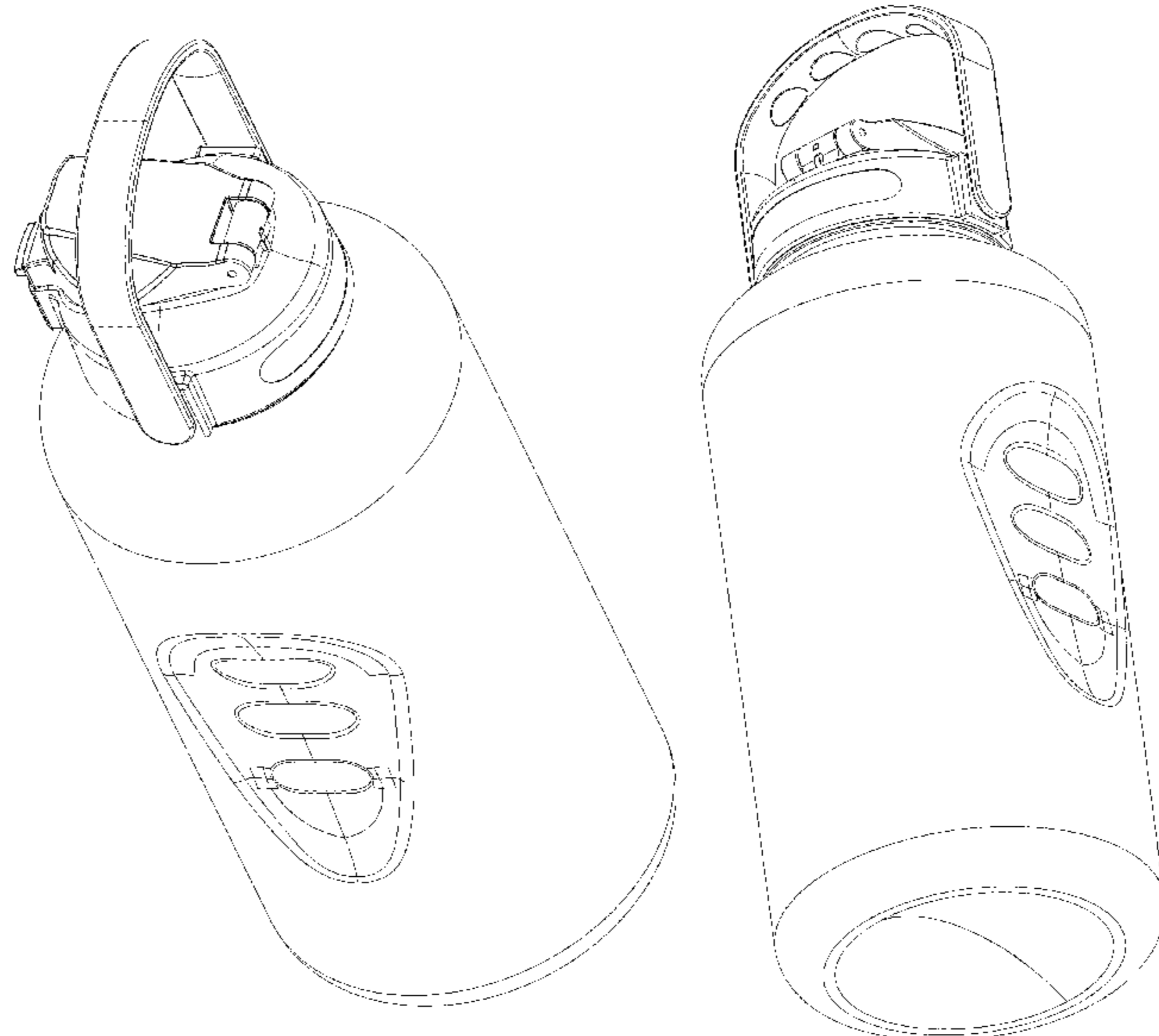
FIG. 6 is an enlarged top plan view thereof;

FIG. 7 is an enlarged bottom plan view thereof; and,

FIG. 8 is a top, front perspective view thereof with the bottle lid being detached.

The broken lines in the drawings illustrate portions of the water bottle that form no part of the claimed design.

1 Claim, 8 Drawing Sheets



(56)

References Cited

U.S. PATENT DOCUMENTS

8,182,683 B1 * 5/2012 Allen C02F 1/003
 210/244
 D661,194 S * 6/2012 Gardela D9/558
 D661,196 S * 6/2012 Heisner D9/551
 D663,620 S * 7/2012 Lepoitevin D9/557
 D679,142 S * 4/2013 Allen D9/531
 D689,331 S * 9/2013 Staton D9/530
 D703,540 S * 4/2014 Yourist D9/557
 D732,967 S * 6/2015 Heisner D9/500
 D739,674 S * 9/2015 Bergstrom D7/300.1
 D743,262 S * 11/2015 Pedmo D9/557
 D767,998 S * 10/2016 Peacock D9/540
 D770,288 S * 11/2016 Verdura D9/571
 D779,885 S * 2/2017 Crowder D9/557
 D786,018 S * 5/2017 Willows D7/509
 D793,237 S * 8/2017 Vitale Rotta D9/520
 D795,646 S * 8/2017 Sorensen D7/511
 D795,700 S * 8/2017 Guerin D9/530
 D805,853 S * 12/2017 Waskow D7/510
 D860,800 S * 9/2019 Hao D9/551
 D879,555 S * 3/2020 Wang D7/532
 D892,556 S * 8/2020 Wang D7/510
 D892,558 S * 8/2020 Wang D7/529
 D892,560 S * 8/2020 Wang D7/529
 D897,775 S * 10/2020 Wang D7/529
 D897,776 S * 10/2020 Pan D7/529
 D899,187 S * 10/2020 Wang D7/529

D899,189 S * 10/2020 Pan D7/529
 D909,876 S * 2/2021 Sestak D9/539
 D912,517 S * 3/2021 Ríos D9/530
 D918,041 S 5/2021 Huaping
 D918,660 S 5/2021 Cui
 D929,183 S * 8/2021 Wahl D7/511
 D929,184 S * 8/2021 Wahl D7/511
 D930,438 S * 9/2021 Zhang D7/511
 D942,212 S * 2/2022 Zhou D7/392.1
 D942,808 S * 2/2022 Wang D7/392.1
 D947,597 S * 4/2022 Shi D7/392.1
 D951,025 S * 5/2022 Zheng D7/510
 2017/0305640 A1 * 10/2017 Thompson B65D 77/0493

FOREIGN PATENT DOCUMENTS

JP D1677585 * 1/2021
 KR 301030548.0000 * 11/2019
 KR 301030549.0000 * 11/2019

OTHER PUBLICATIONS

GOSWAG [online] URL: <https://www.amazon.com/dp/B08DTSX88X>
 (site visited: Jan. 4, 2022) (Year: 2020).*
 VenturePal [online] URL: <https://www.amazon.com/dp/B08794H7B5> (site visited: Jan. 4, 2022) (Year: 2020).*
 Healthi [online] URL: <https://shop.healthiapp.com/products/64z-water-bottle> (site visited: May 15, 2022) (Year: 2022).*

* cited by examiner

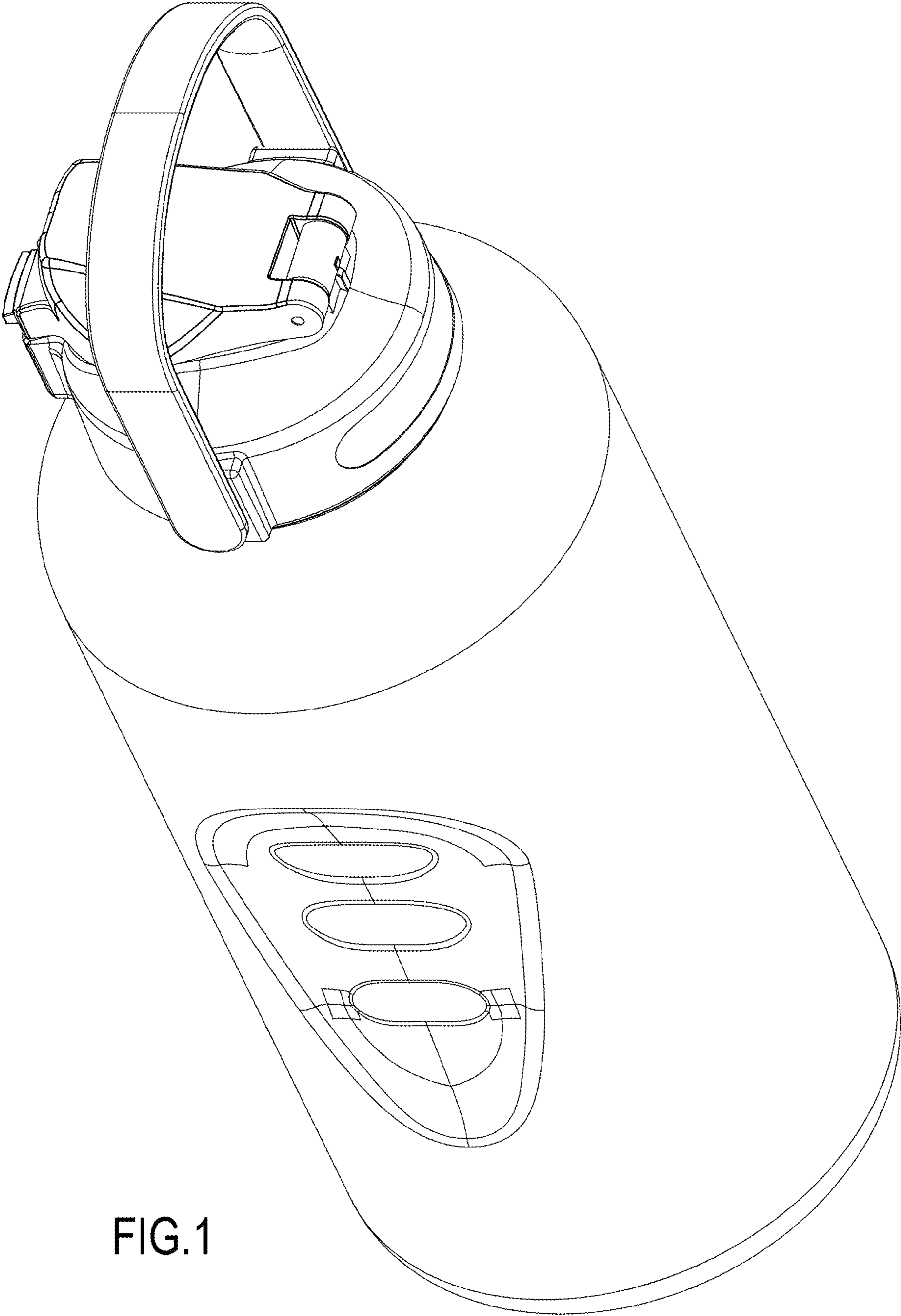


FIG.1

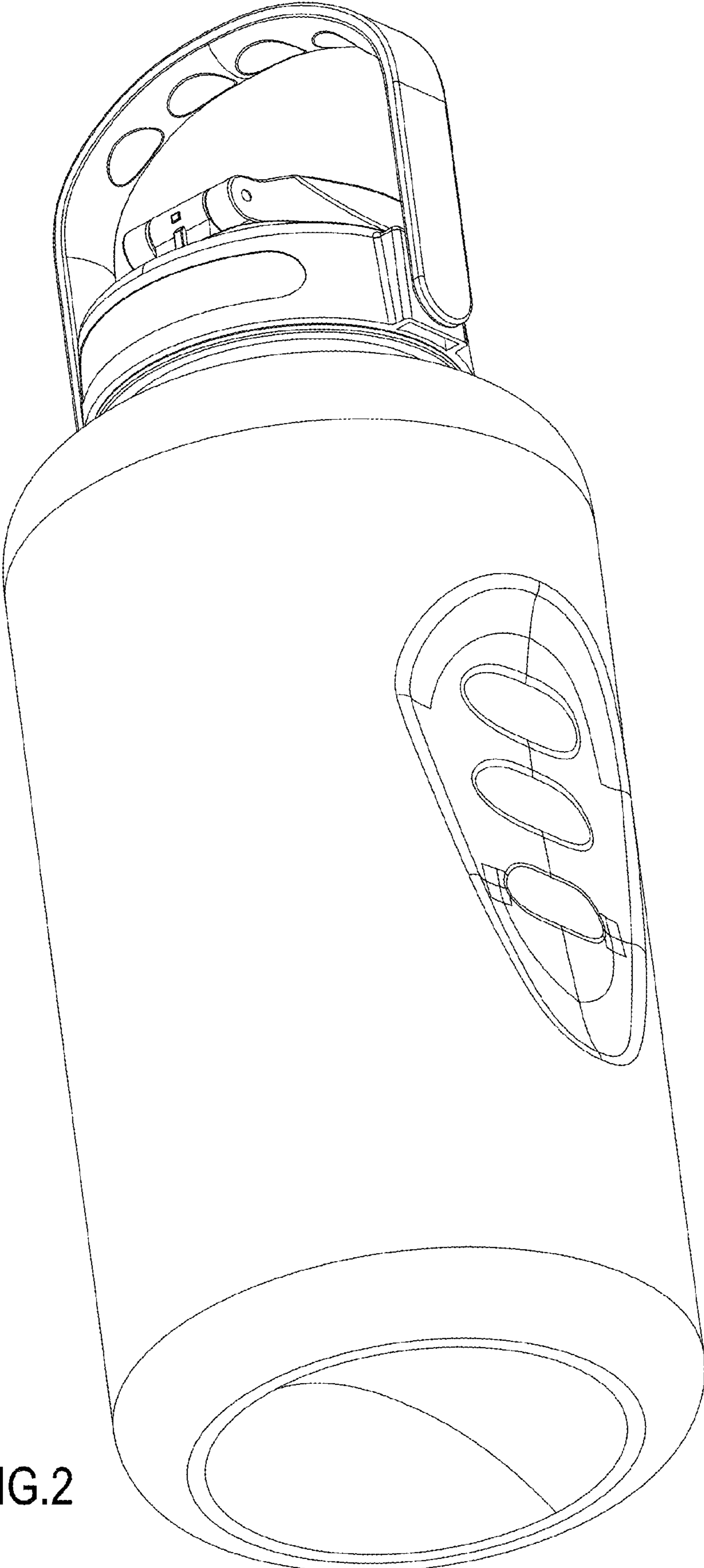


FIG.2

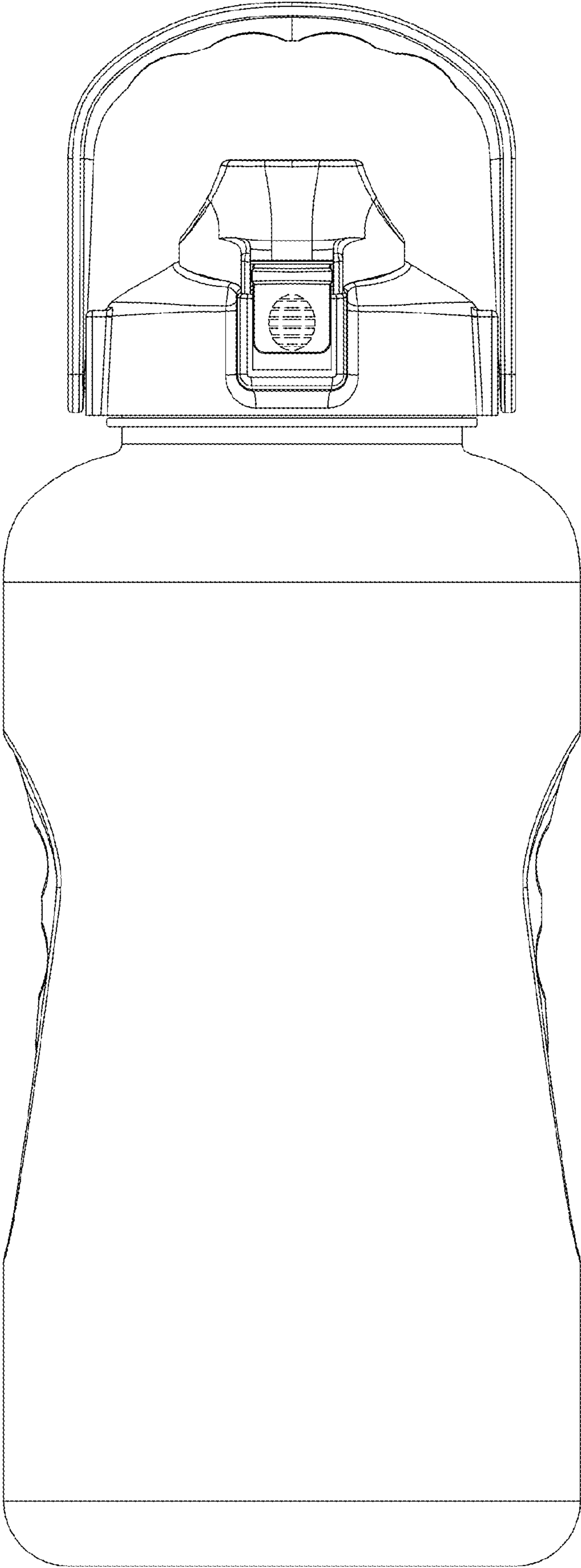


FIG.3

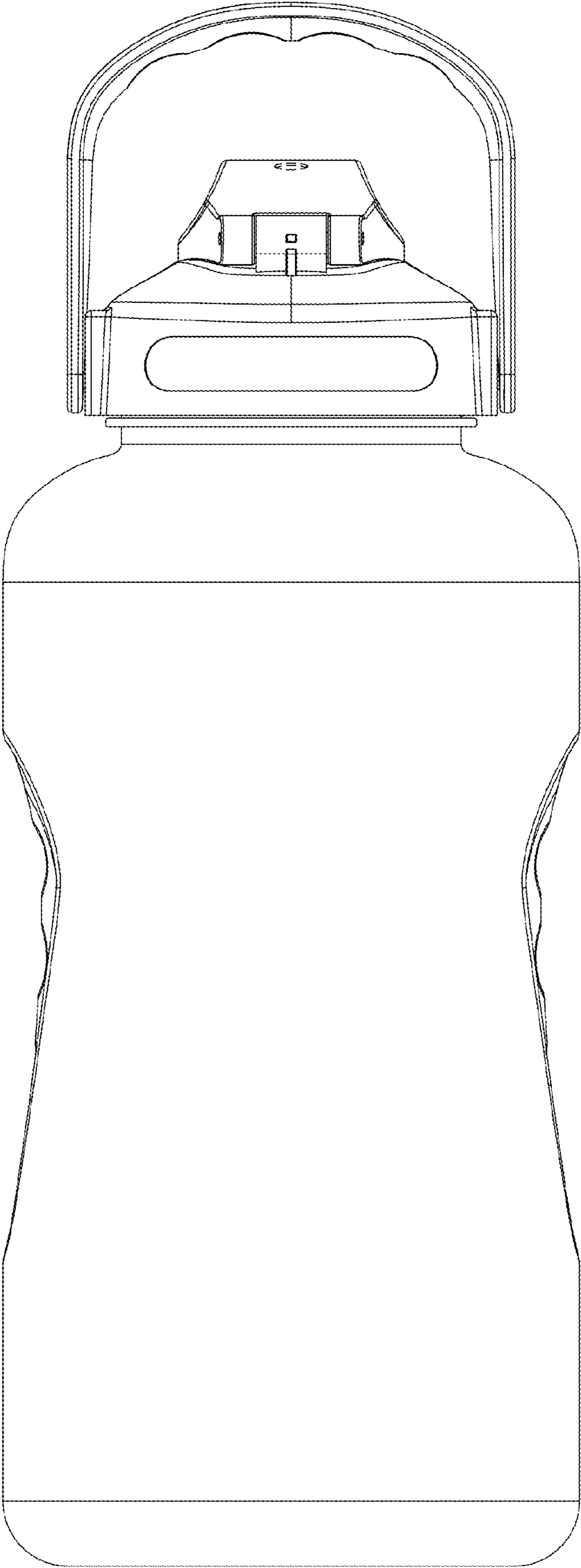


FIG.4

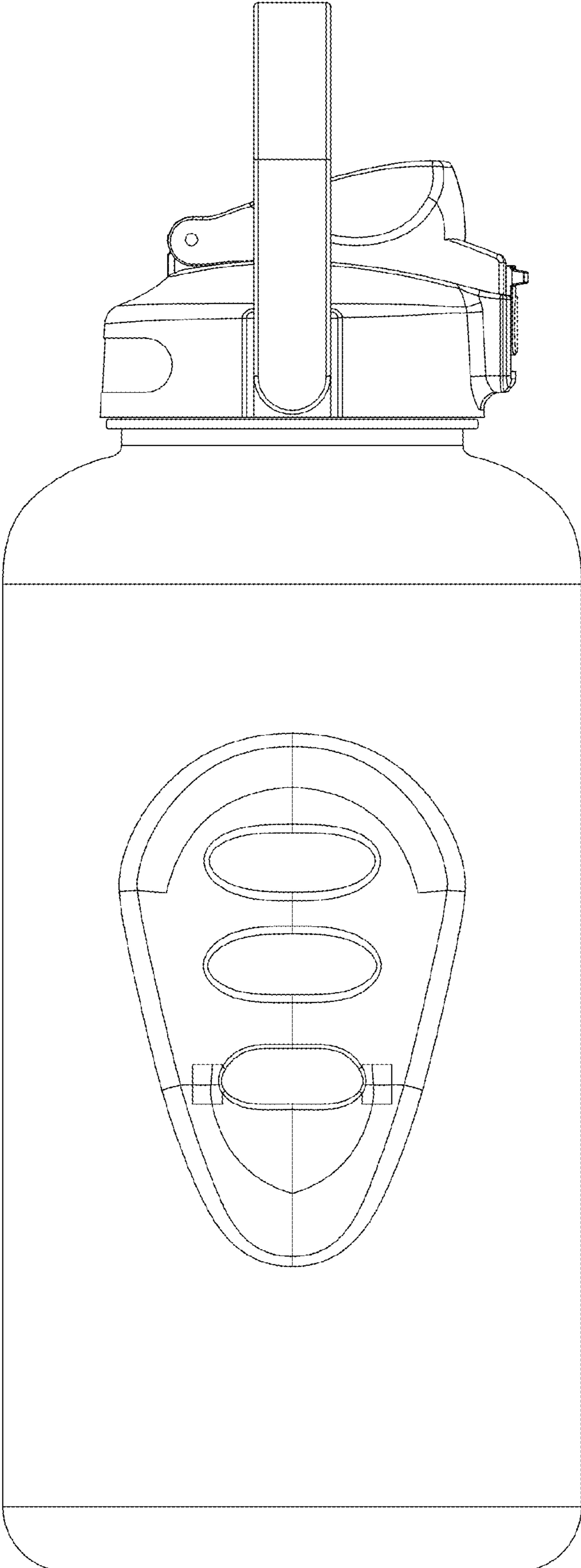


FIG.5

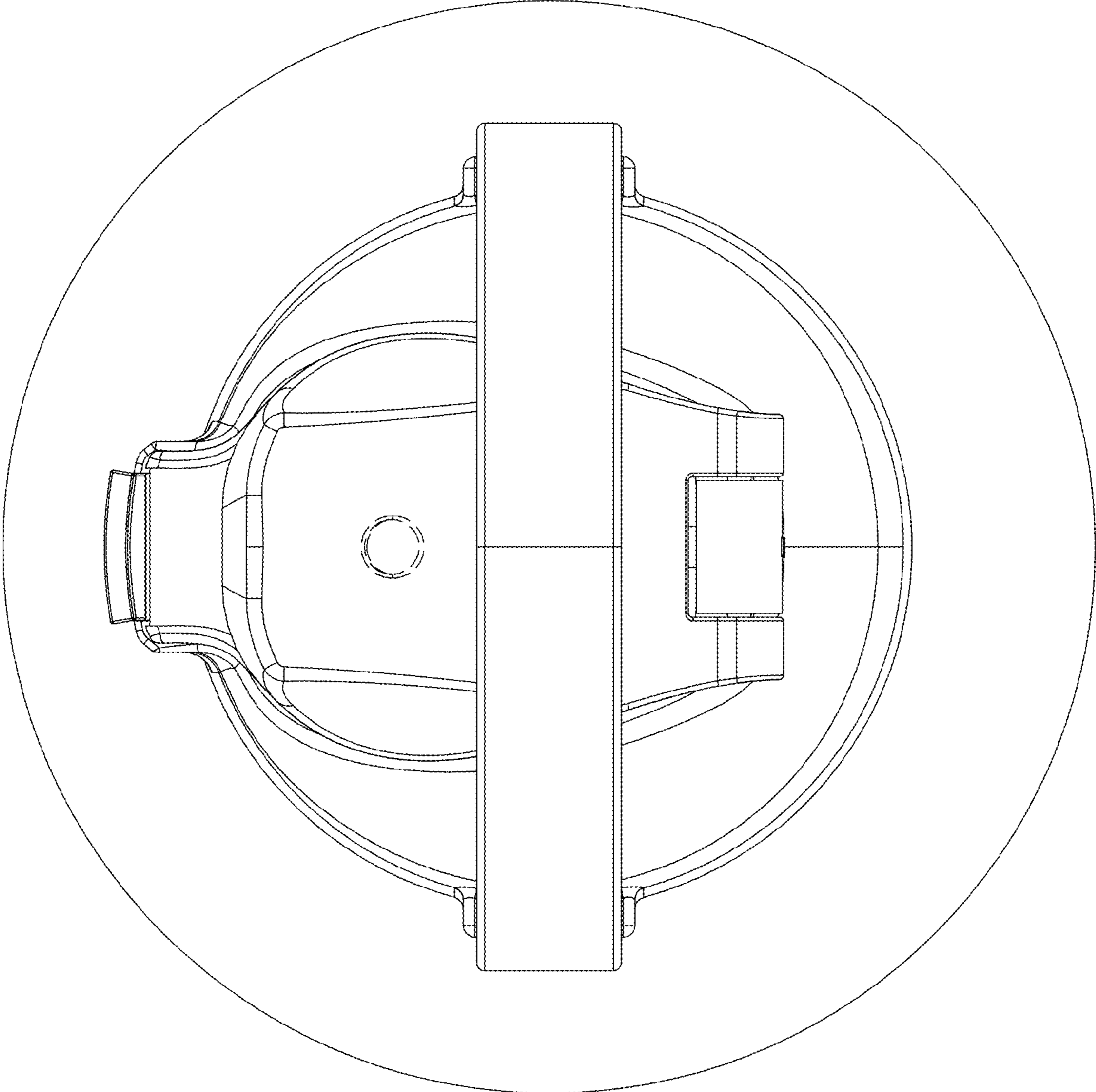


FIG.6

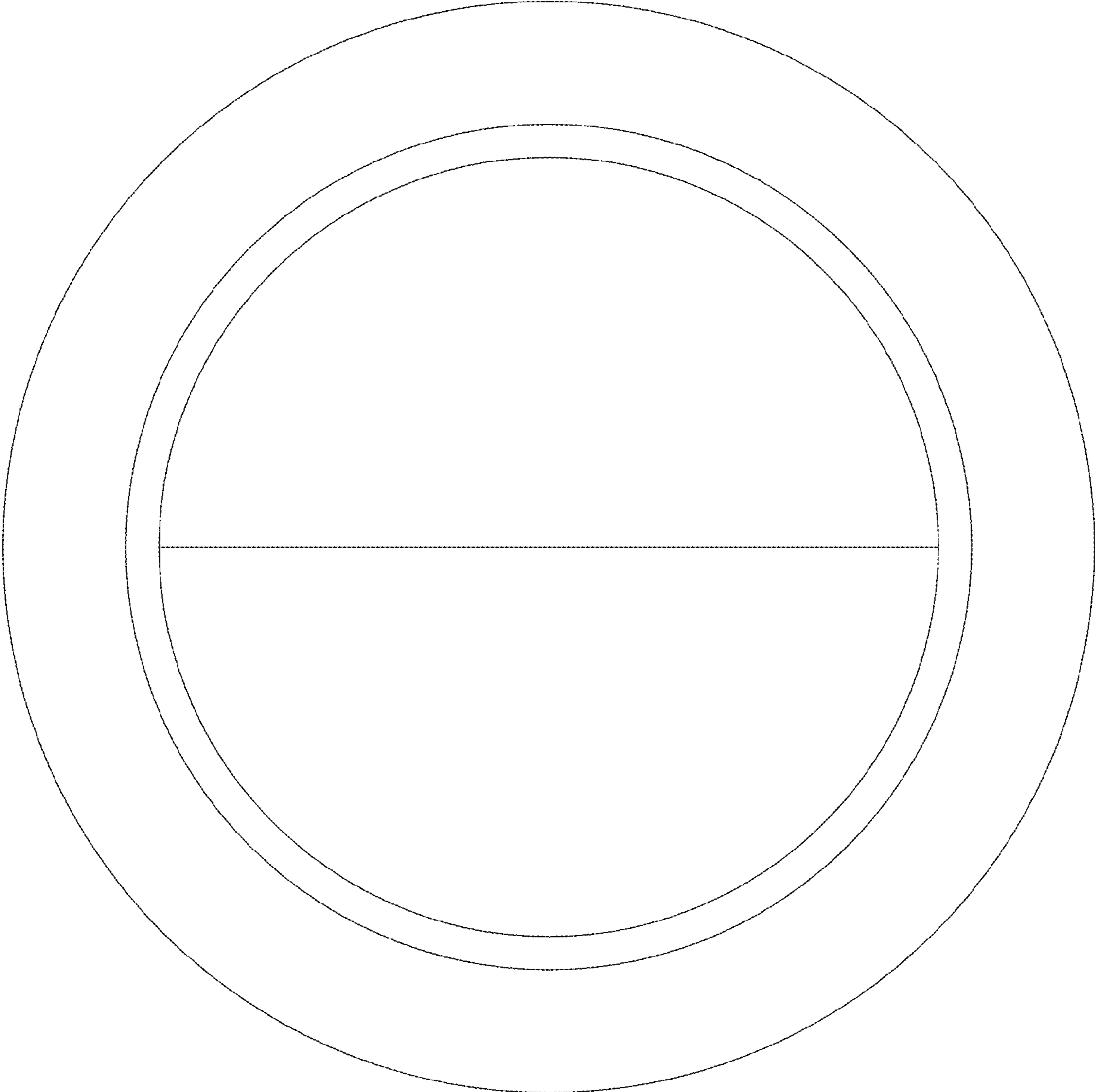


FIG.7

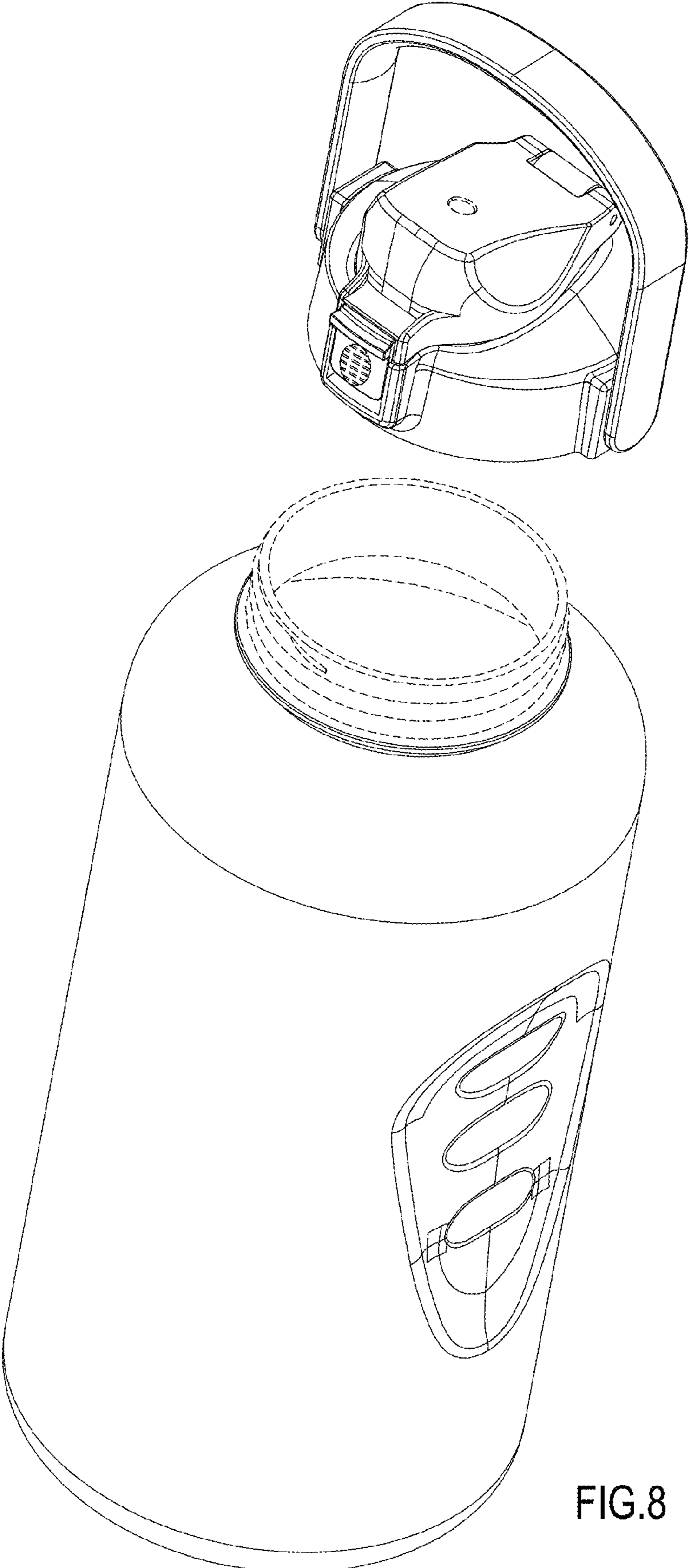


FIG. 8