



US00D957882S

(12) **United States Design Patent**
Yueh

(10) **Patent No.:** **US D957,882 S**
(45) **Date of Patent:** **** Jul. 19, 2022**

(54) **ICE CUP WITH DETACHABLE BASE**

(71) Applicants: **Oivita Creative Co., Ltd.**, Taipei (TW); **Chao-Yu Yueh**, Taipei (TW)

(72) Inventor: **Chao-Yu Yueh**, Taipei (TW)

(73) Assignees: **Chao-Yu Yueh**, Taipei (TW); **OIVITA CREATIVE CO., LTD.**, Taipei (TW)

(**) Term: **15 Years**

(21) Appl. No.: **29/711,442**

(22) Filed: **Oct. 31, 2019**

(30) **Foreign Application Priority Data**

May 3, 2019 (TW) 108302553

(51) **LOC (13) Cl.** **07-01**

(52) **U.S. Cl.**
USPC **D7/507; D7/523**

(58) **Field of Classification Search**
USPC D7/507, 509, 510, 511, 523, 532, 533, D7/536, 392.1, 396.2, 387, 608; D9/435, D9/449, 450, 436

CPC A47G 19/22; A47G 19/2288; A47G 19/2205; A47G 19/2272; A45F 3/20
See application file for complete search history.

(56) **References Cited**

U.S. PATENT DOCUMENTS

- 5,984,156 A * 11/1999 Bridges A47G 19/2261 224/555
- D649,836 S * 12/2011 Dooley D7/536
- D797,510 S * 9/2017 Ke D7/532
- D808,218 S * 1/2018 Seiders D7/510
- D833,817 S * 11/2018 Sletten D7/532
- D850,205 S * 6/2019 Hotell D7/532

- D872,537 S * 1/2020 Guccione D7/532
- 10,669,081 B2 * 6/2020 Sullivan B65D 41/0435
- D899,857 S * 10/2020 Jacobsen D7/511
- 10,835,067 B2 * 11/2020 Rane B65D 81/3881
- 11,167,905 B2 * 11/2021 Mavrianos A47G 19/2205
- D943,354 S * 2/2022 Powell D7/532
- 2002/0074334 A1 * 6/2002 Karp A47G 19/2205 220/23.86
- 2017/0273484 A1 * 9/2017 Spivey B65D 81/3872
- 2019/0216243 A1 * 7/2019 Honig F21V 23/0485

OTHER PUBLICATIONS

<https://www.amazon.com/Stainless-Vacuum-Insulated-Tumbler-Double/dp/B01M0AJMXV> Sep. 29, 2016 (Year: 2016).*
Zulu Ace Vacuum Insulated Stainless Steel Water Bottle with Removable Base https://www.amazon.com/dp/B07PP8Q6GC/ref=cm_sw_em_r_mt_dp_M5QSKRCZCR7ZJB3RCKNC4/6/019 (Year: 2019).*

* cited by examiner

Primary Examiner — Jae Liang
(74) *Attorney, Agent, or Firm* — McClure, Qualey & Rodack, LLP

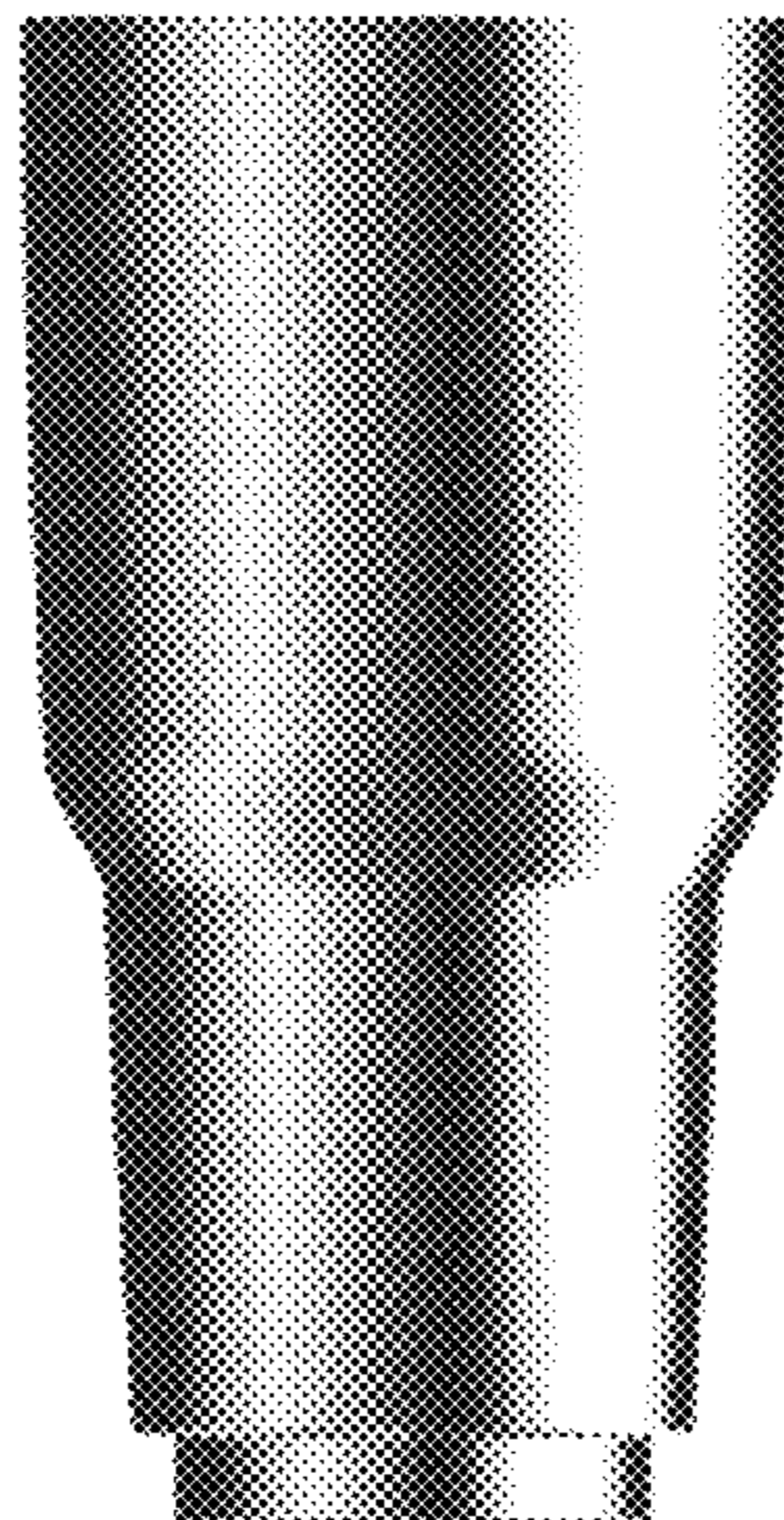
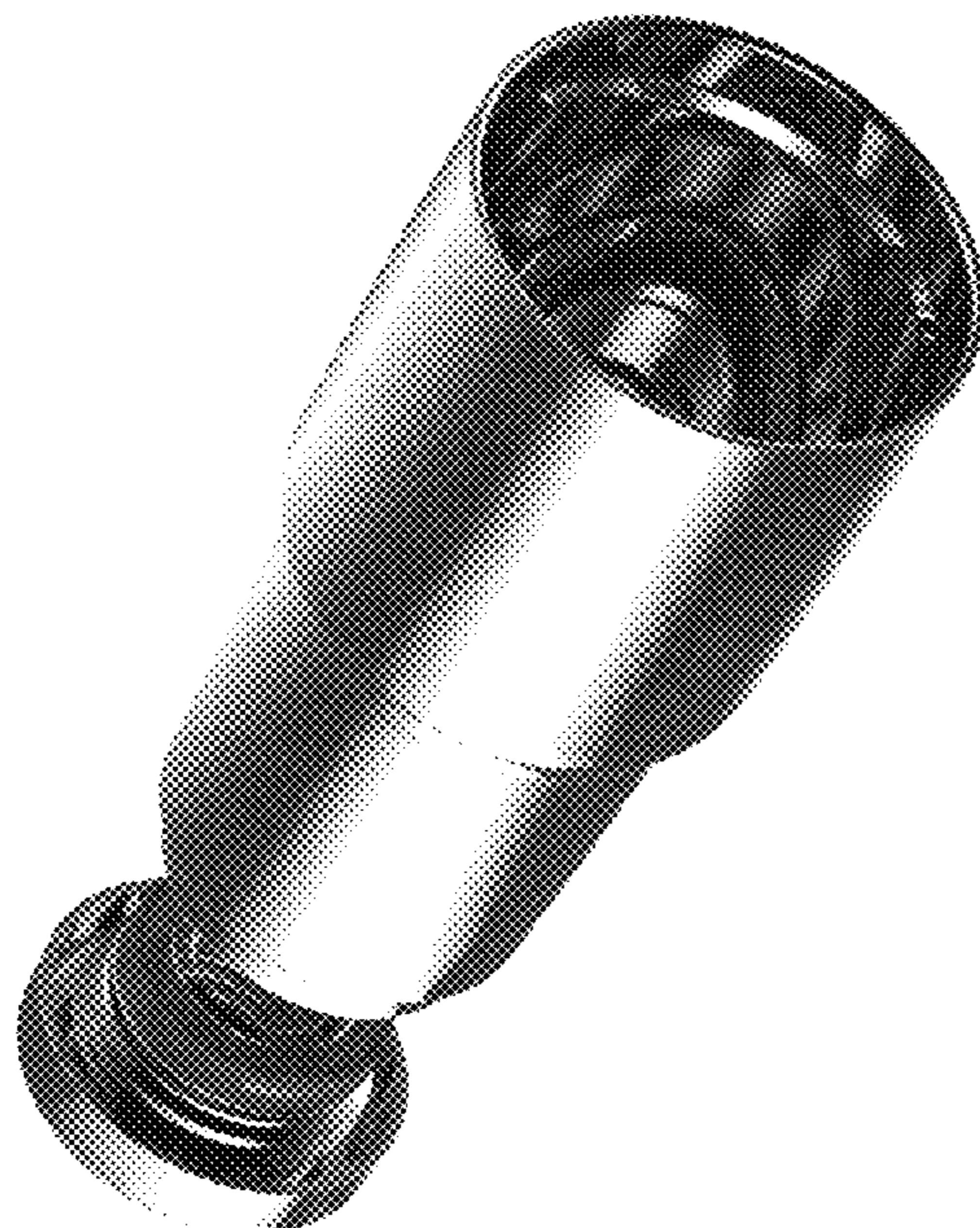
(57) **CLAIM**

The ornamental design for an ice cup with detachable base, as shown and described.

DESCRIPTION

FIG. 1 is a perspective view of an ice cup with detachable base showing our new design.
FIG. 2 is another perspective view thereof;
FIG. 3 is a front view thereof;
FIG. 4 is a right side view thereof;
FIG. 5 is a top plan view thereof; and,
FIG. 6 is a bottom plan view thereof.

1 Claim, 5 Drawing Sheets



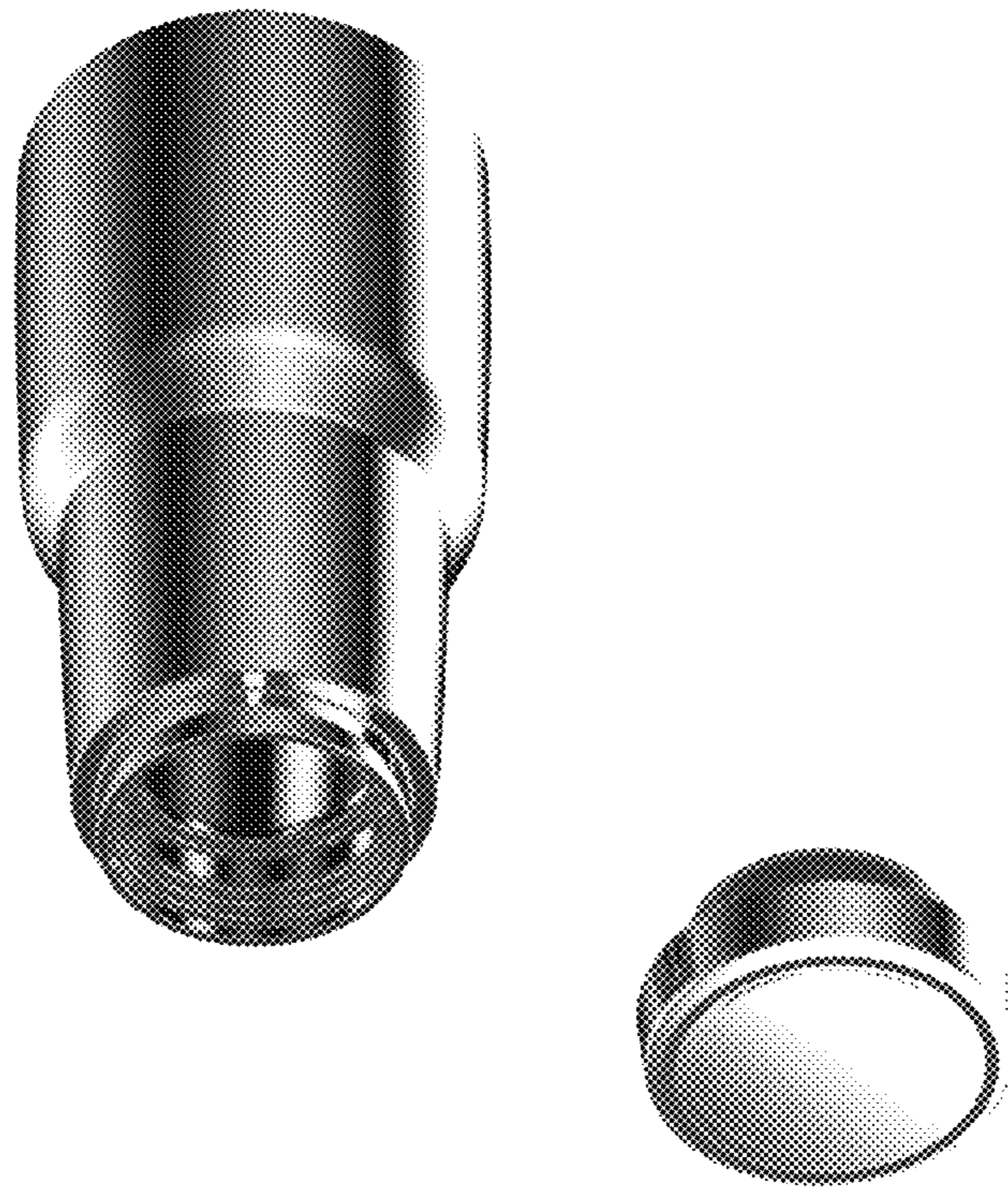


FIG. 1



FIG. 2

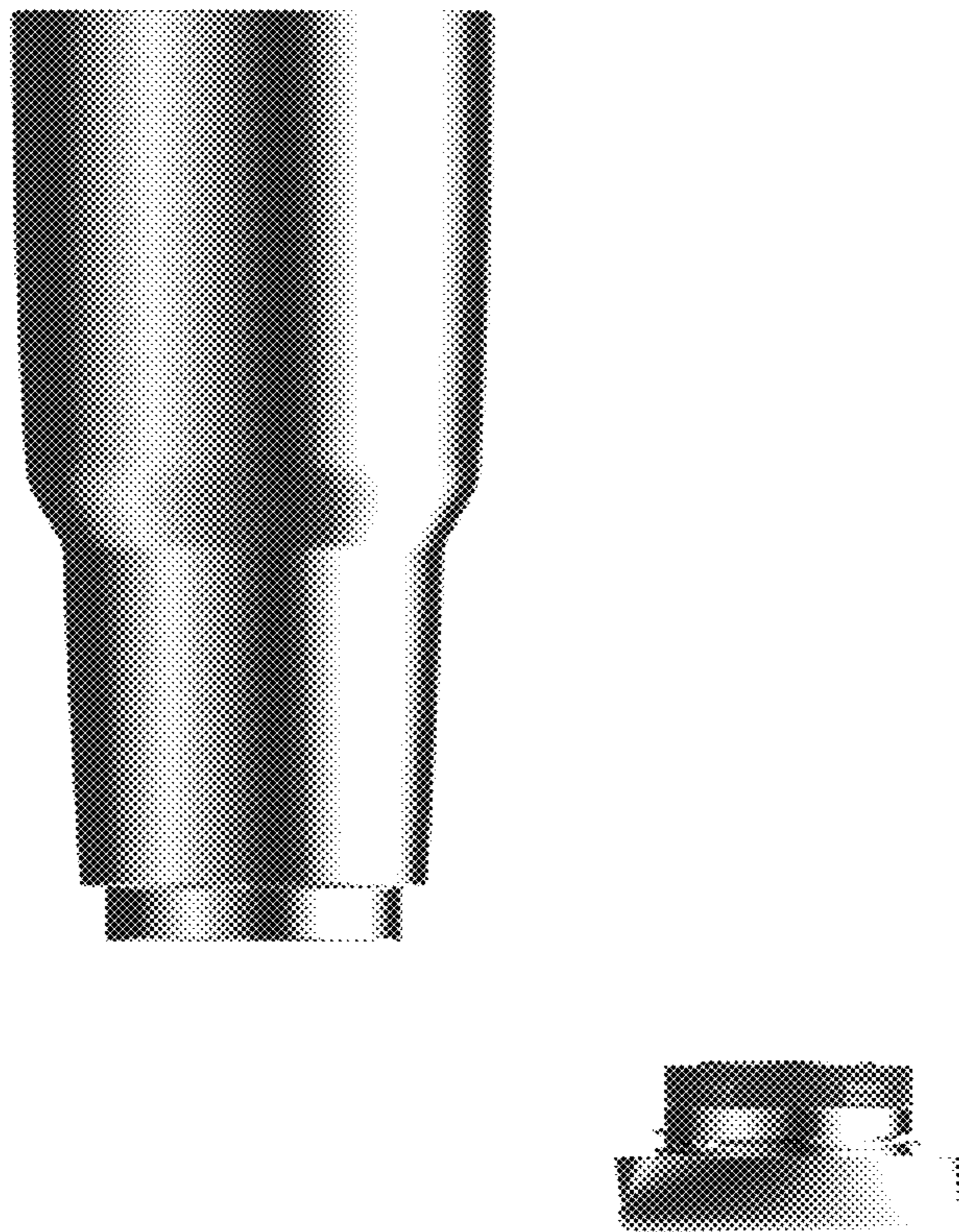


FIG. 3

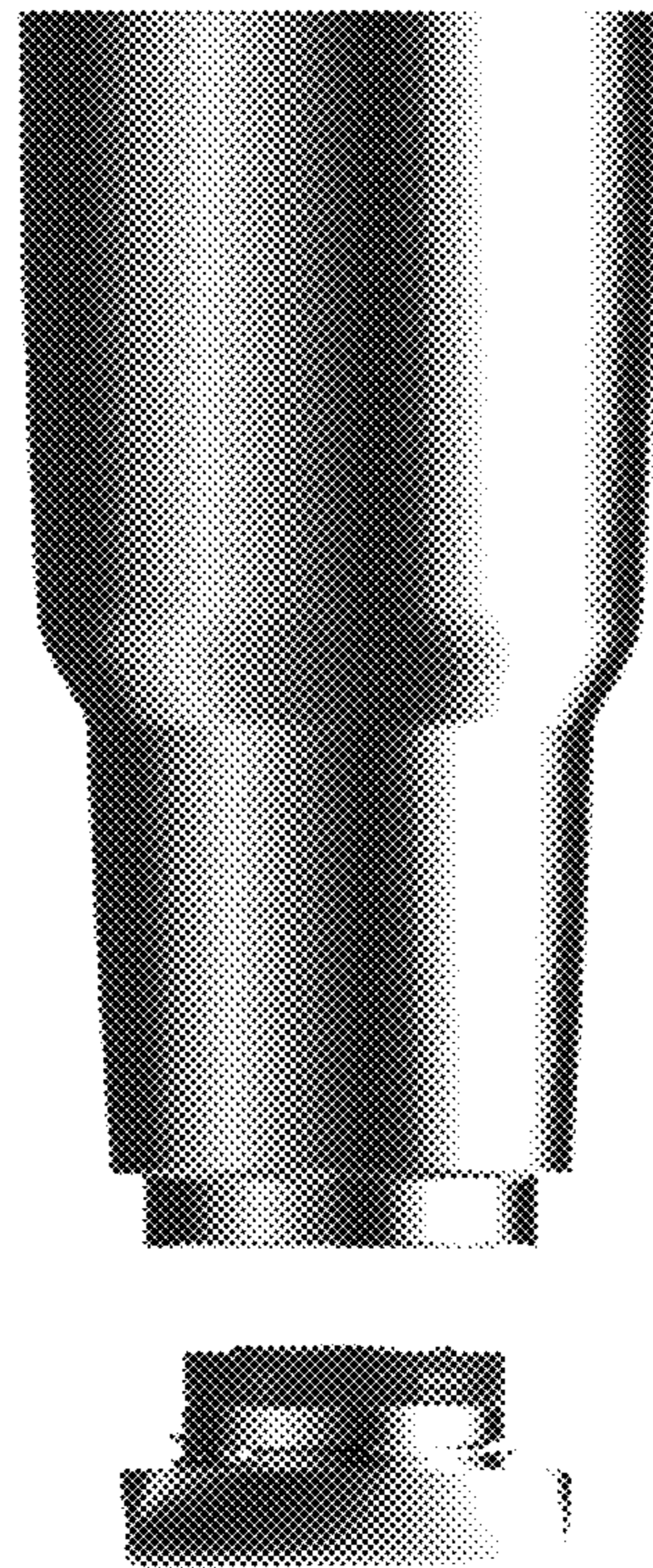


FIG. 4

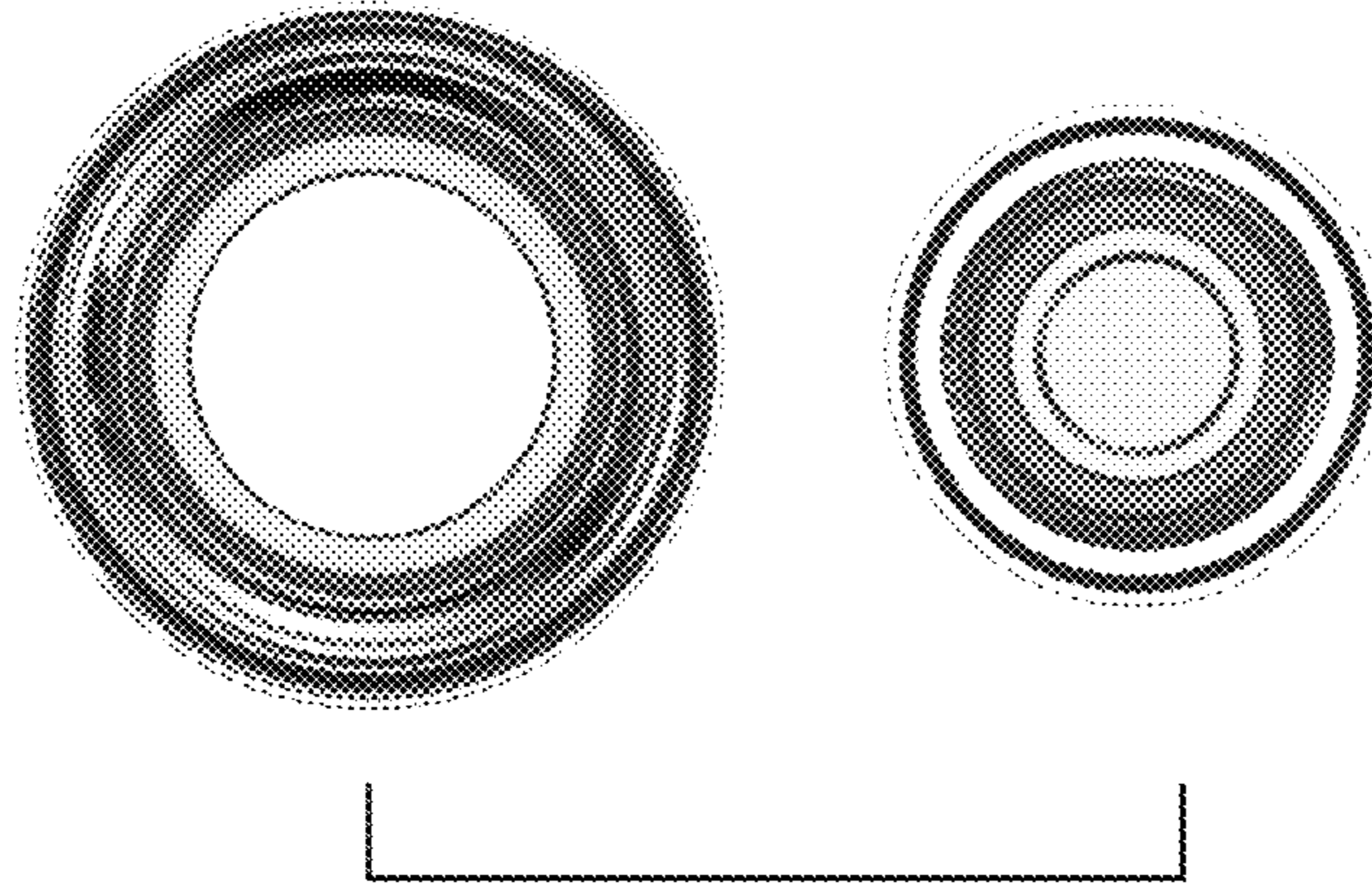


FIG. 5

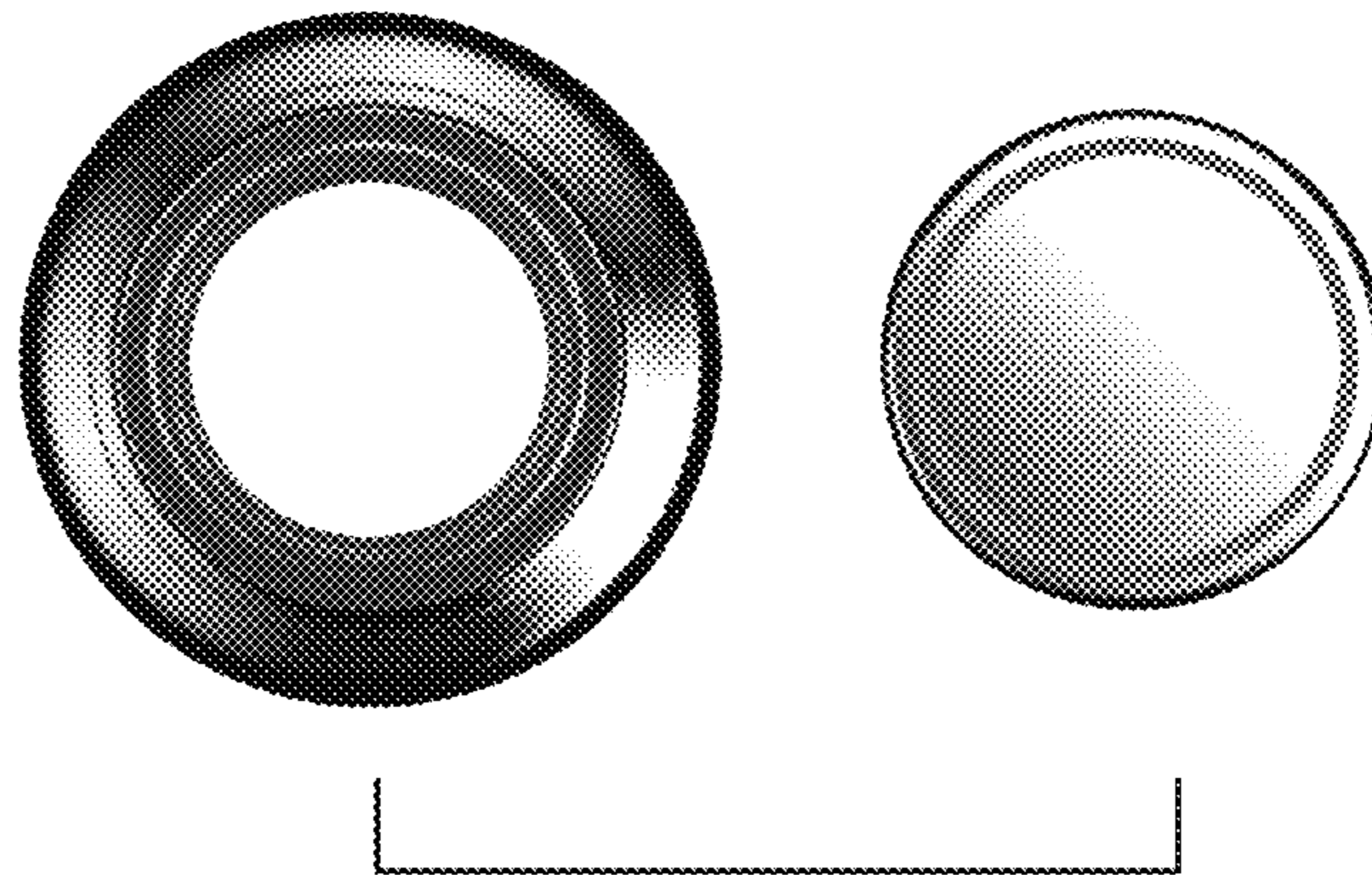


FIG. 6