



US00D957879S

(12) **United States Design Patent**
Farrer

(10) **Patent No.:** **US D957,879 S**
(45) **Date of Patent:** **** Jul. 19, 2022**

- (54) **COOKTOP FOR PORTABLE APPARATUS**
- (71) Applicant: **TKIP HOLDINGS, LLC**, Vancouver, WA (US)
- (72) Inventor: **Trent Farrer**, Vancouver, WA (US)
- (73) Assignee: **TKIP HOLDINGS, LLC**, Vancouver, WA (US)
- (**) Term: **15 Years**
- (21) Appl. No.: **29/765,740**
- (22) Filed: **Jan. 11, 2021**
- (51) **LOC (13) Cl.** **07-02**
- (52) **U.S. Cl.**
USPC **D7/409**
- (58) **Field of Classification Search**
USPC D7/323, 332, 335-337, 354-355, D7/359-364, 387-388, 402, 407-409
CPC A21B 2/00; A21B 3/00; A21B 3/13; A21B 3/15; A21B 5/00; A21B 5/02; A23N 12/06; A23N 12/08; A23N 12/10; A47J 27/004; A47J 33/00; A47J 37/00; A47J 37/04; A47J 37/041; A47J 37/042; A47J 37/06; A47J 37/0623; A47J 37/0641; A47J 37/0664; A47J 37/0688; A47J 37/0694; A47J 37/07; A47J 37/0704; A47J 37/10; A47J 47/20; A47J 2037/00; A47J 2037/06; A47J 2037/0611; A47J 2037/07; A47J 2037/0786; A47J 2037/0795; F24C 15/10; F24C 15/12; F24C 15/14; F24C 15/16; F24C 15/18; F24C 15/164; H05B 3/68
See application file for complete search history.

- D382,765 S * 8/1997 Kellermann D7/332
- 5,970,858 A * 10/1999 Boehm A47J 37/0623
99/419
- 6,082,249 A * 7/2000 Su H05B 3/68
99/425
- 6,201,217 B1 * 3/2001 Moon A47J 37/0641
219/400
- D442,822 S * 5/2001 Lin D7/337
- D772,648 S * 11/2016 Palermo D7/367
- D817,697 S * 5/2018 Zhao D7/359
- D934,027 S * 10/2021 Gill D7/409
- 2005/0039612 A1 * 2/2005 Denny A47J 37/0664
99/450
- 2010/0307347 A1 * 12/2010 Menashes A47J 27/004
99/340

(Continued)

OTHER PUBLICATIONS

ARC USA BQ2026, Easy Carry Stainless Steel Camping Stove. Date First Available on Amazon.com Feb. 25, 2020. <https://www.amazon.com/dp/B0822L2NRC/ref> (Year: 2020).*

(Continued)

Primary Examiner — Ricky Pham
(74) *Attorney, Agent, or Firm* — McCoy Russell LLP

(57) **CLAIM**

I claim the ornamental design for a cooktop for portable apparatus, as shown and described.

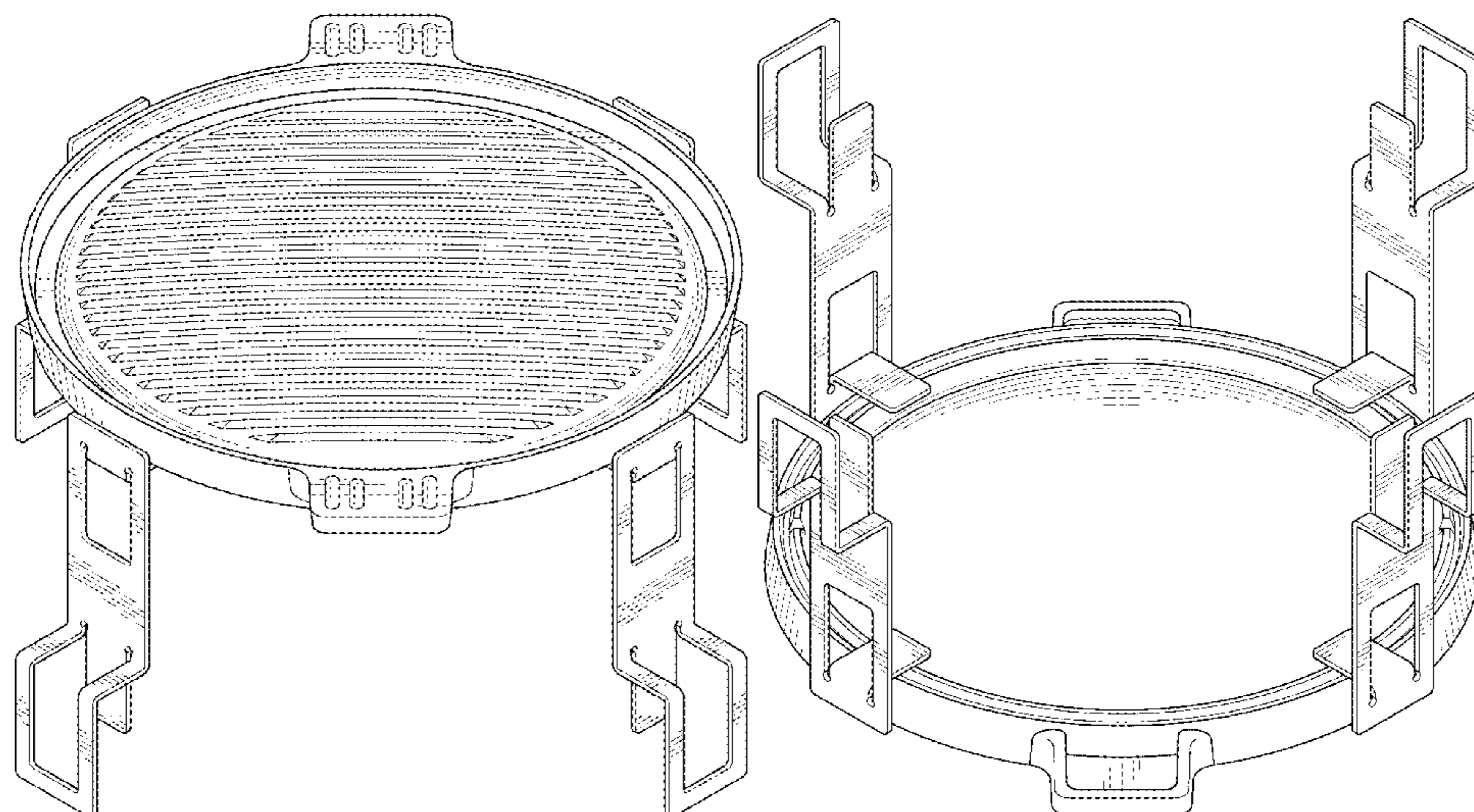
DESCRIPTION

FIG. 1 is a top perspective view of my design.
FIG. 2 is bottom perspective view of my design.
FIG. 3 is a top view of my design.
FIG. 4 is a left side elevation view of my design.
FIG. 5 is a right side elevation view of my design.
FIG. 6 is a front elevation view of my design.
FIG. 7 is a rear elevation view of my design; and,
FIG. 8 is a bottom view of my design.

1 Claim, 6 Drawing Sheets

(56) **References Cited**
U.S. PATENT DOCUMENTS

- 2,055,972 A * 9/1936 Fritsche A47J 37/0623
219/460.1
- D229,277 S * 11/1973 Chan D7/337



(56)

References Cited

U.S. PATENT DOCUMENTS

2013/0032130 A1* 2/2013 Jacques A47J 33/00
126/30

OTHER PUBLICATIONS

Only fire Santa-maria Style Grill Rotisserie System. Date First
Available on Amazon.com Jul. 26, 2019. [https://www.amazon.com/
dp/B07VRYCPFT/ref](https://www.amazon.com/dp/B07VRYCPFT/ref) (Year: 2019).*

* cited by examiner

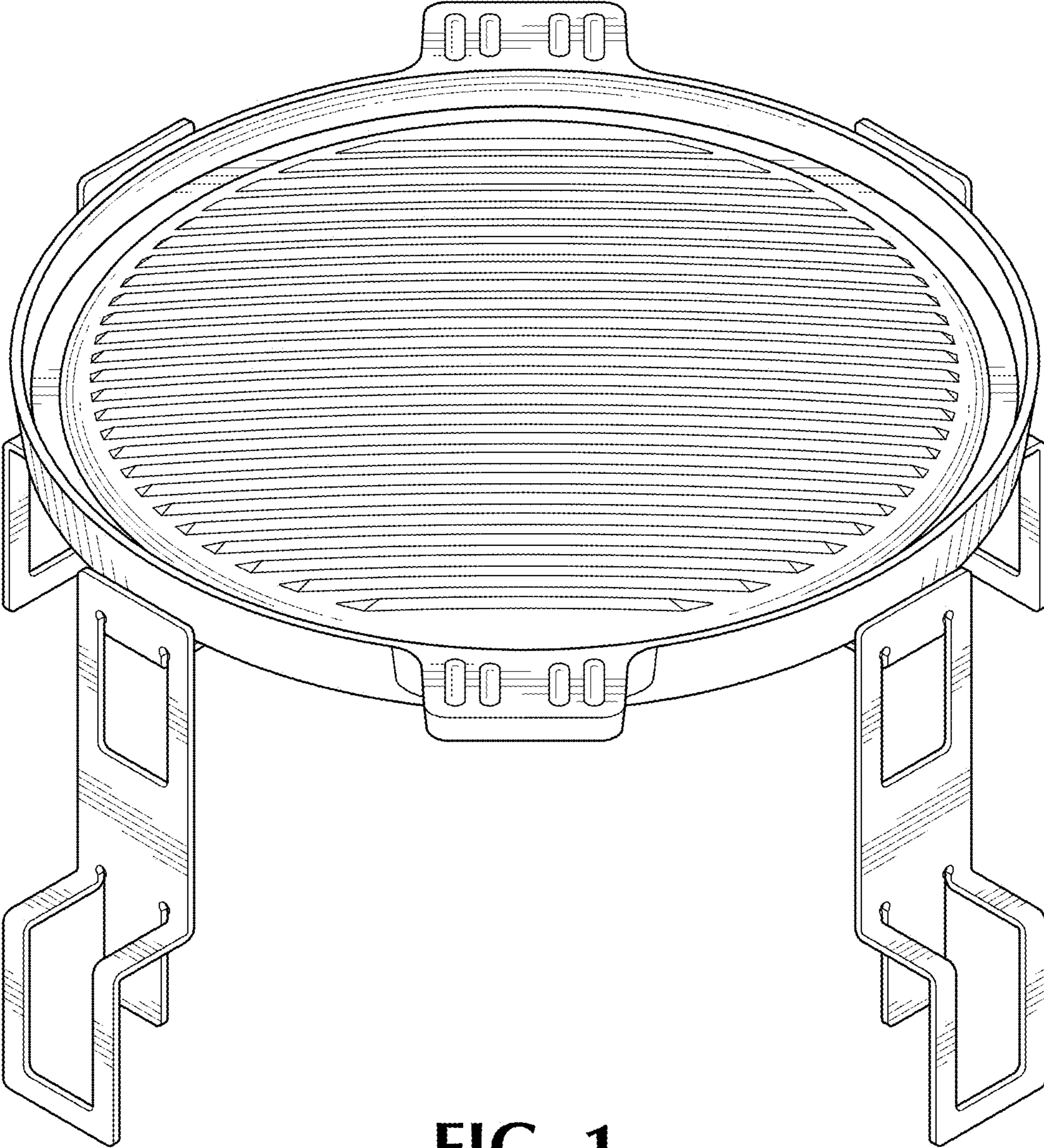


FIG. 1

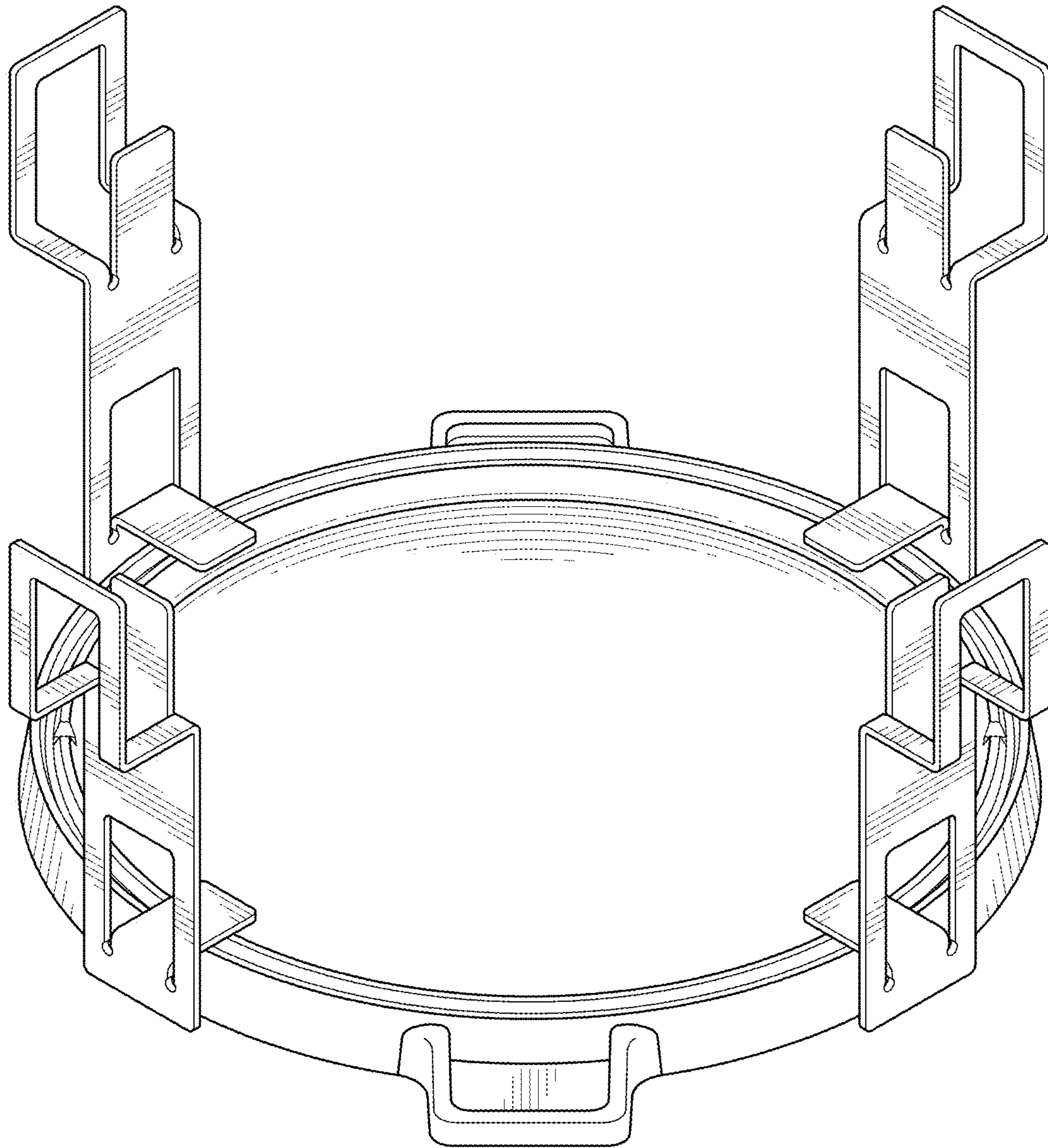


FIG. 2

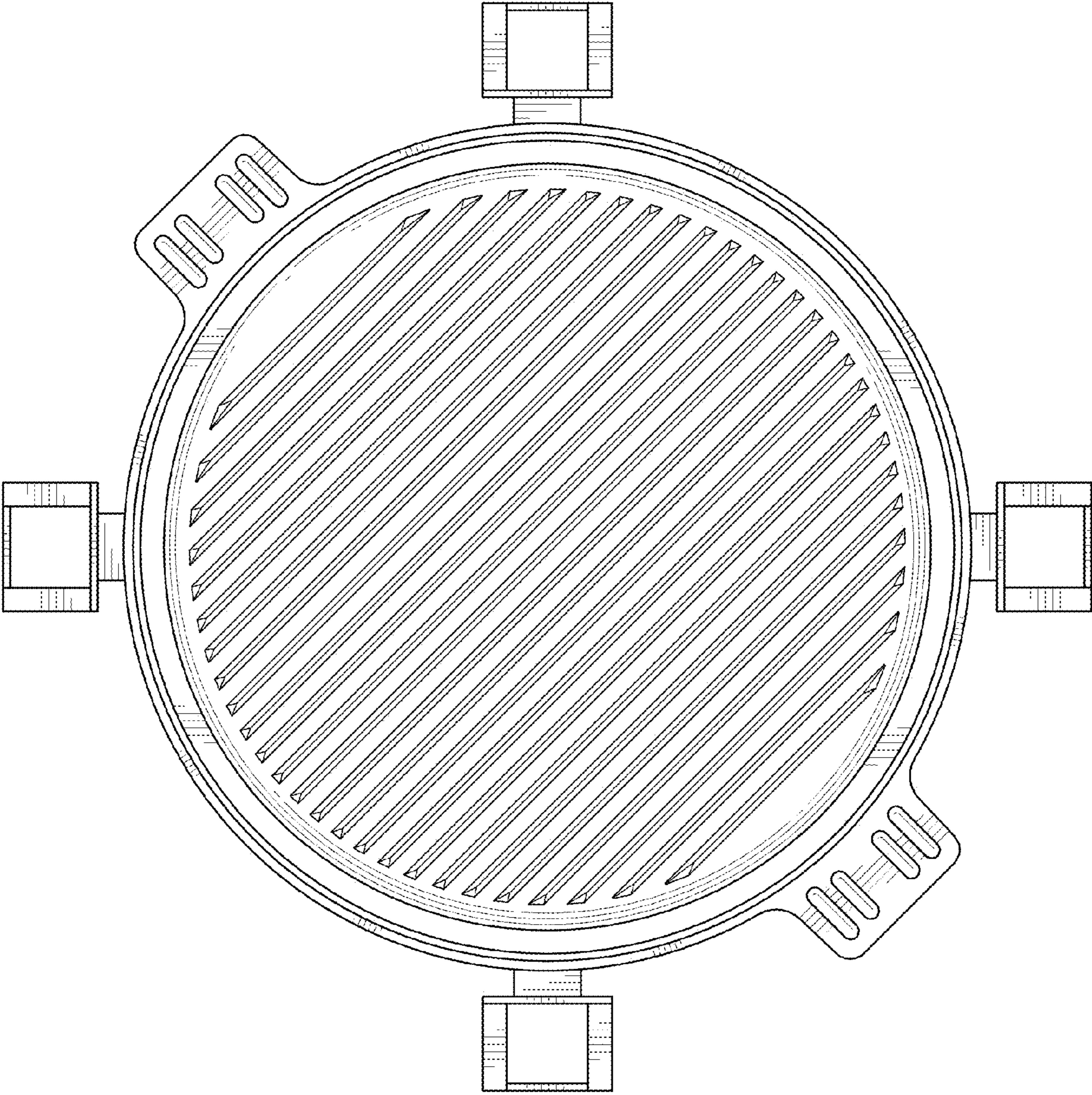


FIG. 3

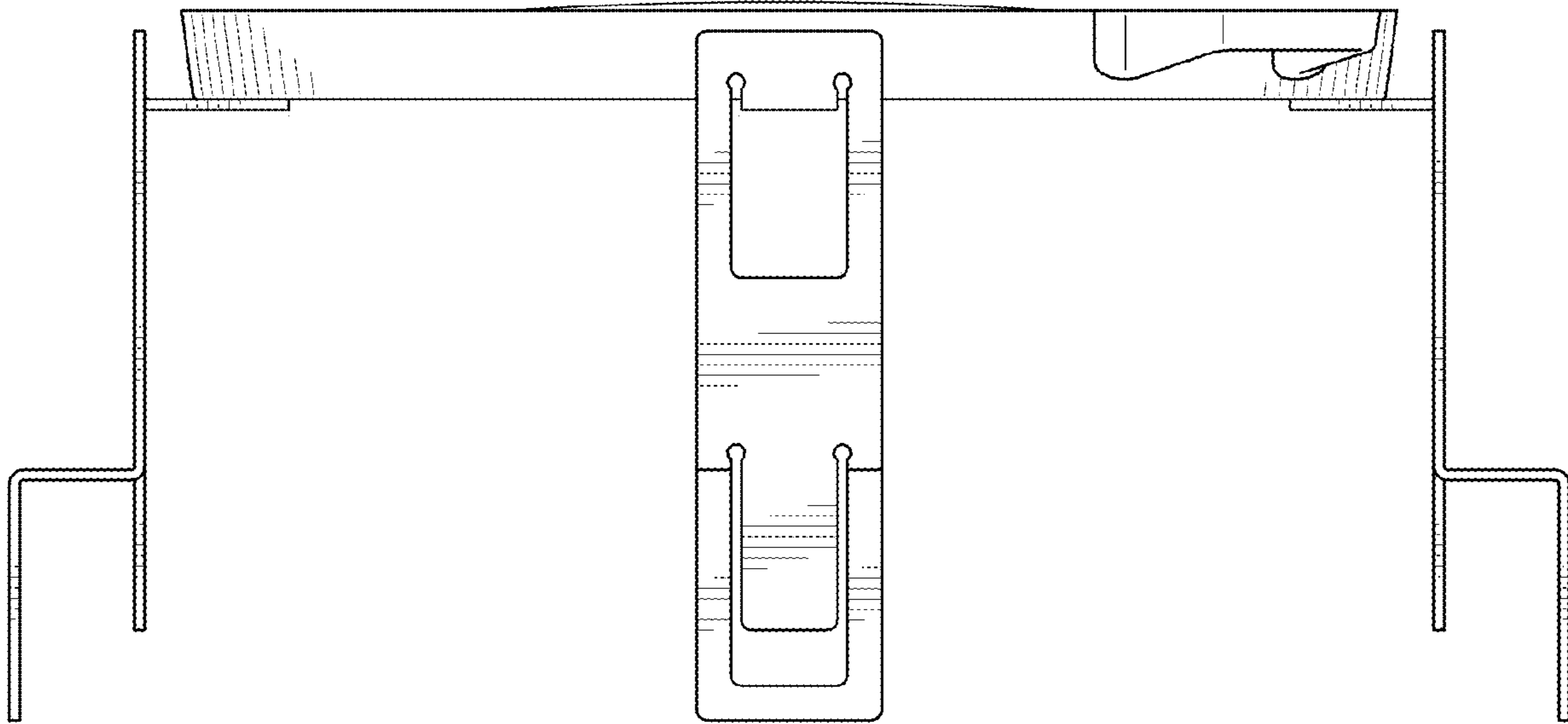


FIG. 4

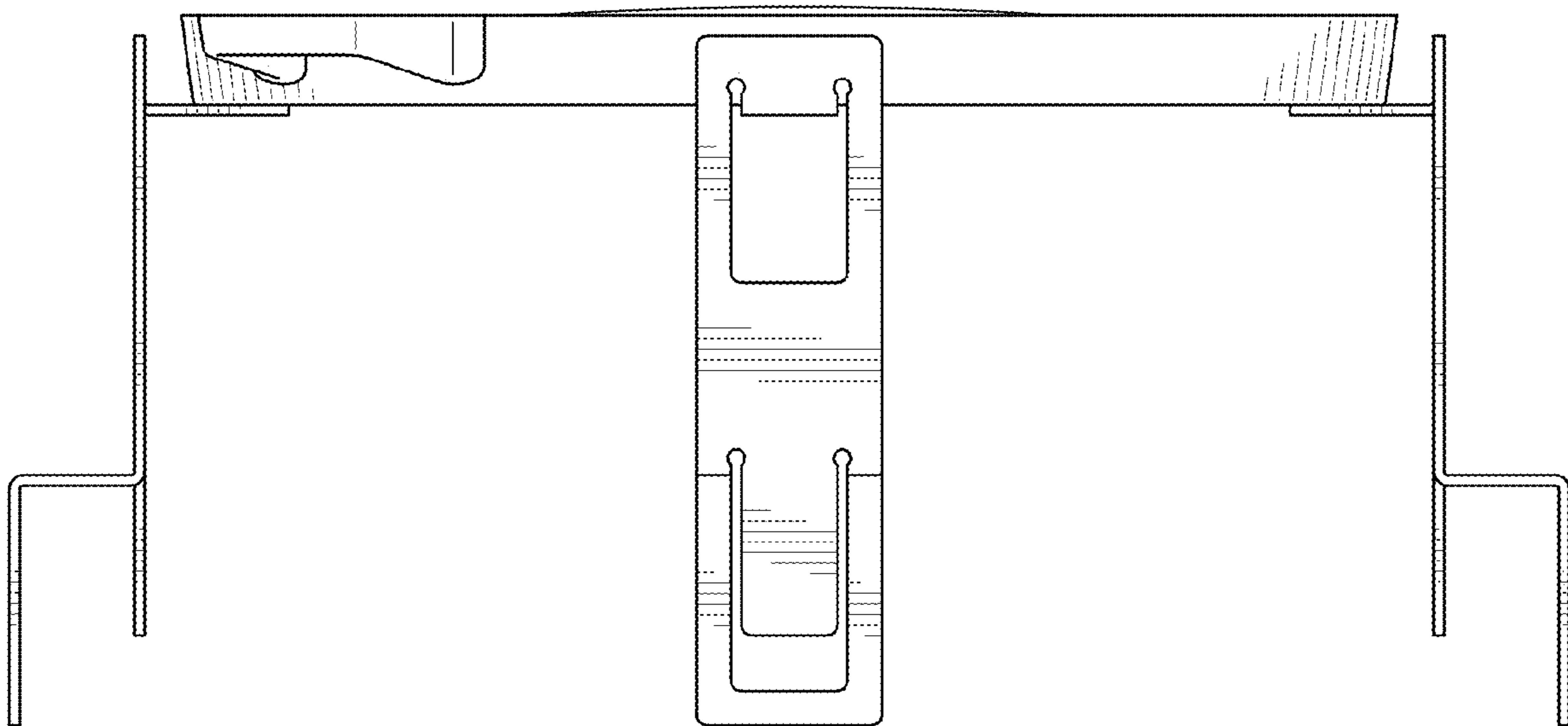


FIG. 5

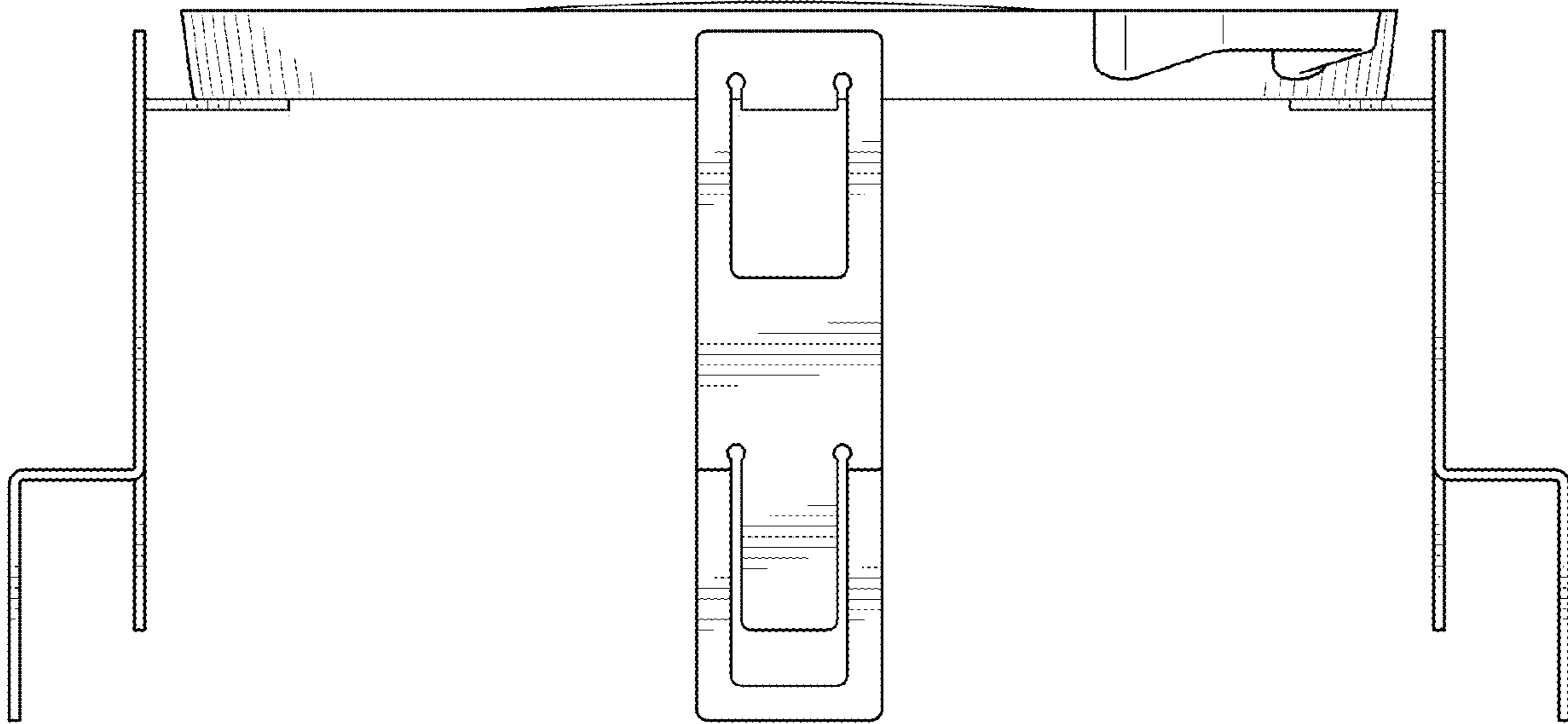


FIG. 6

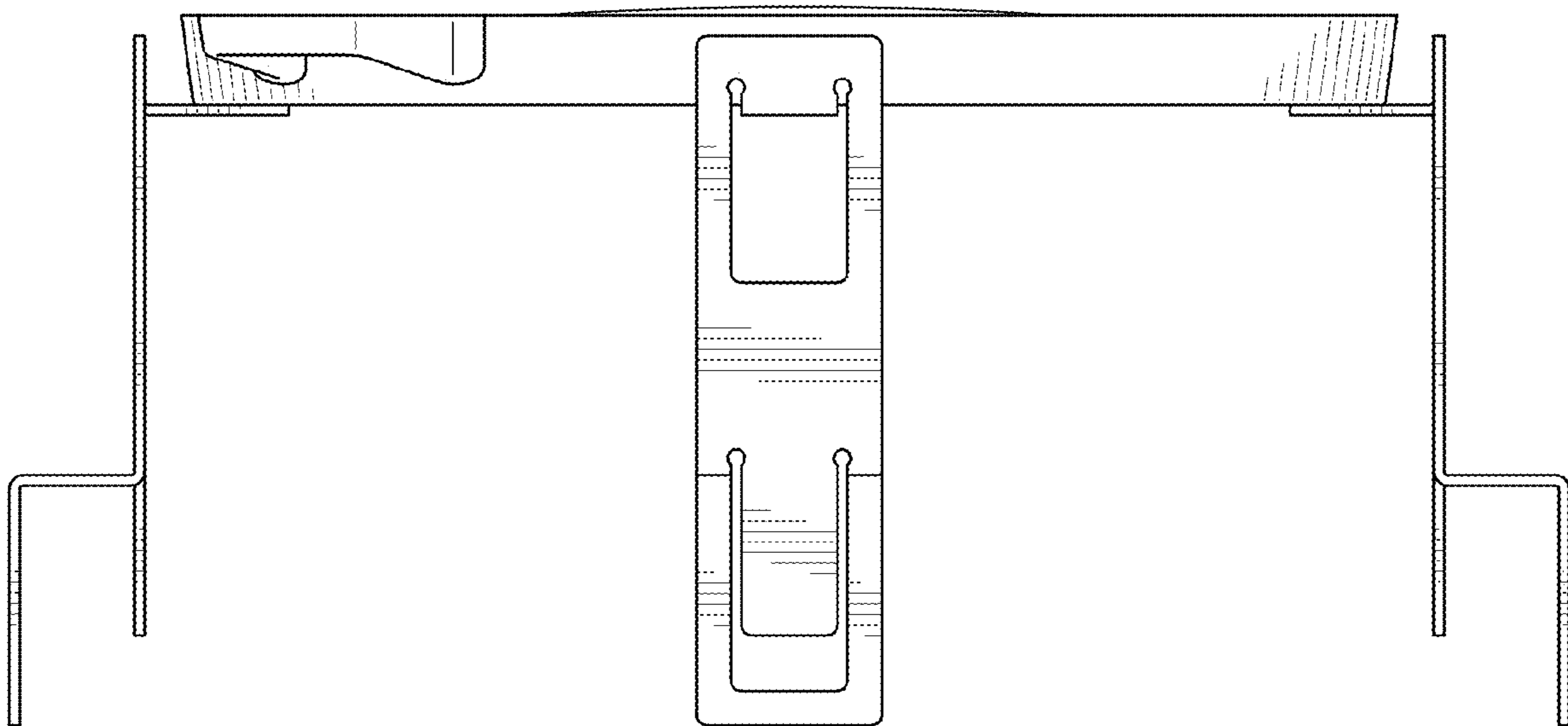


FIG. 7

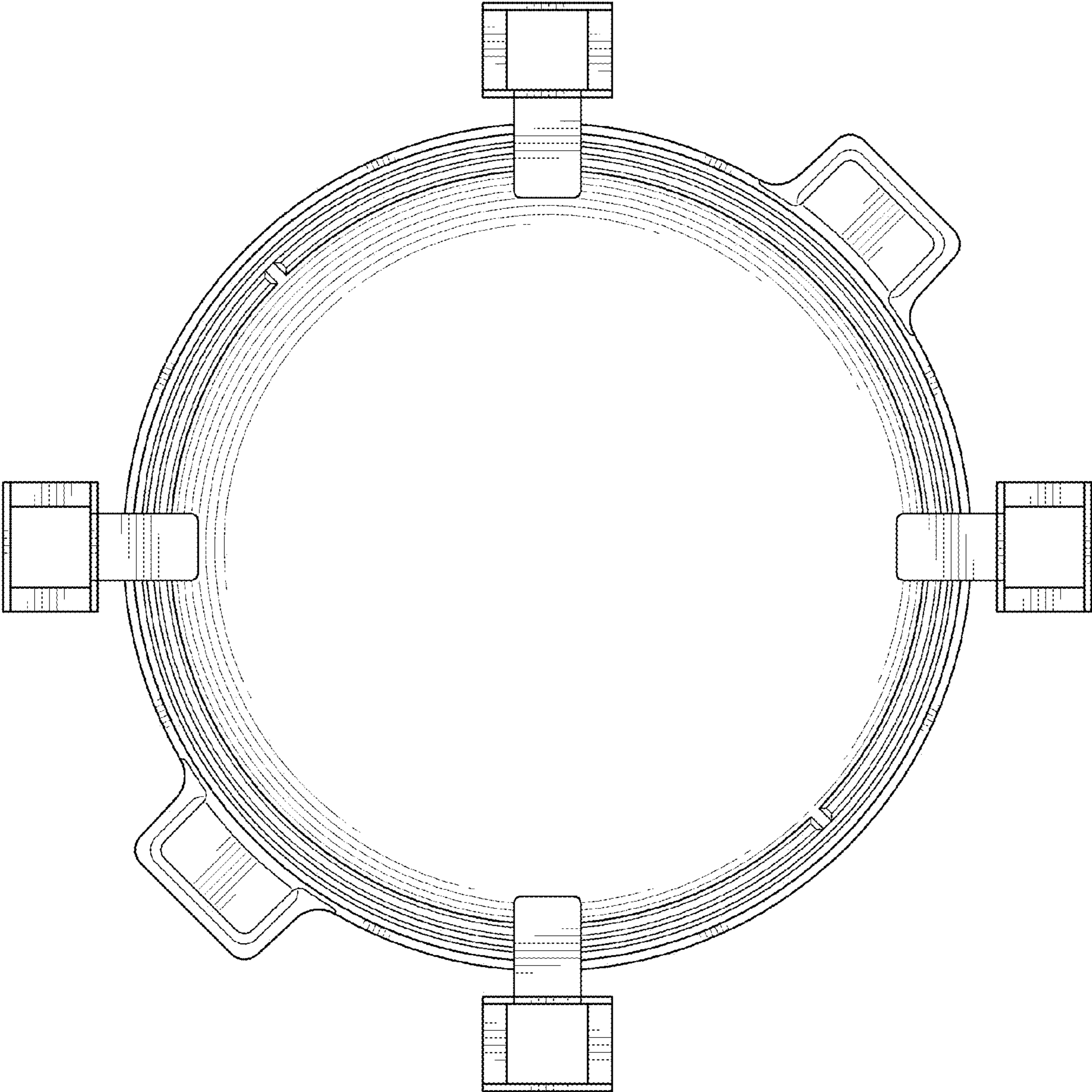


FIG. 8