



US00D957878S

(12) **United States Design Patent**
Zhang

(10) **Patent No.:** **US D957,878 S**

(45) **Date of Patent:** **** Jul. 19, 2022**

(54) **BOTTLE LID**

D922,135 S * 6/2021 Chen D7/392.1
D934,623 S * 11/2021 Wang D7/392.1
D942,208 S * 2/2022 Lown D9/450

(71) Applicant: **Siduo Zhang**, Guangdong (CN)

(72) Inventor: **Siduo Zhang**, Guangdong (CN)

(73) Assignee: **GUANGZHOU BAOMEI NETWORK TECHNOLOGY CO., LTD.**, Guangzhou (CN)

(**) Term: **15 Years**

(21) Appl. No.: **29/795,190**

(22) Filed: **Jun. 17, 2021**

(51) **LOC (13) Cl.** **07-99**

(52) **U.S. Cl.**
USPC **D7/392.1; D9/443**

(58) **Field of Classification Search**
USPC D9/434, 445, 454; D7/392, 392.1;
D3/202
CPC .. B65D 83/205; B65D 83/206; B65D 47/066;
B65D 47/2037
See application file for complete search history.

(56) **References Cited**

U.S. PATENT DOCUMENTS

D801,111 S * 10/2017 Eyal D9/449
D884,473 S 5/2020 Tse et al.
D896,573 S * 9/2020 Wu D7/392.1
D917,957 S * 5/2021 Yao D9/516
D917,960 S 5/2021 Yao

OTHER PUBLICATIONS

Amazon website, Coolflask Straw Lid, Date first available on Amazon Apr. 13, 2021, [site visited May 13, 2022], Available on the Internet URL www.amazon.com/Coolflask-Replacement-Insulated-Compatible-Accessories/dp/B092DMH3NR (Year: 2021).*

* cited by examiner

Primary Examiner — S. Bryan Reinholdt, Jr.

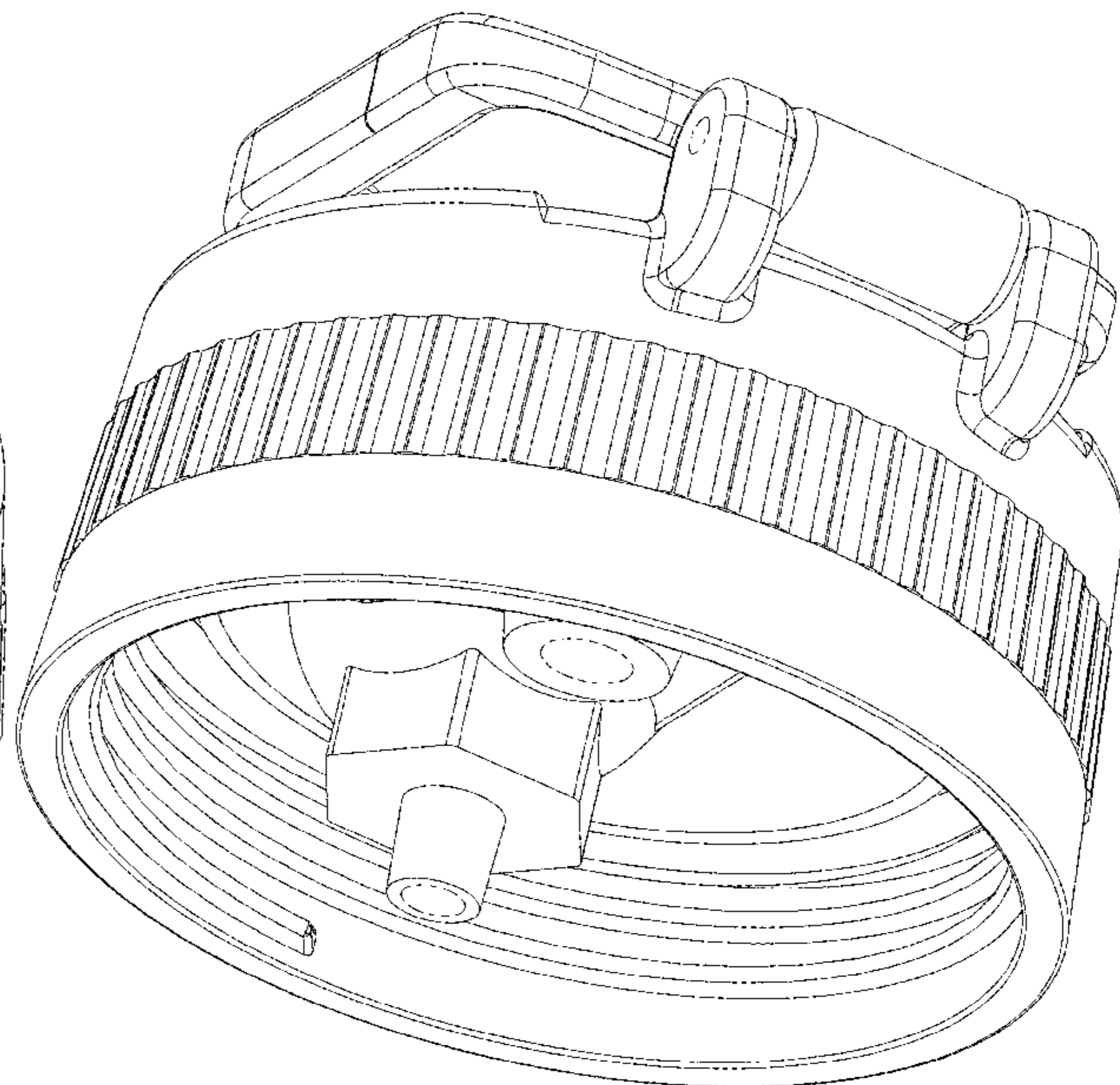
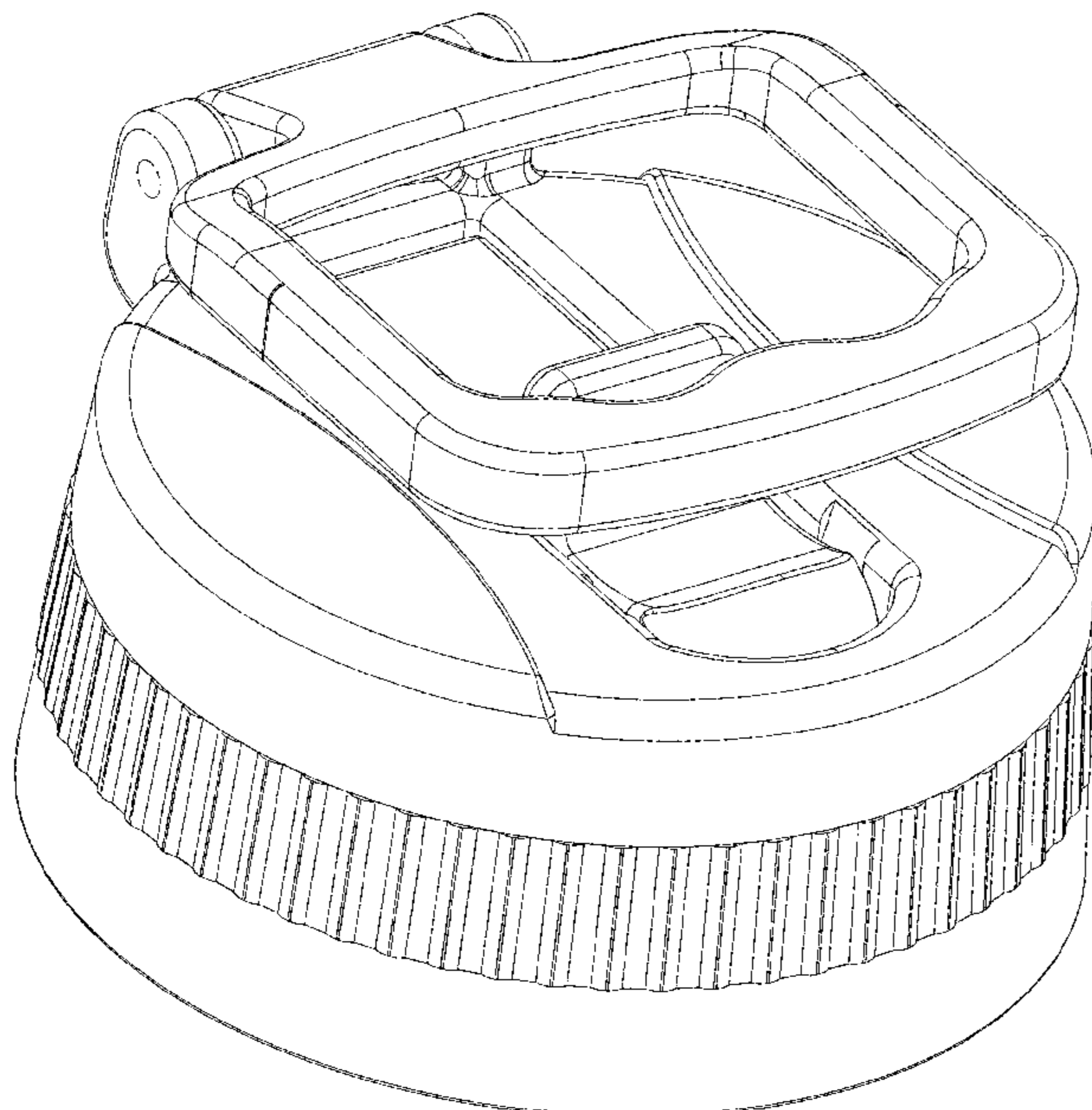
(57) **CLAIM**

The ornamental design for a bottle lid, as shown and described.

DESCRIPTION

FIG. 1 is a top, front, left side perspective view of a bottle lid showing my new design;
FIG. 2 is a bottom, rear, right side perspective view thereof;
FIG. 3 is a bottom, front perspective view thereof;
FIG. 4 is an enlarged front elevation view thereof;
FIG. 5 is an enlarged rear elevation view thereof;
FIG. 6 is an enlarged left side elevation view thereof, the right side elevation view being a mirror image of the enlarged left side elevation view;
FIG. 7 is a top plan view thereof; and,
FIG. 8 is a bottom plan view thereof.
The broken lines in the drawings illustrate portions of the bottle lid that form no part of the claimed design.

1 Claim, 8 Drawing Sheets



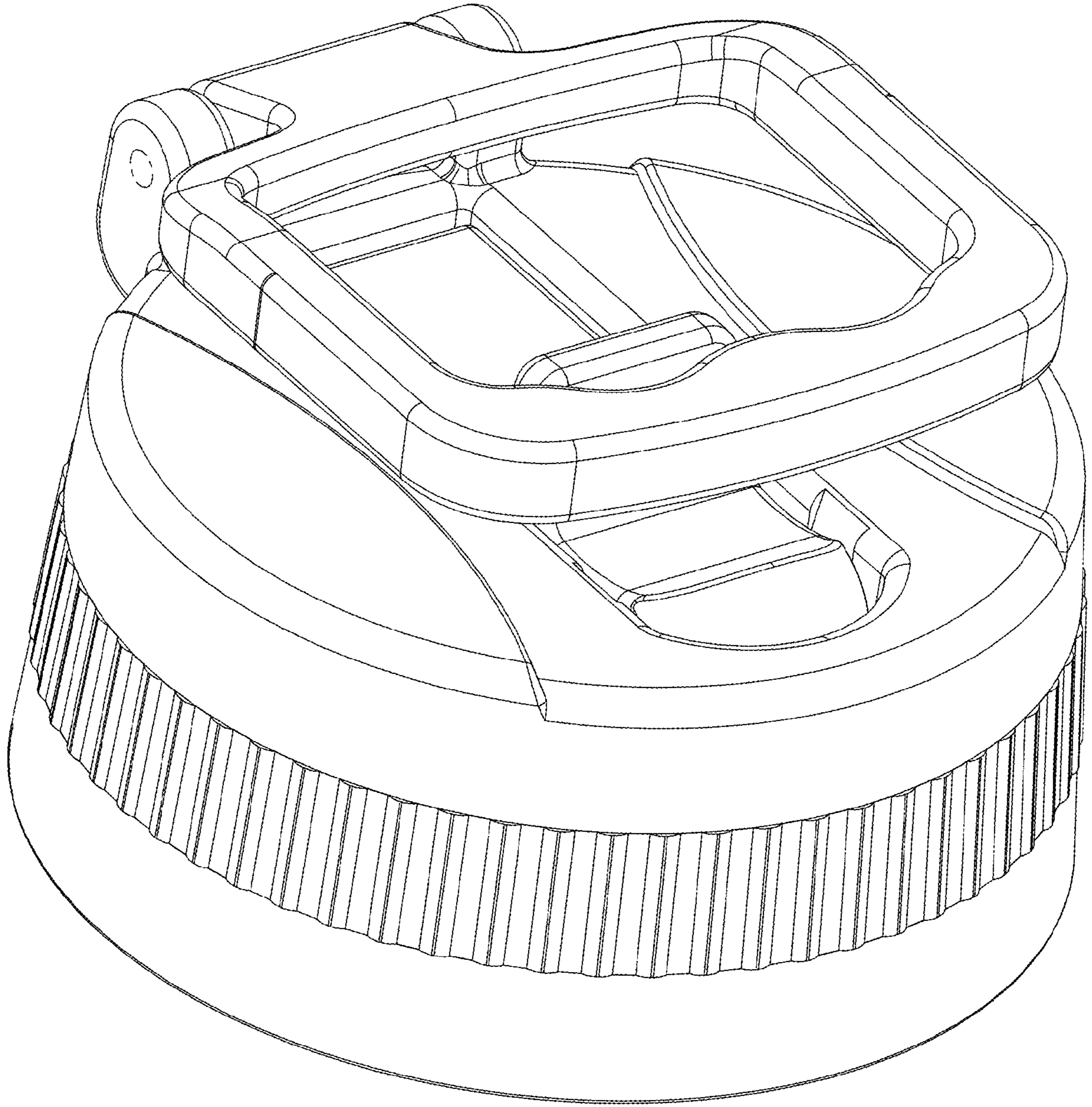


FIG.1

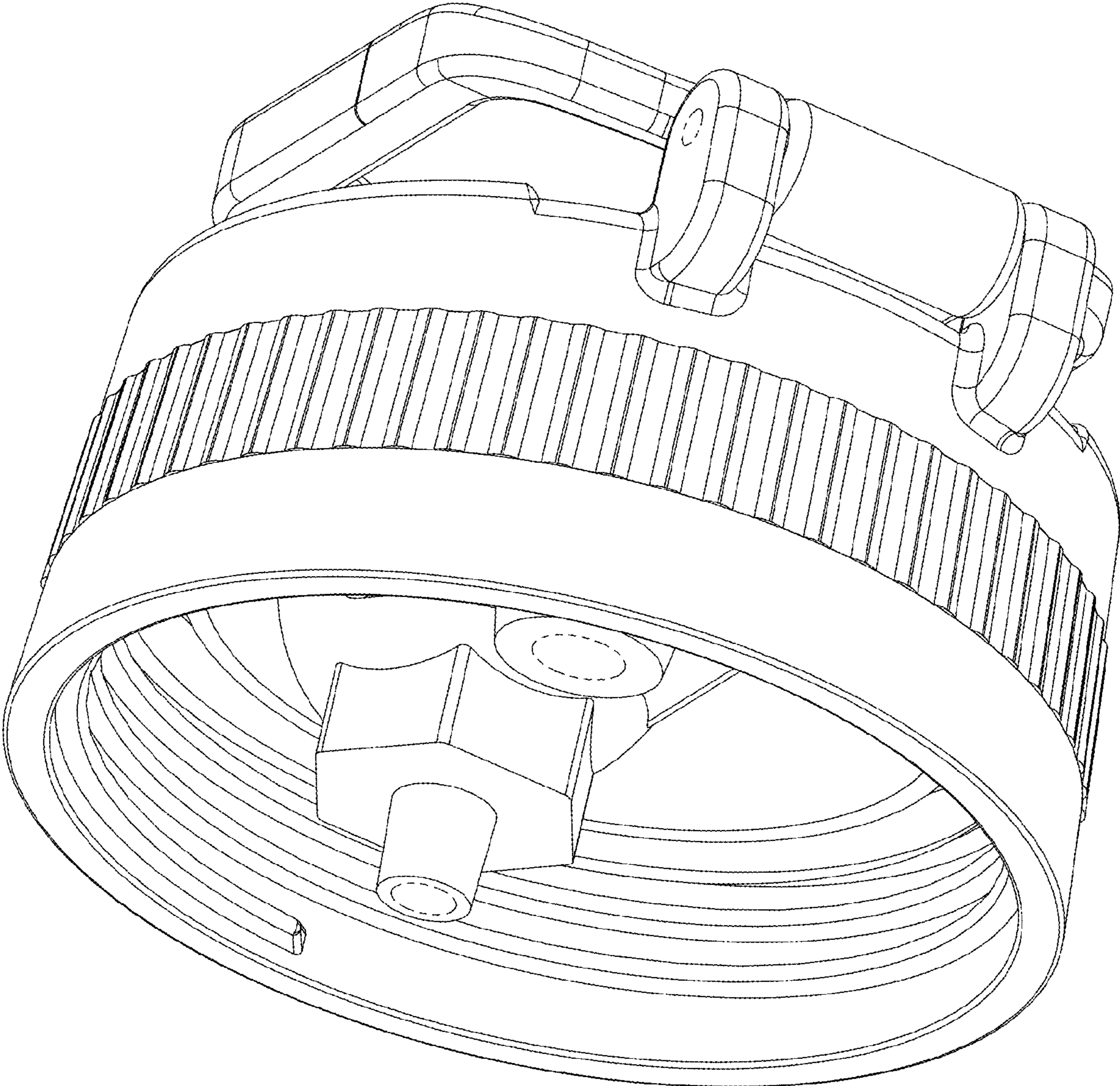


FIG.2

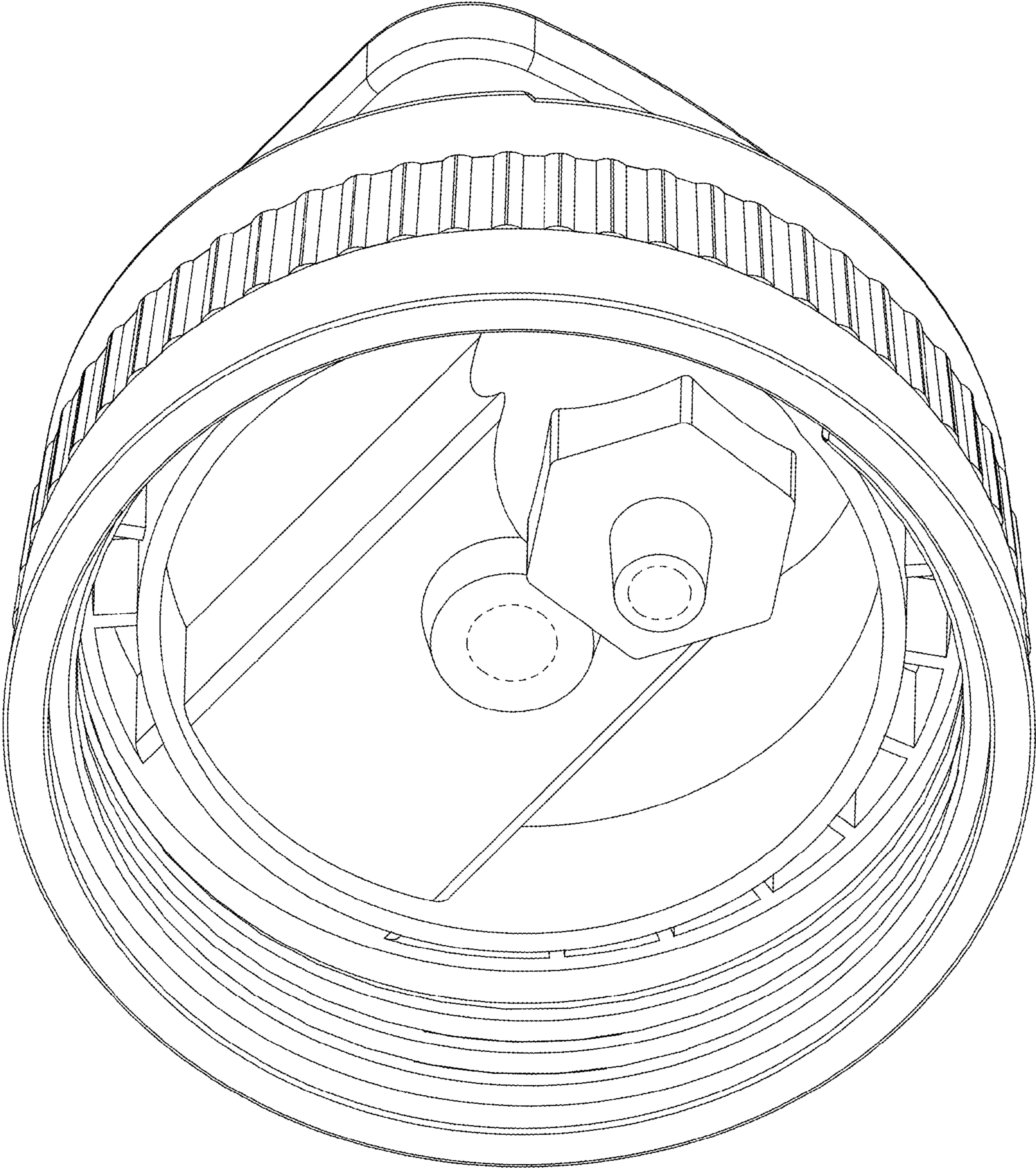


FIG.3

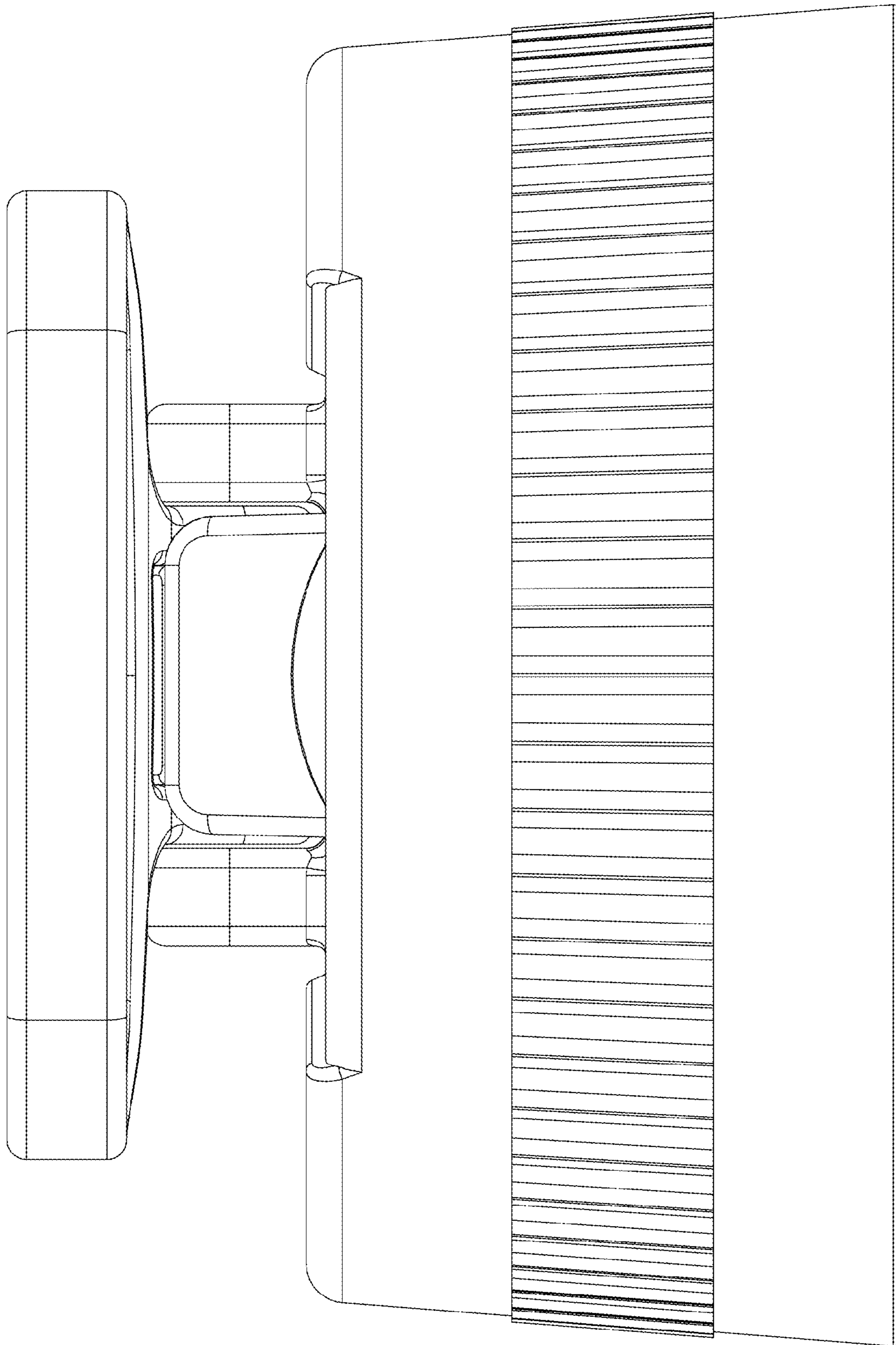


FIG.4

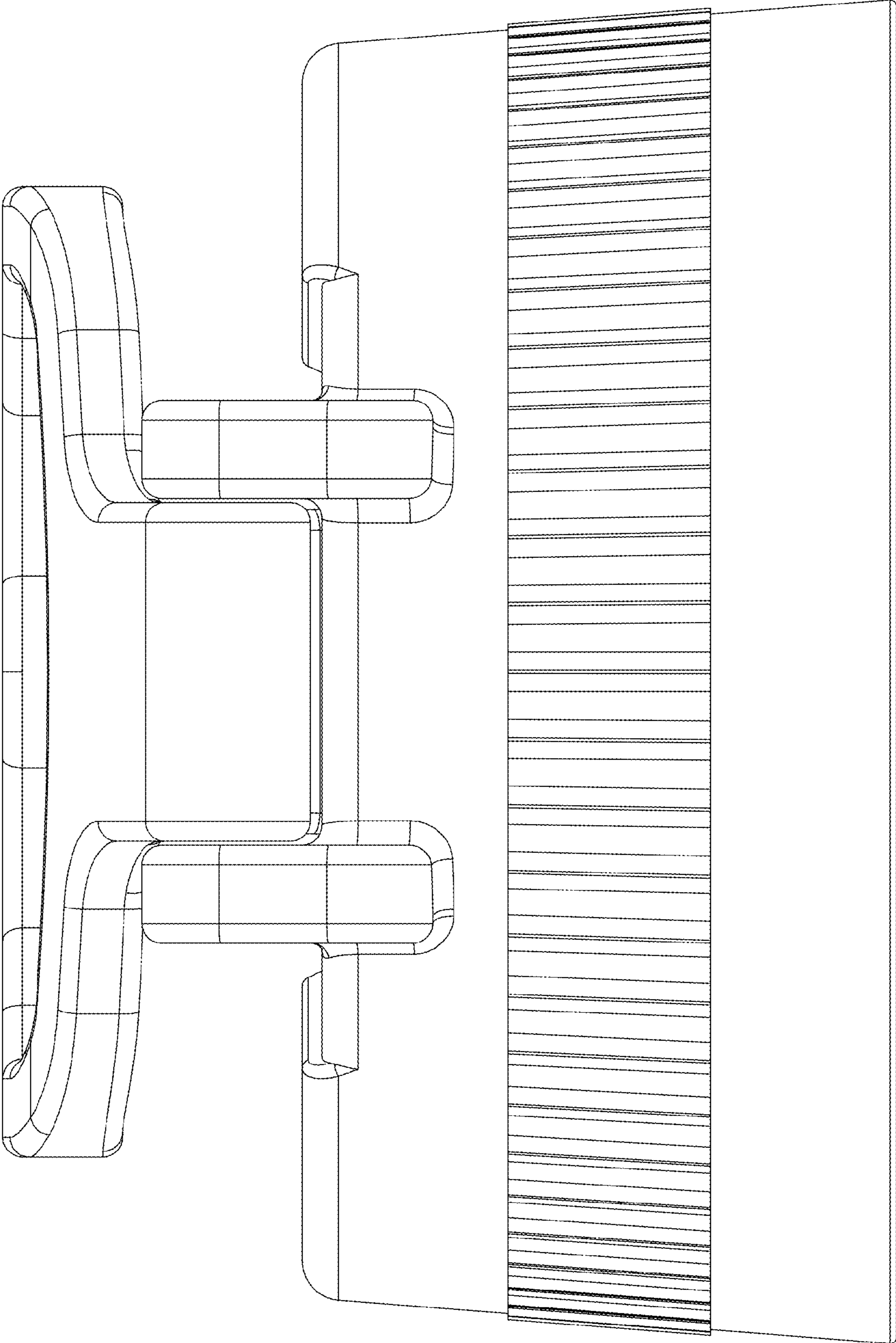


FIG.5

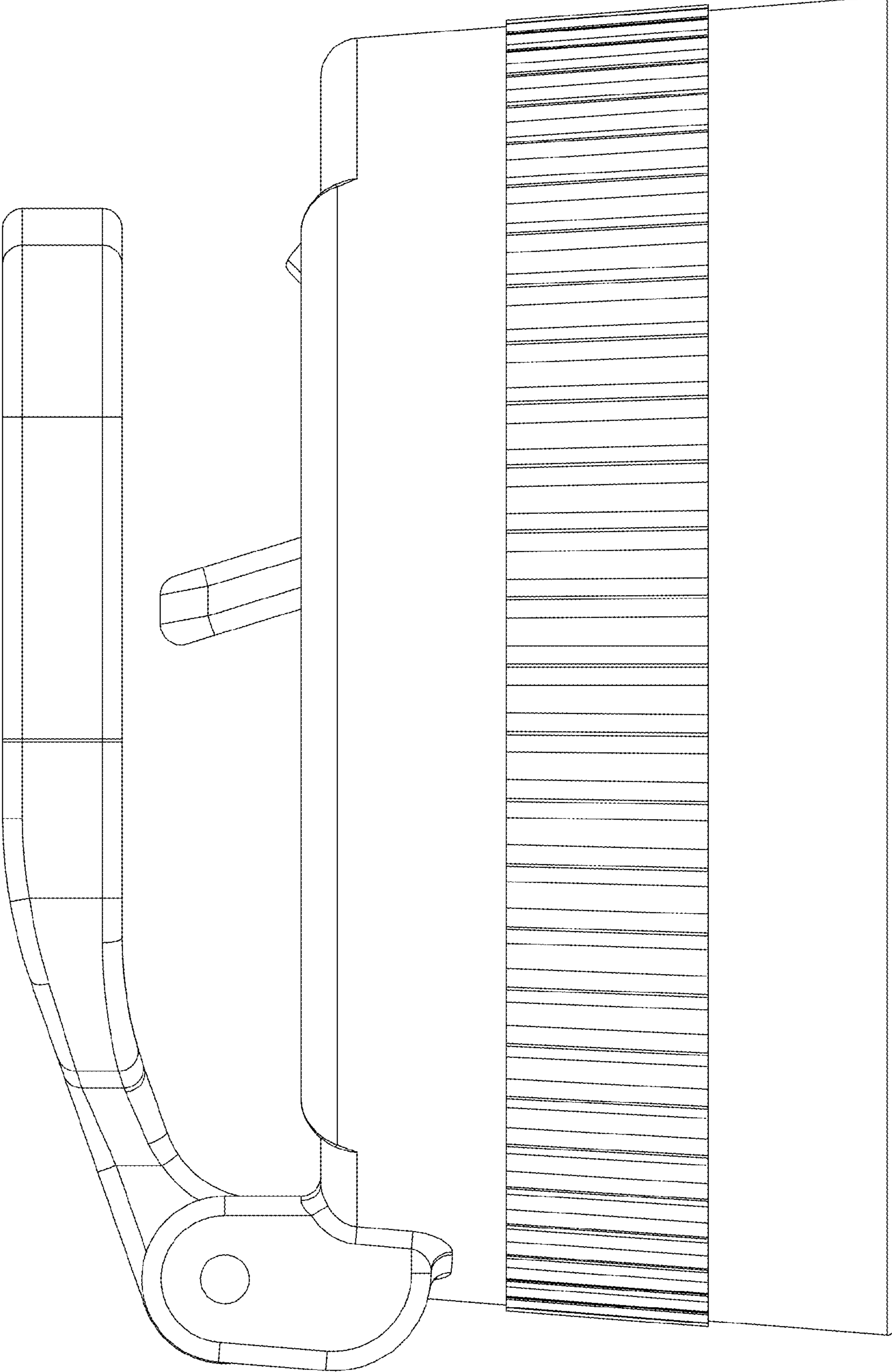


FIG.6

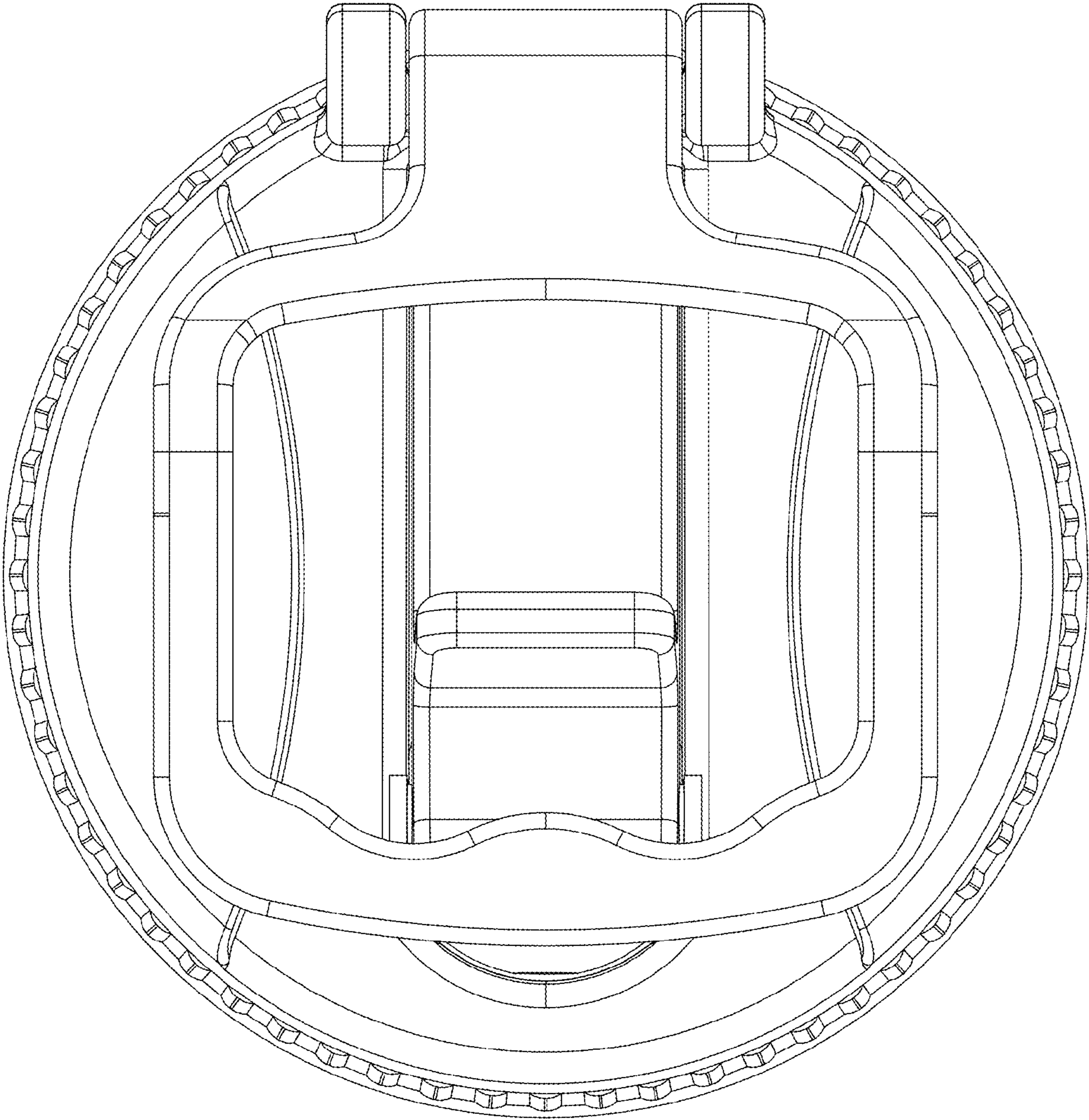


FIG.7

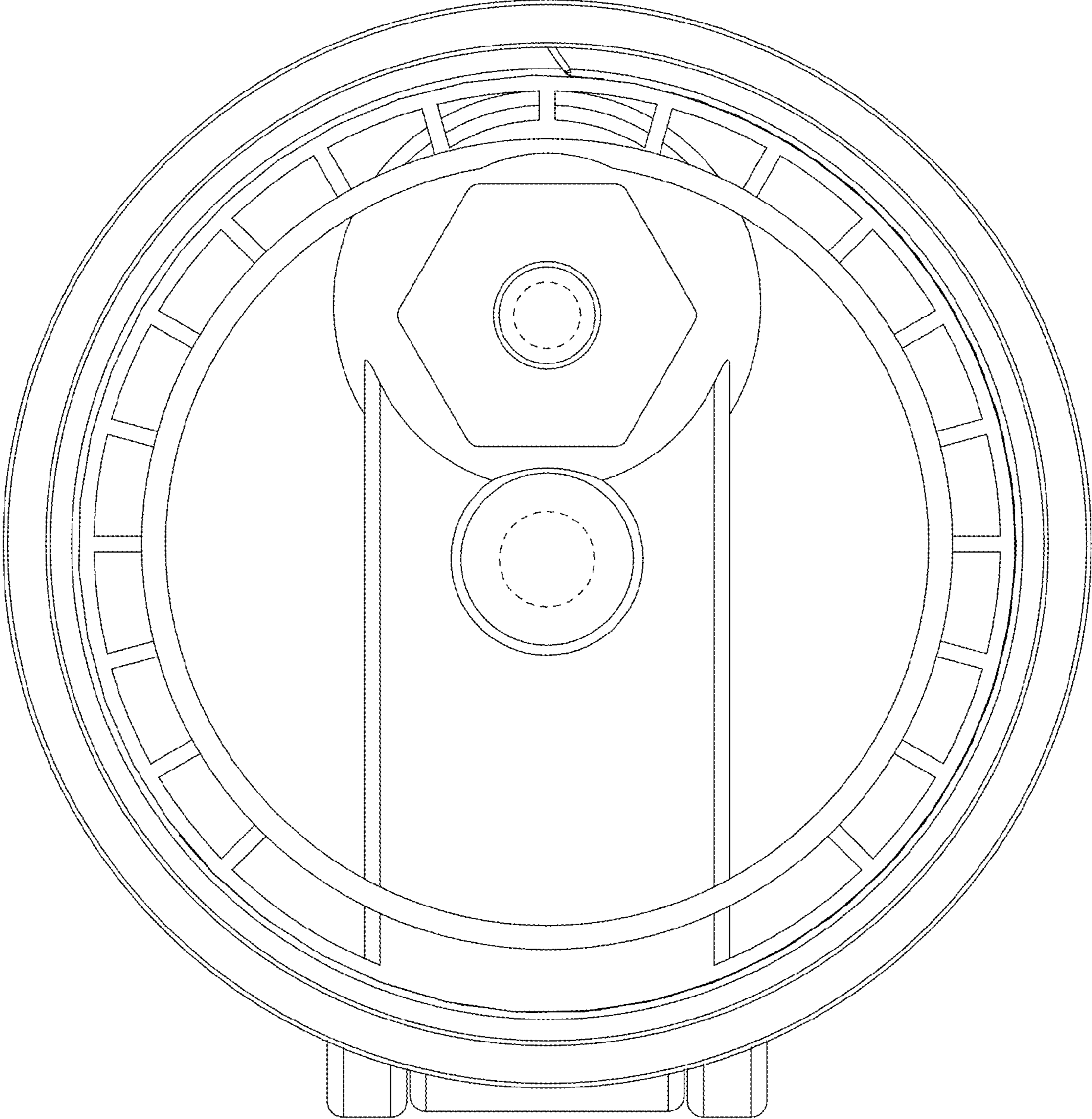


FIG.8