



US00D957877S

(12) **United States Design Patent**  
**Waggoner et al.**

(10) **Patent No.:** **US D957,877 S**  
(45) **Date of Patent:** **\*\* Jul. 19, 2022**

(54) **BEVERAGE ADDITIVE CARTRIDGE CAP**

(71) Applicant: **Cirkul, Inc.**, Tampa, FL (US)

(72) Inventors: **Garrett S. Waggoner**, Tampa, FL (US);  
**Andrew Gay**, Bothell, WA (US); **Cole Houston**, Central Falls, RI (US);  
**Thomas A. Urbanik**, Maynard, MA (US)

(73) Assignee: **Cirkul, Inc.**, Tampa, FL (US)

(\*\*) Term: **15 Years**

(21) Appl. No.: **29/773,236**

(22) Filed: **Mar. 8, 2021**

**Related U.S. Application Data**

(63) Continuation of application No. 29/695,668, filed on Jun. 20, 2019, now Pat. No. Des. 912,462, which is a continuation-in-part of application No. 29/624,862, filed on Nov. 3, 2017, now Pat. No. Des. 872,520.

(51) **LOC (13) Cl.** ..... **07-99**

(52) **U.S. Cl.**  
USPC ..... **D7/392.1**; D7/396.2; D9/436; D9/447

(58) **Field of Classification Search**  
USPC ..... D7/507, 509, 510, 511, 392.1, 396.2,  
D7/400, 398, 213, 393, 394, 397, 514,  
D7/515, 389, 581; 220/200, 703;  
D9/434, 435, 436, 447, 448, 635, 440,  
D9/439, 450, 446, 443  
CPC .... B65D 41/56; B65D 41/04; B65D 41/0414;  
A47J 43/27; A45F 3/16  
See application file for complete search history.

(56) **References Cited**

**U.S. PATENT DOCUMENTS**

D490,315 S \* 5/2004 Kiser ..... 206/219  
D508,202 S \* 8/2005 Dobson ..... D9/447  
D530,611 S \* 10/2006 Nusbaum ..... D9/449  
D556,575 S \* 12/2007 Nusbaum ..... D9/446

D761,648 S \* 7/2016 Karl, IV ..... D9/447  
9,975,669 B2 \* 5/2018 Pellerin ..... B65D 43/0235  
D833,278 S \* 11/2018 Pellerin ..... D9/449  
D834,368 S \* 11/2018 Oas ..... D7/392.1

(Continued)

**OTHER PUBLICATIONS**

[https://www.amazon.com/dp/B001NCDE7A/ref=cm\\_sw\\_em\\_r\\_mt\\_dp\\_A6T99RHAFSWSC50VDMWS](https://www.amazon.com/dp/B001NCDE7A/ref=cm_sw_em_r_mt_dp_A6T99RHAFSWSC50VDMWS) (Year: 2008).\*

(Continued)

*Primary Examiner* — Jae Liang

(74) *Attorney, Agent, or Firm* — Rollins IP; John F. Rollins

(57) **CLAIM**

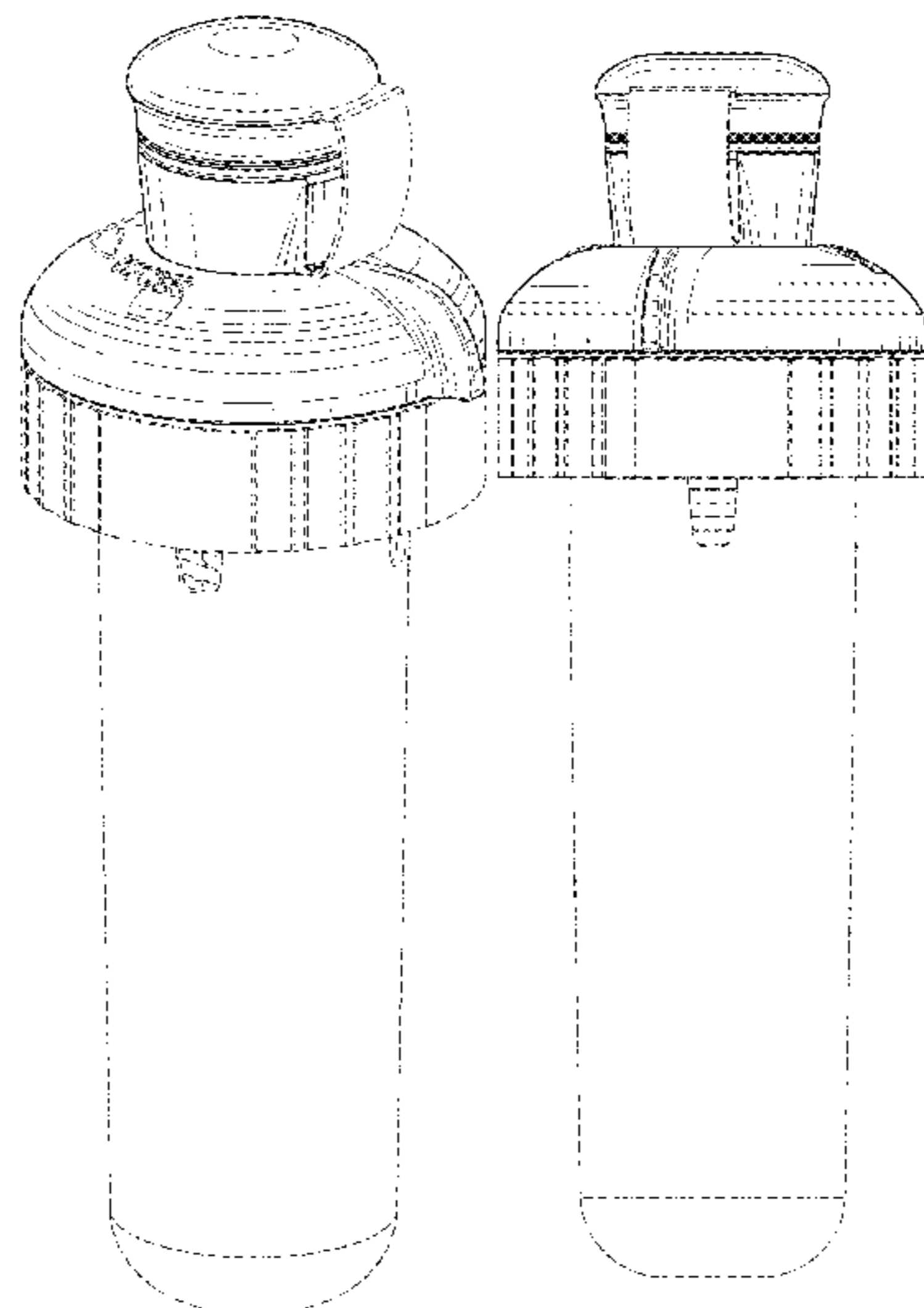
The ornamental design for a beverage additive cartridge cap, as shown and described.

**DESCRIPTION**

FIG. 1 is a perspective view of a beverage additive cartridge cap showing our new design;  
FIG. 2 is a bottom perspective view of the beverage additive cartridge cap of FIG. 1;  
FIG. 3 is a front view of the beverage additive cartridge cap of FIG. 1;  
FIG. 4 is a rear view of the beverage additive cartridge cap of FIG. 1;  
FIG. 5 is a left side view of the beverage additive cartridge cap of FIG. 1;  
FIG. 6 is a right side view of the beverage additive cartridge cap of FIG. 1;  
FIG. 7 is a top view of the beverage additive cartridge cap of FIG. 1; and,  
FIG. 8 is a bottom view of the beverage additive cartridge cap of FIG. 1.

The features shown in broken lines are included to show portions of the beverage additive cartridge cap that form no part of the claimed design.

**1 Claim, 4 Drawing Sheets**



(56)

**References Cited**

U.S. PATENT DOCUMENTS

D872,520 S \* 1/2020 Waggoner ..... D7/392.1  
D892,544 S \* 8/2020 Waggoner ..... D7/392.1  
D901,977 S \* 11/2020 Crampton ..... D7/511  
D907,955 S \* 1/2021 Massucco ..... D9/453  
D908,430 S \* 1/2021 McCabe ..... D9/503  
D912,462 S \* 3/2021 Waggoner ..... D7/392.1  
2002/0036176 A1\* 3/2002 Hughes ..... C02F 1/003  
210/767  
2015/0232318 A1\* 8/2015 Meldeau ..... B67D 3/0019  
222/189.06  
2017/0296988 A1\* 10/2017 Waggoner ..... B01F 5/0495

OTHER PUBLICATIONS

[https://verbatim.blogs.com/verbatim/2007/05/new\\_bad\\_old\\_goo.html](https://verbatim.blogs.com/verbatim/2007/05/new_bad_old_goo.html) (Year: 2007).\*

\* cited by examiner

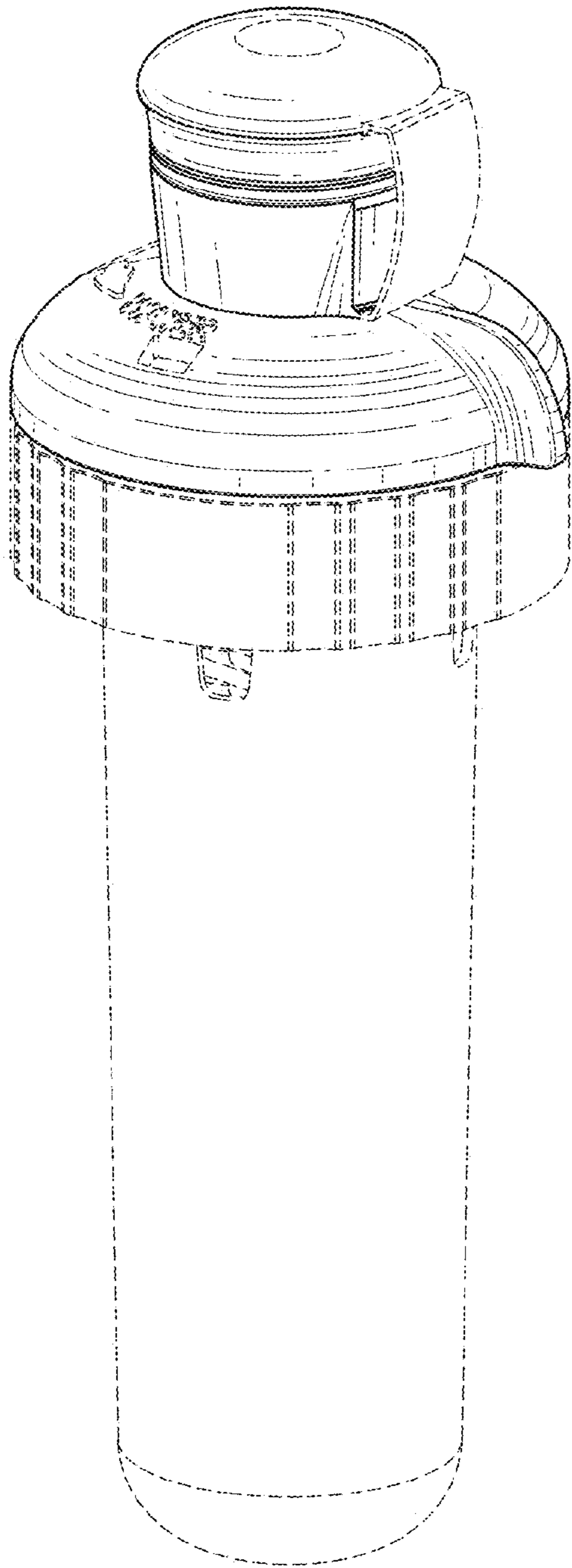


FIG. 1

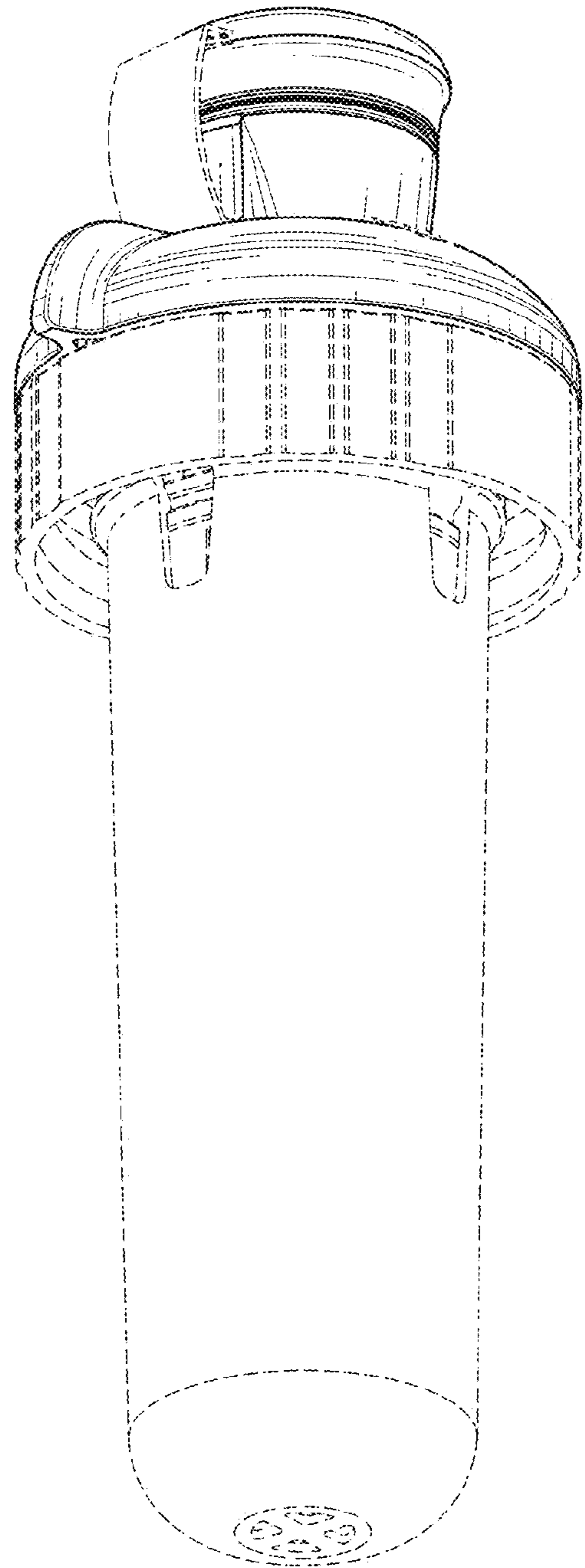


FIG. 2

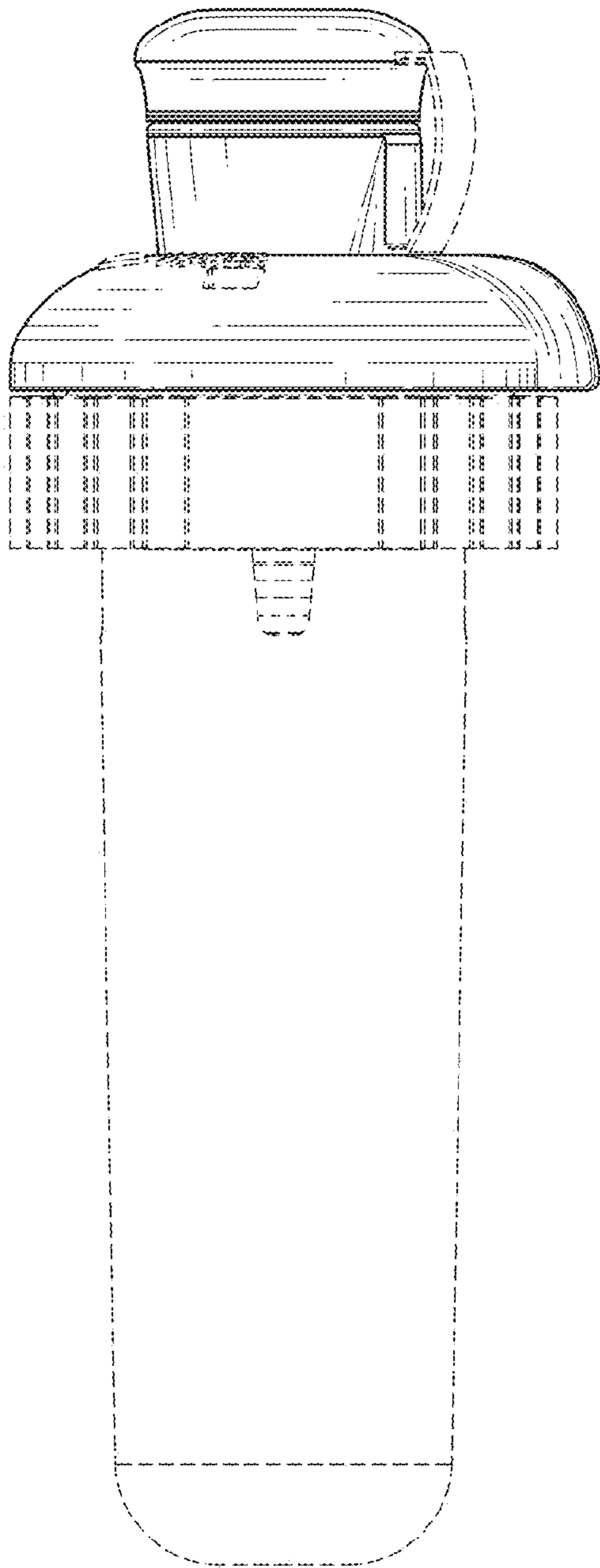


FIG. 3

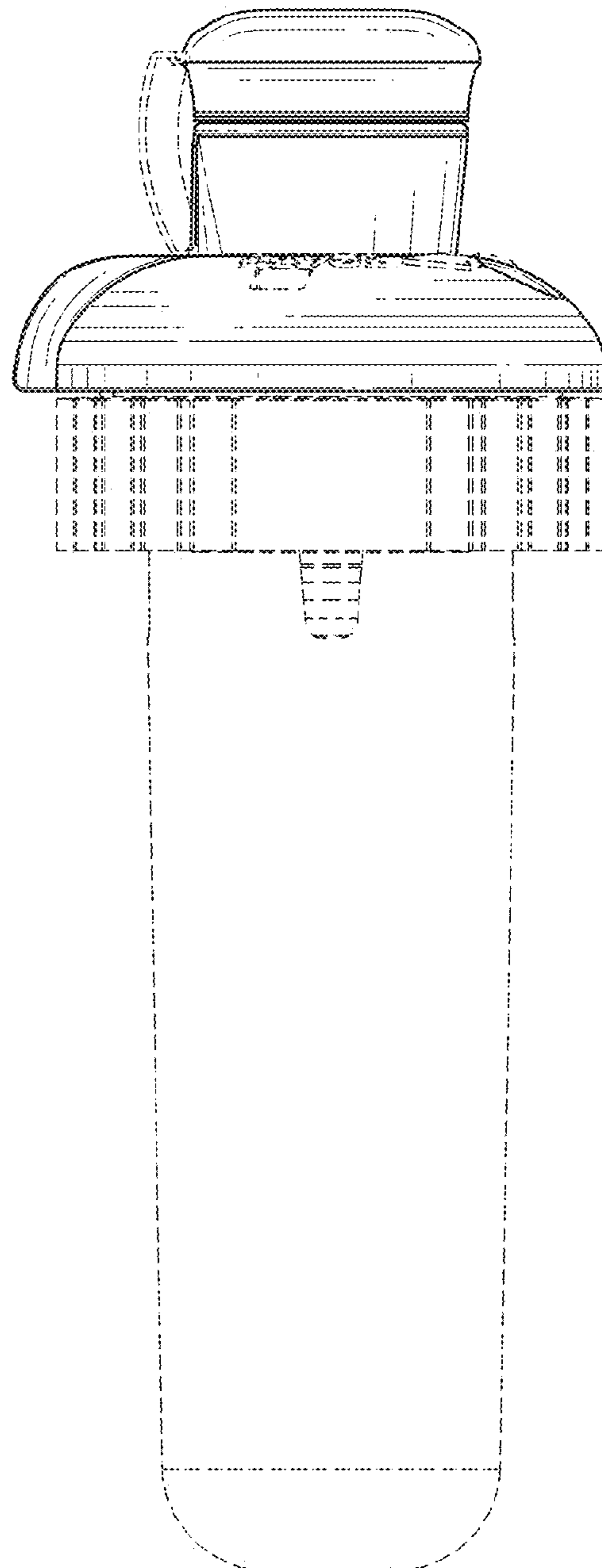


FIG. 4

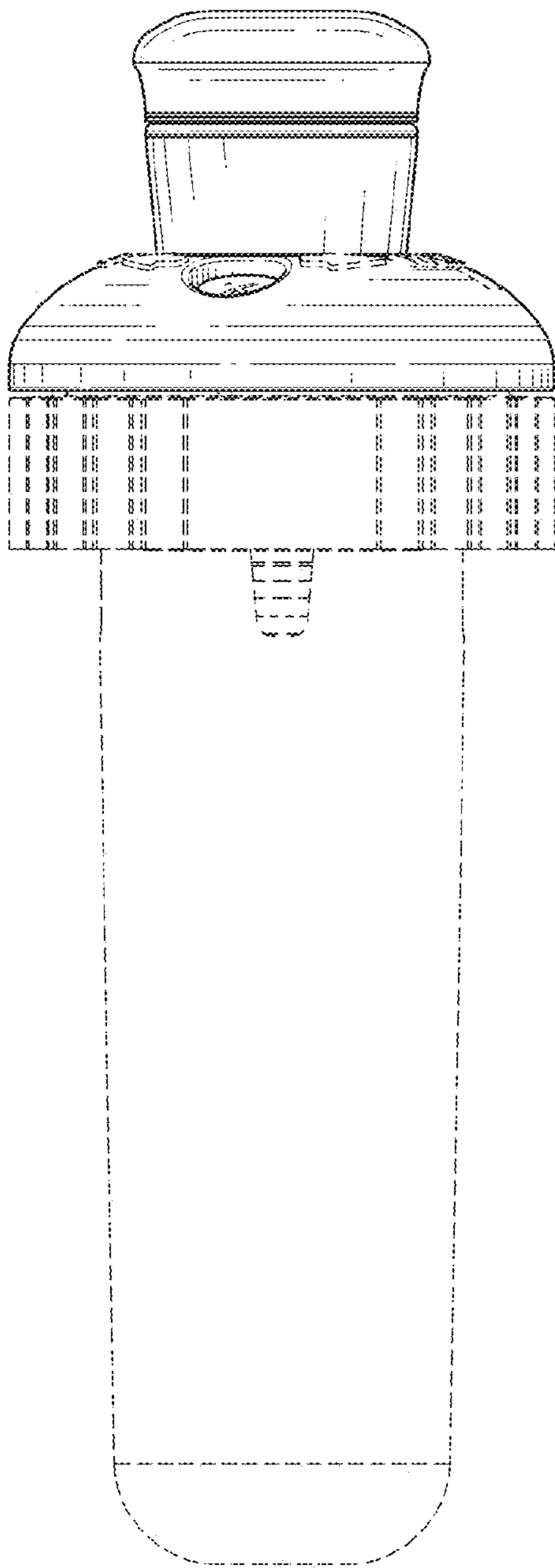


FIG. 5

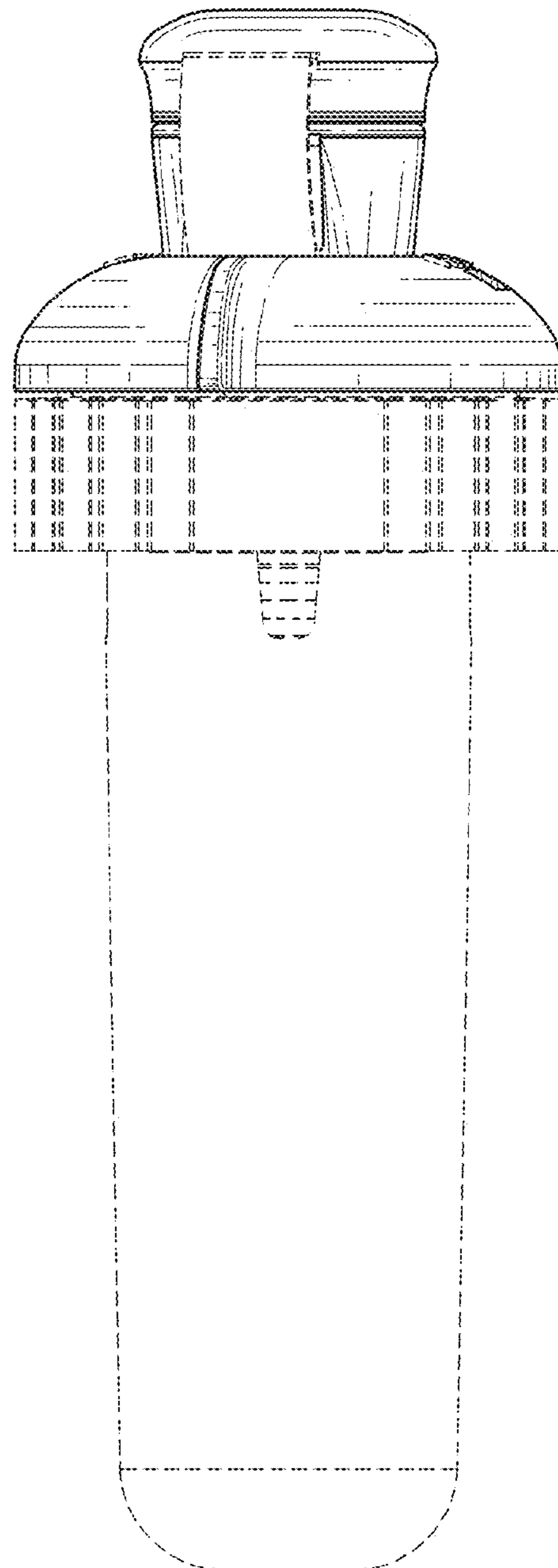


FIG. 6

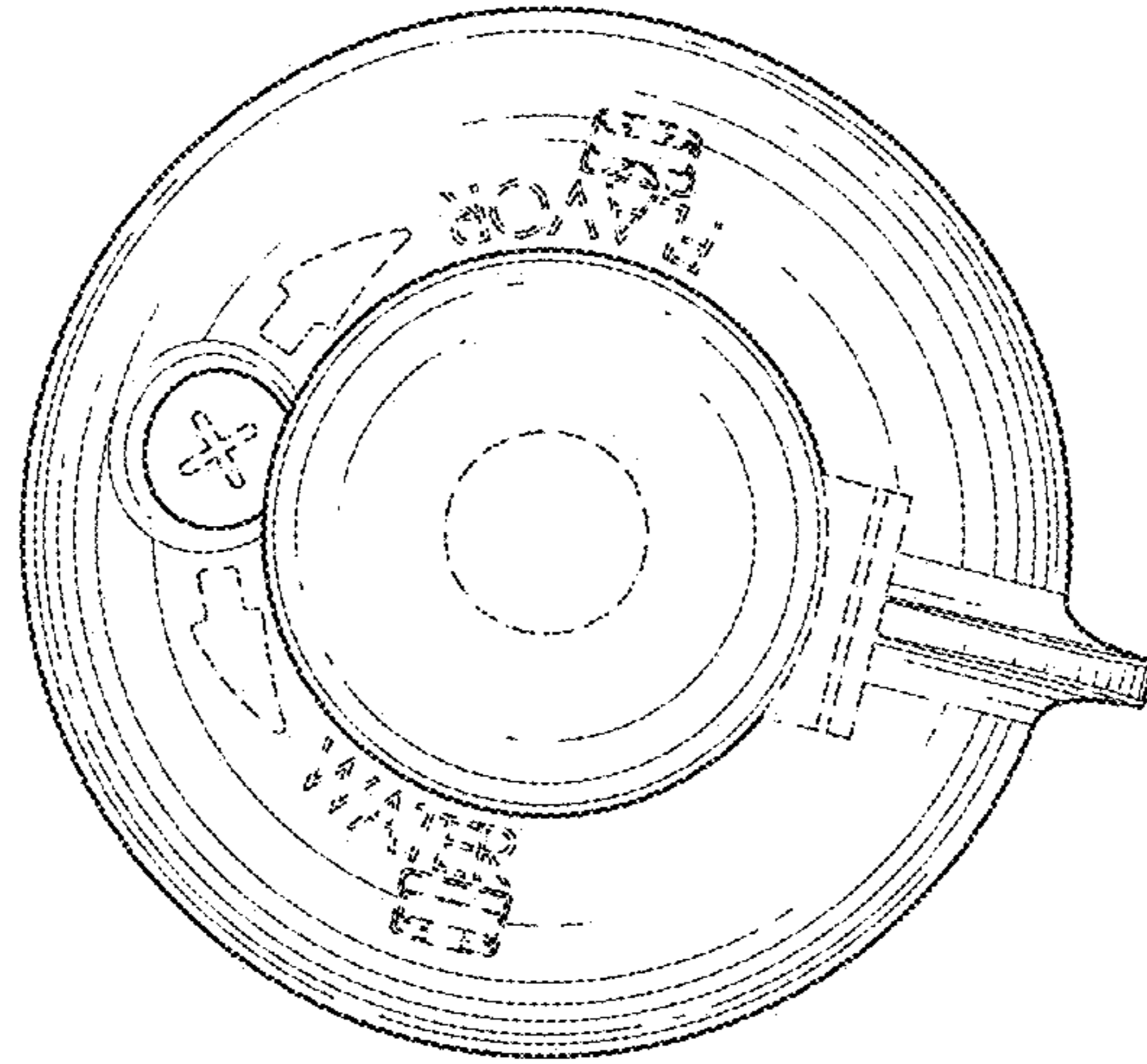


FIG. 7

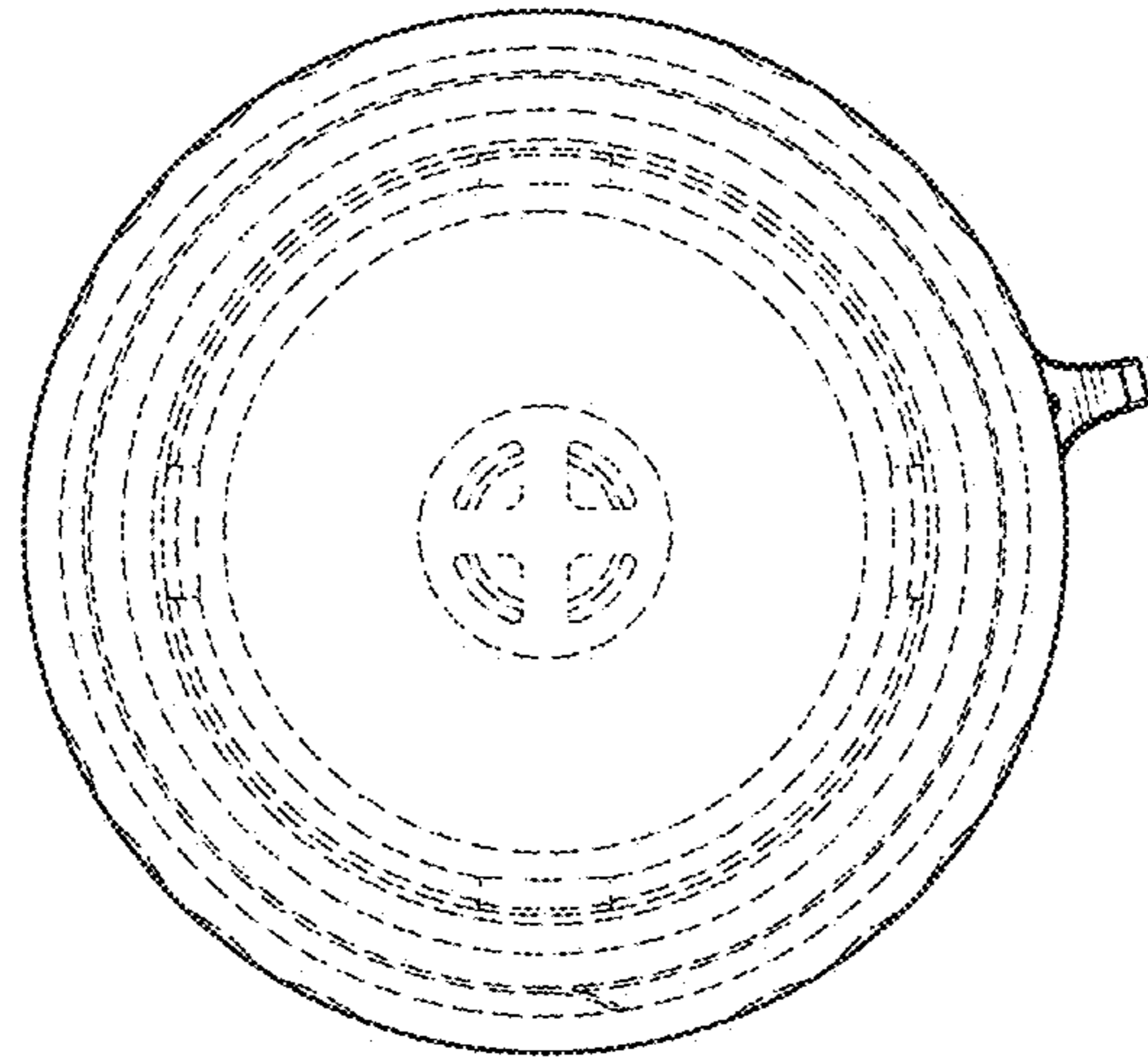


FIG. 8