



US00D957876S

(12) **United States Design Patent**
Hu

(10) **Patent No.:** **US D957,876 S**
(45) **Date of Patent:** **** Jul. 19, 2022**

(54) **KETTLE LID**

(71) Applicant: **Yuechun Hu**, Guangdong (CN)

(72) Inventor: **Yuechun Hu**, Guangdong (CN)

(**) Term: **15 Years**

(21) Appl. No.: **29/762,523**

(22) Filed: **Dec. 17, 2020**

(51) **LOC (13) Cl.** **09-01**

(52) **U.S. Cl.**
USPC **D7/392.1; D9/447**

(58) **Field of Classification Search**
USPC D9/435, 439, 440, 442-449, 450, 454,
D9/531, 682-694, 723; D7/321, 391,
D7/392, 392.1, 396.2, 507, 509-511, 523,
D7/608, 900; D6/515
CPC B65D 83/205; B65D 83/206; B65D 83/40;
B65D 2543/00046; A47G 19/2272
See application file for complete search history.

(56) **References Cited**

U.S. PATENT DOCUMENTS

D510,235 S *	10/2005	Sorensen	D7/510
D538,597 S *	3/2007	Kim	D7/510
D626,837 S *	11/2010	Meyers	D9/443
D626,838 S *	11/2010	Meyers	D9/443
D628,483 S *	12/2010	McKinney	D9/449
D644,065 S *	8/2011	Llerena	D7/510
D646,919 S *	10/2011	Nilsson	B65D 47/148
				D7/300.1
D666,047 S *	8/2012	Lin	D7/300.1
D690,989 S *	10/2013	Cetera	D7/392.1
D691,849 S *	10/2013	Cetera	D7/392.1
D696,551 S *	12/2013	Meyers	D7/392.1
D699,996 S *	2/2014	De Leo	D7/300.1
D702,489 S *	4/2014	Steel	D7/392.1
D702,503 S *	4/2014	Steel	D7/510
8,695,830 B2 *	4/2014	Meyers	B65D 47/0895
				220/254.3

D726,476 S *	4/2015	Ercanbrack	D7/300.1
D730,694 S *	6/2015	Elsaden	D7/511
D739,174 S *	9/2015	Elsaden	D7/392.1
D742,230 S *	11/2015	Charles	D9/449
D745,827 S *	12/2015	Sorensen	D7/392.1
D748,430 S *	2/2016	Sorensen	D7/392.1
D748,478 S *	2/2016	Sorensen	D9/443
D751,344 S *	3/2016	Charlton	D7/510
D752,382 S *	3/2016	Ksiazek	D7/392.1
D752,390 S *	3/2016	Ksiazek	D7/510
D758,127 S *	6/2016	Zhao	D7/392.1
D766,029 S *	9/2016	Lin	D7/511
D768,491 S *	10/2016	Sorensen	D9/449
D771,990 S *	11/2016	Horowitz	D7/511
D778,666 S *	2/2017	De Leo	D7/392.1
D779,872 S *	2/2017	Bergstrom	D7/392.1
D780,516 S *	3/2017	Cornelius	D7/510
D781,104 S *	3/2017	Cerasani	D7/510
D781,654 S *	3/2017	Marquard	A45F 3/16
				D7/510

(Continued)

Primary Examiner — Brett Miller
Assistant Examiner — Rani J Abdallah

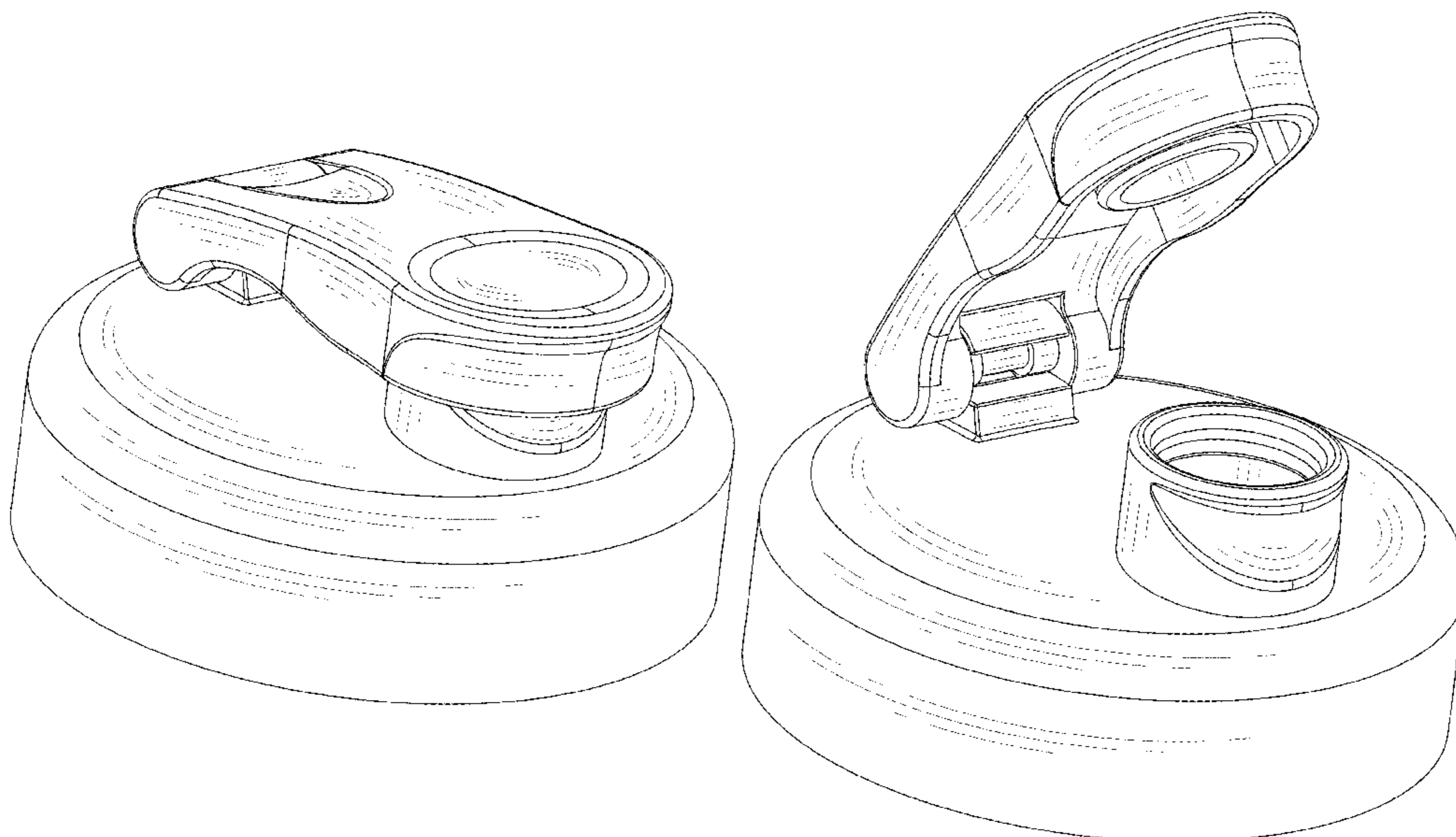
(57) **CLAIM**

The ornamental design for a kettle lid, as shown and described.

DESCRIPTION

FIG. 1 is a perspective view of a kettle lid showing my new design;
FIG. 2 is a front elevational view thereof;
FIG. 3 is a rear elevational view thereof;
FIG. 4 is a left side elevational view thereof;
FIG. 5 is a right side elevational view thereof;
FIG. 6 is a top plan view thereof;
FIG. 7 is a bottom plan view thereof;
FIG. 8 is another perspective view thereof; and,
FIG. 9 is another perspective view thereof.

1 Claim, 9 Drawing Sheets



(56)

References Cited

U.S. PATENT DOCUMENTS

D793,164 S *	8/2017	Charlton	D7/510	D878,853 S *	3/2020	Omdahl, II	D7/392.1
D794,386 S *	8/2017	Steel	D7/396.2	D878,855 S *	3/2020	Nucci	D7/392.1
D799,266 S *	10/2017	Schroedter	D7/507	D881,647 S *	4/2020	Wang	D7/510
D799,270 S *	10/2017	Polk, III	D7/510	D885,123 S *	5/2020	Vollmer, Jr.	D7/392.1
D802,366 S *	11/2017	Cerasani	D7/510	D886,527 S *	6/2020	Huang	D7/511
D808,216 S *	1/2018	Holowaychuk	D7/391	D887,202 S *	6/2020	Wadsworth	D7/392.1
D820,038 S *	6/2018	Sorensen	D7/392.1	D887,781 S *	6/2020	Bergstrom	D7/510
D830,119 S *	10/2018	Sorensen	D7/392.1	D889,193 S *	7/2020	Alles	D7/392.1
D833,224 S *	11/2018	Wahlkvist	D7/510	D889,904 S *	7/2020	Lane	D7/392.1
D836,985 S *	1/2019	Otto	D7/510	D897,149 S *	9/2020	Sorensen	D7/392.1
D846,392 S *	4/2019	Markey	D9/447	D898,507 S *	10/2020	Ekblom	D7/392.1
D852,577 S *	7/2019	Markey	D7/396.2	D899,846 S *	10/2020	Wang	D7/392.1
D859,919 S *	9/2019	Gronkowski	D7/510	D900,540 S *	11/2020	Sorensen	D7/392.1
D864,657 S *	10/2019	Omdahl, II	D7/392.1	D901,249 S *	11/2020	Huang	D7/511
D872,534 S *	1/2020	Peng	D7/510	D904,108 S *	12/2020	Gronkowski	D7/392.1
D875,473 S *	2/2020	Wahlkvist	D7/510	D926,521 S *	8/2021	Gronkowski	D7/510
D878,147 S *	3/2020	Berresheim	D7/392.1	D931,041 S *	9/2021	Losito	D7/392.1
D878,149 S *	3/2020	Omdahl, II	D7/396.2	D933,425 S *	10/2021	Hao	D7/536
D878,150 S *	3/2020	Omdahl, II	D7/396.2	2014/0091086 A1 *	4/2014	Sorensen	A47G 19/2205 220/4.27
D878,842 S *	3/2020	Wei	D7/300.1	2015/0329255 A1 *	11/2015	Rzepecki	B65D 47/0885 222/189.06

* cited by examiner

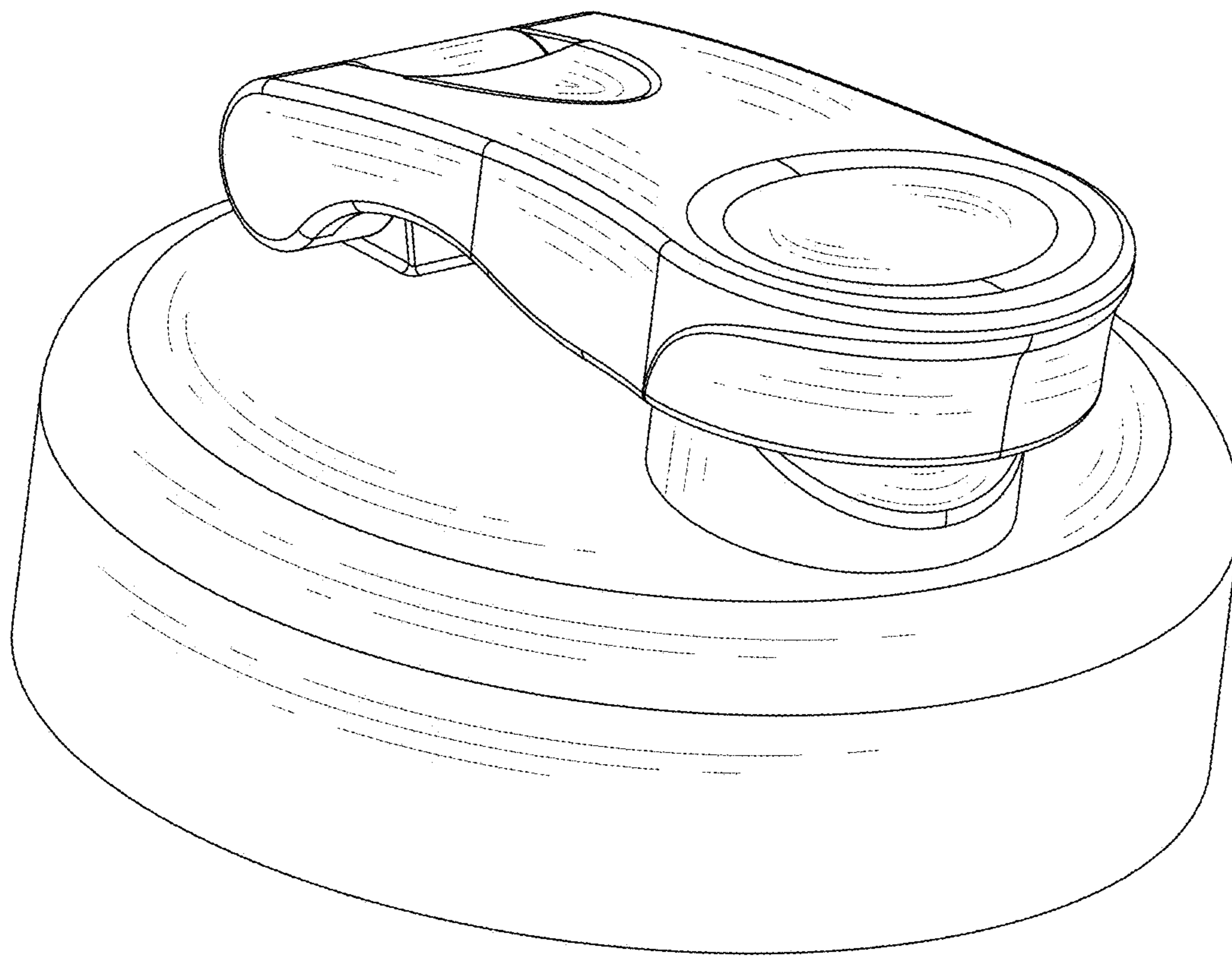


FIG.1

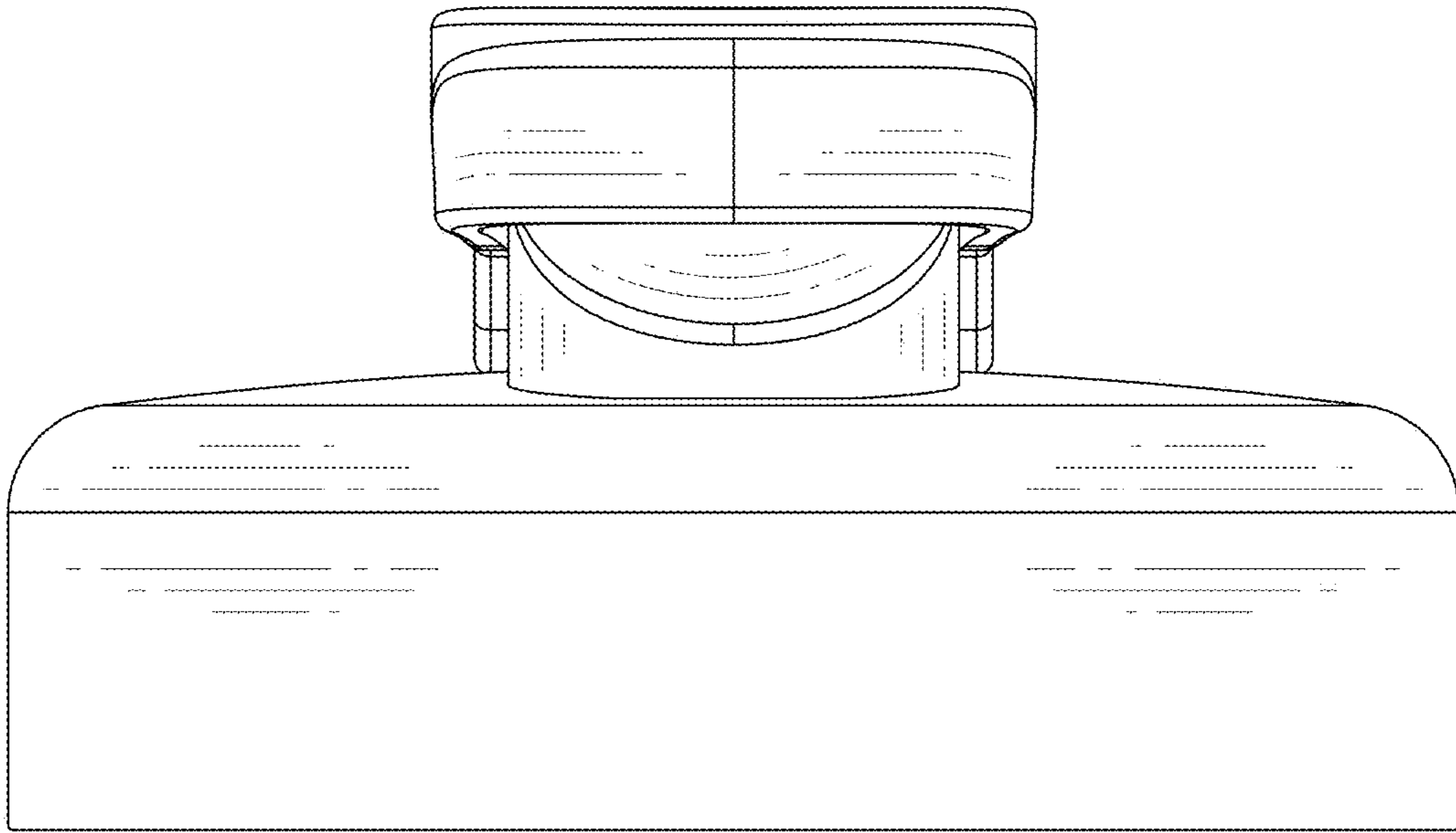


FIG.2

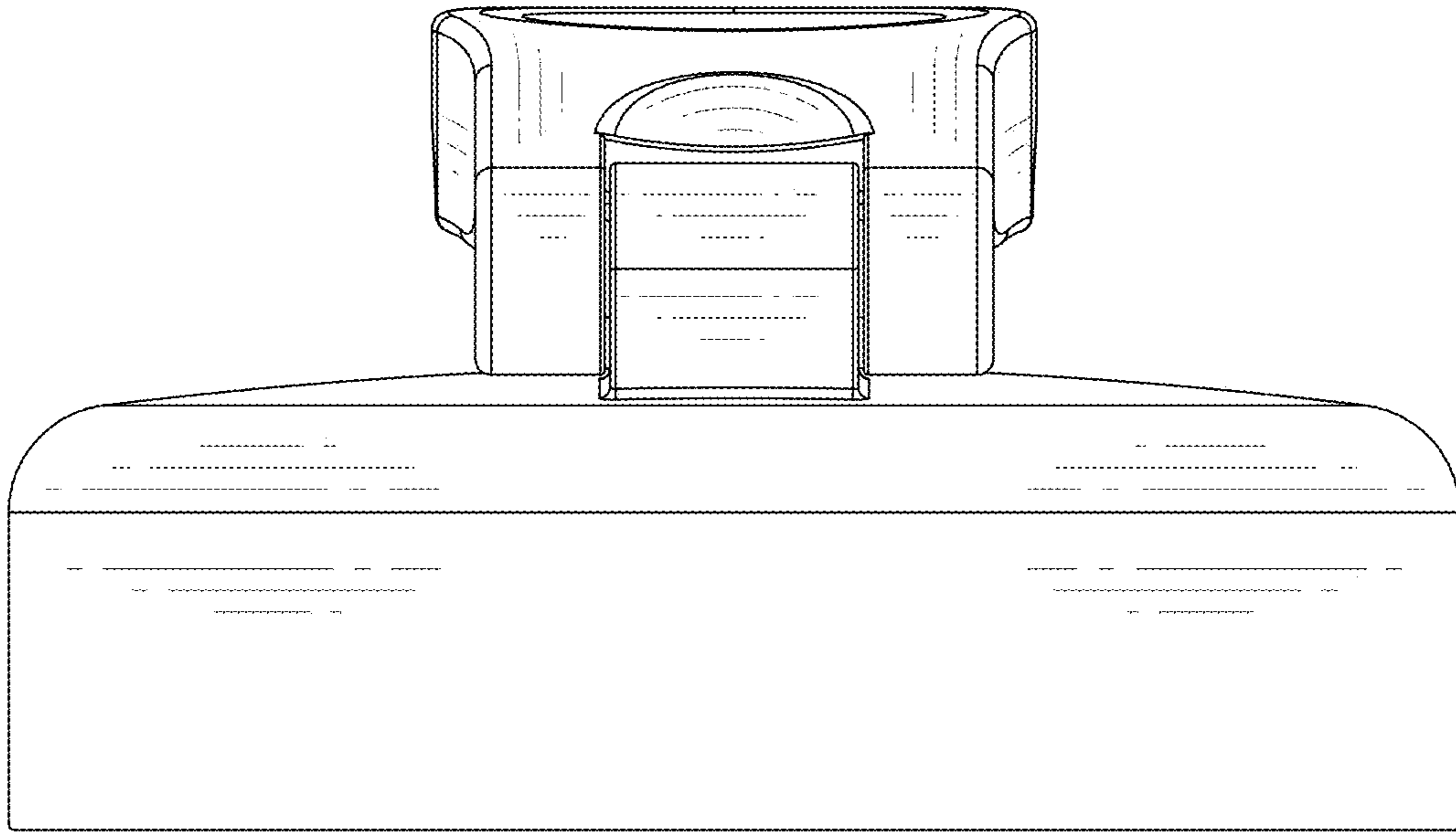


FIG.3

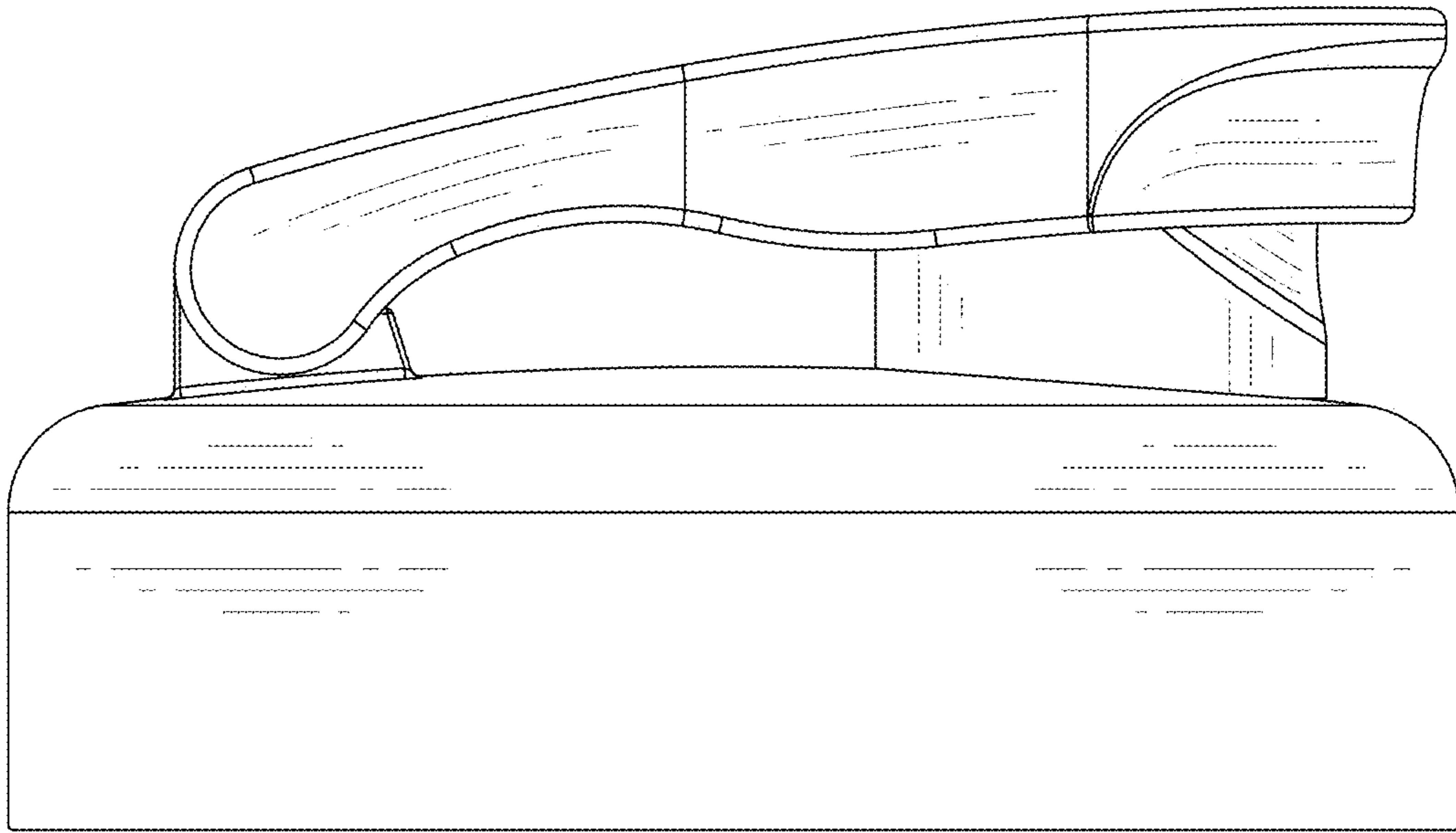


FIG.4

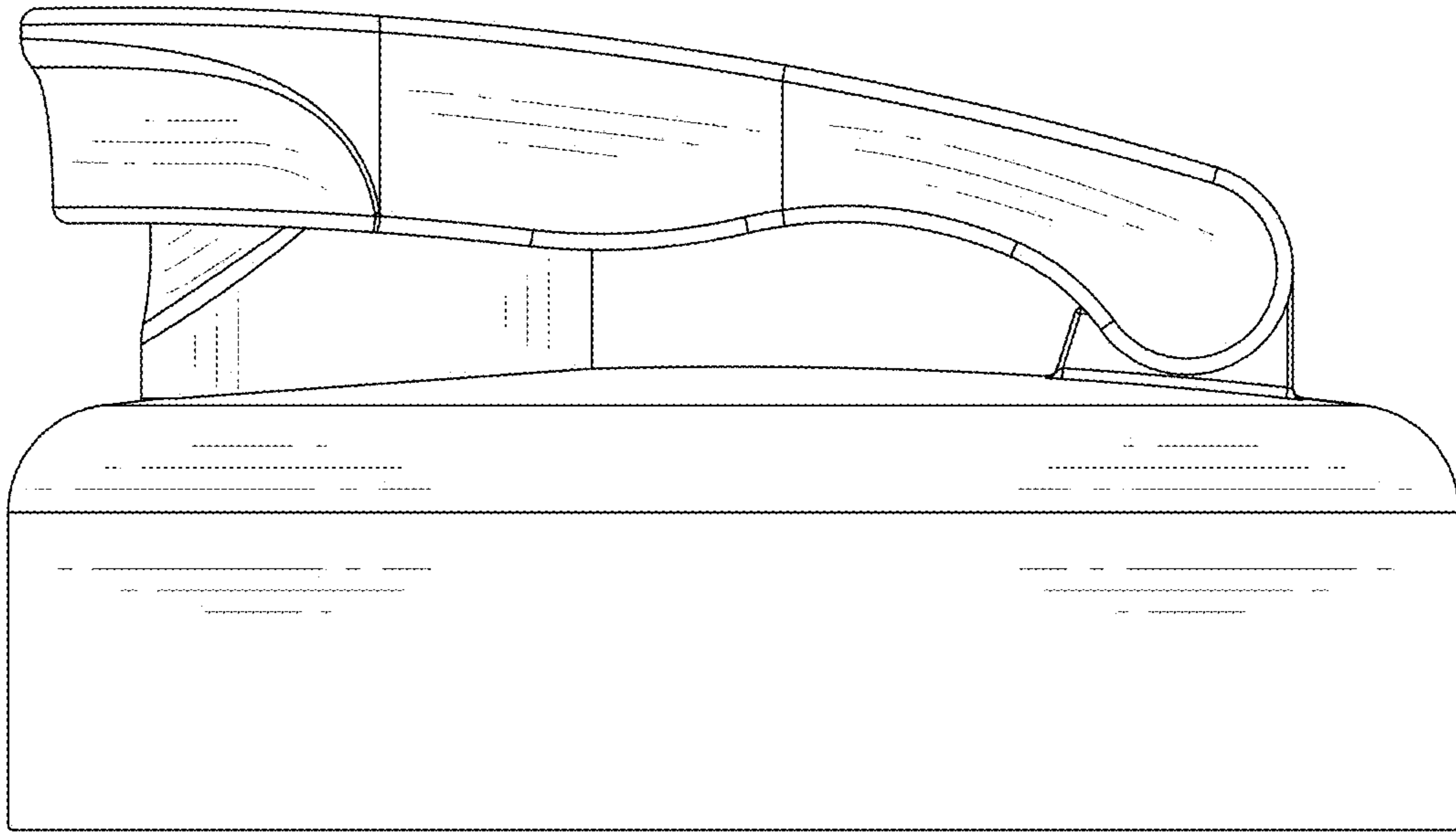


FIG.5

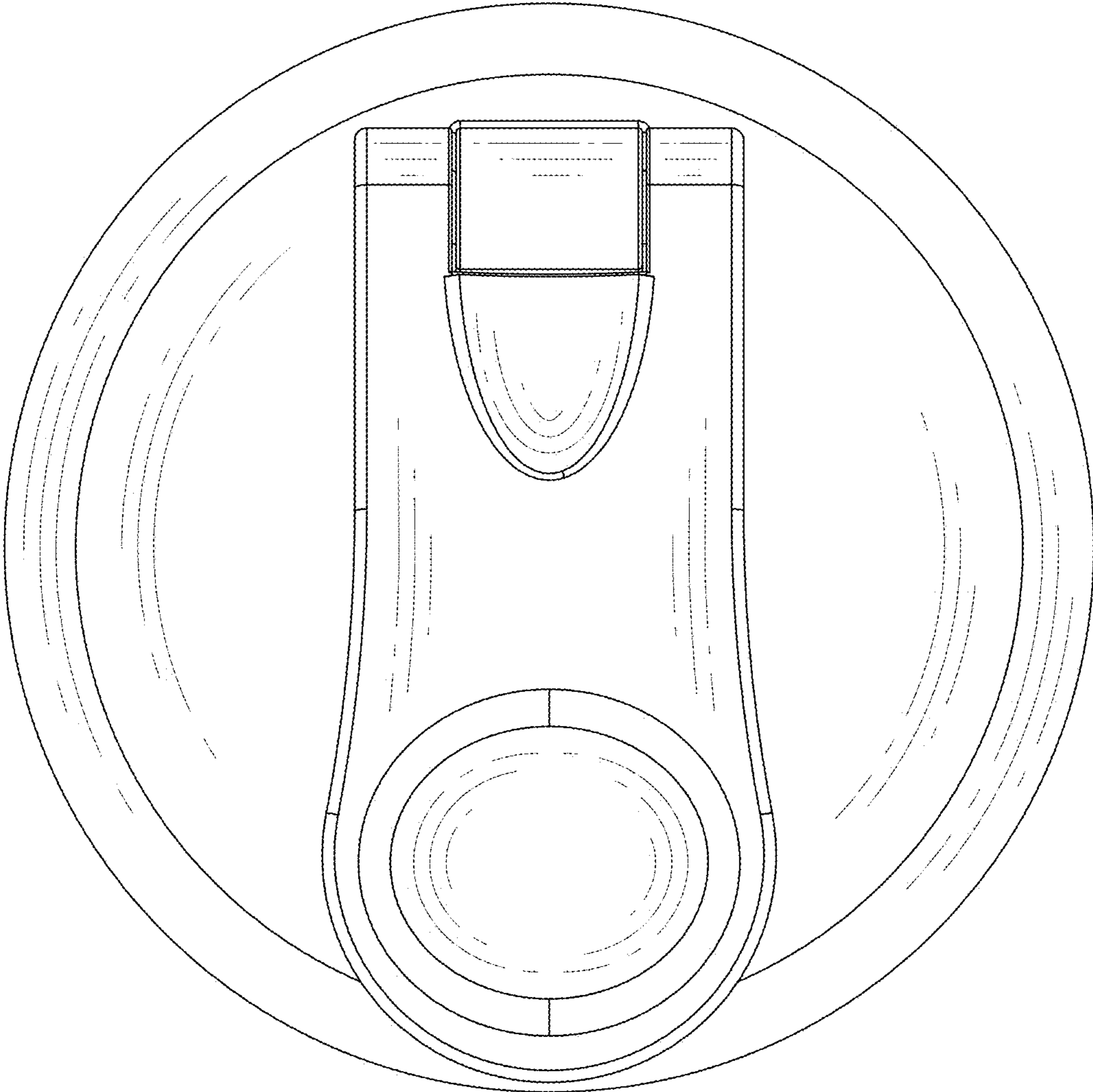


FIG.6

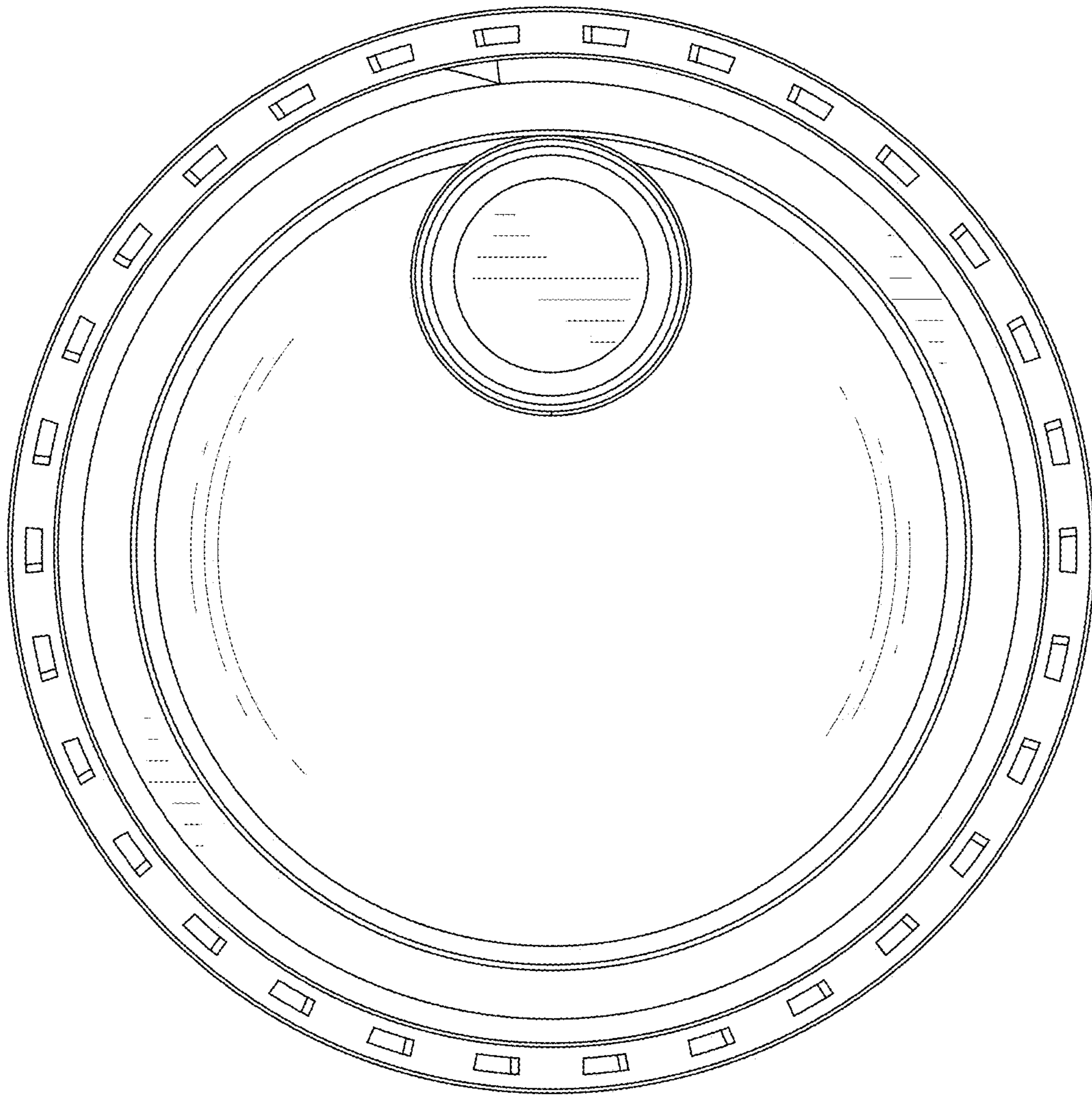


FIG.7

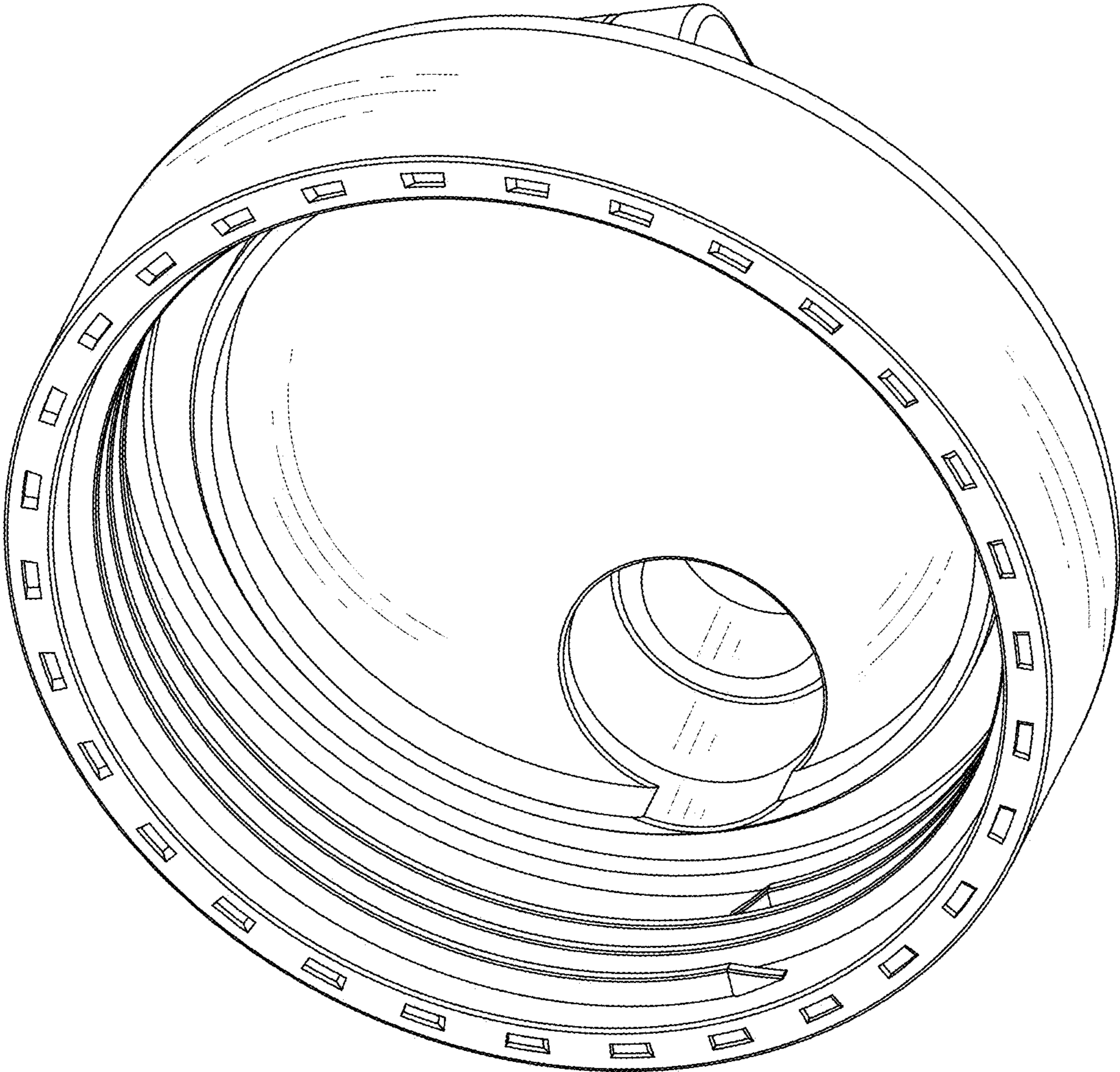


FIG.8

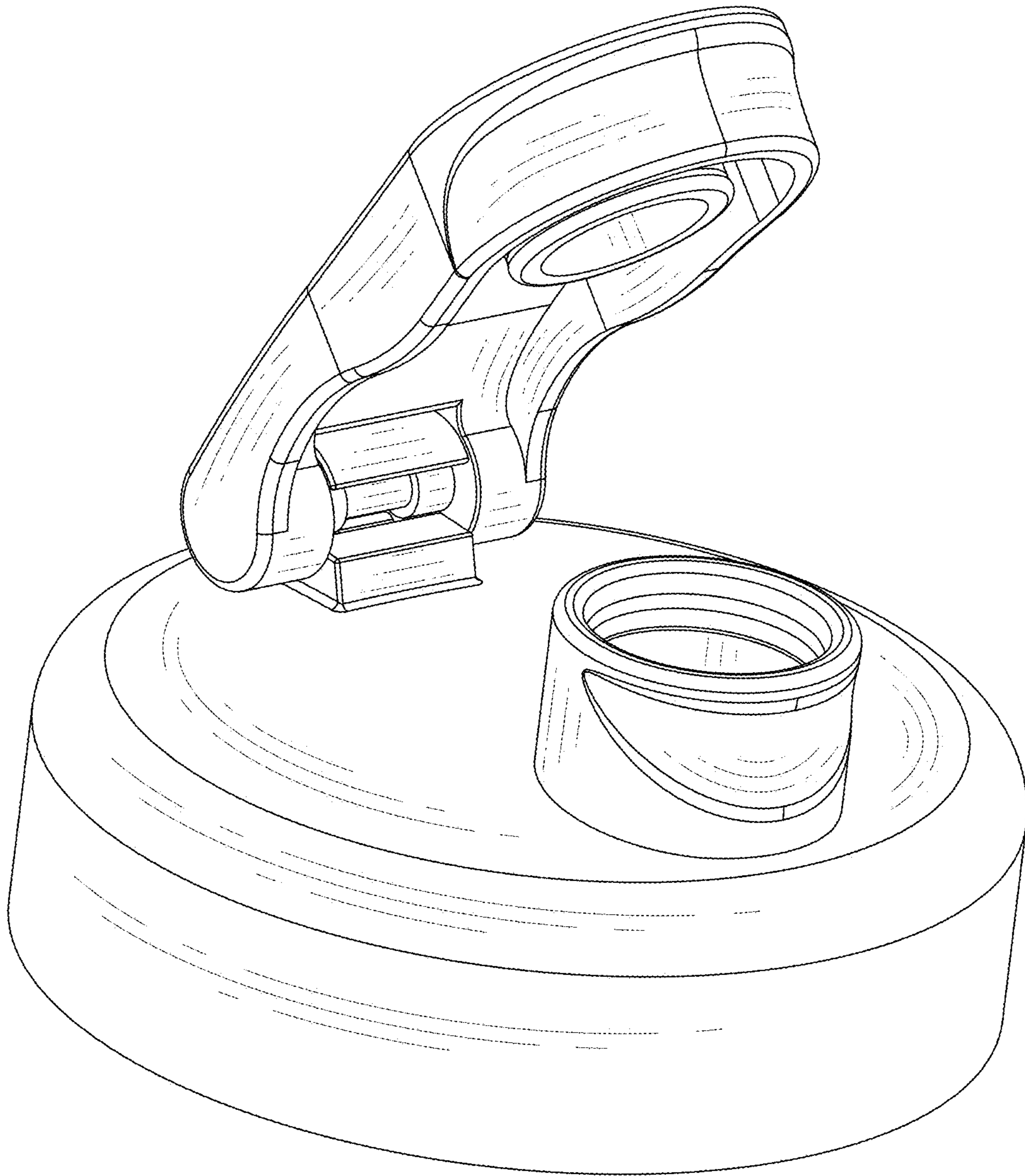


FIG.9