



US00D957875S

(12) **United States Design Patent** (10) **Patent No.:** **US D957,875 S**
Chen et al. (45) **Date of Patent:** **** Jul. 19, 2022**

(54) **BOTTLE CAP**
(71) Applicants: **Xinxing Chen**, Chuzhou (CN); **Guofu Yang**, Nanyang (CN)
(72) Inventors: **Xinxing Chen**, Chuzhou (CN); **Guofu Yang**, Nanyang (CN)
(**) Term: **15 Years**

D904,109 S * 12/2020 Yao D7/392.1
D905,499 S * 12/2020 Zhang D9/450
D906,042 S * 12/2020 Chen D9/450
D911,100 S * 2/2021 Chen D9/450
D917,959 S * 5/2021 Yao D9/516
D917,960 S * 5/2021 Yao D9/516
D922,819 S * 6/2021 Wang D9/450
D924,000 S * 7/2021 Chen D7/392.1
D930,427 S * 9/2021 Ayres D7/392.1
D931,042 S * 9/2021 Burga D7/392.1
D935,264 S * 11/2021 Kutlug D7/392.1
D938,778 S * 12/2021 Ge D9/450
D940,501 S * 1/2022 Burga D7/392.1

(Continued)

(21) Appl. No.: **29/735,135**
(22) Filed: **May 19, 2020**

(51) **LOC (13) Cl.** **07-02**
(52) **U.S. Cl.**
USPC **D7/392.1**

(58) **Field of Classification Search**
USPC D7/387, 391, 392, 392.1, 396.1, 396.2, D7/397; D9/434, 435, 436, 443, 447, D9/448, 449, 439, 440, 454
CPC A45F 3/18; C02F 2201/3222; B65D 2251/0003; B65D 2251/0015; B65D 2251/0078; B65D 2251/08; B65D 47/0885; B65D 47/0876; A47G 19/2272
See application file for complete search history.

(56) **References Cited**

U.S. PATENT DOCUMENTS

D811,162 S * 2/2018 Rane D9/449
D868,534 S * 12/2019 Lin D7/392.1
D872,522 S * 1/2020 Diener D9/449
D872,524 S * 1/2020 Bo D7/392.1
D886,517 S * 6/2020 Bo D7/392.1
D887,776 S * 6/2020 Bo D7/392.1
D893,245 S * 8/2020 Zhang D7/392.1
D894,671 S * 9/2020 Huang D9/450
D894,672 S * 9/2020 Huang D9/450
D897,761 S * 10/2020 Zhang D9/450
D899,848 S * 10/2020 Zhang D9/450
D899,850 S * 10/2020 Xie D7/392.1
D900,539 S * 11/2020 Yao D7/392.1
D903,405 S * 12/2020 Zhang D7/392.1

OTHER PUBLICATIONS

Bluego Insulated Stainless Steel Water bottle: Announced Jun. 30, 2021 (online). Site Visited [May 7, 2022]. Available from Internet URL: https://www.amazon.com/Insulated-Stainless-Straw-Spout-Handle-Leak-Proof-Flask-Black/dp/B098D6KS42/ref=sr_1_1_sspa?crid=12U57X3AGNIC%E2%80%A6+1%2F13&th=1.*

(Continued)

Primary Examiner — Catherine S Posthauer

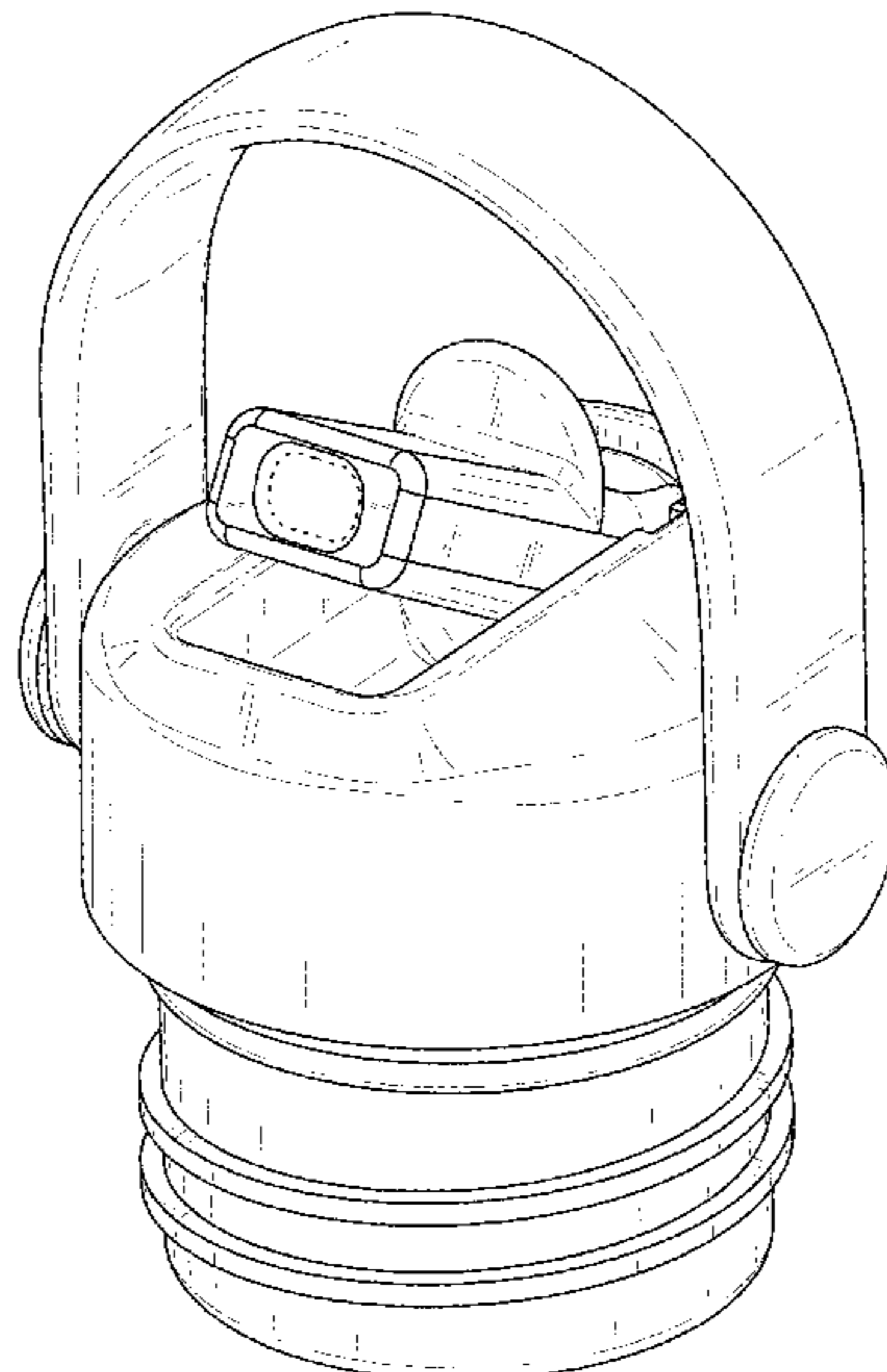
(57) **CLAIM**

The ornamental design for a bottle cap, as shown and described.

DESCRIPTION

FIG. 1 is a perspective view of a bottle cap showing my new design;
FIG. 2 is a front elevational view thereof;
FIG. 3 is a rear elevational view thereof;
FIG. 4 is a left side elevational view thereof;
FIG. 5 is a right side elevational view thereof;
FIG. 6 is a top plan view thereof; and,
FIG. 7 is a bottom plan view thereof.
The broken lines in the figures depict the portions of the bottle cap that form no part of the claimed design.

1 Claim, 7 Drawing Sheets



(56)

References Cited

U.S. PATENT DOCUMENTS

D944,053 S * 2/2022 Yao D7/392.1
2022/0033148 A1 * 2/2022 Filiau B65D 47/305

OTHER PUBLICATIONS

Flakbottle Straw Lid for Hydroflask: Announced [Aug. 14, 2021 (online)]. Site Visited [May 6, 2022]. Available from Internet URL: https://www.amazon.com/FLAKBOTTLE-Standard-Bottle-Flexible-Hydroflask/dp/B09CLY416R/ref=sr_1_50?crid=2G8EQD7E4KK4W&keywords=Repla%E2%80%A6+1%2F7&th=1.*

Glink Stainless Steel Water Bottle with Straw: Announced [Jul. 7, 2020 (online)]. Site Visited [May 6, 2022]. Available from Internet URL: https://www.amazon.com/Glink-Stainless-Insulated-Leakproof-Rotating/dp/B09FL9Y542/ref=sr_1_2?crid=12U57X3AGNICM&keywords=Replacemen%E2%80%A6%201/10.*

* cited by examiner

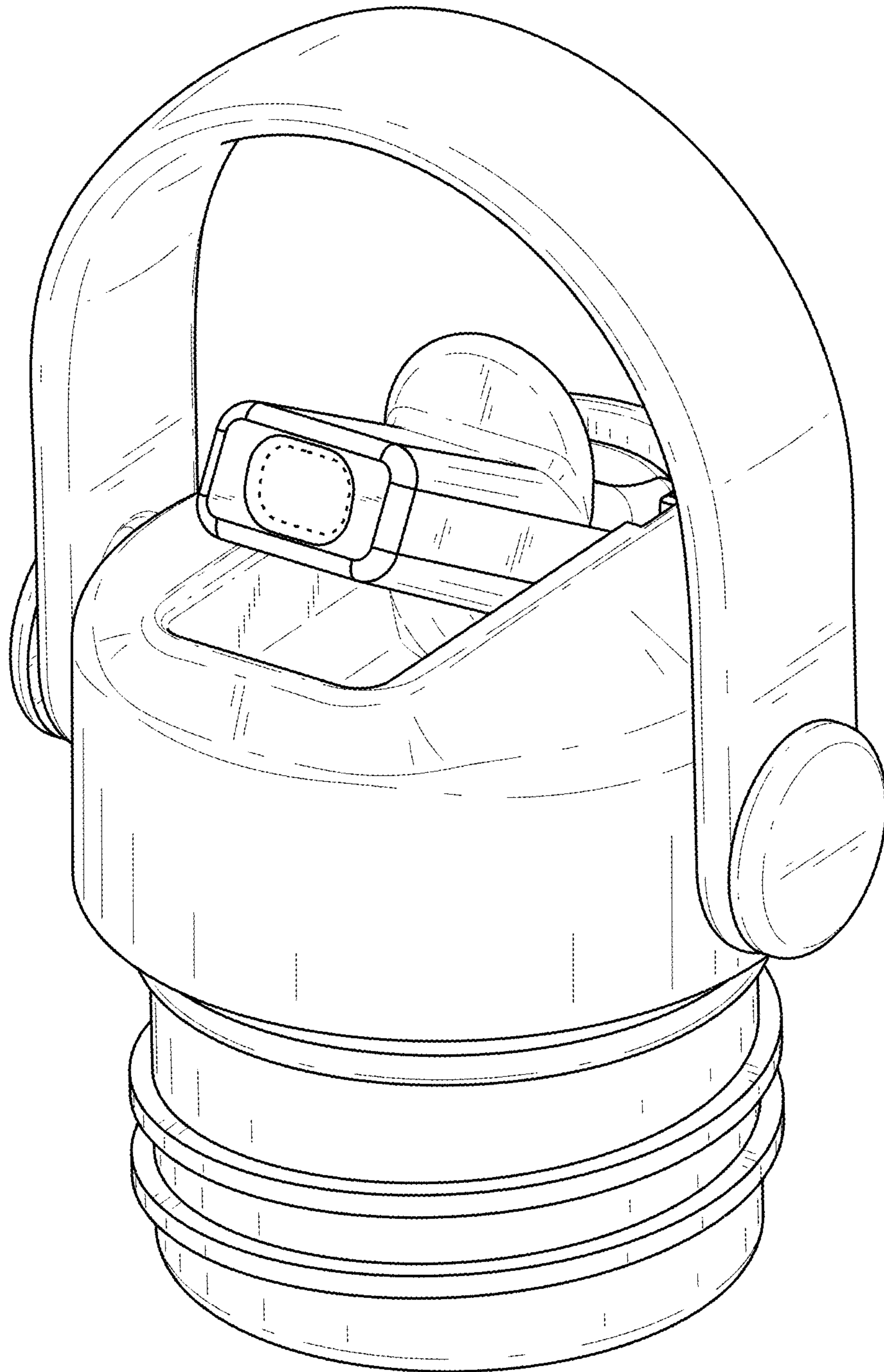


FIG. 1

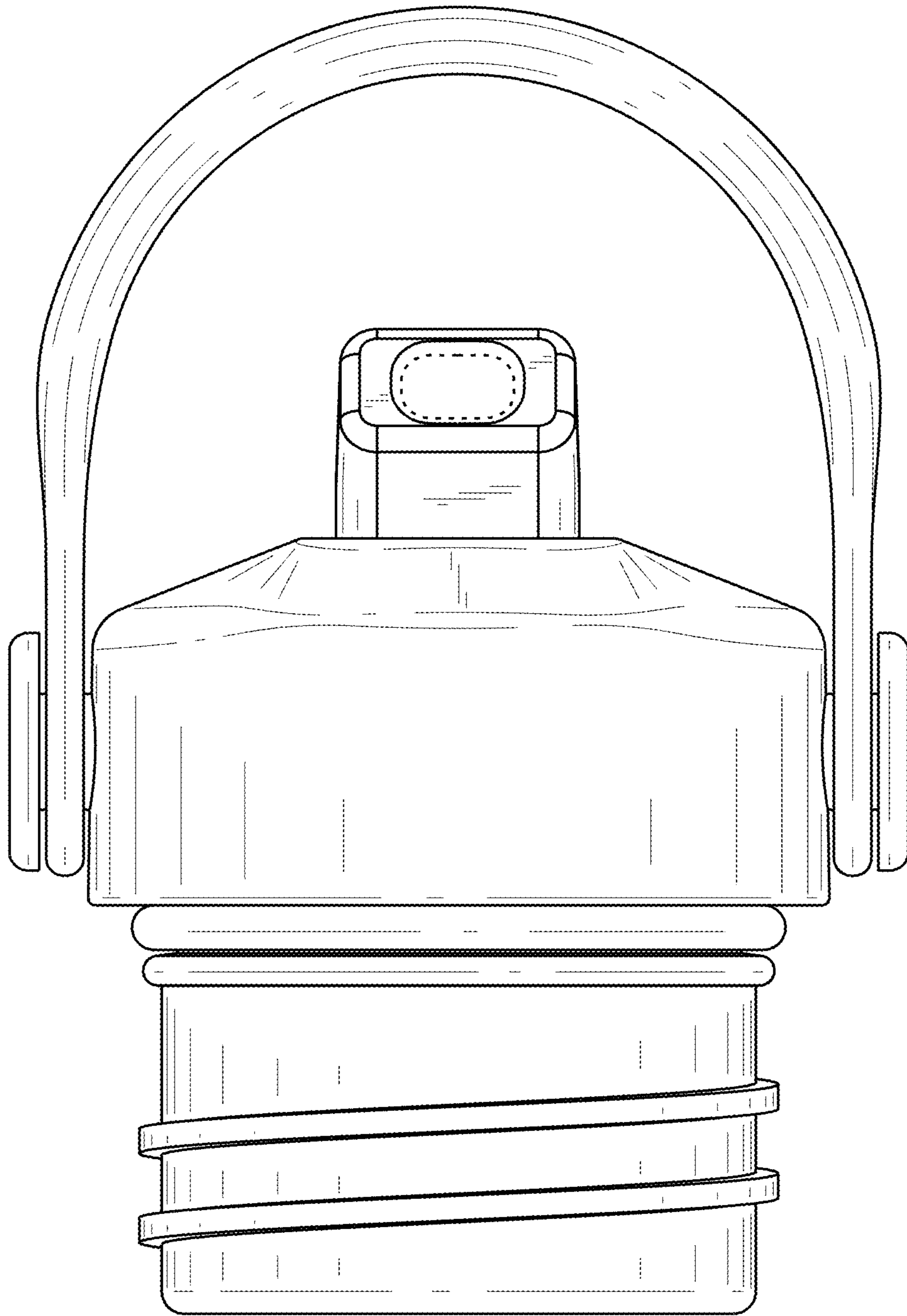


FIG. 2

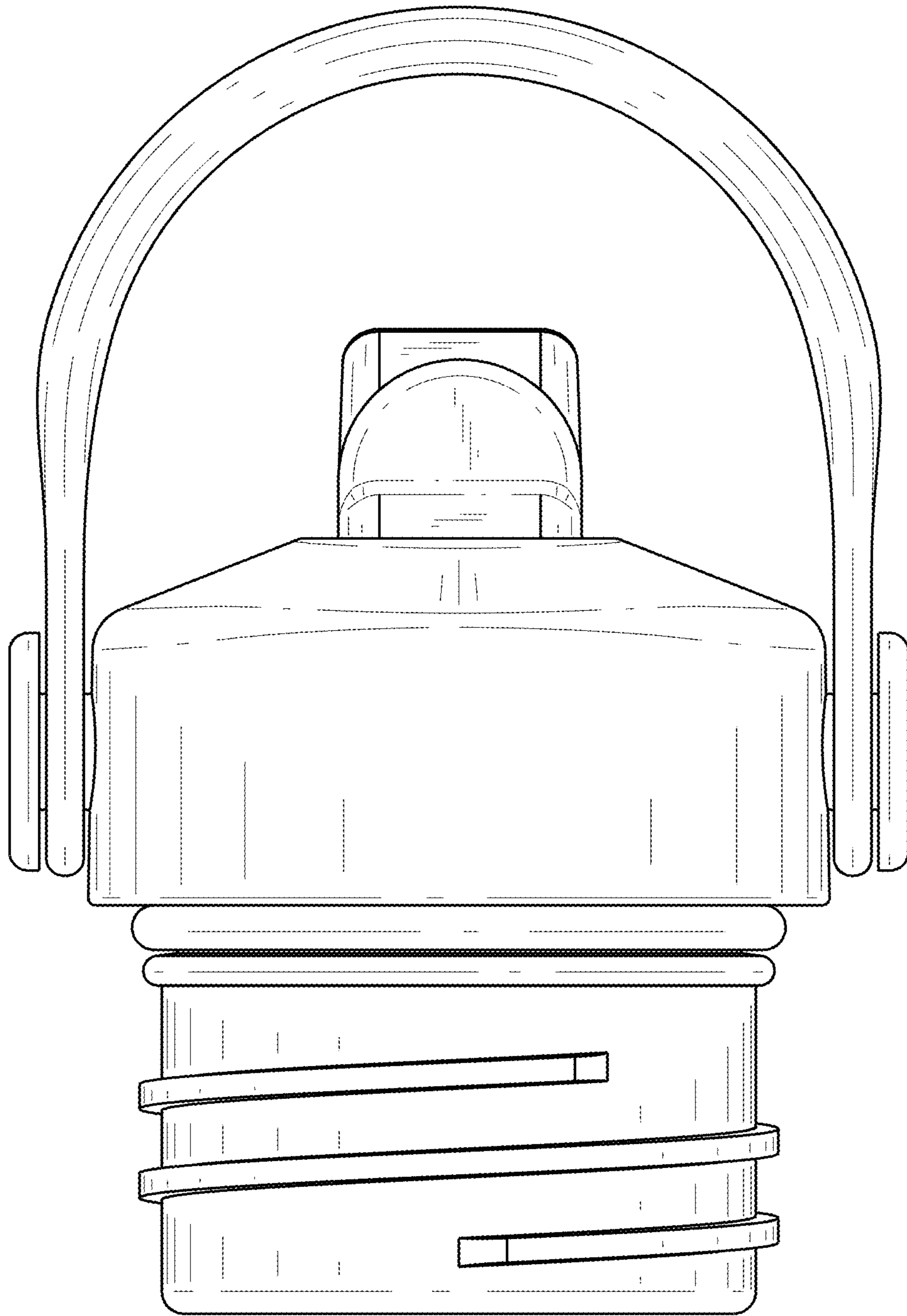


FIG. 3

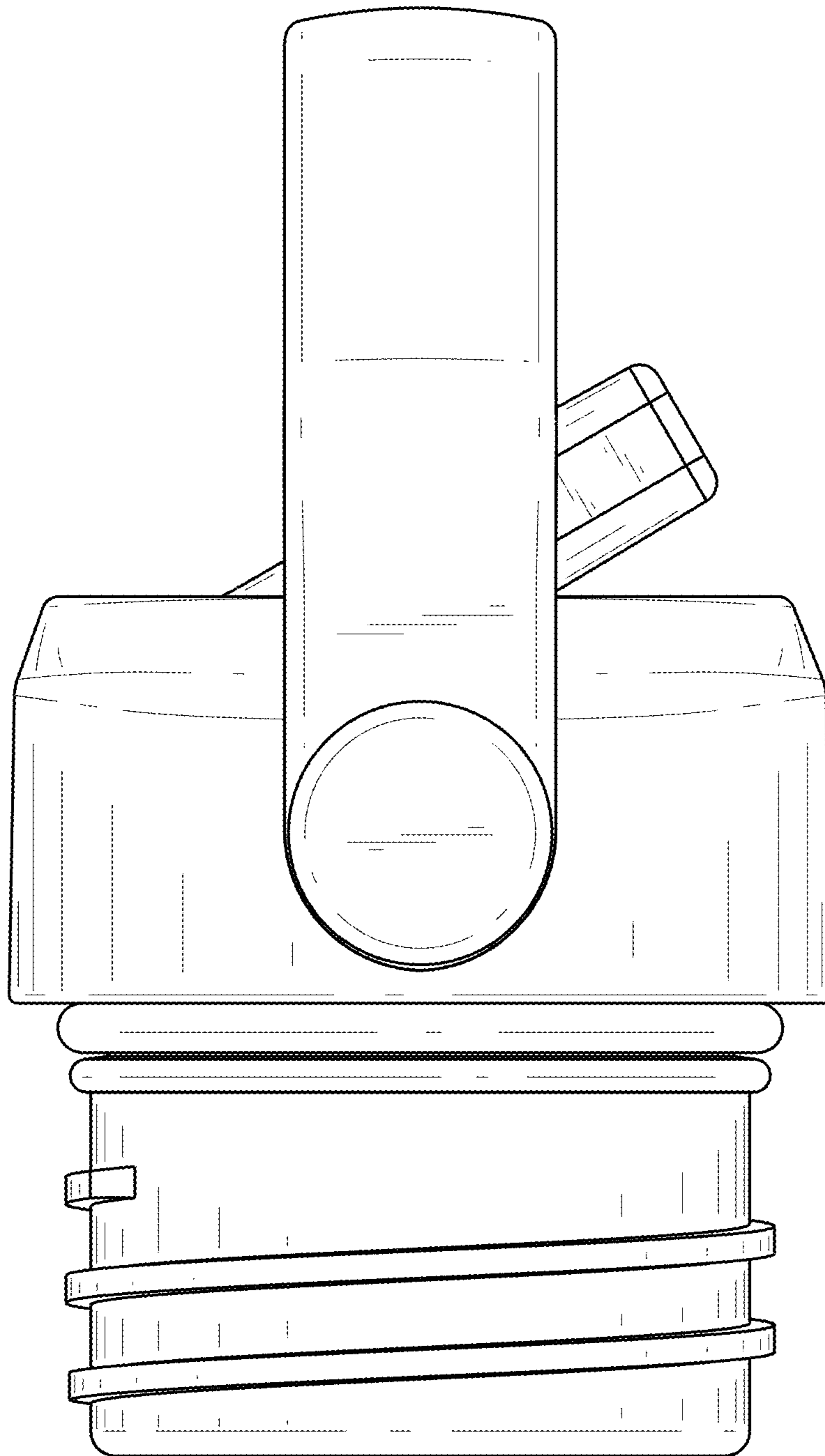


FIG. 4

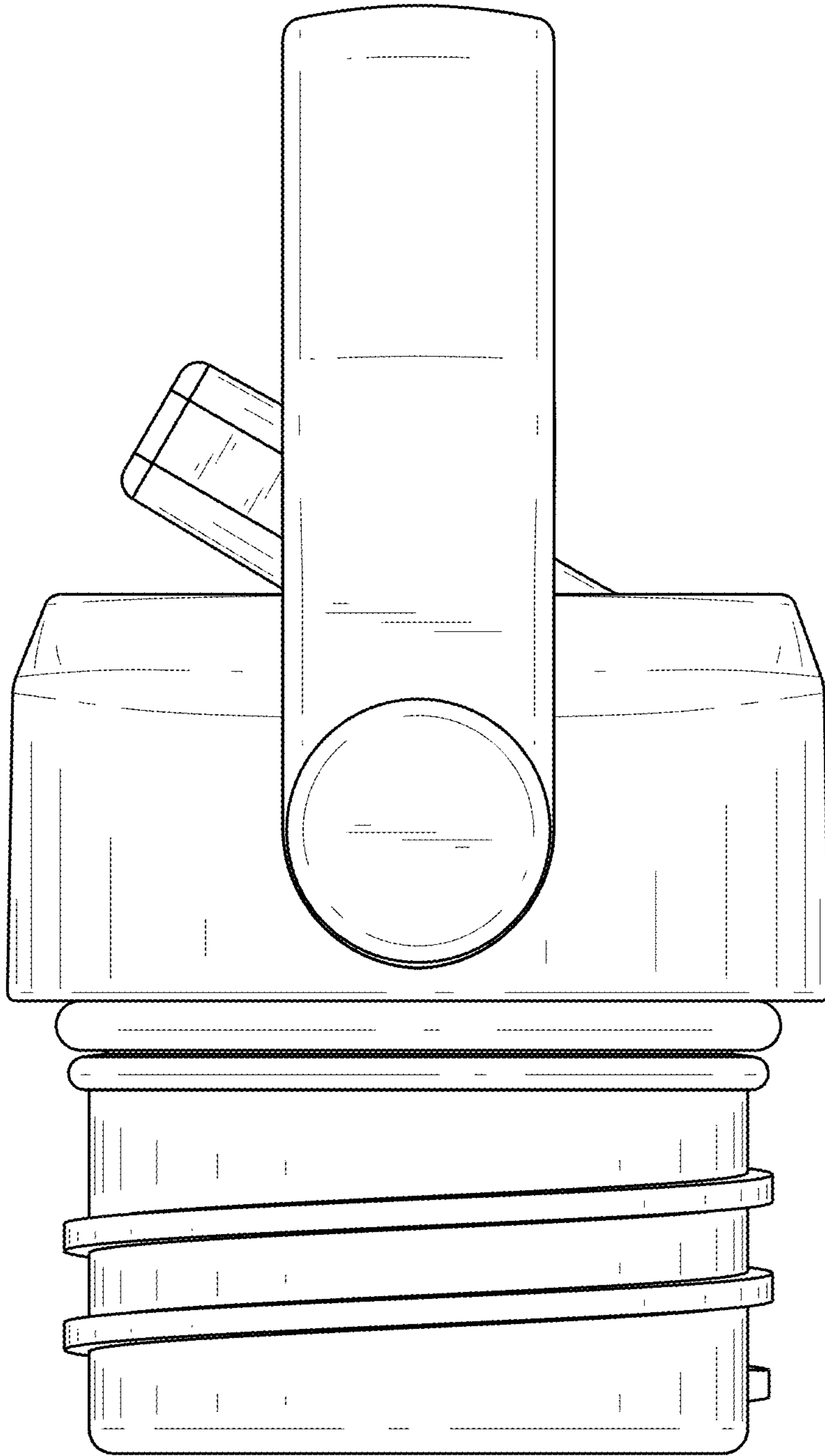


FIG. 5

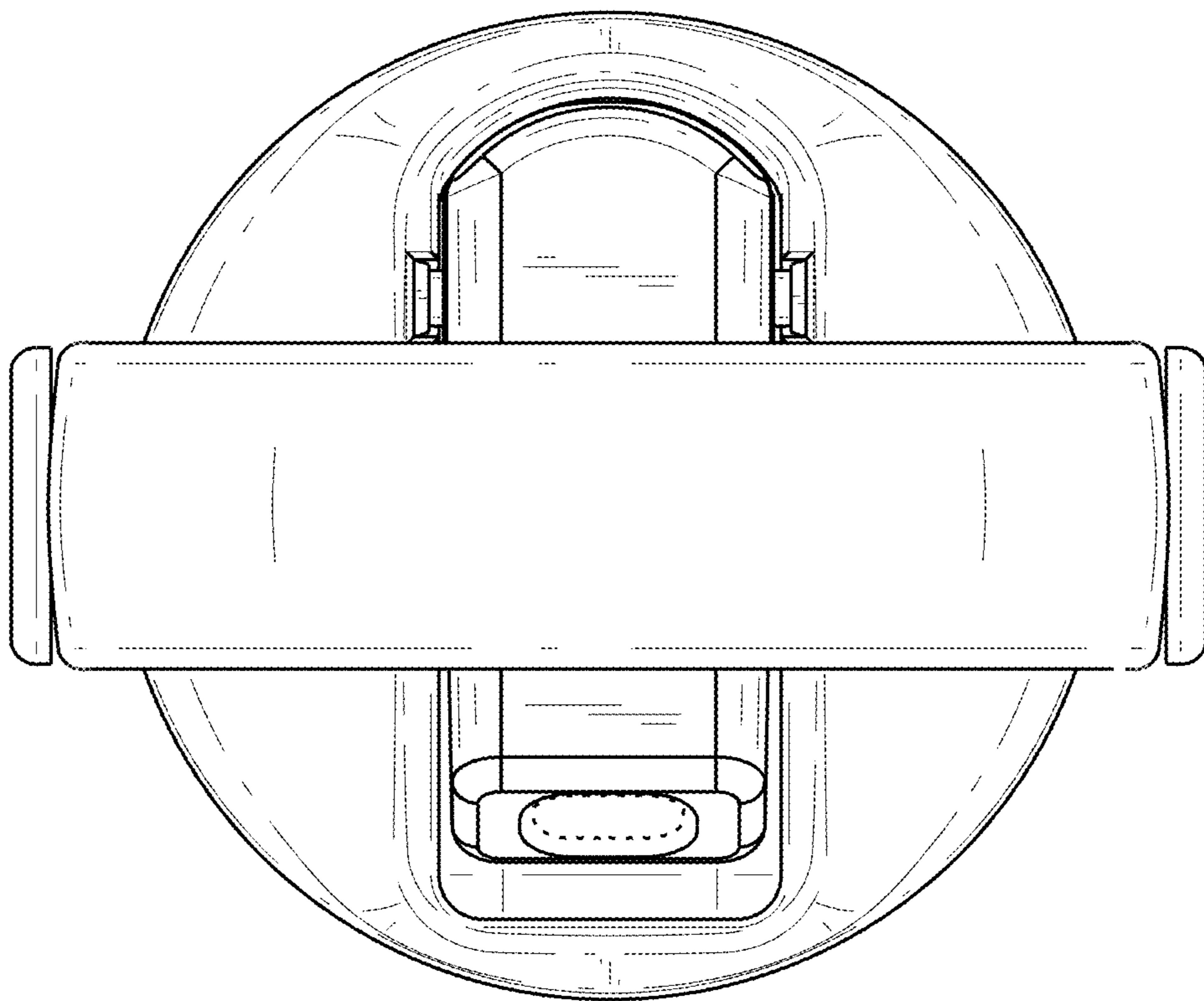


FIG. 6

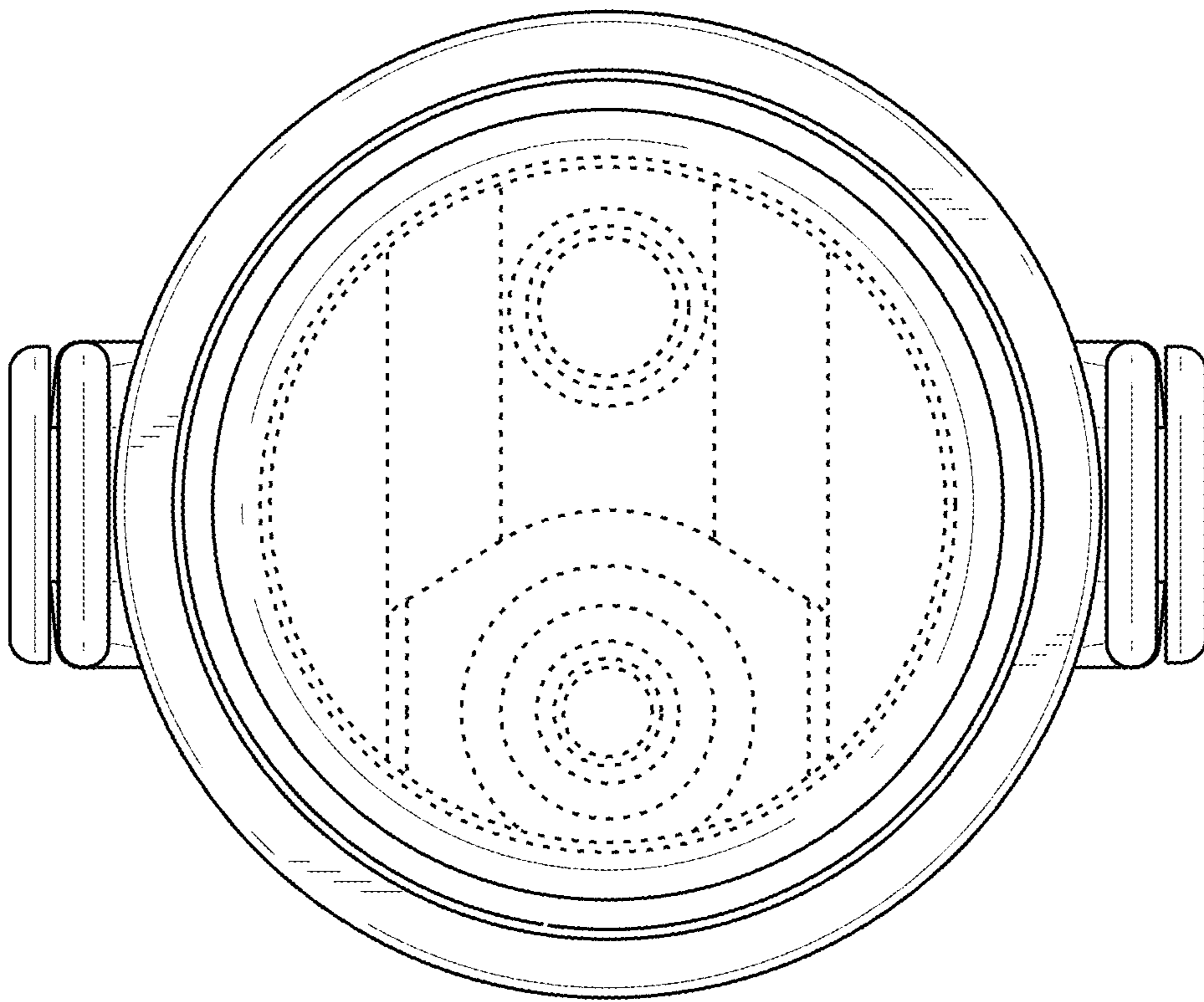


FIG. 7