



US00D957874S

(12) **United States Design Patent** (10) **Patent No.:** **US D957,874 S**
Ames (45) **Date of Patent:** **** Jul. 19, 2022**

(54) **BOTTLE CHUG LID**
(71) Applicant: **Real Value LLC**, Norman, OK (US)
(72) Inventor: **Micah Ames**, Oklahoma City, OK (US)
(73) Assignee: **Real Value LLC**, Moore, OK (US)
(**) Term: **15 Years**

D620,357 S 7/2010 Jewett et al.
D648,177 S 11/2011 Eyal
D658,450 S * 5/2012 Ying D7/608
D672,238 S 12/2012 Aziz et al.
D672,609 S 12/2012 Aziz et al.
D700,012 S 2/2014 Hurley et al.
D723,333 S 3/2015 Lin
D724,385 S 3/2015 Hurley et al.
(Continued)

(21) Appl. No.: **29/677,350**
(22) Filed: **Jan. 18, 2019**
(51) **LOC (13) Cl.** **07-99**
(52) **U.S. Cl.**
USPC **D7/392.1; D9/443; D9/453**
(58) **Field of Classification Search**
USPC D9/434, 435, 438-441, 443-454, 499,
D9/503-505, 682, 685, 686; D7/387,
D7/391, 392, 392.1, 393, 394, 396.1,
D7/396.2, 506, 507, 510, 511, 533, 534,
D7/900; D3/202, 203.2, 294, 318;
D28/91, 91.1
CPC .. A61J 1/00; A61J 1/1412; B65D 1/00; B65D
1/02; B65D 1/10; B65D 1/46; B65D
5/46; B65D 41/00; B65D 41/38; B65D
41/56; B65D 41/62; B65D 47/00; B65D
47/06; B65D 47/08; B65D 2251/00;
B65D 2543/00046; B65D 2543/00092;
B65D 2543/00296
See application file for complete search history.

(56) **References Cited**
U.S. PATENT DOCUMENTS
2,723,040 A * 11/1955 Merolle B65D 41/28
215/334
4,310,102 A * 1/1982 Walter B65D 41/083
220/288
D364,810 S * 12/1995 Meisner D9/446
D471,455 S * 3/2003 Laveault D9/443
D538,165 S * 3/2007 Rittman D9/452
D571,665 S * 6/2008 Sanders D7/511

OTHER PUBLICATIONS

Amazon.com "Simple Modern Ascent Chug Lid" (online) date first available Jan. 16, 2019. Retrieved from Internet on Dec. 16, 2021, URL: <https://www.amazon.com/Simple-Modern-Ascent-Chug-Lid/dp/B07J3QRGQQ?th=1> (9 pages). (Year: 2019).*

Primary Examiner — Wendy L Arminio
(74) *Attorney, Agent, or Firm* — Hall Estill Law Firm

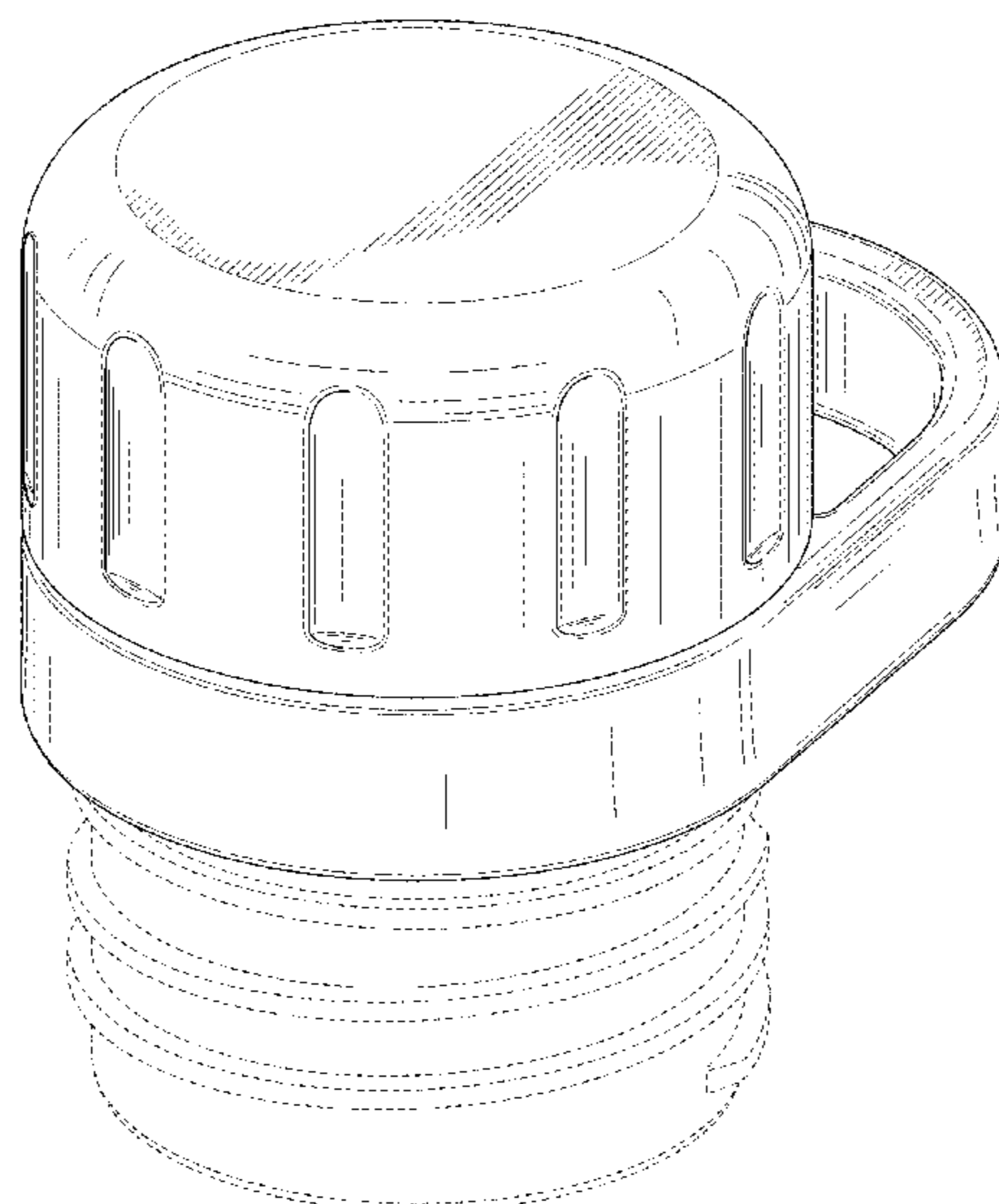
(57) **CLAIM**

The ornamental design for a bottle chug lid, as shown and described.

DESCRIPTION

FIG. 1 is a perspective view of my new design of a bottle chug lid.
FIG. 2 is a front side elevation view of FIG. 1.
FIG. 3 is a rear side elevation view of view of FIG. 1.
FIG. 4 is a right side elevation view of FIG. 1.
FIG. 5 is left side elevation view of FIG. 1.
FIG. 6 is a top view of FIG. 1.
FIG. 7 is a bottom view of FIG. 1; and,
FIG. 8 is a perspective view of the bottle chug lid of FIG. 1, shown in a condition of use on an unclaimed bottle drawn in broken lines.
The broken lines in FIG. 8 illustrating a bottle depict environmental structure and form no part of the claimed design. All other broken lines depict portions of the bottle chug lid that form no part of the claimed design.

1 Claim, 8 Drawing Sheets



(56)

References Cited

U.S. PATENT DOCUMENTS

D774,826 S *	12/2016	Boroski	D7/511	D831,426 S *	10/2018	Best	D7/511
D786,012 S *	5/2017	Hein	D7/396.2	10,112,742 B1 *	10/2018	Circosta	B65D 41/0414
D787,935 S	5/2017	Kaiser			D839,673 S *	2/2019	Meyers	D7/510
D787,939 S *	5/2017	Lam	D9/556	D841,398 S *	2/2019	Gauss	D7/511
D789,148 S *	6/2017	Hornung	D7/511	D842,030 S *	3/2019	Meyers	D7/396.2
D790,920 S	7/2017	Goodwin et al.			D867,061 S *	11/2019	Best	D9/452
D791,549 S	7/2017	Goodwin et al.			D867,062 S *	11/2019	Meyers	D7/396.2
D808,220 S	1/2018	Burns et al.			D872,535 S *	1/2020	Eyal	D7/510
D808,226 S *	1/2018	Bradley	D7/510	D889,973 S *	7/2020	Burns	D9/549
D809,384 S *	2/2018	Best	D9/443	D897,763 S *	10/2020	Feng	D7/392.1
D809,920 S	2/2018	Maple			D901,250 S *	11/2020	McCabe	D7/511
D810,504 S	2/2018	Goodwin et al.			D902,647 S *	11/2020	McCabe	D9/443
D811,818 S	3/2018	Wu			D907,440 S *	1/2021	Sheehan	D7/511
D812,428 S	3/2018	Wu			D913,745 S *	3/2021	Nichols	D9/453
D813,681 S *	3/2018	Burns	D9/549	D917,957 S *	5/2021	Yao	D7/392
D815,908 S	4/2018	Kauss et al.			D926,580 S *	8/2021	Burns	D9/504
D821,136 S *	6/2018	Silsby	D7/392.1	D931,681 S *	9/2021	McCabe	D7/510
D821,150 S *	6/2018	Liao	D7/510	2017/0127859 A1 *	5/2017	Hornung	A45F 3/18
D822,439 S	7/2018	Spivey et al.			2018/0029762 A1 *	2/2018	Eyal	B65D 55/16
					2018/0099792 A1 *	4/2018	Jacobsen	B65D 47/06
					2020/0391913 A1 *	12/2020	Ames	A45F 3/18

* cited by examiner

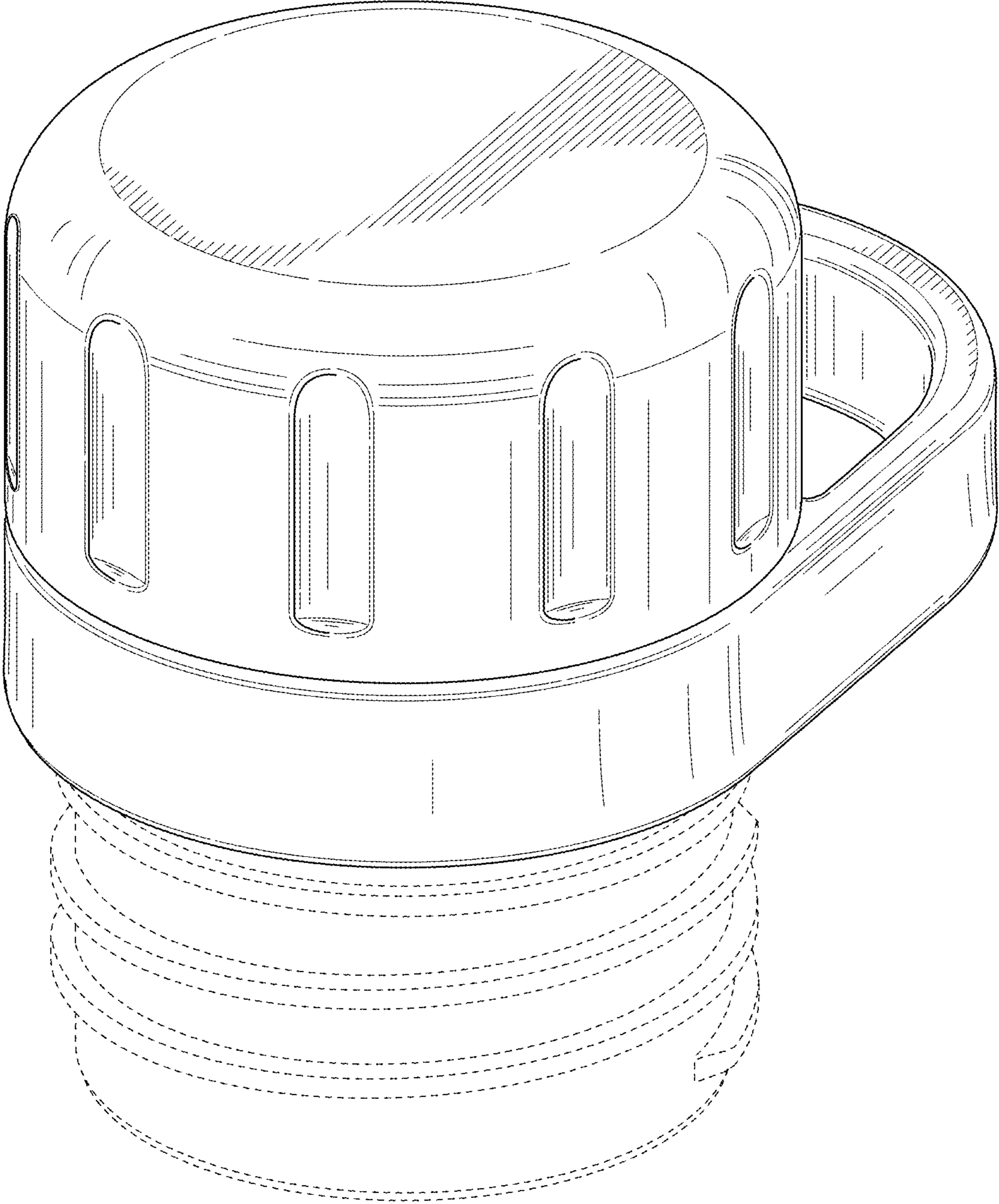


FIG. 1

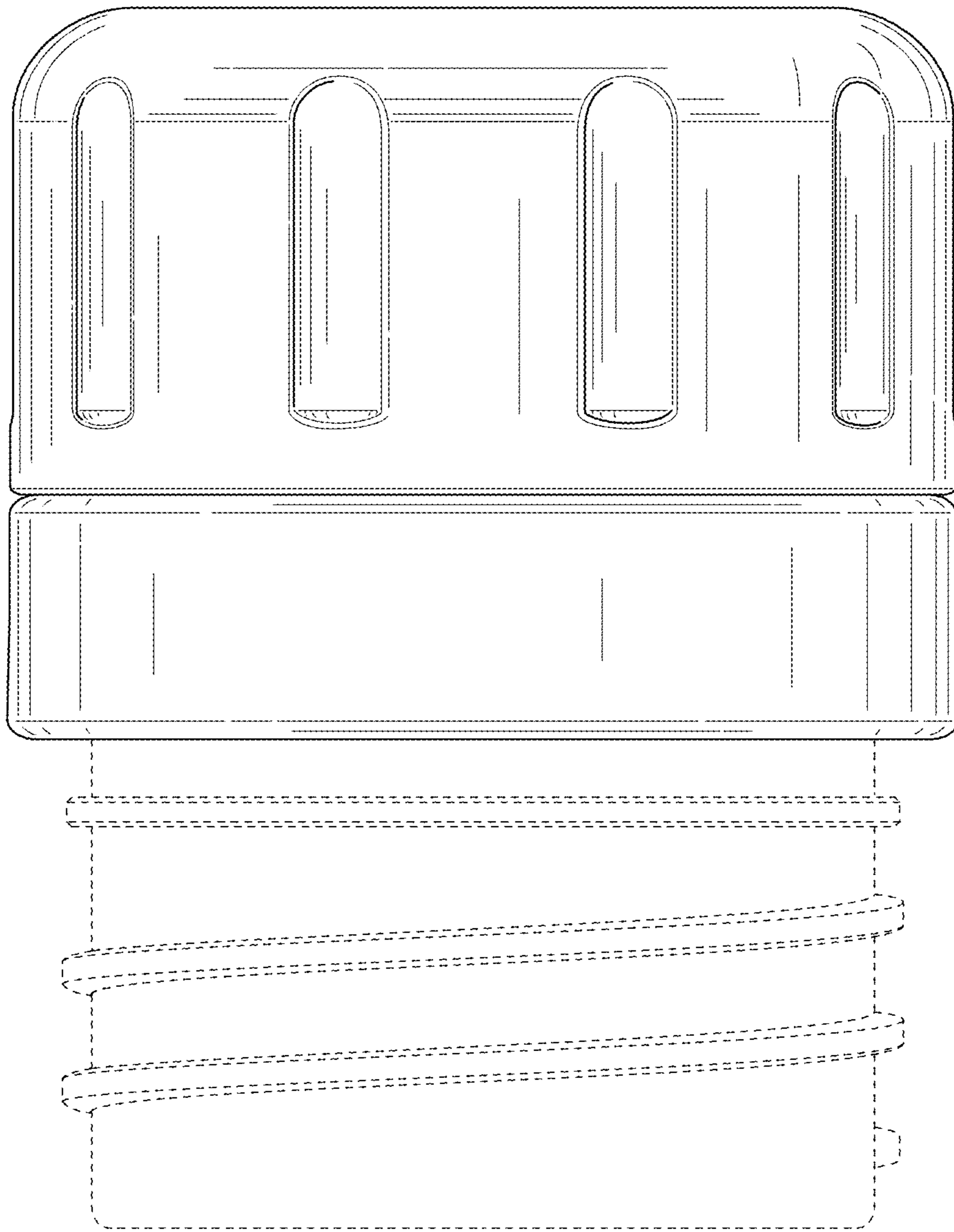


FIG. 2

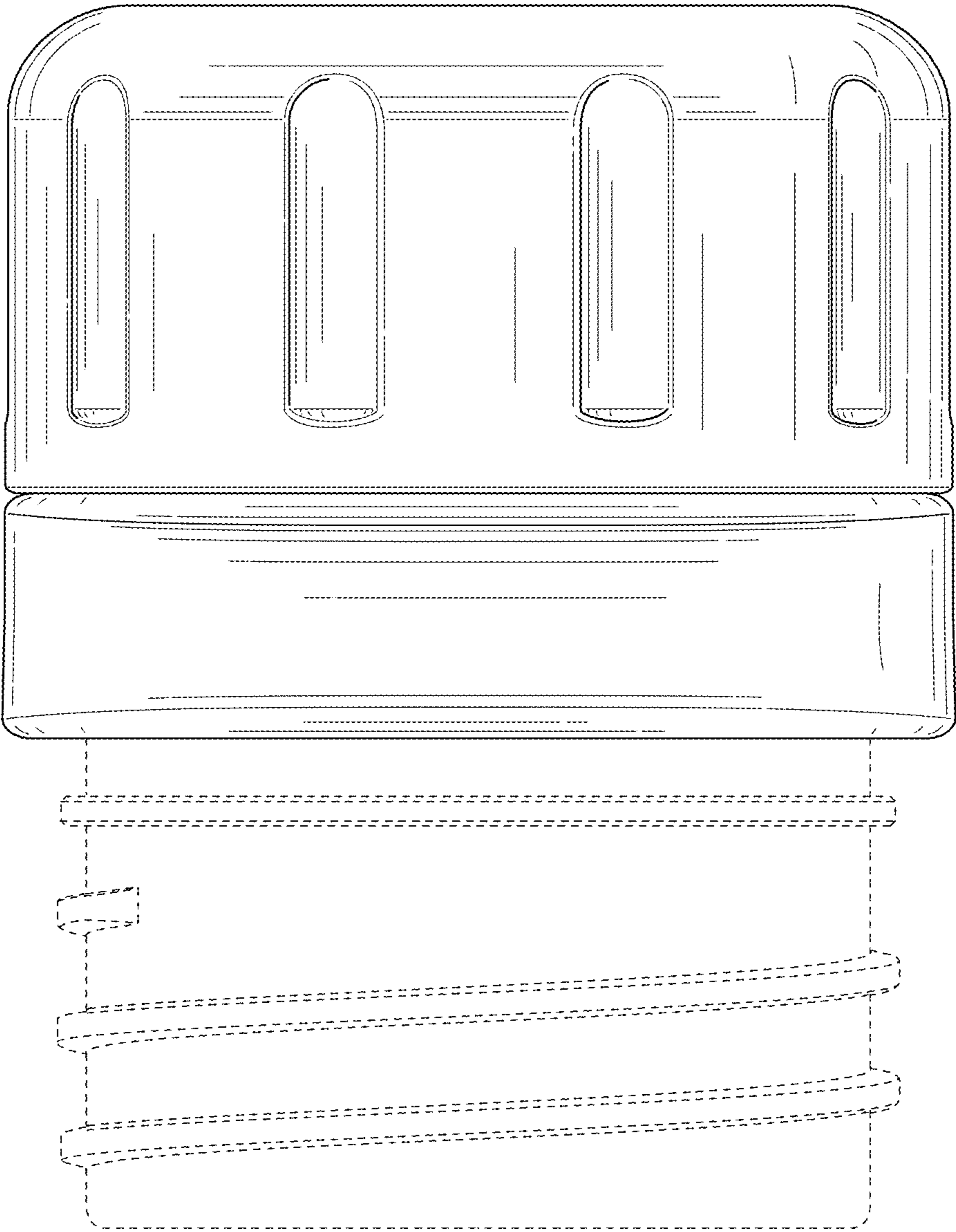


FIG. 3

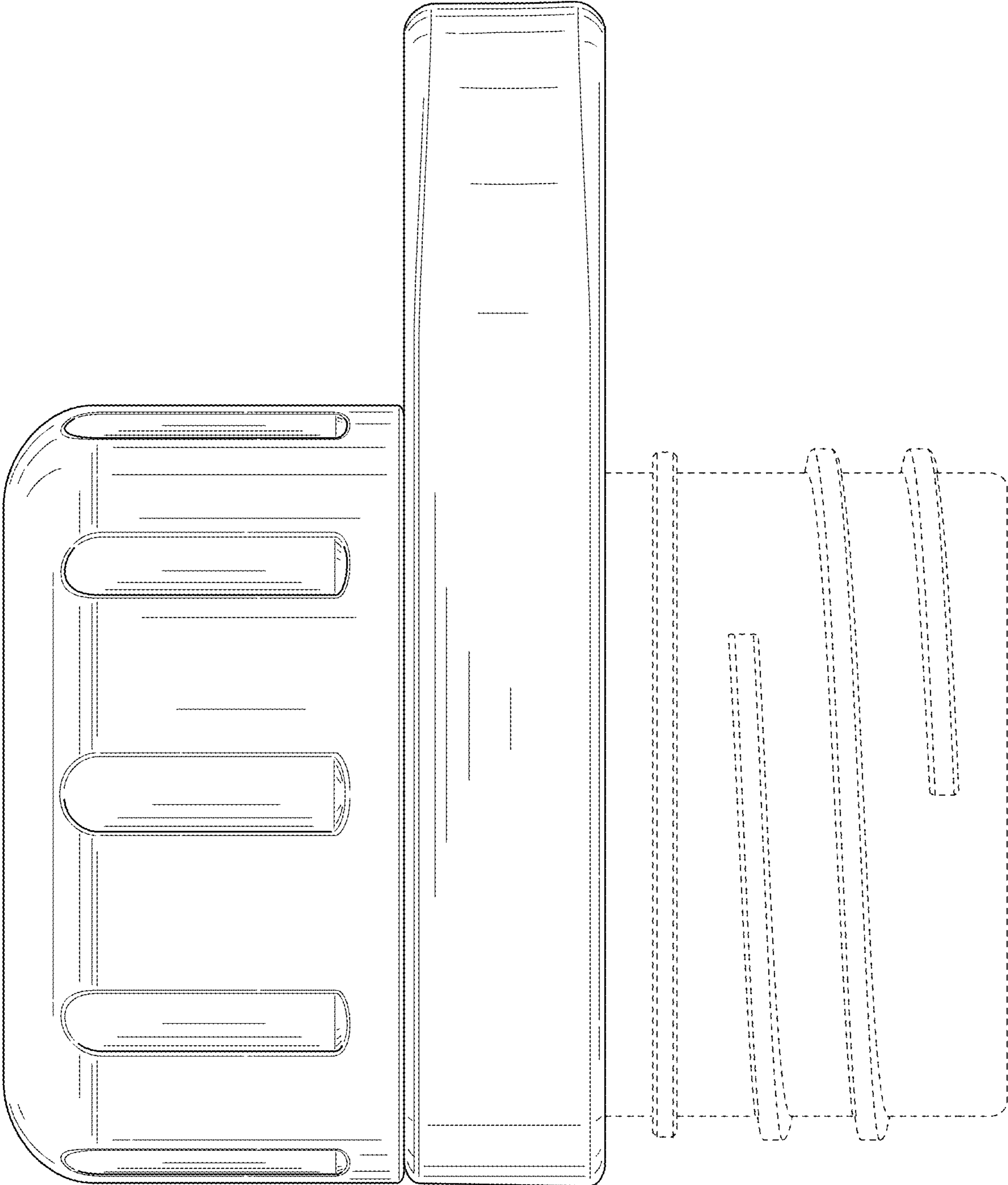


FIG. 4

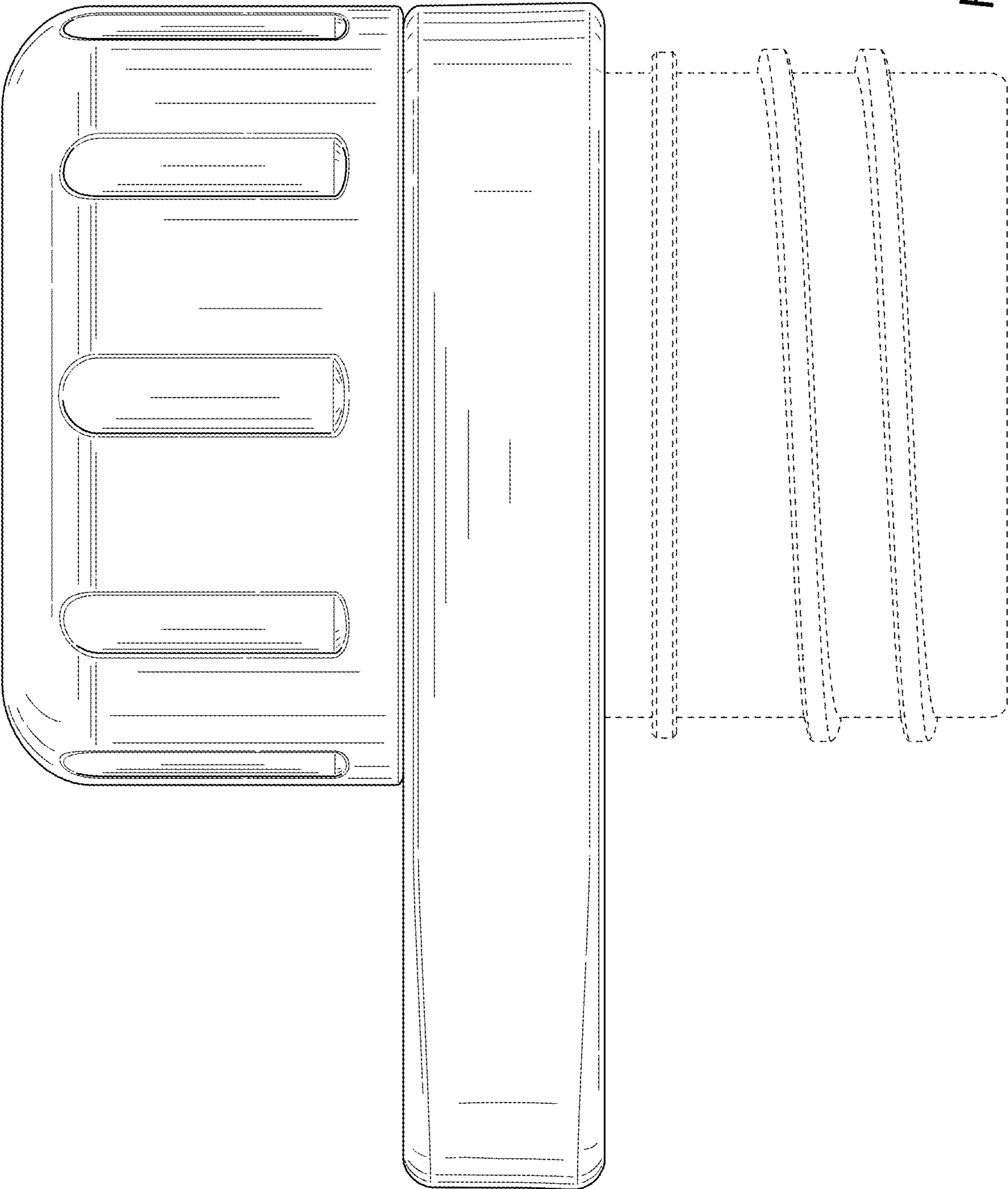


FIG. 5

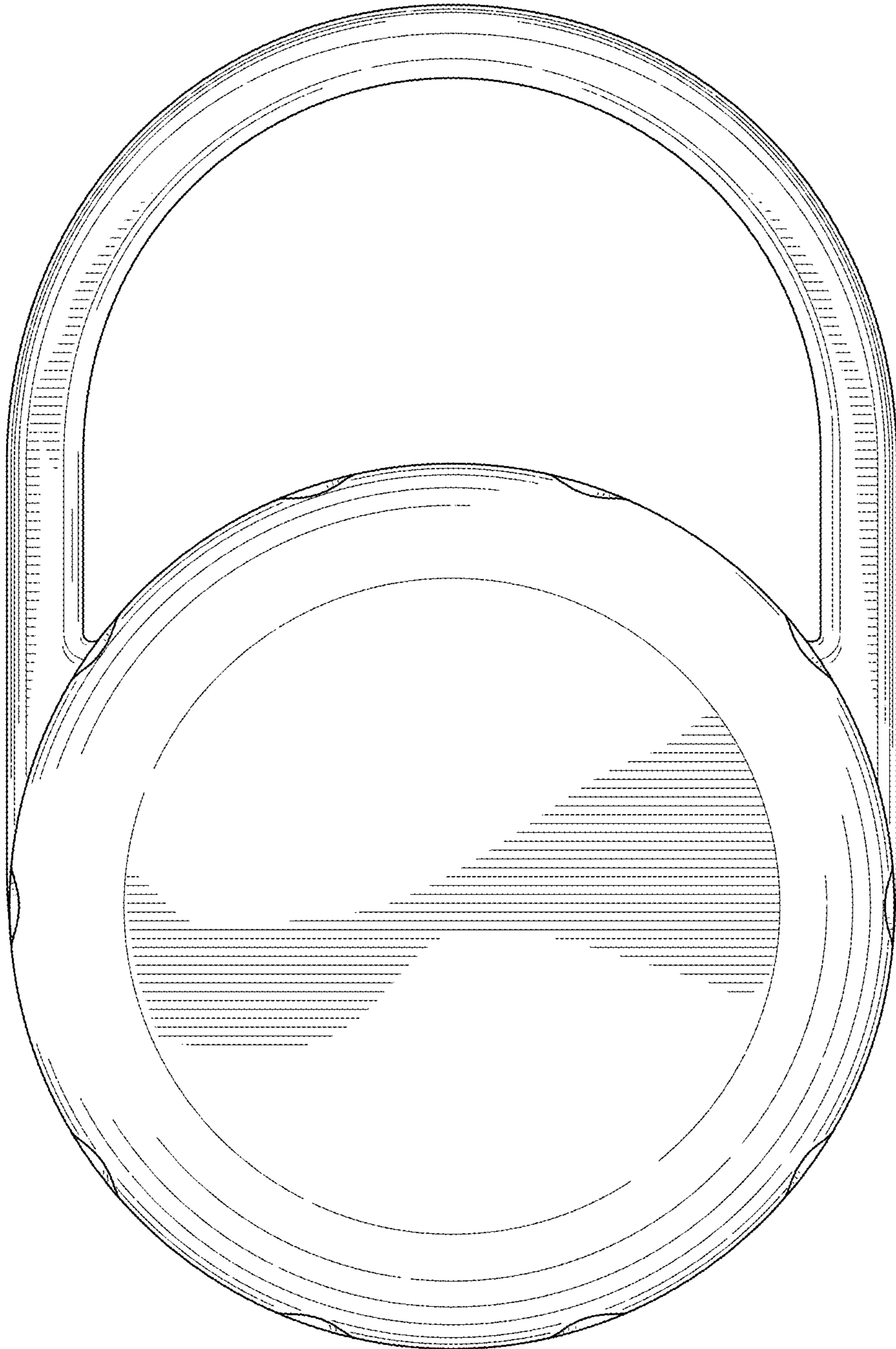


FIG. 6

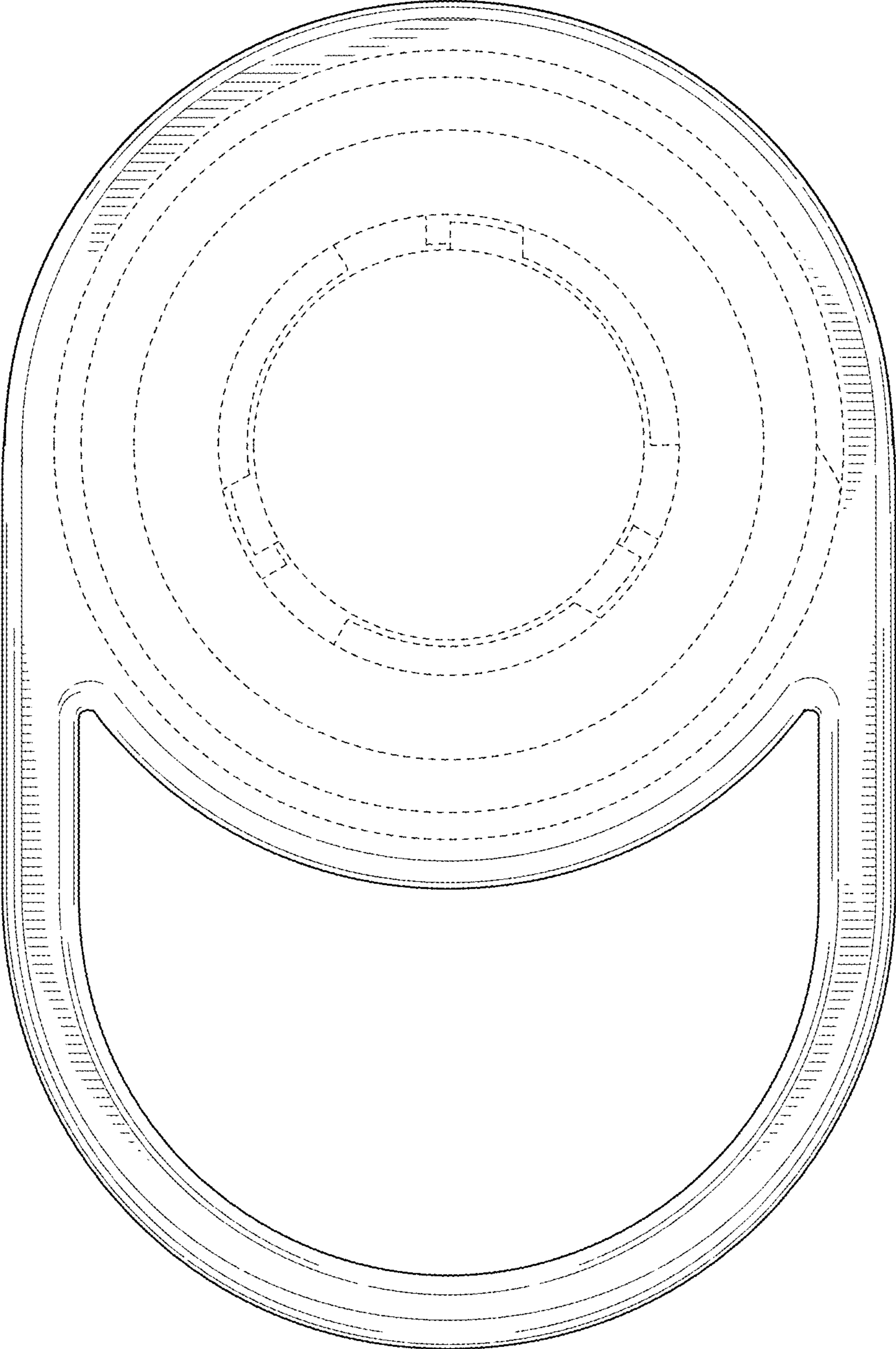


FIG. 7

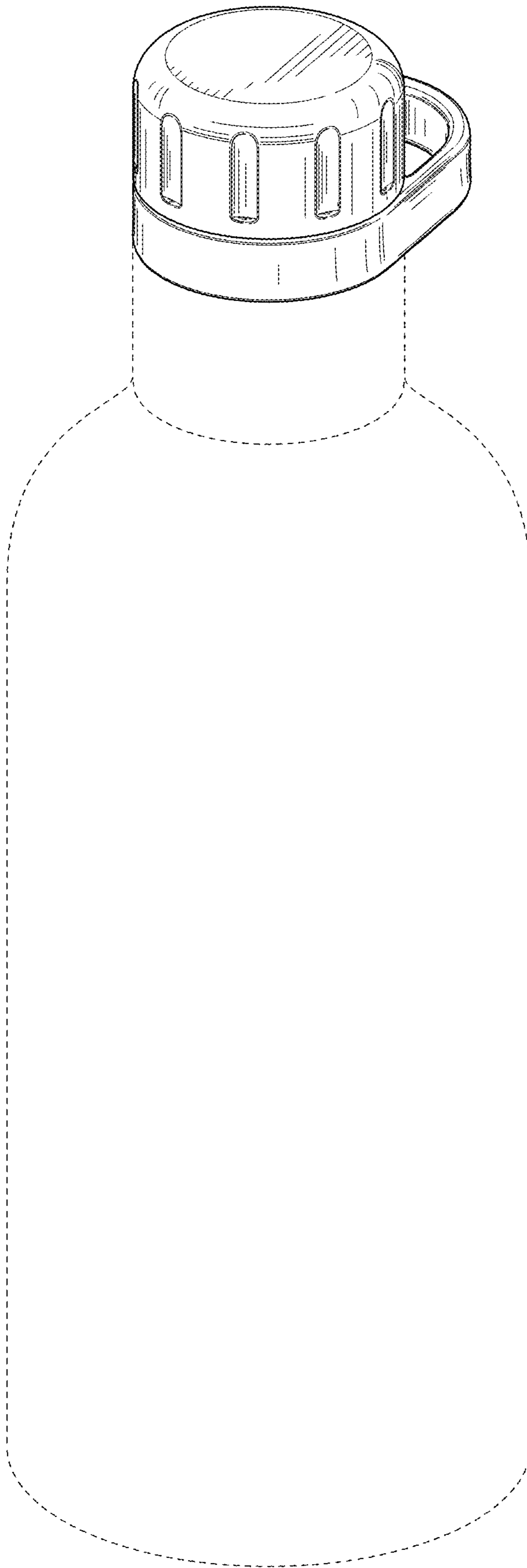


FIG. 8