



US00D957873S

(12) **United States Design Patent** (10) **Patent No.:** **US D957,873 S**
Fastabend et al. (45) **Date of Patent:** **** Jul. 19, 2022**

(54) **WEDGER BLADE COVER**
(71) Applicant: **Prince Castle LLC**, Carol Stream, IL (US)
(72) Inventors: **Mark Fastabend**, Chicago, IL (US);
Aleksandr Yazvin, Glenview, IL (US);
Scott R. Hammac, Joliet, IL (US)
(73) Assignee: **Marmon Foodservice Technologies, Inc.**, Osseo, MN (US)

D148,703 S 2/1948 Ingram et al.
D164,693 S 10/1951 Kooas
2,592,657 A 4/1952 Owen
2,836,212 A 5/1958 Albert
2,916,986 A 12/1959 Morris
(Continued)

FOREIGN PATENT DOCUMENTS

DE 102004002070 8/2005
DE 102006011386 9/2007
(Continued)

(**) Term: **15 Years**

OTHER PUBLICATIONS

(21) Appl. No.: **29/739,574**

Edlund, Manual Fruit & Vegetable Slicer, 2014.
(Continued)

(22) Filed: **Jun. 26, 2020**

Related U.S. Application Data

(62) Division of application No. 29/649,789, filed on Jun. 1, 2018, now Pat. No. Des. 891,180.

Primary Examiner — Ricky Pham
(74) *Attorney, Agent, or Firm* — Andrus Intellectual Property Law, LLP

(51) **LOC (13) Cl.** **07-02**

(52) **U.S. Cl.**
USPC **D7/391**

(57) **CLAIM**

(58) **Field of Classification Search**
USPC D7/323, 352-363, 391, 393-396, 409, D7/693
CPC .. A21B 5/00; A47G 19/12; A47J 27/00; A47J 27/002; A47J 27/08; A47J 27/21; A47J 27/58; A47J 36/025; A47J 36/06; A47J 36/12; A47J 37/00; A47J 37/0611; A47J 37/10; A47J 37/101; A47J 37/103; A47J 37/12; A47J 37/1204; A47J 45/061; A47J 45/071; A47J 45/08; B26D 7/01; H05B 6/12

The ornamental design for a wedger blade cover, as shown and described.

See application file for complete search history.

DESCRIPTION

FIG. 1 is a perspective view of a wedger blade cover; FIG. 2 is a top view thereof; FIG. 3 is a bottom view thereof; FIG. 4 is a right side view thereof; FIG. 5 is a left side view thereof; FIG. 6 is a front view thereof; and, FIG. 7 is a back view thereof.

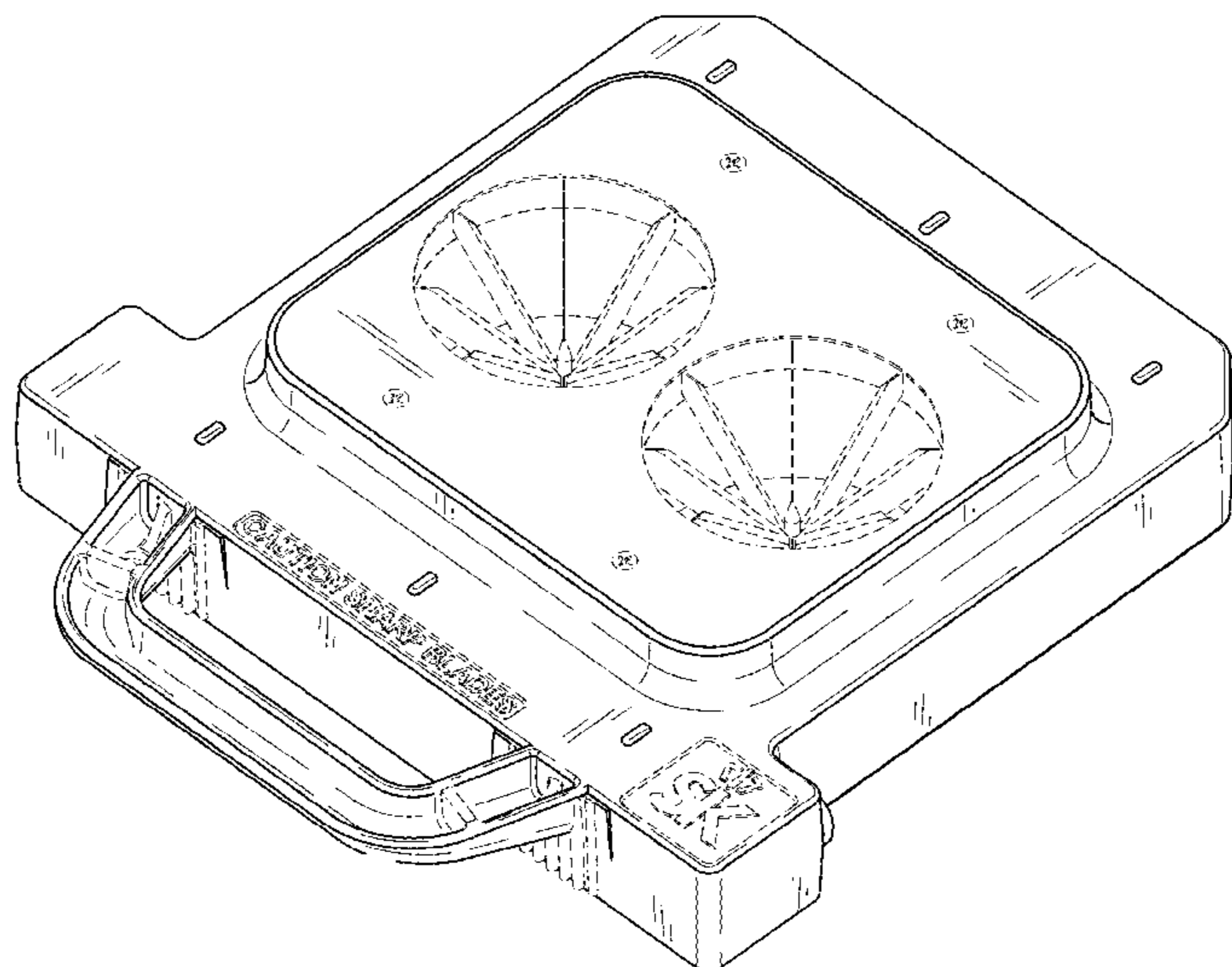
(56) **References Cited**

U.S. PATENT DOCUMENTS

1,587,788 A * 6/1926 Morley A21B 5/00 219/524
2,563,237 A 6/1947 Grocoff

The broken lines showing of various portions and other elements in the Figures are for the purpose of illustrating unclaimed portions and form no part of the claimed design.

1 Claim, 5 Drawing Sheets



(56)

References Cited

U.S. PATENT DOCUMENTS

3,145,743 A * 8/1964 Cronheim B26D 7/01
D7/673

3,163,192 A 12/1964 Lupoli

3,277,574 A 10/1966 Giasi

D207,378 S * 4/1967 Levin D7/693

3,369,582 A 2/1968 Giangiulio

3,463,211 A 8/1969 Holz

3,605,839 A 9/1971 Gerson

3,719,507 A * 3/1973 Bardeau A47J 37/0611
99/425

4,059,037 A 11/1977 Gerson

4,062,260 A 12/1977 Steinhogel

D250,447 S * 12/1978 Levin D7/352

4,254,678 A 3/1981 Novy et al.

4,302,997 A 12/1981 Jones et al.

D264,542 S 5/1982 Doyel

4,383,365 A 5/1983 Metzgian

4,436,011 A 3/1984 Jones

4,453,458 A 6/1984 Altman

D275,925 S * 10/1984 Bowen D7/360

4,567,801 A 2/1986 Jones

4,573,384 A 3/1986 Jones

4,579,028 A 4/1986 Neidhart

4,599,928 A 7/1986 Oker

D293,194 S 12/1987 Kreth

D297,798 S 9/1988 Leung

4,870,719 A 10/1989 Harris

5,245,902 A 9/1993 Pereira

5,253,565 A * 10/1993 Burton A47J 37/0611
99/380

5,343,623 A 9/1994 Cole et al.

5,419,245 A 5/1995 Short

5,596,922 A * 1/1997 Chan A47J 37/0611
99/380

5,613,903 A 3/1997 Fujitaki et al.

5,692,424 A 12/1997 Wallace

5,749,145 A 5/1998 Bauklah

D400,065 S 10/1998 Fohrman

D406,990 S 3/1999 Ocampo

5,950,515 A 9/1999 Wetzel

5,971,847 A 10/1999 Webb

D421,369 S 3/2000 Samarasinghe

6,033,304 A 3/2000 Haynes

6,041,682 A 3/2000 Jensen et al.

D436,504 S 1/2001 Demers

D464,851 S 10/2002 Dorion

D475,584 S 6/2003 Bachman et al.

D505,302 S 5/2005 Veltrop et al.

D510,507 S 10/2005 Lo

D531,465 S 11/2006 Tellier

D568,117 S 5/2008 Hauser

D573,418 S 7/2008 Ho

7,658,010 B2 2/2010 So et al.

D648,989 S 11/2011 Coursey et al.

D649,413 S 11/2011 Coursey et al.

D650,247 S 12/2011 Harris et al.

D657,608 S * 4/2012 Lavy D7/352

D657,609 S * 4/2012 Lavy D7/352

8,286,355 B2 10/2012 Aby-Eva et al.

D677,528 S * 3/2013 Kwon D7/409

D679,944 S * 4/2013 Meyer D7/409

8,438,737 B2 5/2013 Lo et al.

8,495,941 B2 7/2013 Farid et al.

D690,170 S 9/2013 Harris et al.

D744,299 S 12/2015 Lipscomb et al.

D773,893 S 12/2016 Fastabend et al.

D778,673 S 2/2017 Fastabend et al.

D781,649 S 3/2017 Fastabend et al.

D799,282 S 10/2017 Maslana et al.

D805,834 S 12/2017 Vela De Pleitez

9,913,481 B2 3/2018 McCarney

9,914,229 B2 3/2018 Fastabend et al.

D817,712 S 5/2018 Fastabend et al.

D869,904 S 12/2019 Fastabend et al.

10,532,480 B2 1/2020 Fastabend et al.

D891,180 S * 7/2020 Fastabend D7/412

2003/0079616 A1 5/2003 Barnard

2005/0199115 A1 9/2005 Veltrop et al.

2006/0185488 A1 8/2006 Short et al.

2006/0225547 A1 10/2006 Stanojevic et al.

2009/0249935 A1 10/2009 Kaposi

2010/0313724 A1 12/2010 Farid et al.

2011/0283549 A1 11/2011 Moss et al.

2014/0208917 A1 7/2014 Whitney

FOREIGN PATENT DOCUMENTS

EP 1570961 9/2005

EP 1759819 3/2007

GB 132809 12/1920

GB 398939 9/1933

GB 1144724 3/1969

GB 2312613 11/1997

OTHER PUBLICATIONS

Nemco, Operating and Maintenance Instruction for Lettuce Kutter, 2012.

Nemco, Easy Cartridge Onion Slicer, 2008.

Prince Castle LLC, Dice Witch, 2009.

Prince Castle LLC, Lettuce Kutlett, 2009.

Prince Castle LLC, Tomato Saber Operating Instructions, 1999.

Vollrath, Onion King Operator's Manual, 2014.

Prince Castle Inc. Citrus Wedger Model No. CW Series Operating Instructions, 2007.

Edland, New! Titan Series Max-Cut 2014.

Nemco, Easy Wedger and Easy Apple Corer Operating and Maintenance Instructions, 2009.

Vollrath, Wedgemaster Operator's Manual, 2014.

Nemco, Easy Wedger and Easy Apple Corer, 2012.

* cited by examiner

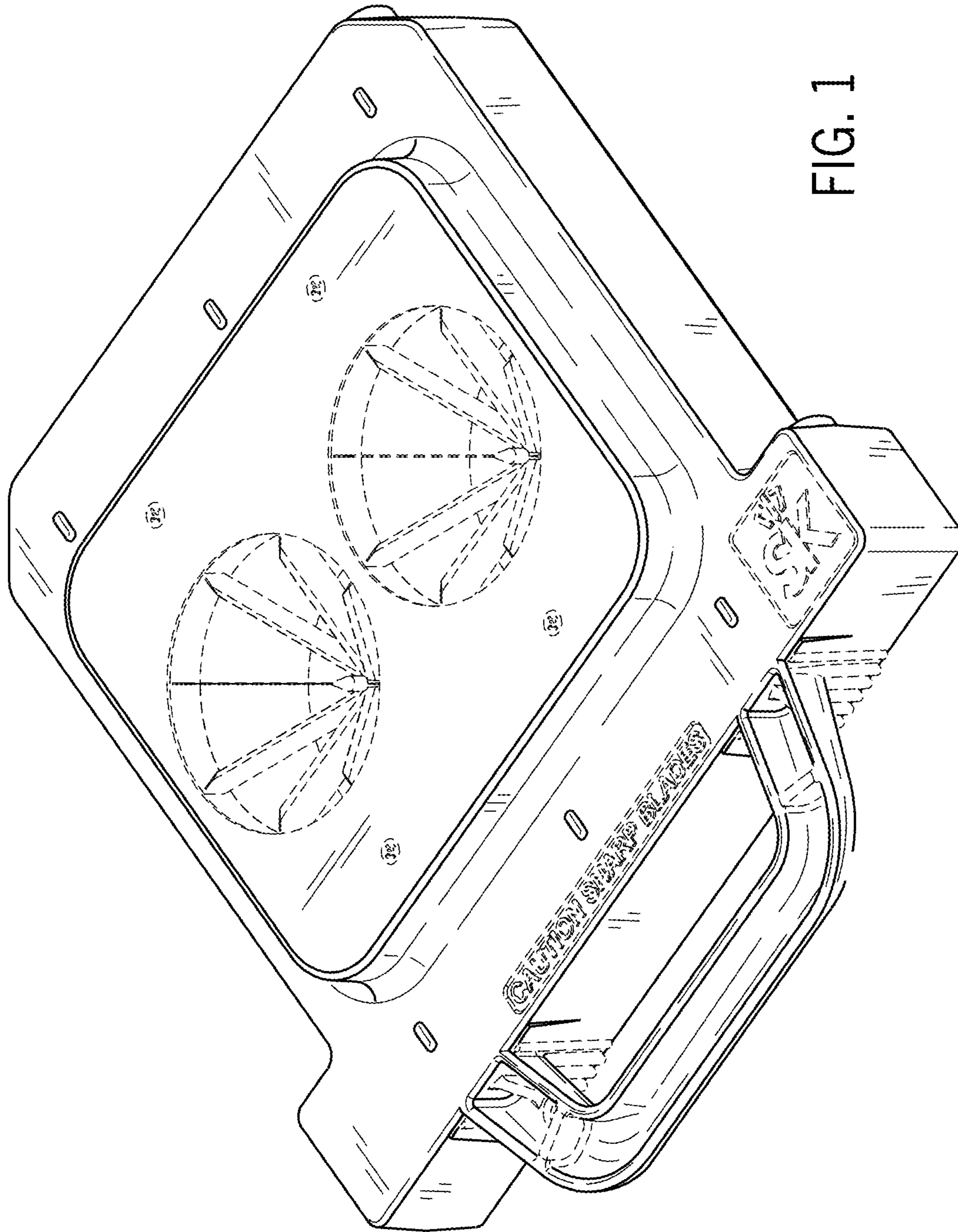


FIG. 1

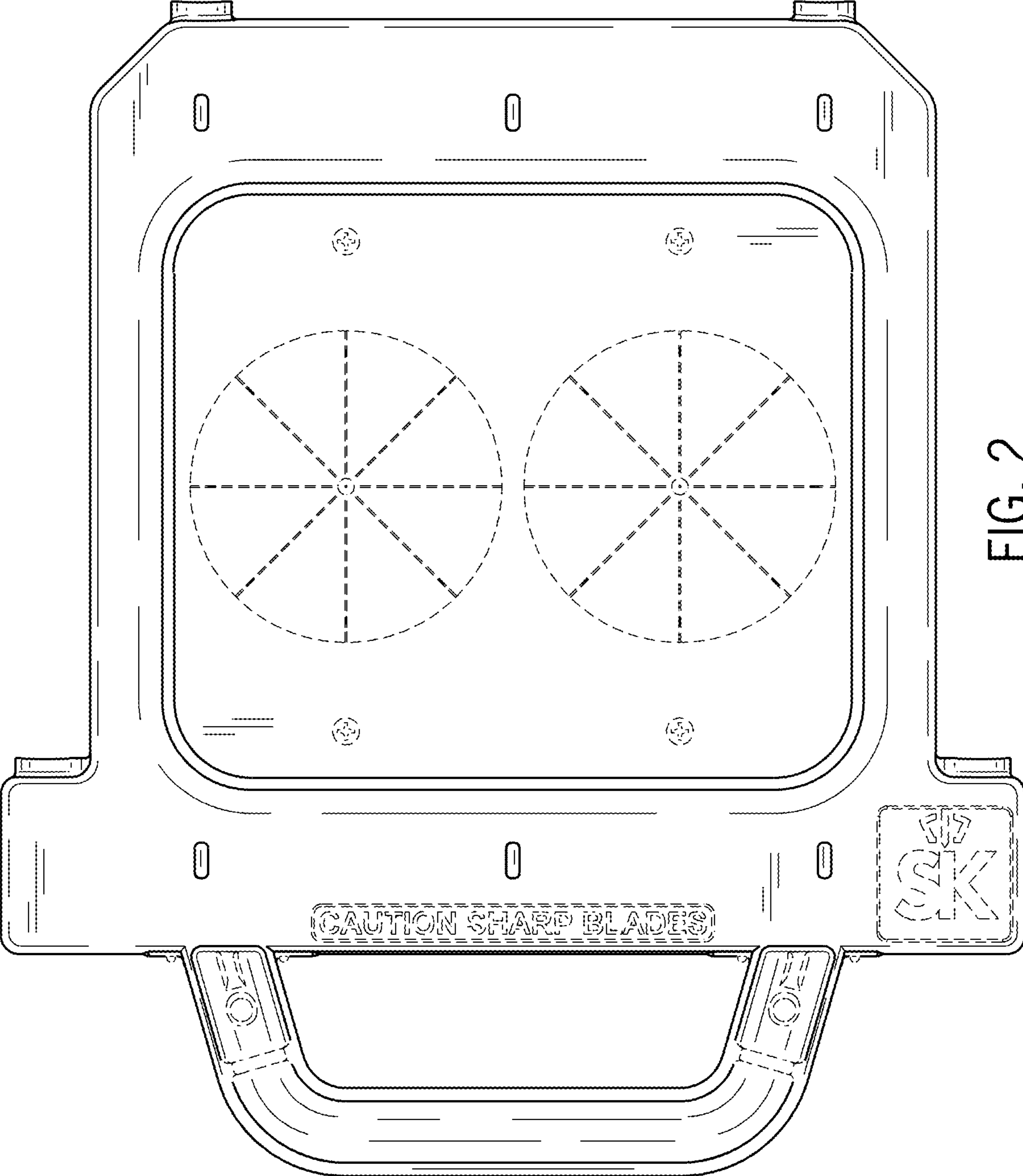


FIG. 2

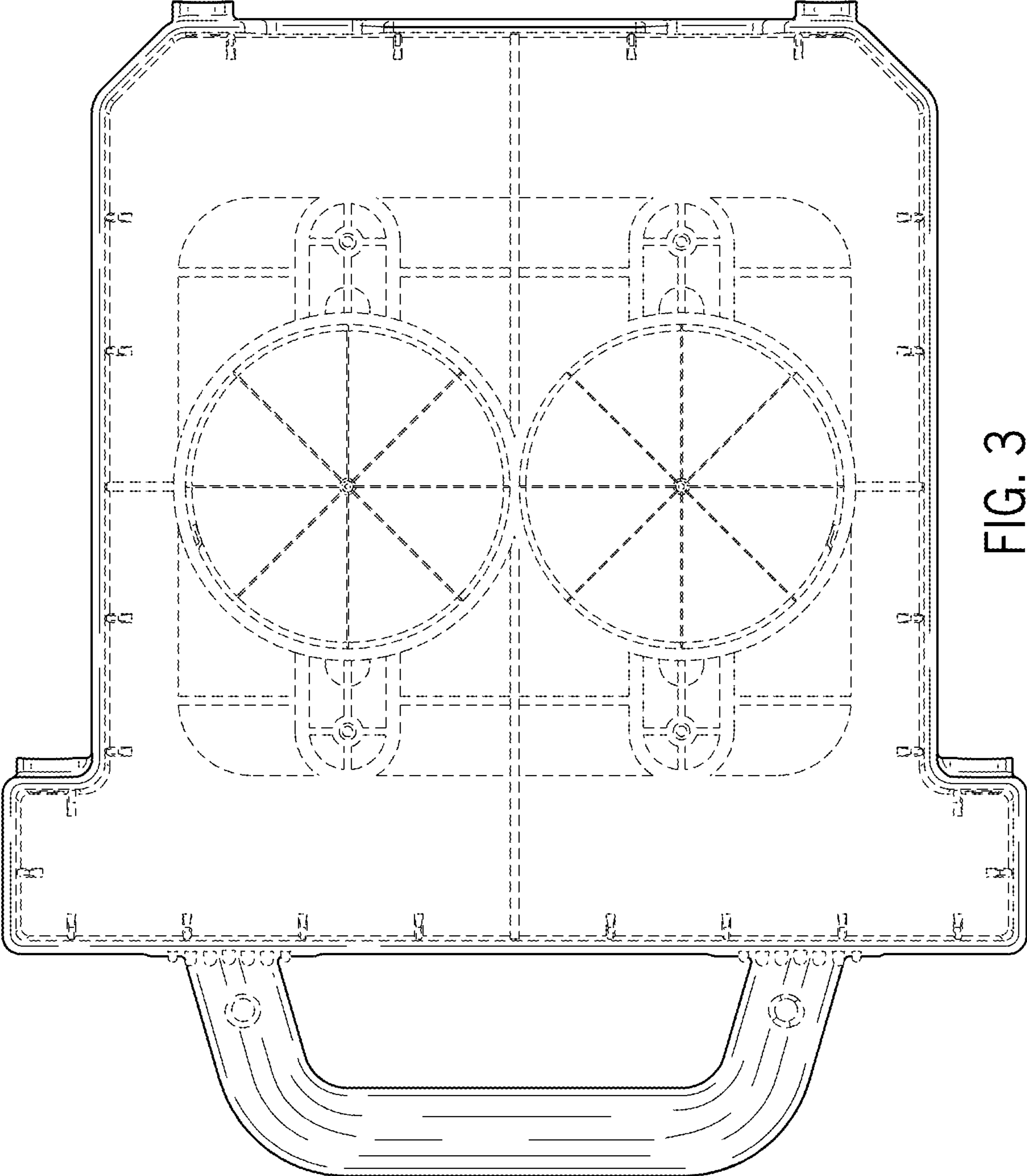


FIG. 3

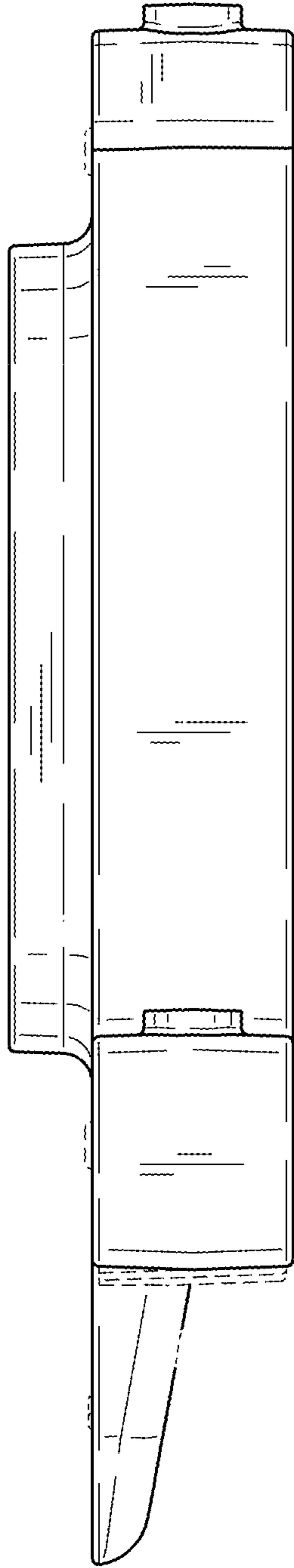


FIG. 4

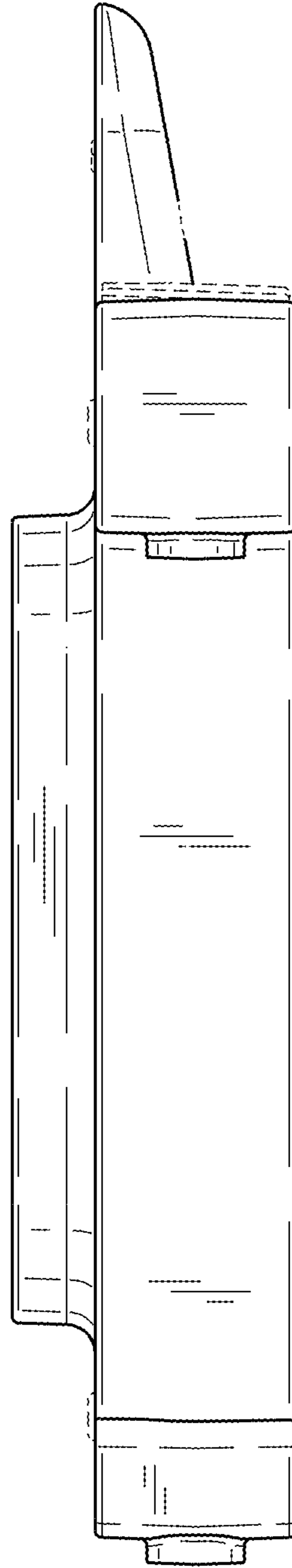


FIG. 5

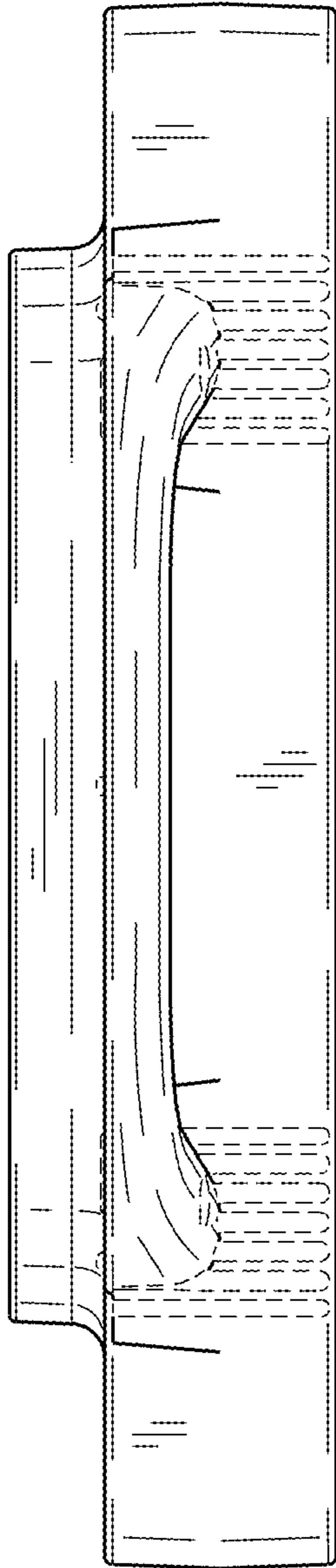


FIG. 6

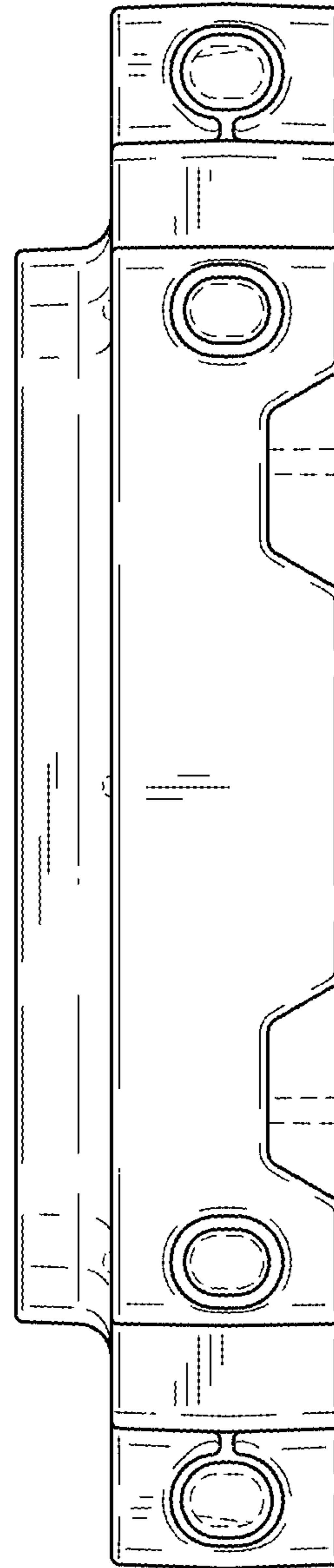


FIG. 7