



US00D957869S

(12) **United States Design Patent**
Dubois

(10) **Patent No.:** **US D957,869 S**

(45) **Date of Patent:** **** Jul. 19, 2022**

(54) **ROASTING DISH**

(71) Applicant: **PILLIVUYT**, Mehun-sur-Yèvre (FR)

(72) Inventor: **Eric Dubois**, Mehun-Sur-Yèvre (FR)

(**) Term: **15 Years**

(21) Appl. No.: **29/769,269**

(22) Filed: **Feb. 4, 2021**

(51) **LOC (13) Cl.** **07-02**

(52) **U.S. Cl.**
USPC **D7/360**; D7/354

(58) **Field of Classification Search**
USPC D7/323, 354–363, 391, 393–396, 409,
D7/542, 545, 548, 602; D9/428
CPC A47G 19/12; A47J 27/00; A47J 27/002;
A47J 27/08; A47J 27/21; A47J 27/58;
A47J 36/025; A47J 36/02; A47J 36/06;
A47J 36/12; A47J 37/00; A47J 37/0704;
A47J 37/10; A47J 37/101; A47J 37/103;
A47J 37/12; A47J 37/1204; A47J 45/061;
A47J 45/071; A47J 45/08; H05B 6/12
See application file for complete search history.

(56) **References Cited**

U.S. PATENT DOCUMENTS

D216,477 S	*	1/1970	Ketcham	D7/545
D459,635 S	*	7/2002	Henry	D7/545
D476,851 S	*	7/2003	Wuestman	D7/545
D483,617 S	*	12/2003	Watson	D7/545
D483,619 S	*	12/2003	Watson	D7/548
D515,873 S	*	2/2006	Vendl	D7/545
D580,750 S	*	11/2008	Claassen	D9/428

D607,689 S	*	1/2010	Hart	D7/354
D657,617 S	*	4/2012	Sarnoff	D7/354
D829,037 S	*	9/2018	Garcia Luna	D7/354
D835,465 S	*	12/2018	Son	D7/545
D854,889 S	*	7/2019	Kim	D7/602
D948,923 S	*	4/2022	Huo	D7/354

OTHER PUBLICATIONS

MDZF Sweet Home Ceramic Baking Dish. Date First Available on Amazon.com Mar. 27, 2019. <https://www.amazon.com/dp/B07VNCGMN8/ref> (Year: 2019).*

* cited by examiner

Primary Examiner — Ricky Pham

(74) *Attorney, Agent, or Firm* — Egbert, McDaniel & Swartz, PLLC

(57) **CLAIM**

The ornamental design for a roasting dish, as shown and described.

DESCRIPTION

FIG. 1 is an upper perspective view of a roasting dish showing my new design.

FIG. 2 is a front view thereof;

FIG. 3 is a rear view thereof;

FIG. 4 is a side view thereof;

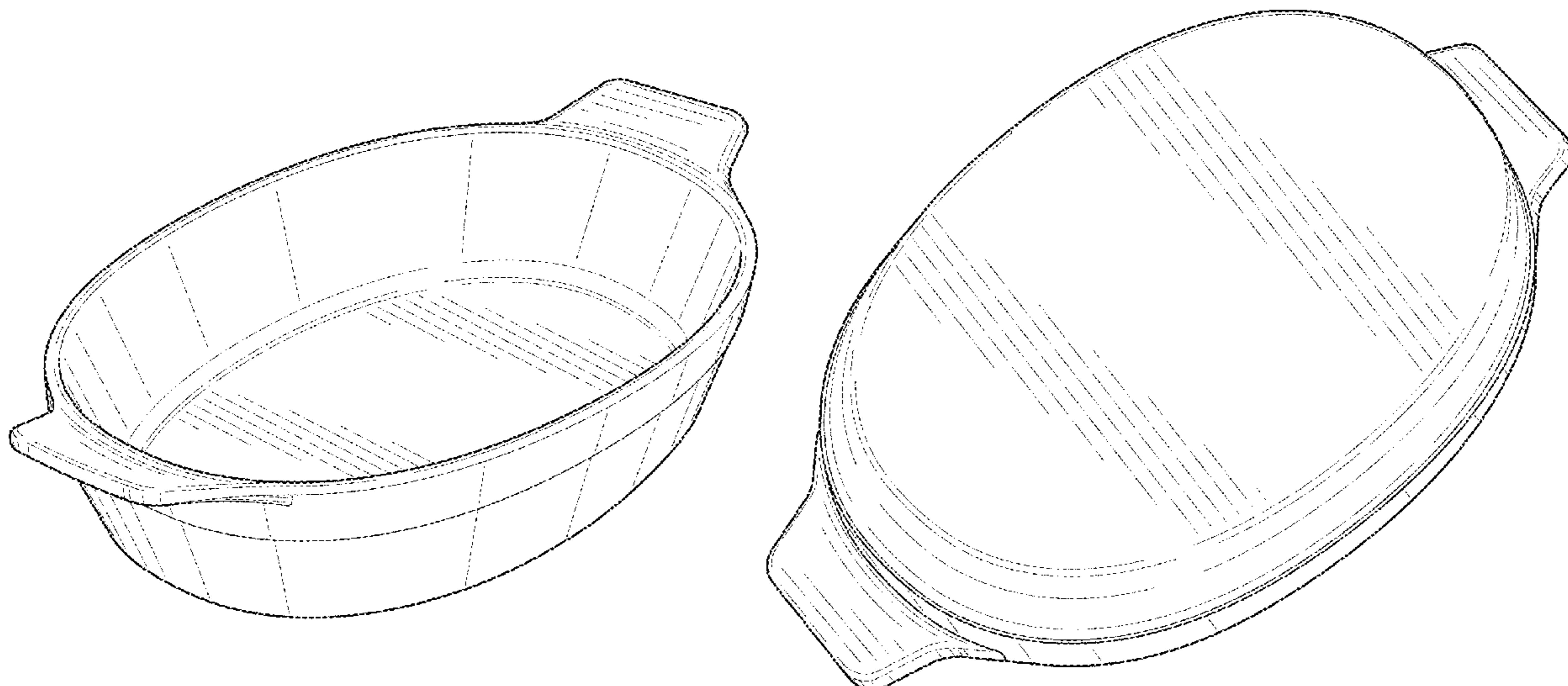
FIG. 5 is an opposite side view thereof;

FIG. 6 is a top view thereof;

FIG. 7 is a bottom view thereof; and,

FIG. 8 is a bottom perspective view thereof.

1 Claim, 3 Drawing Sheets



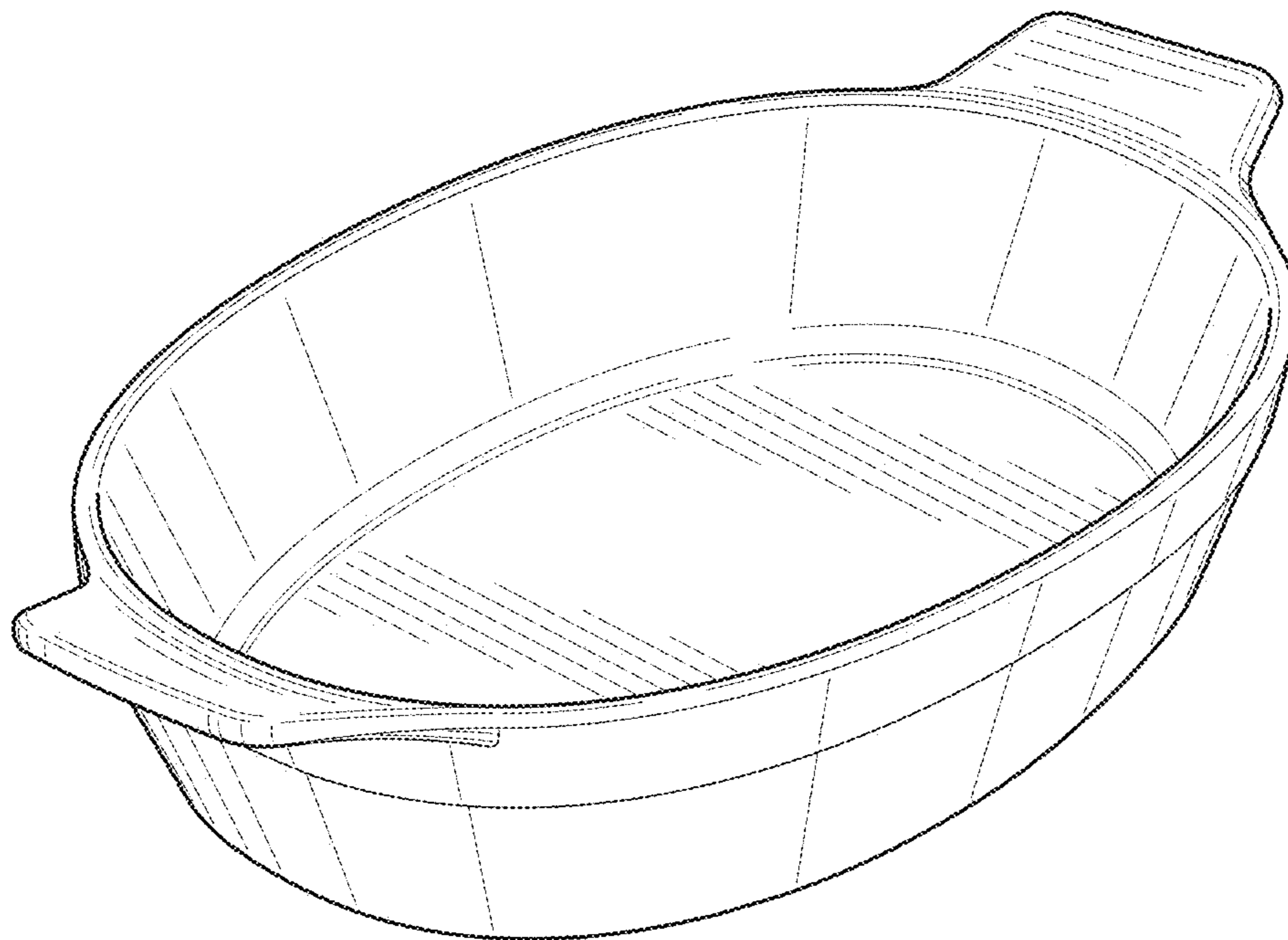


FIG. 1

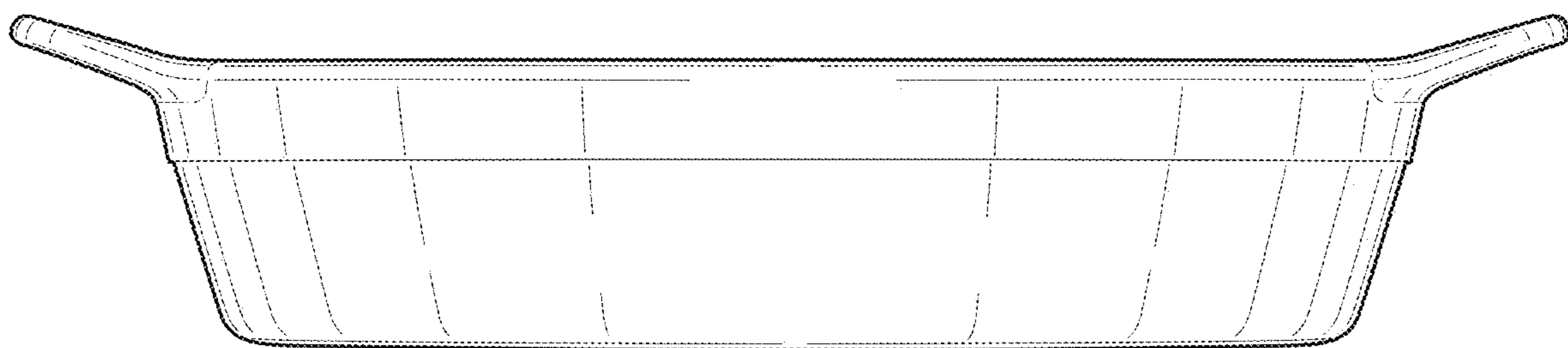


FIG. 2

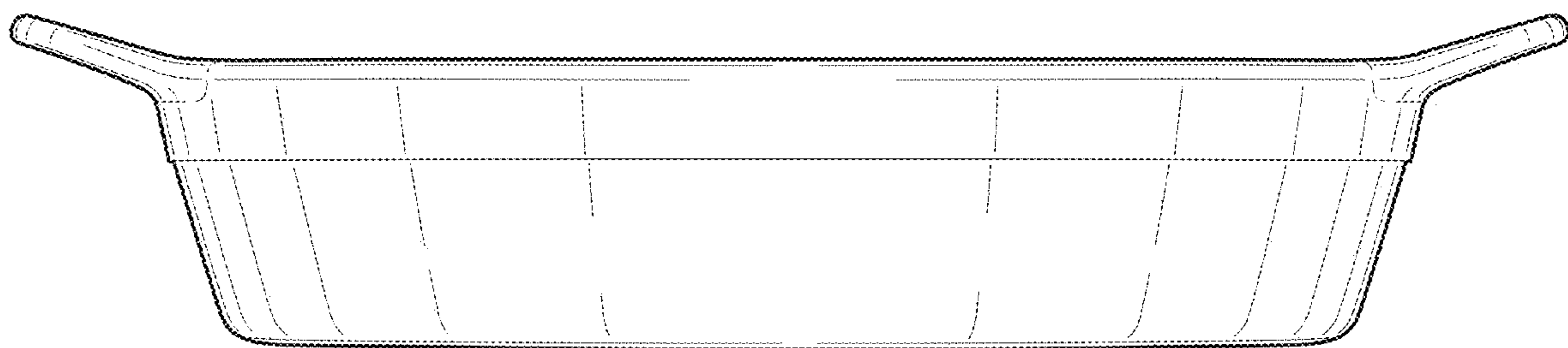


FIG. 3

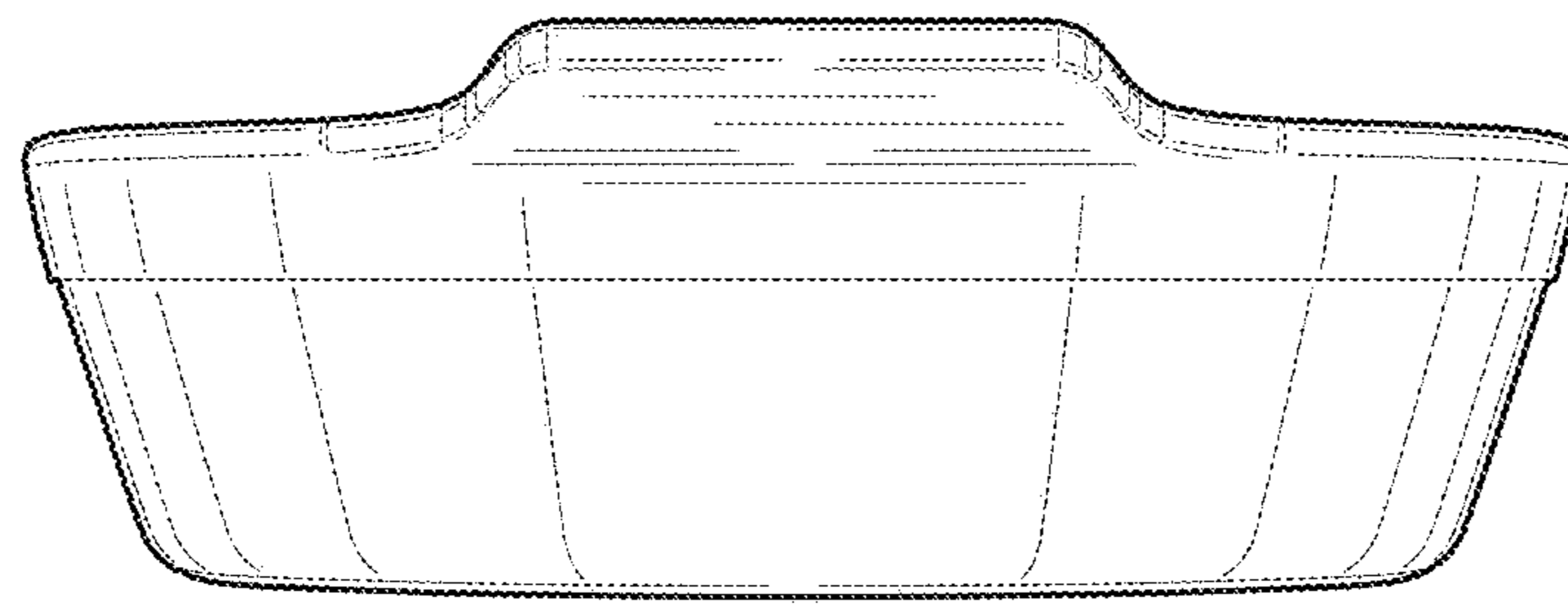


FIG. 4

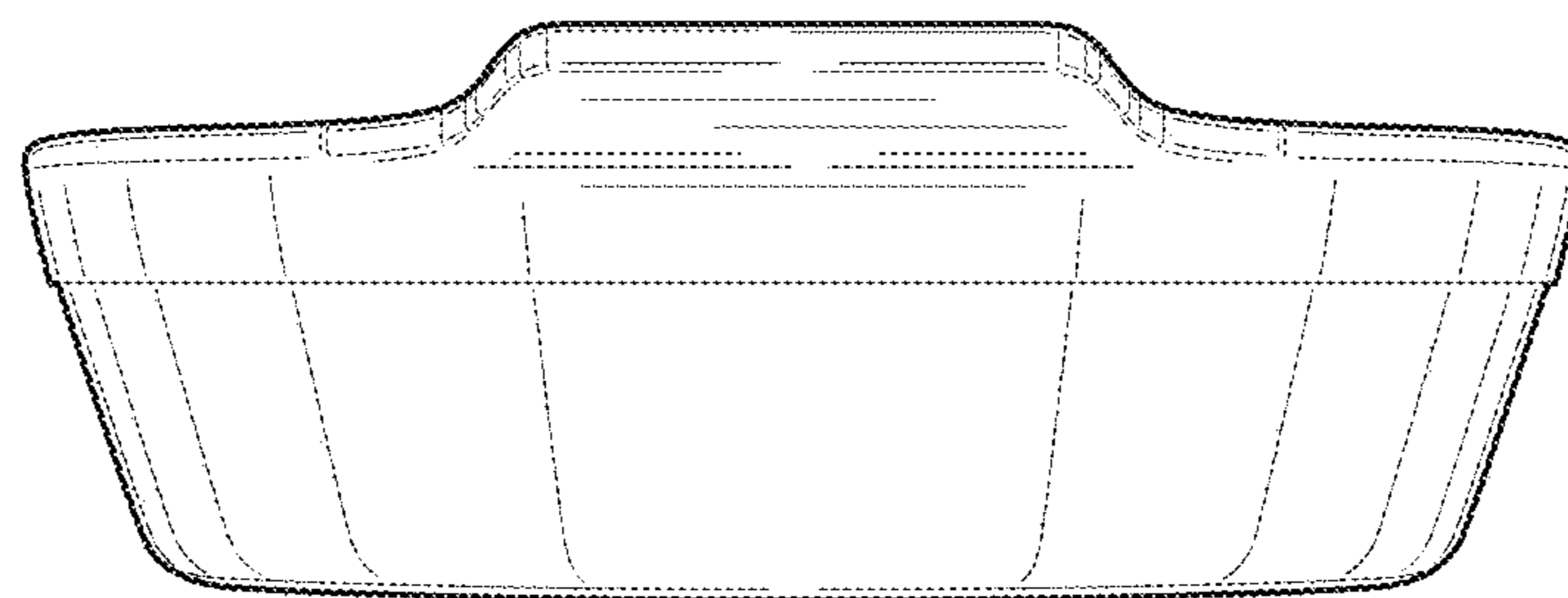


FIG. 5

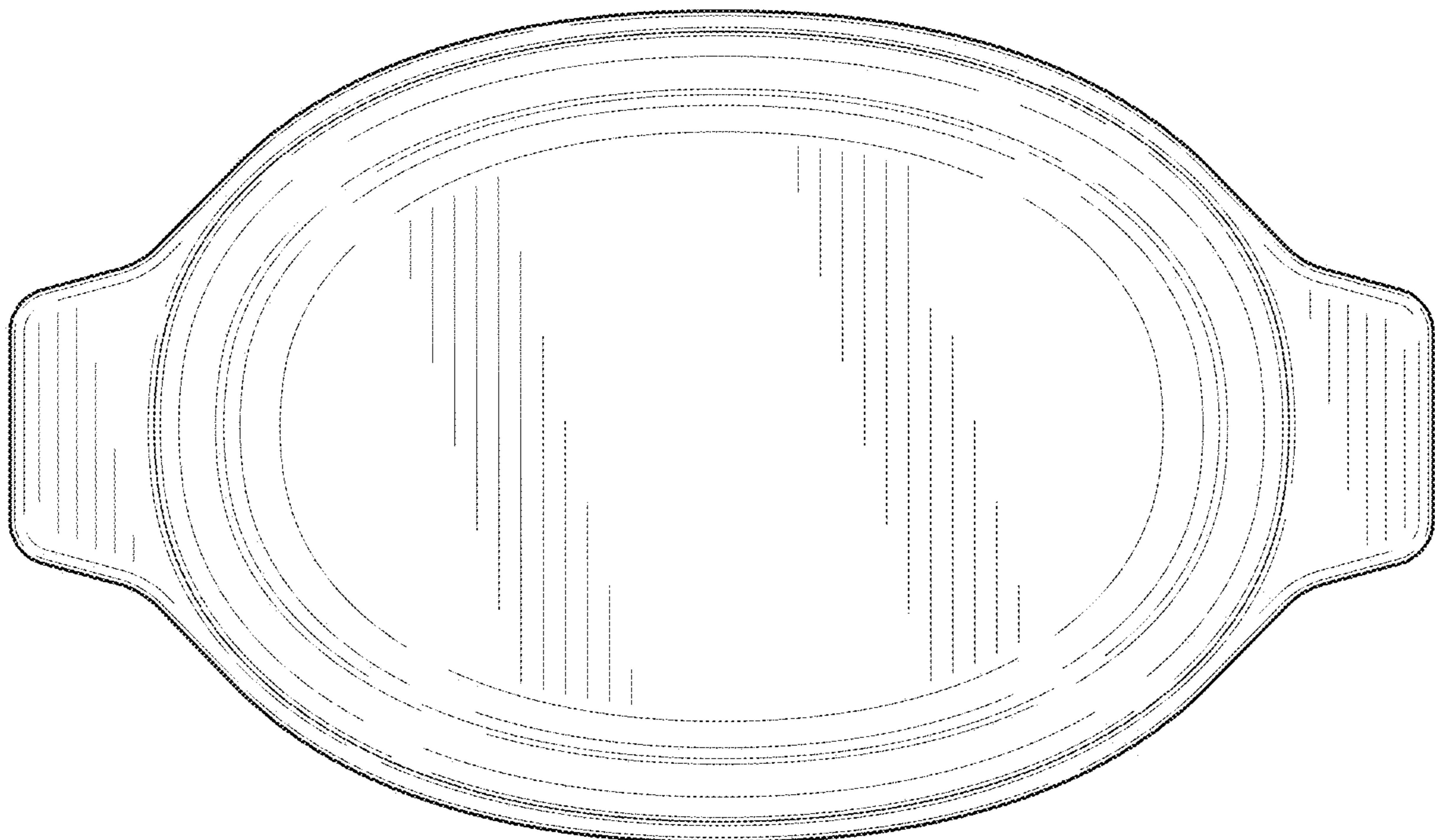


FIG. 6

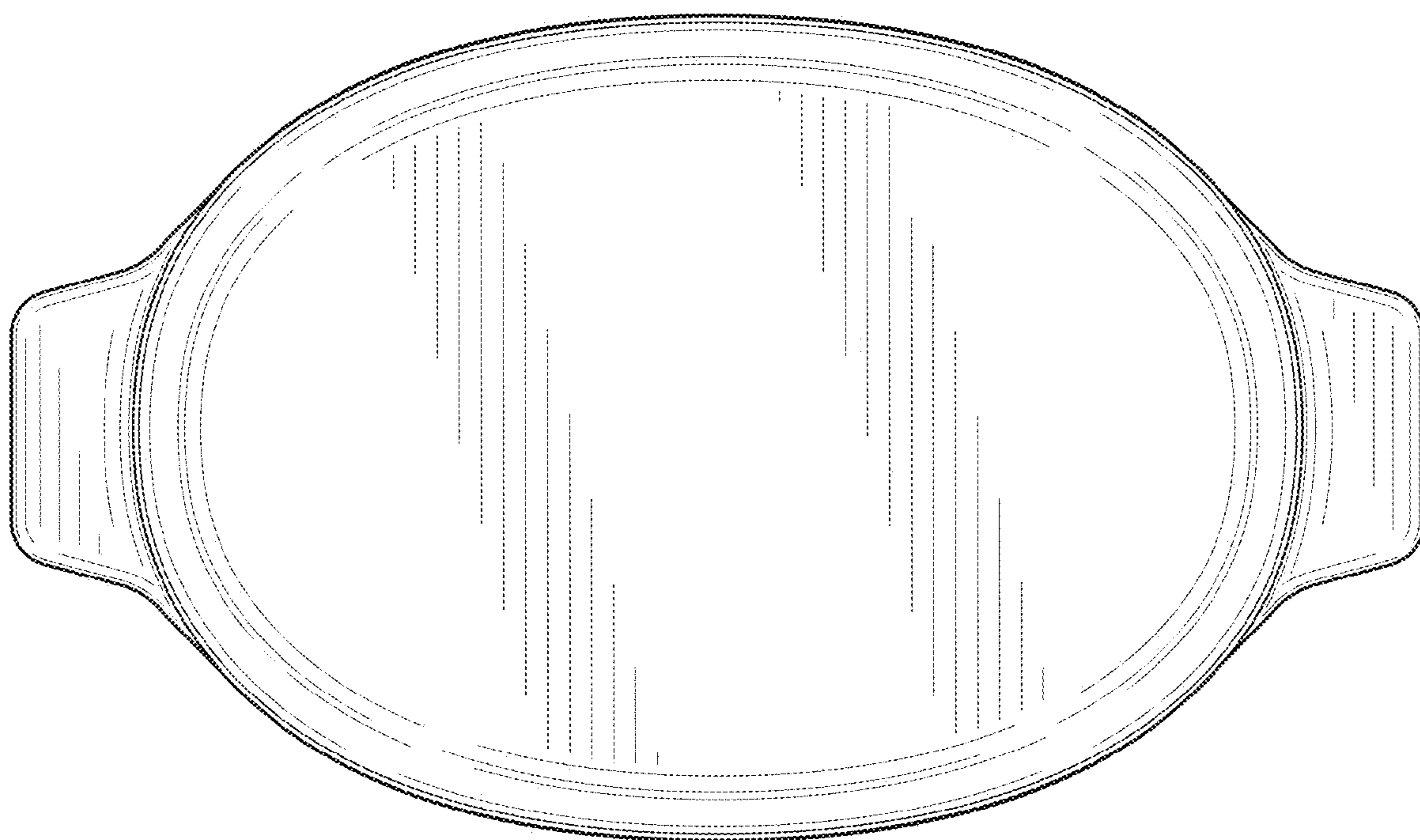


FIG. 7

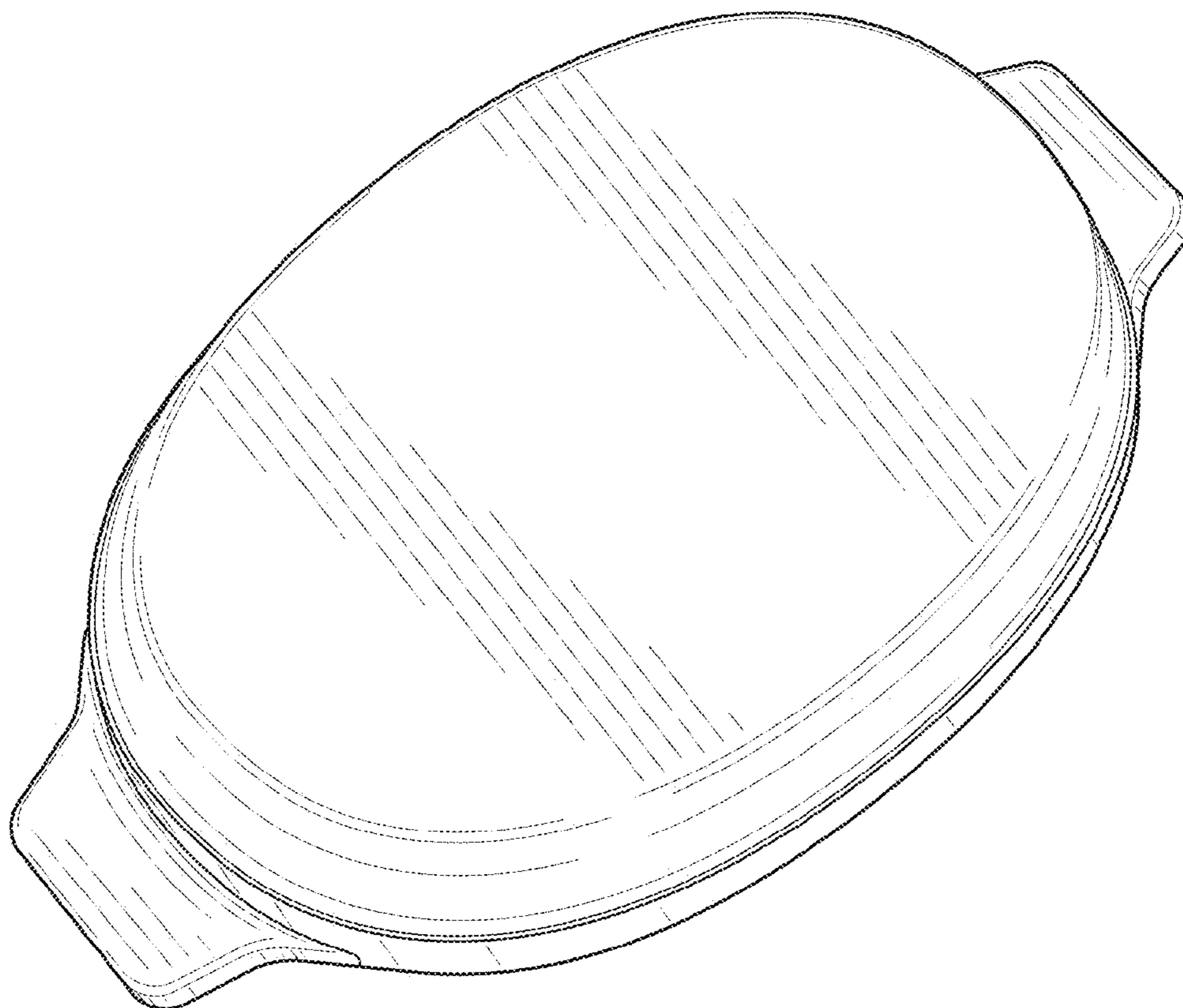


FIG. 8