



US00D957868S

(12) **United States Design Patent**
Zhang

(10) **Patent No.:** **US D957,868 S**
(45) **Date of Patent:** **** Jul. 19, 2022**

- (54) **TRAY**
- (71) Applicant: **Sige Zhang**, Guangdong (CN)
- (72) Inventor: **Sige Zhang**, Guangdong (CN)
- (**) Term: **15 Years**
- (21) Appl. No.: **29/809,181**
- (22) Filed: **Sep. 27, 2021**
- (51) **LOC (13) Cl.** **07-02**
- (52) **U.S. Cl.**
USPC **D7/359**; D7/409
- (58) **Field of Classification Search**
USPC D7/323, 352, 354-361, 409, 543, 545,
D7/549, 550.1, 553.1-553.8, 554.1-554.4,
D7/555, 584, 586, 698; D9/430-433,
D9/455-456, 737, 756-762
CPC A21B 3/00; A21B 3/13; A21B 3/15; A21B
3/134; A21B 5/00; A21B 5/02; A47J
36/022; A47J 36/025; A47J 36/027; A47J
37/00; A47J 37/04; A47J 37/0676; A47J
37/067; B65D 1/22; B65D 1/24; B65D
1/34; B65D 1/36; B65D 81/343; B65D
85/36
See application file for complete search history.

- D463,202 S * 9/2002 Smith D7/359
- D471,397 S * 3/2003 Wright D7/359
- D653,075 S * 1/2012 Lupkes D7/359
- D756,699 S * 5/2016 Kim A47J 37/067
D7/354
- D820,042 S * 6/2018 Hollinger D7/409
- D828,714 S * 9/2018 Nagrani D7/361
- D876,877 S * 3/2020 Cheng D7/359
- D885,115 S * 5/2020 Cloutier D7/352
- D925,988 S 7/2021 Pawluskiewicz et al.
- D926,529 S 8/2021 Mayer

OTHER PUBLICATIONS

USA Pan Bakeware Half Sheet Pan. Date First Available on Amazon.com Apr. 22, 2009. [https://www.amazon.com/USA-Pan-Bakeware-Resistant-Aluminized/dp/B00282JL7G/ref\(Year:2009\).](https://www.amazon.com/USA-Pan-Bakeware-Resistant-Aluminized/dp/B00282JL7G/ref(Year:2009).)*

* cited by examiner

Primary Examiner — Ricky Pham

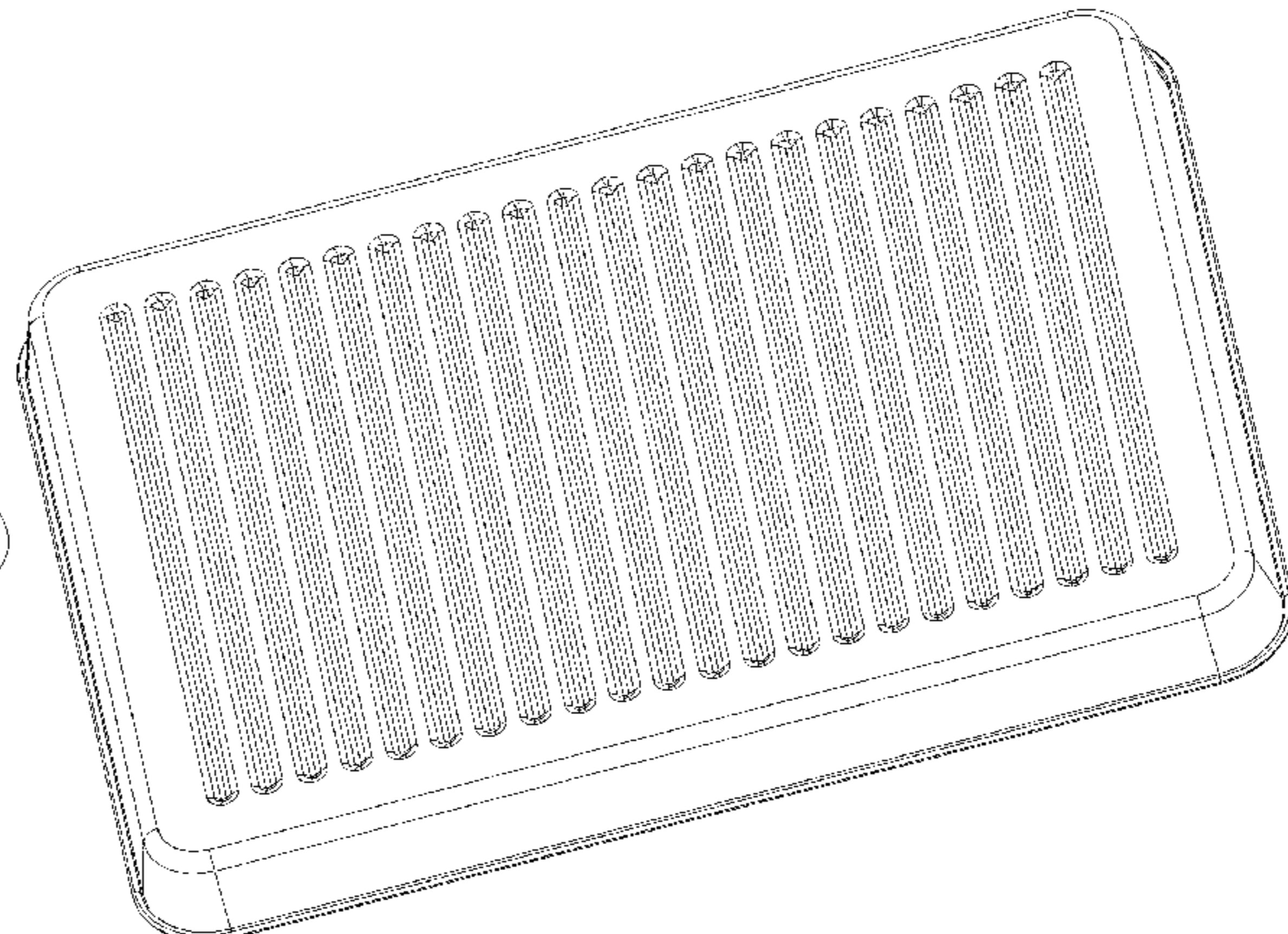
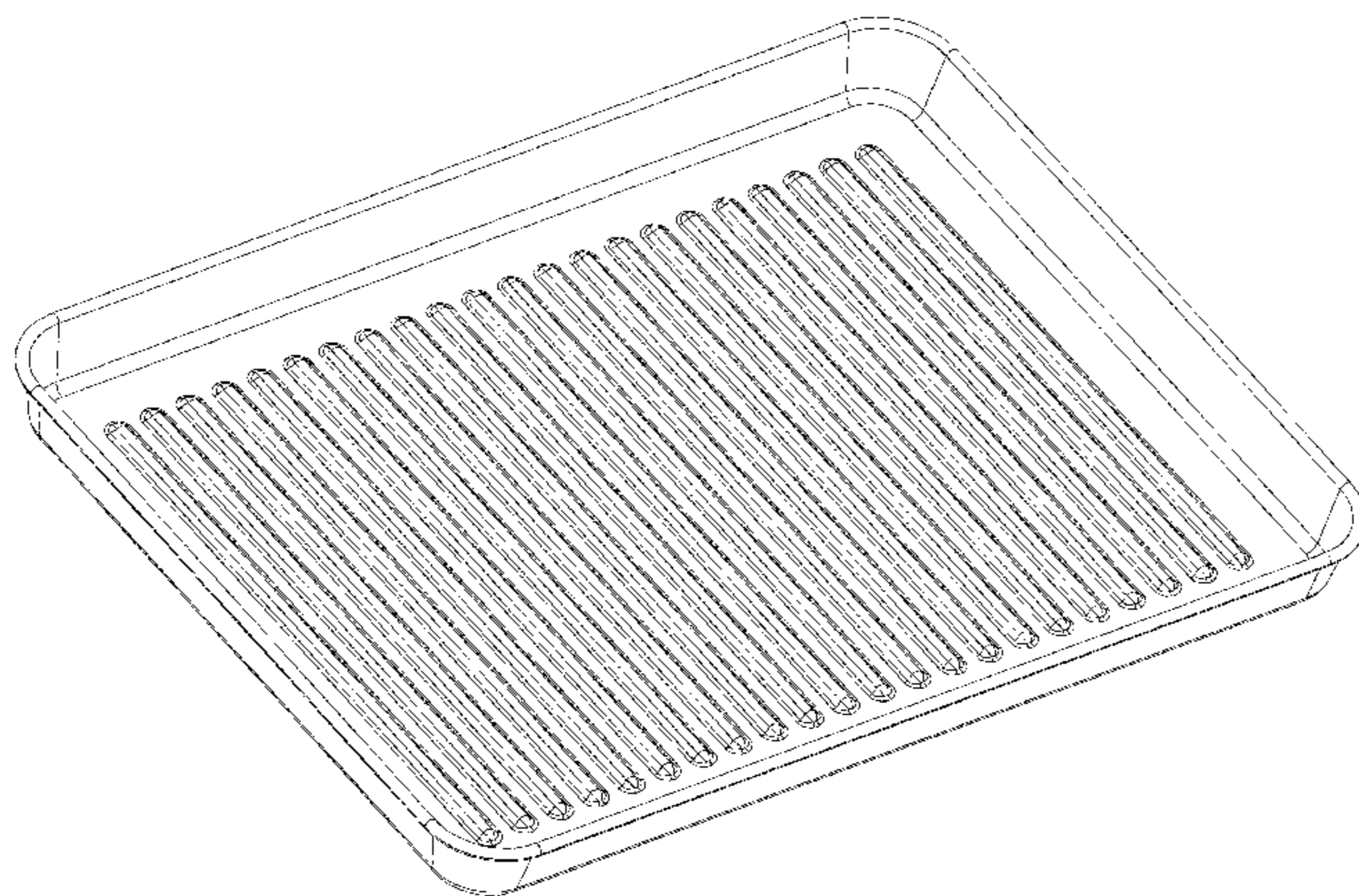
(57) **CLAIM**

The ornamental design for a tray, as shown and described.

DESCRIPTION

FIG. 1 is a top, front, left side perspective view of a tray showing my new design;
FIG. 2 is a bottom, rear perspective view thereof;
FIG. 3 is a front elevation view thereof;
FIG. 4 is a rear elevation view thereof;
FIG. 5 is an enlarged left side elevation view thereof;
FIG. 6 is an enlarged right side elevation view thereof;
FIG. 7 is a top plan view thereof; and,
FIG. 8 is a bottom plan view thereof.

1 Claim, 6 Drawing Sheets



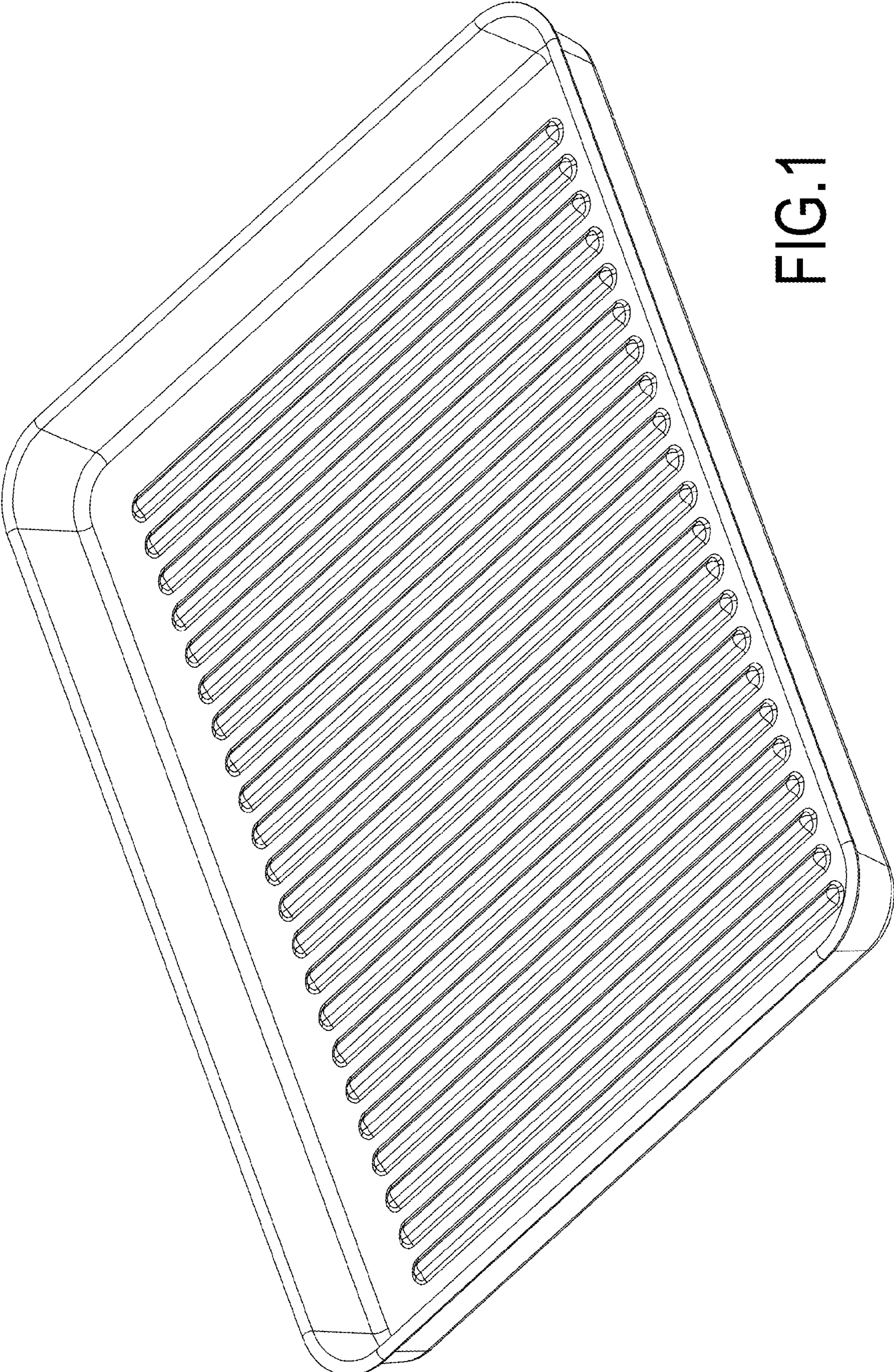


FIG.1

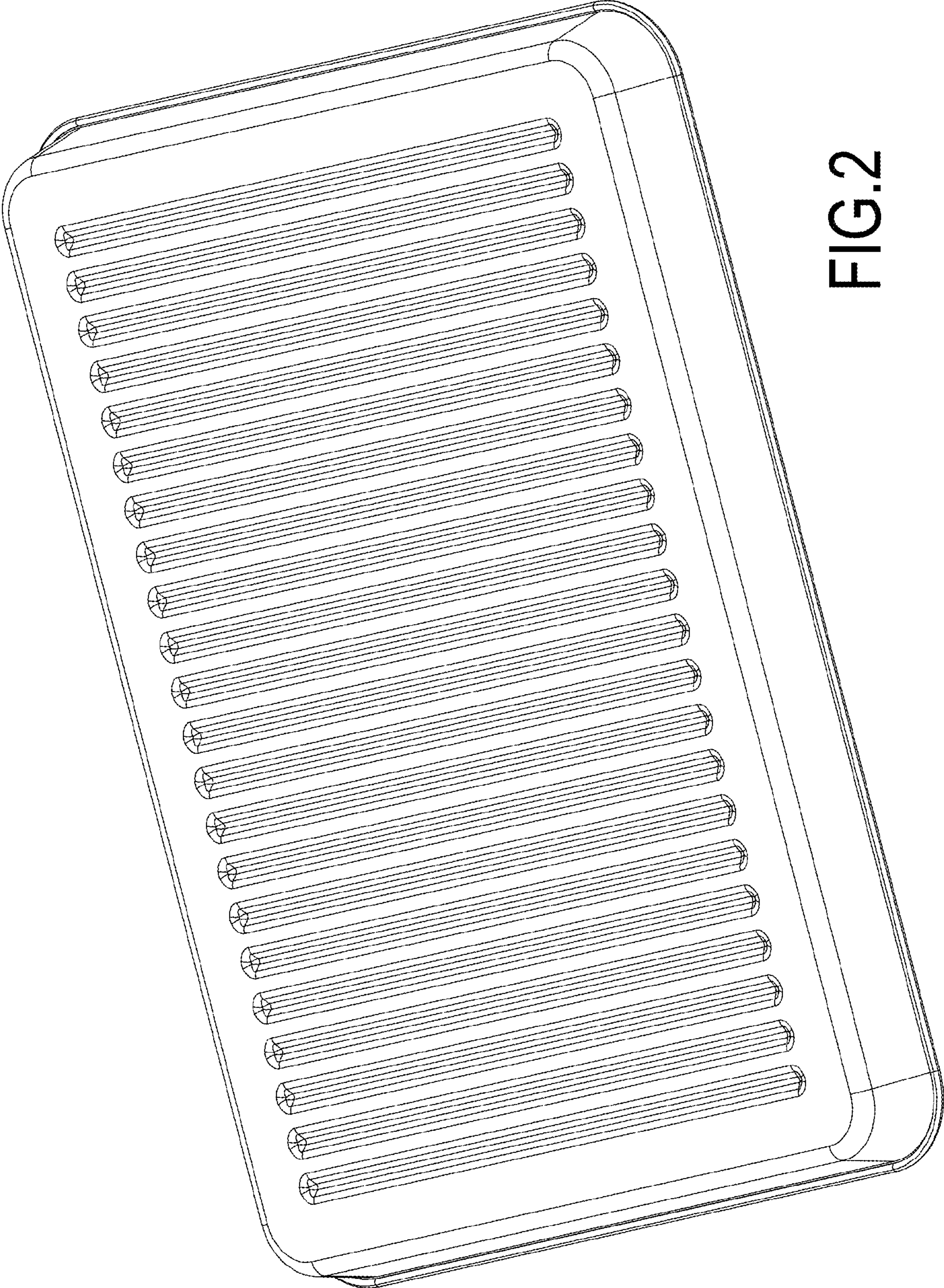


FIG.2

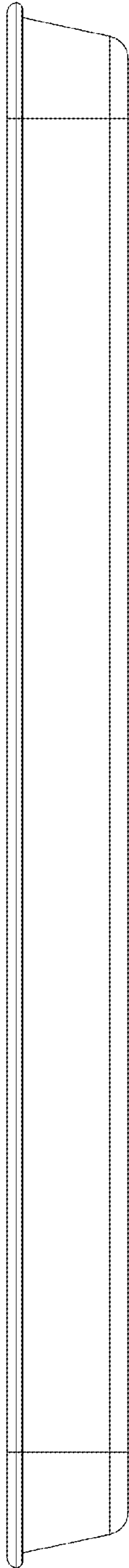


FIG.3

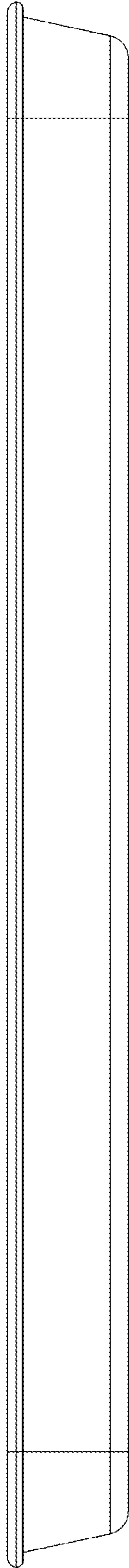


FIG.4

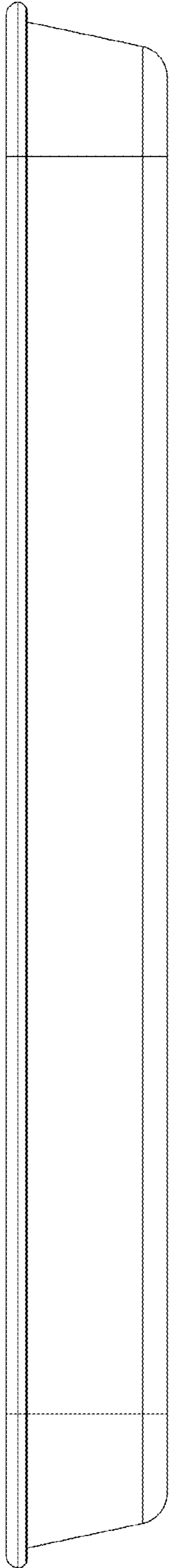


FIG. 5

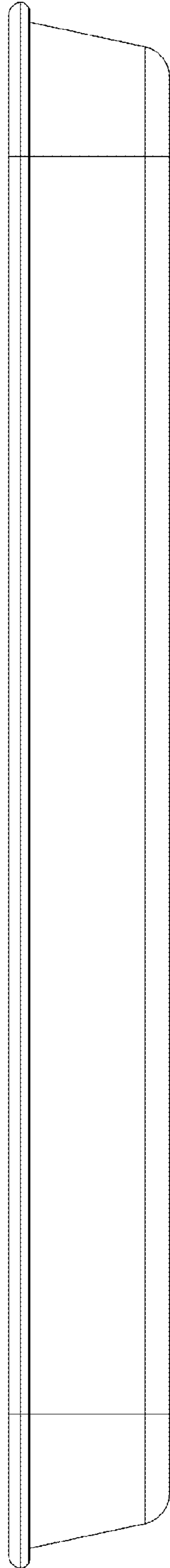


FIG. 6

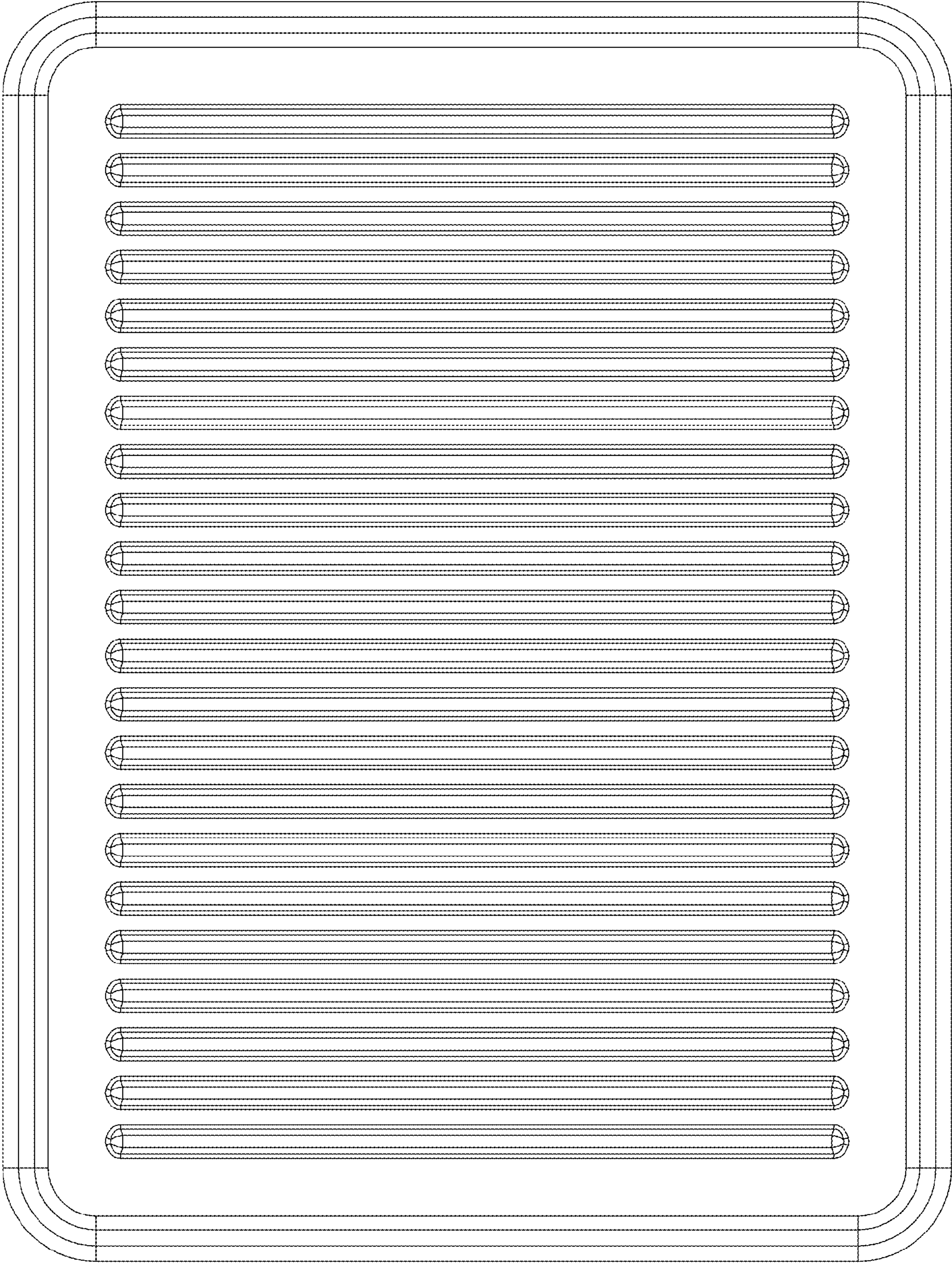


FIG.7

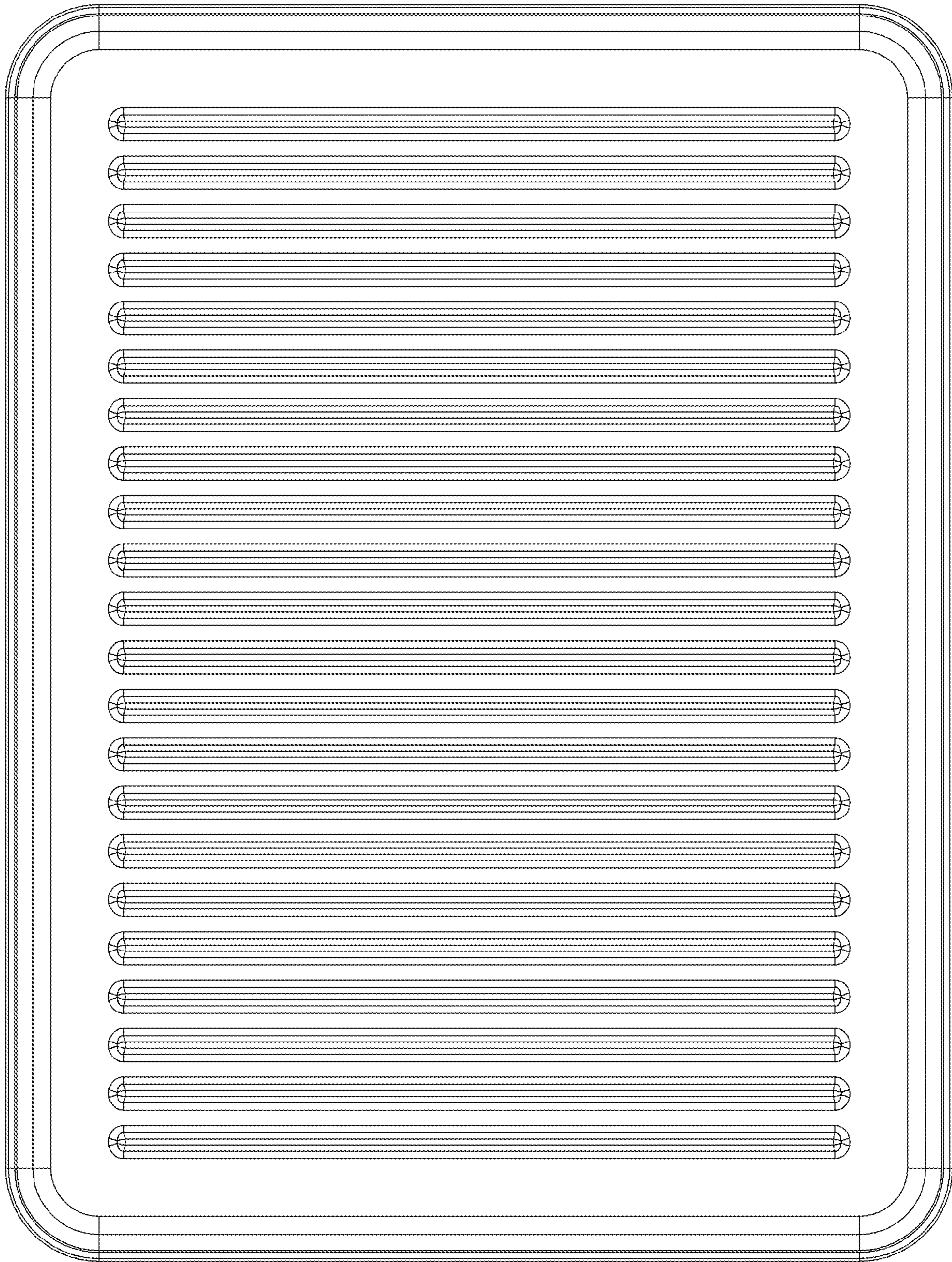


FIG.8