

US00D957866S

(12) **United States Design Patent**  
**Thurlow**

(10) **Patent No.:** **US D957,866 S**

(45) **Date of Patent:** **\*\* Jul. 19, 2022**

(54) **KETTLE**  
(71) Applicant: **Lentrade, Inc.**, Houston, TX (US)  
(72) Inventor: **Heida L. Thurlow**, Houston, TX (US)  
(73) Assignee: **Lentrade, Inc.**, Houston, TX (US)  
(\*\*) Term: **15 Years**  
(21) Appl. No.: **29/755,954**

D497,511 S \* 10/2004 Lebowitz ..... D7/321  
D541,100 S \* 4/2007 Lebowitz ..... D7/321  
7,225,952 B2 \* 6/2007 Naden ..... A47J 27/21191  
222/465.1  
D547,998 S \* 8/2007 Barraclough ..... D7/320  
D575,094 S \* 8/2008 Lebowitz ..... D7/312  
D602,305 S \* 10/2009 Papiernik ..... D7/321  
D626,780 S \* 11/2010 Gatto ..... D7/322  
D638,248 S \* 5/2011 Lebowitz ..... D7/322  
D640,495 S \* 6/2011 Blacken ..... D7/322  
D683,997 S \* 6/2013 Sehdev ..... D7/322  
D860,708 S \* 9/2019 Tang ..... D7/322  
2007/0215651 A1 \* 9/2007 Lebowitz ..... A47J 27/21191  
222/469

(22) Filed: **Oct. 23, 2020**  
(51) **LOC (13) Cl.** ..... **07-01**  
(52) **U.S. Cl.**  
USPC ..... **D7/322**  
(58) **Field of Classification Search**  
USPC ..... D7/312, 316-320, 322, 598, 600;  
D9/544, 545, 548, 549  
CPC ..... A47J 27/21; A47J 27/21008; A47J  
27/21041; A47G 19/14; A47G 19/22  
See application file for complete search history.

\* cited by examiner

*Primary Examiner* — Andrew Kerr  
(74) *Attorney, Agent, or Firm* — Patrick K. Steele

(57) **CLAIM**

The ornamental design for a kettle, as shown and described.

**DESCRIPTION**

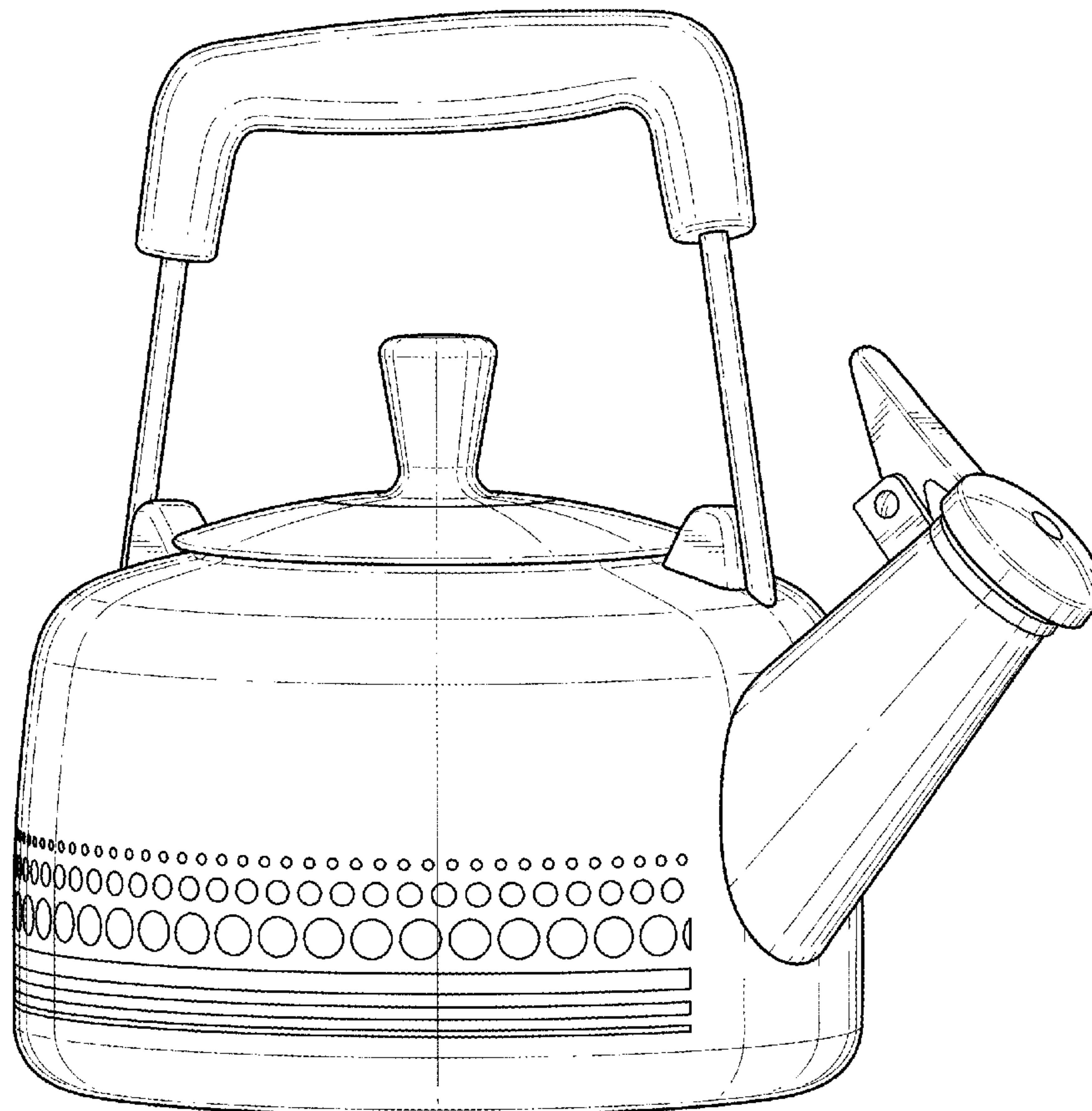
FIG. 1 is a front perspective view of a kettle showing my new design;  
FIG. 2 is a side elevational view thereof;  
FIG. 3 is a front elevational view thereof;  
FIG. 4 is a rear elevational view thereof;  
FIG. 5 is a top plan view thereof; and,  
FIG. 6 is a bottom plan view thereof.

(56) **References Cited**

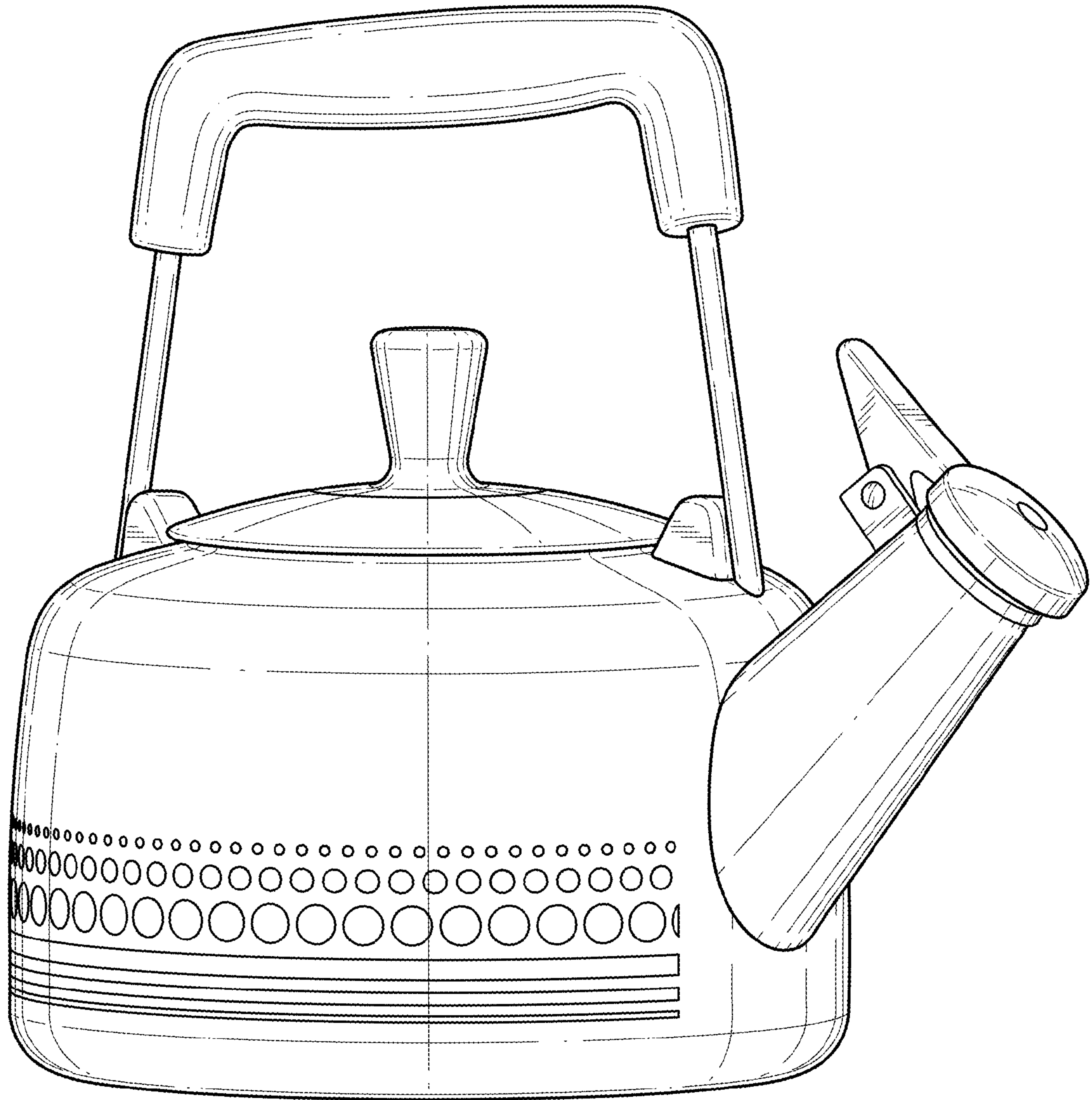
**U.S. PATENT DOCUMENTS**

D364,991 S \* 12/1995 Lee ..... D7/321  
D373,500 S \* 9/1996 Lee ..... D7/312  
D428,758 S \* 8/2000 Santiago ..... D7/312  
D478,767 S \* 8/2003 Lebowitz ..... D7/321

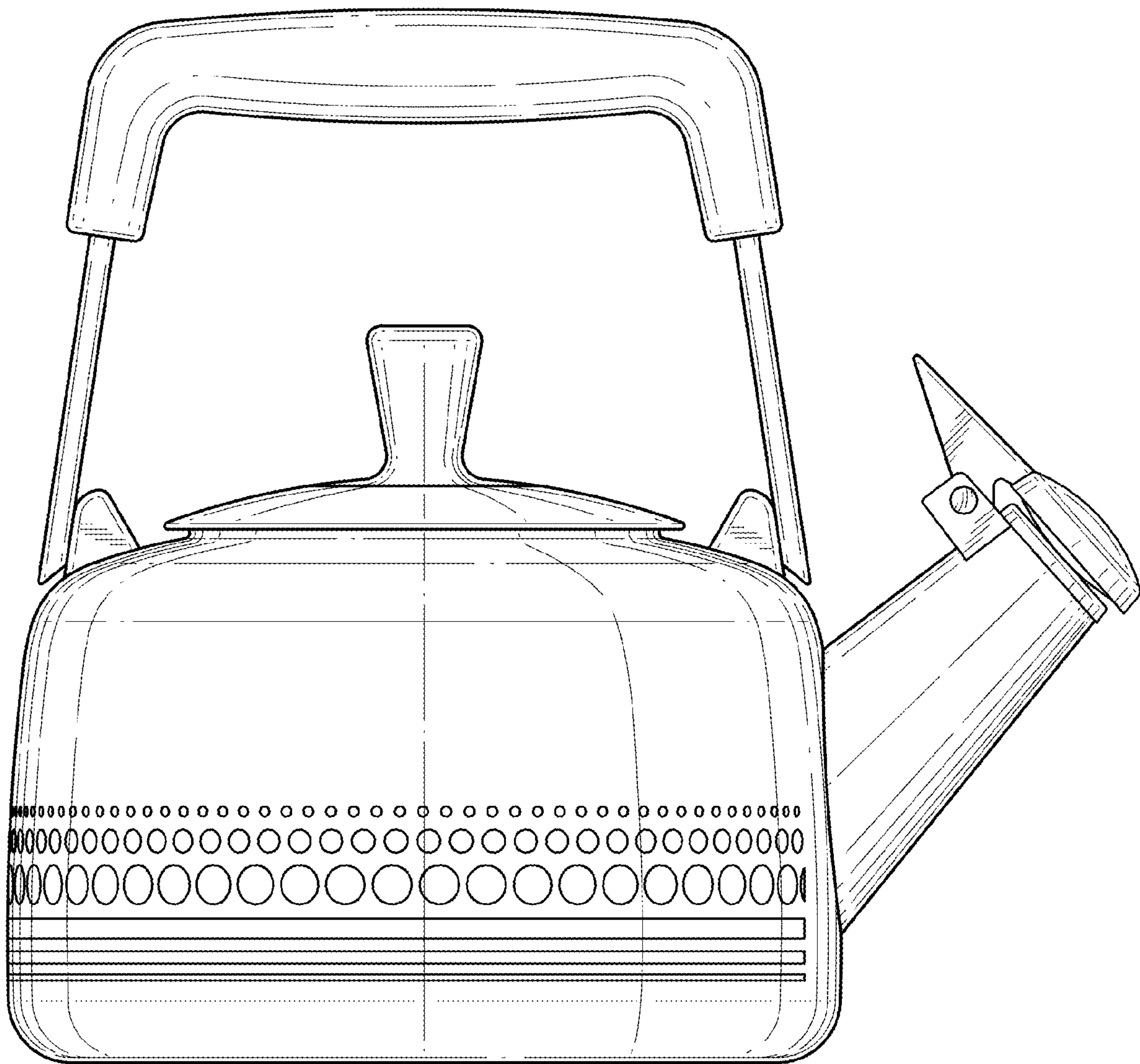
**1 Claim, 6 Drawing Sheets**



**FIG. 1**

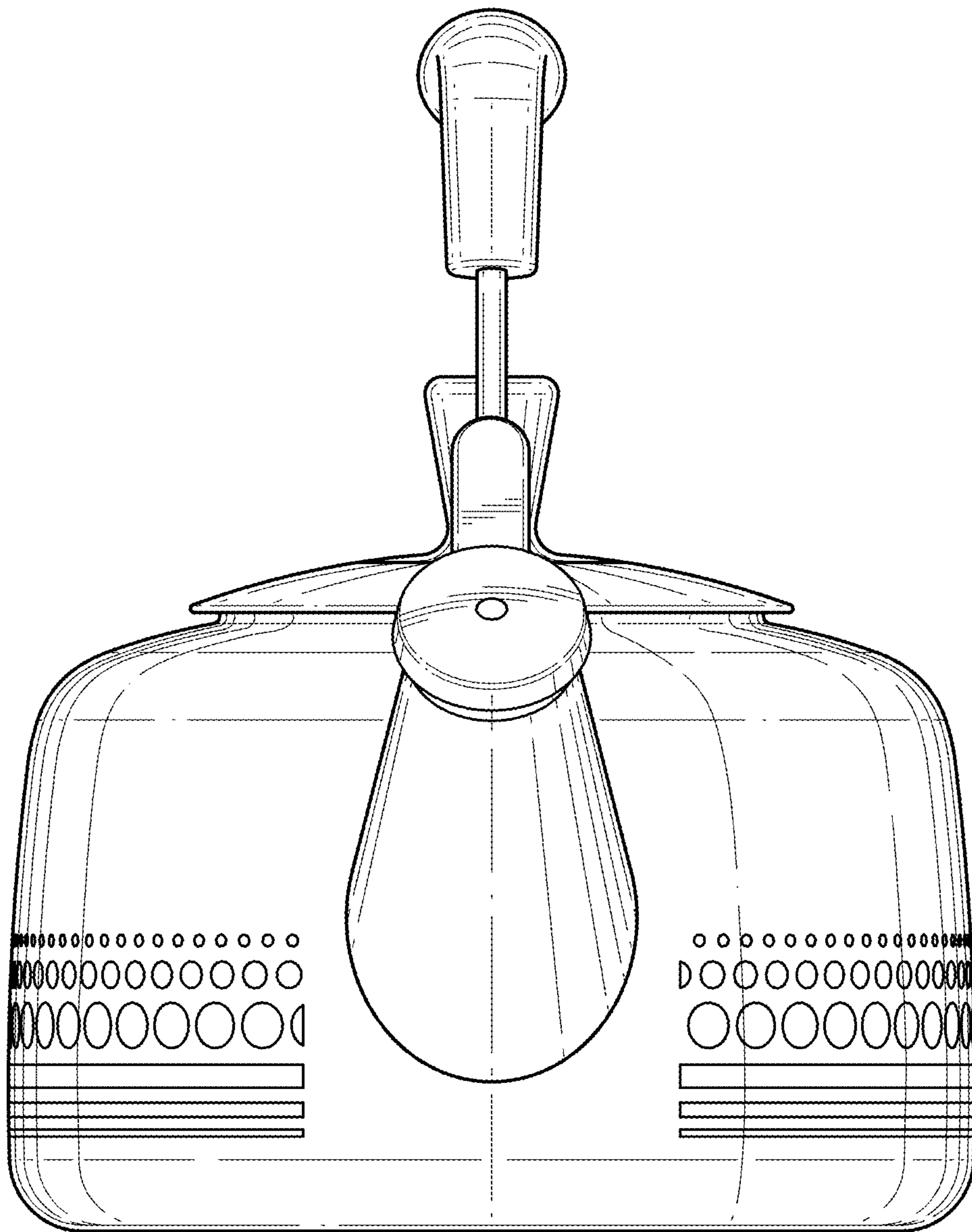


**FIG. 2**

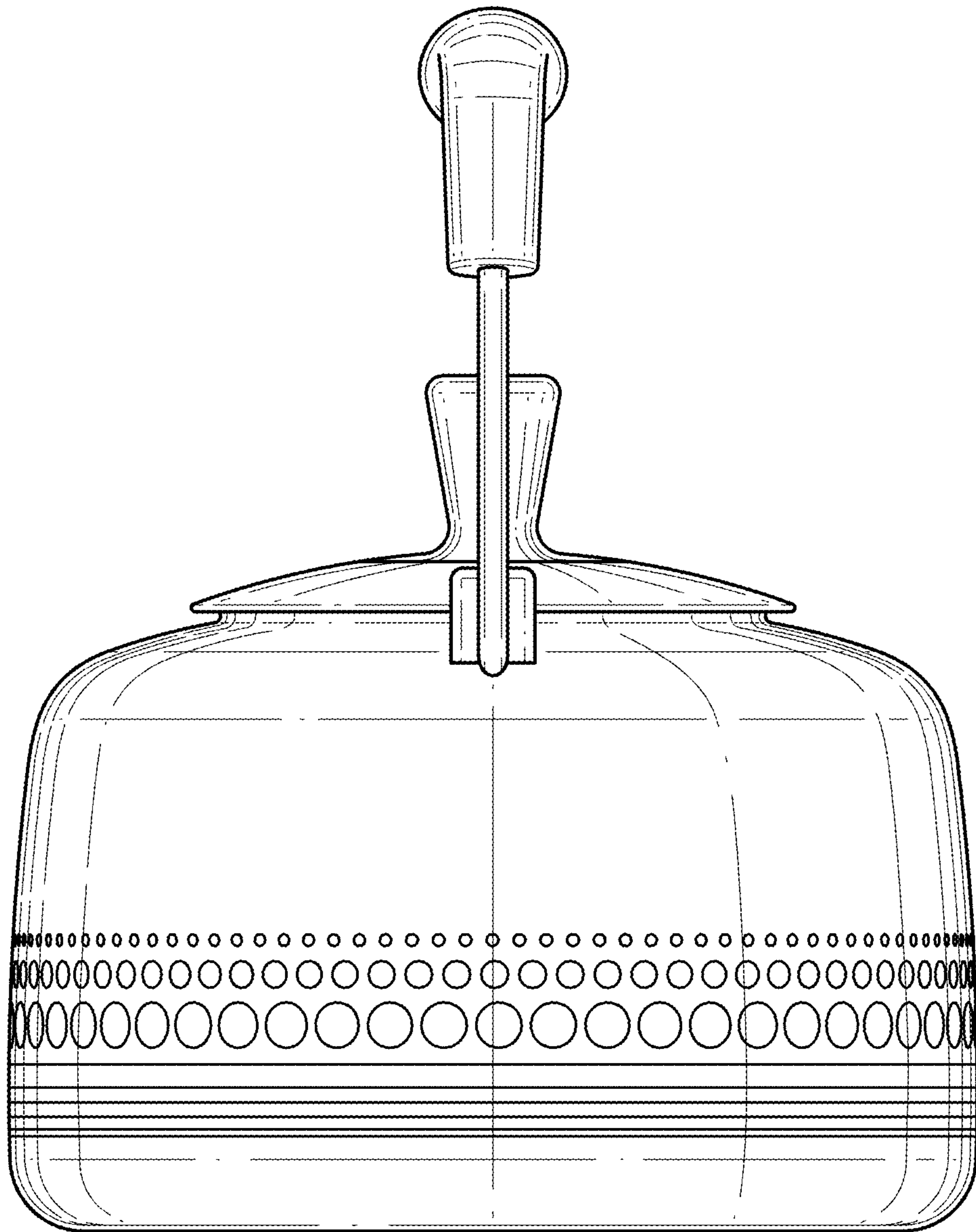




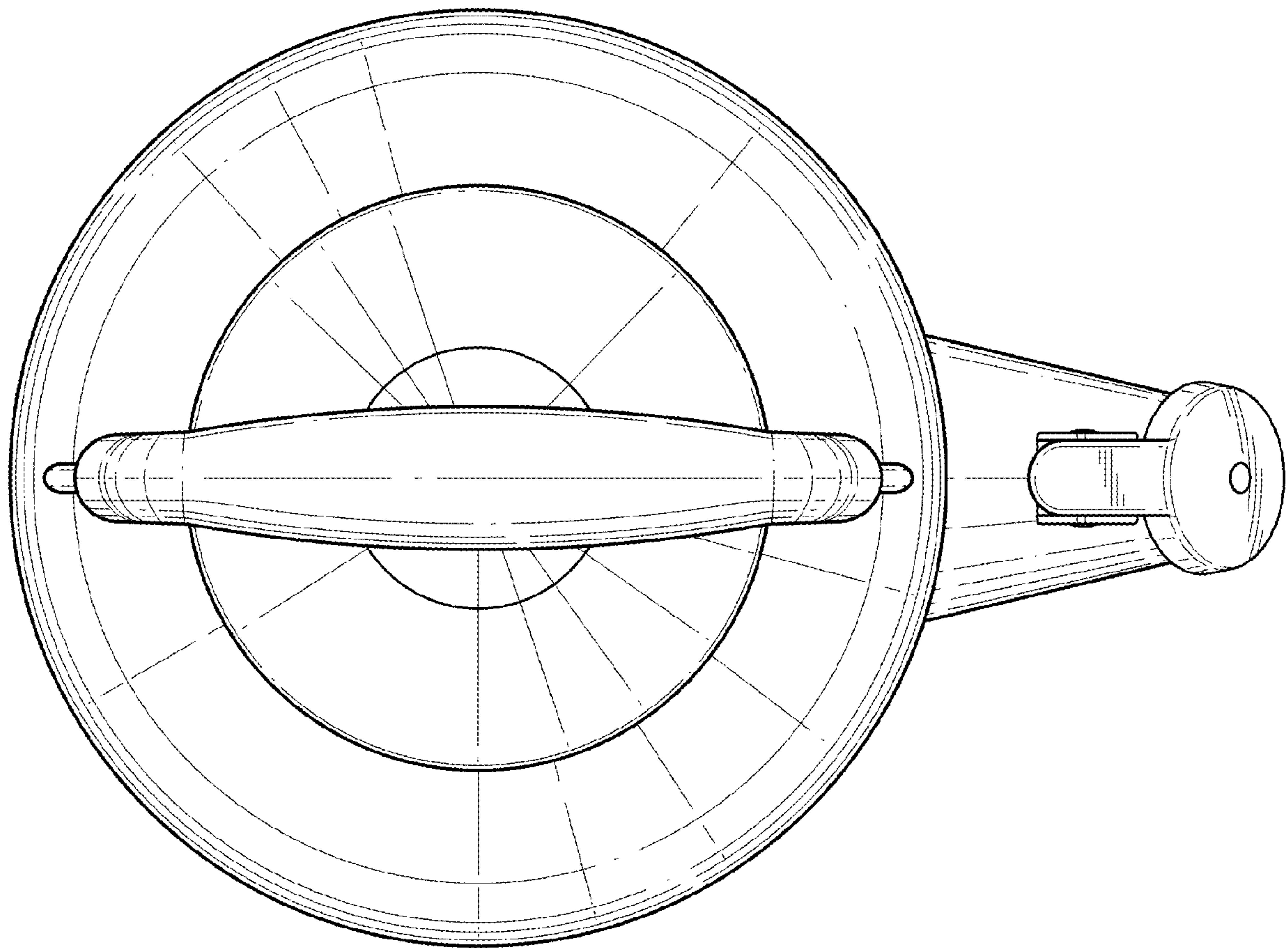
**FIG. 3**



**FIG. 4**



**FIG. 5**



**FIG. 6**

