

US00D957865S

(12) **United States Design Patent**
Lu

(10) **Patent No.:** **US D957,865 S**
(45) **Date of Patent:** **** Jul. 19, 2022**

- (54) **ELECTRIC KETTLE**
- (71) Applicant: **MIDEA GROUP CO., LTD.**,
Guangdong (CN)
- (72) Inventor: **Wenquan Lu**, Guangdong (CN)
- (73) Assignee: **MIDEA GROUP CO., LTD.**, Foshan
(CN)
- (**) Term: **15 Years**
- (21) Appl. No.: **35/510,990**
- (22) Filed: **Sep. 30, 2020**
- (80) **Hague Agreement Data**
Int. Filing Date: **Sep. 30, 2020**
Int. Reg. No.: **DM/211670**
Int. Reg. Date: **Sep. 30, 2020**
Int. Reg. Pub. Date: **Dec. 18, 2020**

- (30) **Foreign Application Priority Data**
Jun. 18, 2020 (CN) 202030314649.7
- (51) **LOC (13) Cl.** **07-02**
- (52) **U.S. Cl.**
USPC **D7/319**
- (58) **Field of Classification Search**
USPC D7/300, 302, 316, 317, 318, 319, 350.1,
D7/354, 608, 619.1, 622, 629
CPC . A21B 2/00; A47J 43/27; A47G 19/22; H05B
6/64
See application file for complete search history.

- (56) **References Cited**
U.S. PATENT DOCUMENTS
D46,665 S * 11/1914 Curtiss D7/300
2,441,892 A * 5/1948 Mattoon A47J 45/077
294/31.2
D178,521 S * 8/1956 Keefe, Jr. D7/317

- D283,584 S * 4/1986 Morin D7/317
- D318,204 S * 7/1991 Naft D7/317
- 6,394,322 B1 * 5/2002 Sekiya A47G 19/12
222/465.1
- D464,522 S * 10/2002 O'Connor D7/317
- D581,718 S * 12/2008 Verdun D7/317
- D608,133 S * 1/2010 Choi D7/319
- D613,988 S * 4/2010 Lane D7/317
- D646,520 S * 10/2011 Collinson D7/376
- D658,925 S * 5/2012 Horimoto D7/319
- D691,409 S * 10/2013 Dichraff D7/317
- D700,467 S * 3/2014 Ruotsalainen D7/316
- D738,669 S * 9/2015 Brook D7/318
- D797,488 S * 9/2017 Silsby D7/319
- D814,849 S * 4/2018 Lee D7/367
- D830,094 S * 10/2018 Barquin D7/318
- D874,862 S * 2/2020 Alexander D7/318
- D874,863 S * 2/2020 Ghalambor Dezfuli D7/319

(Continued)

Primary Examiner — Karen S Acker
(74) *Attorney, Agent, or Firm* — Morgan, Lewis & Bockius LLP

(57) **CLAIM**

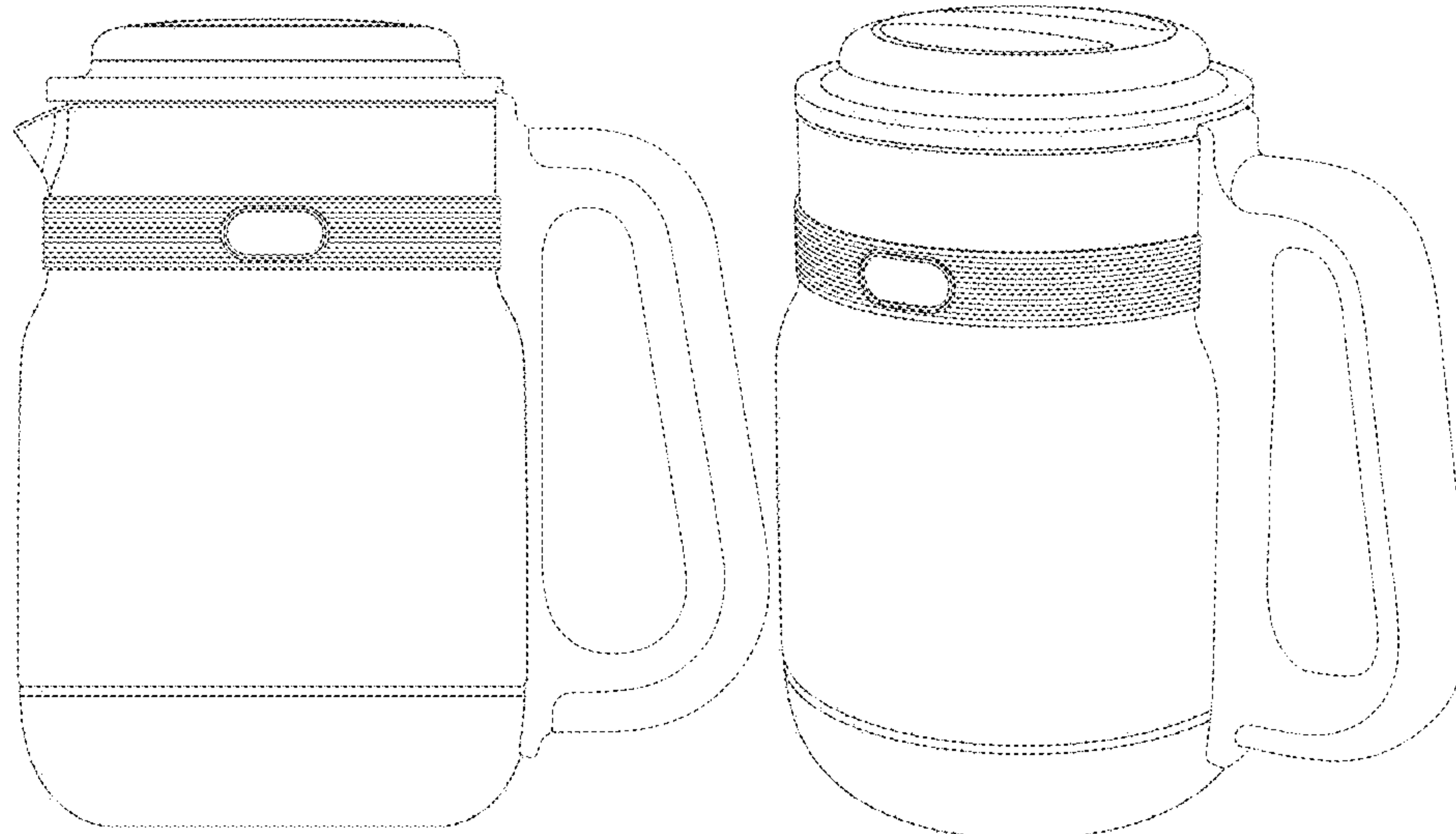
The ornamental design for an electric kettle, as shown and described.

DESCRIPTION

1. Electric kettle
1.1 : Front
1.2 : Back
1.3 : Left
1.4 : Right
1.5 : Top
1.6 : Bottom
1.7 : Perspective
1.8 : Reference view of state of use

The broken lines in the figures depict portions of the electric kettle that form no part of the claimed design. In reproduction **1.8**, the broken lines illustrating a base depict environmental subject matter that forms no part of the claimed design.

1 Claim, 8 Drawing Sheets



(56)

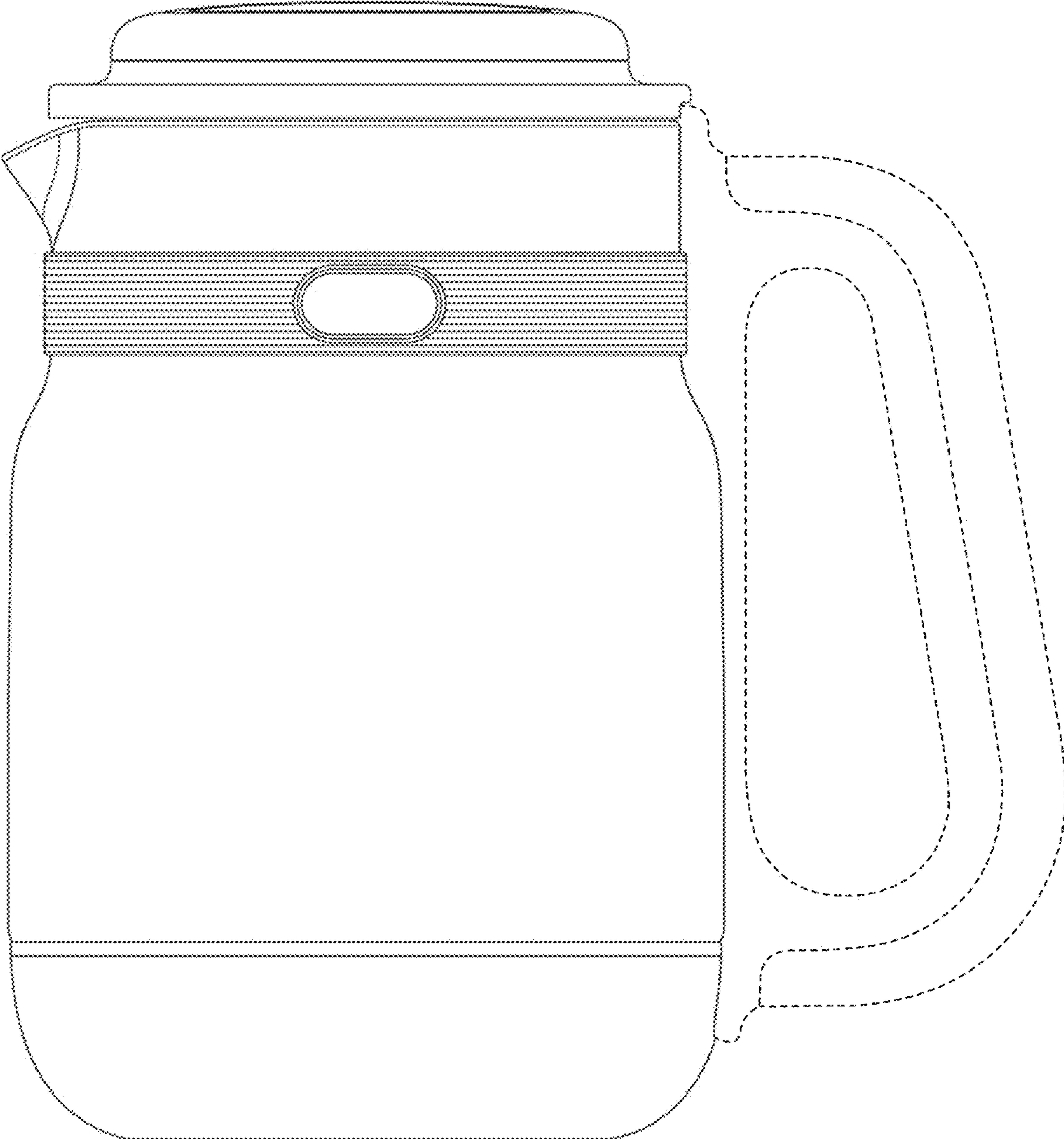
References Cited

U.S. PATENT DOCUMENTS

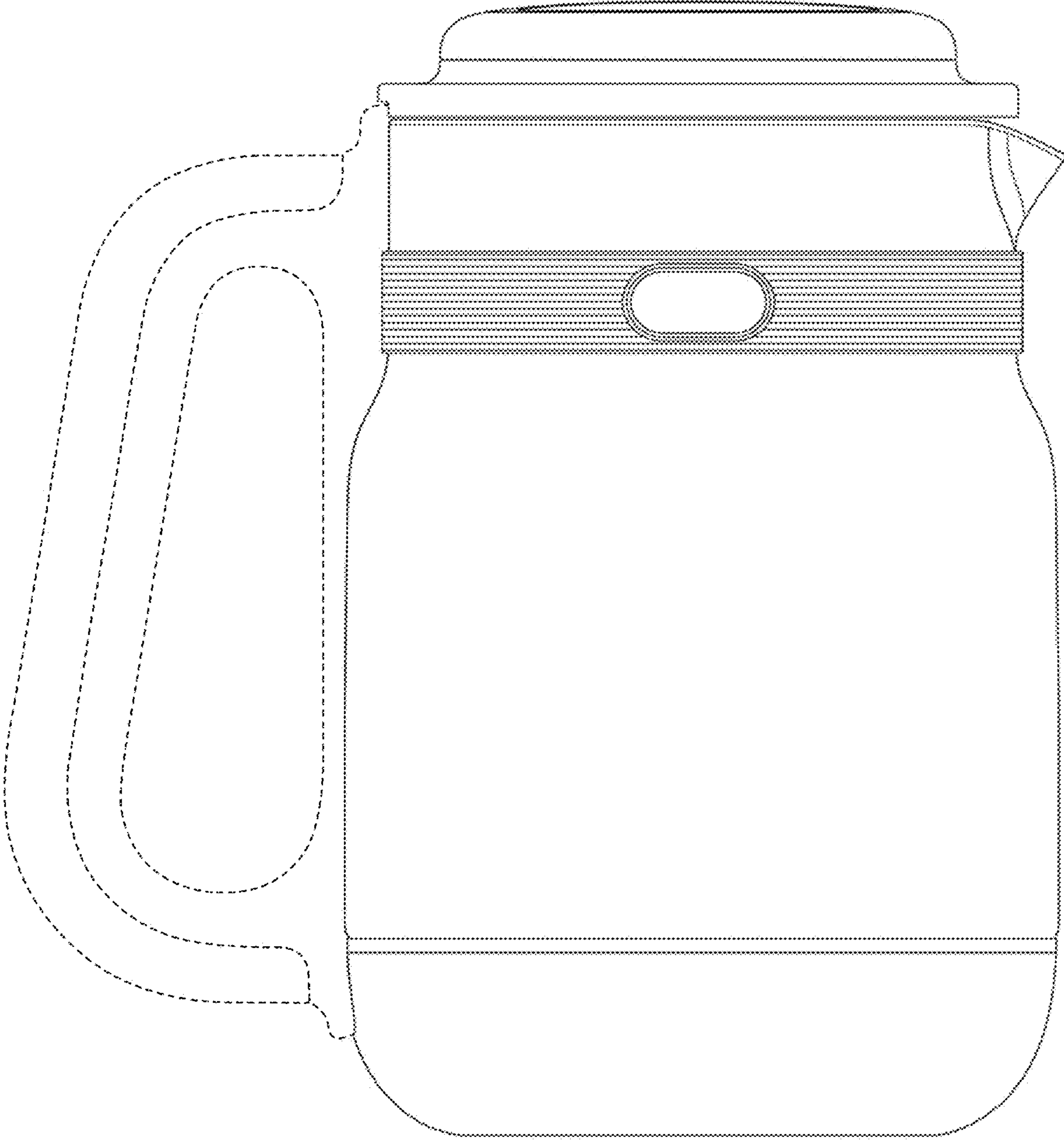
D879,536 S * 3/2020 Fisher Wong D7/317
D880,926 S * 4/2020 Thun A47G 19/12
D889,894 S * 7/2020 Hu D7/317

* cited by examiner

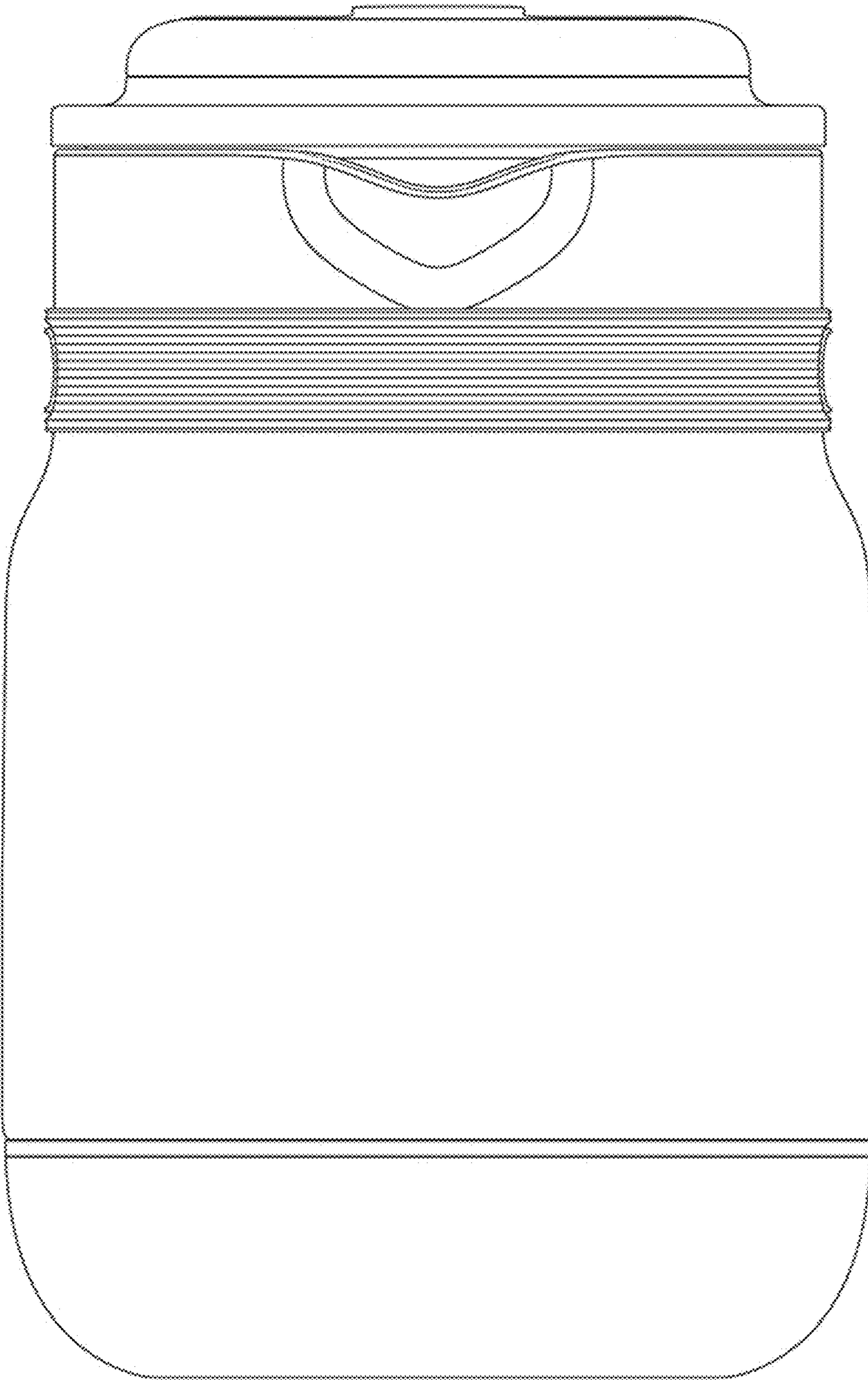
1.1



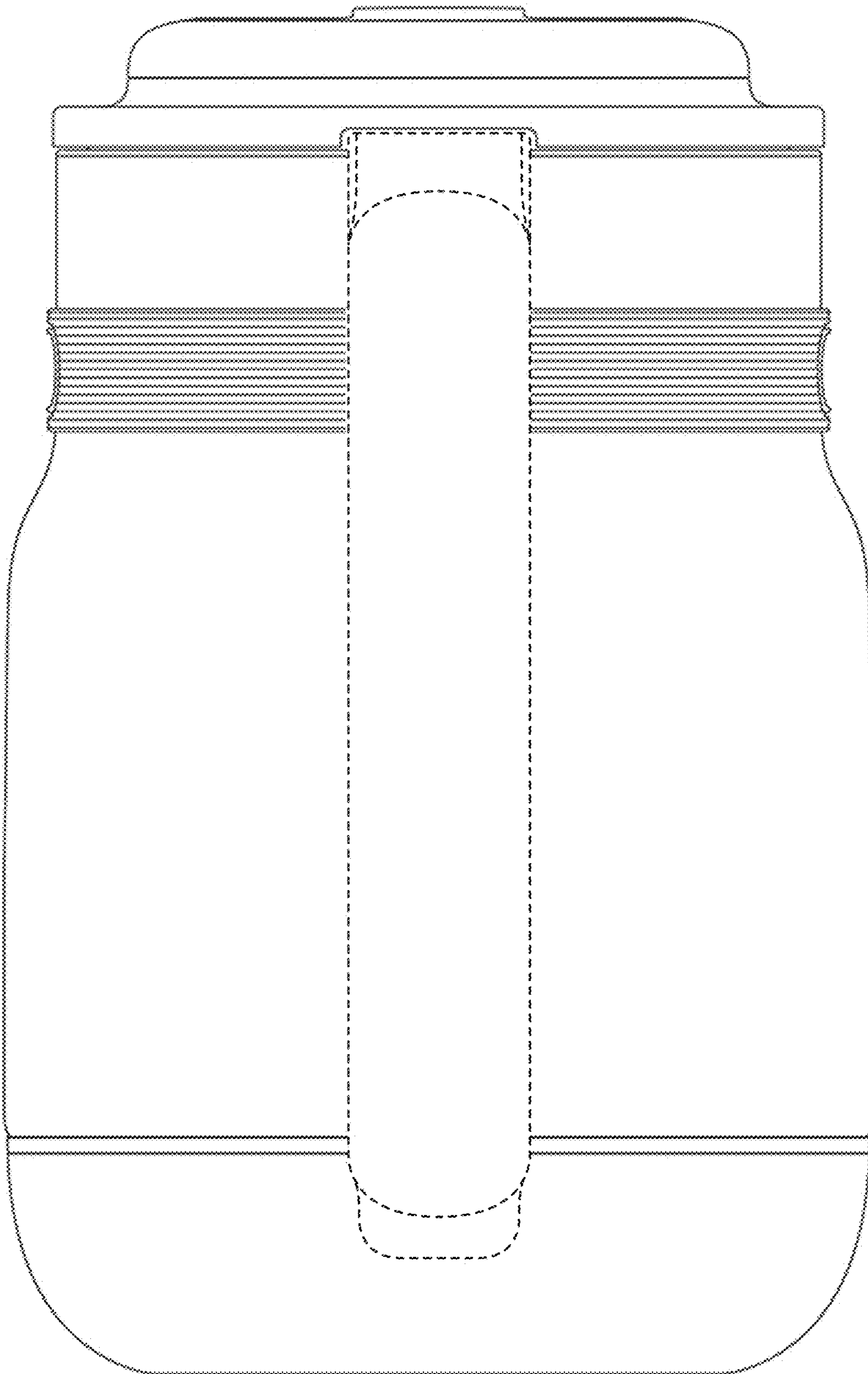
1.2



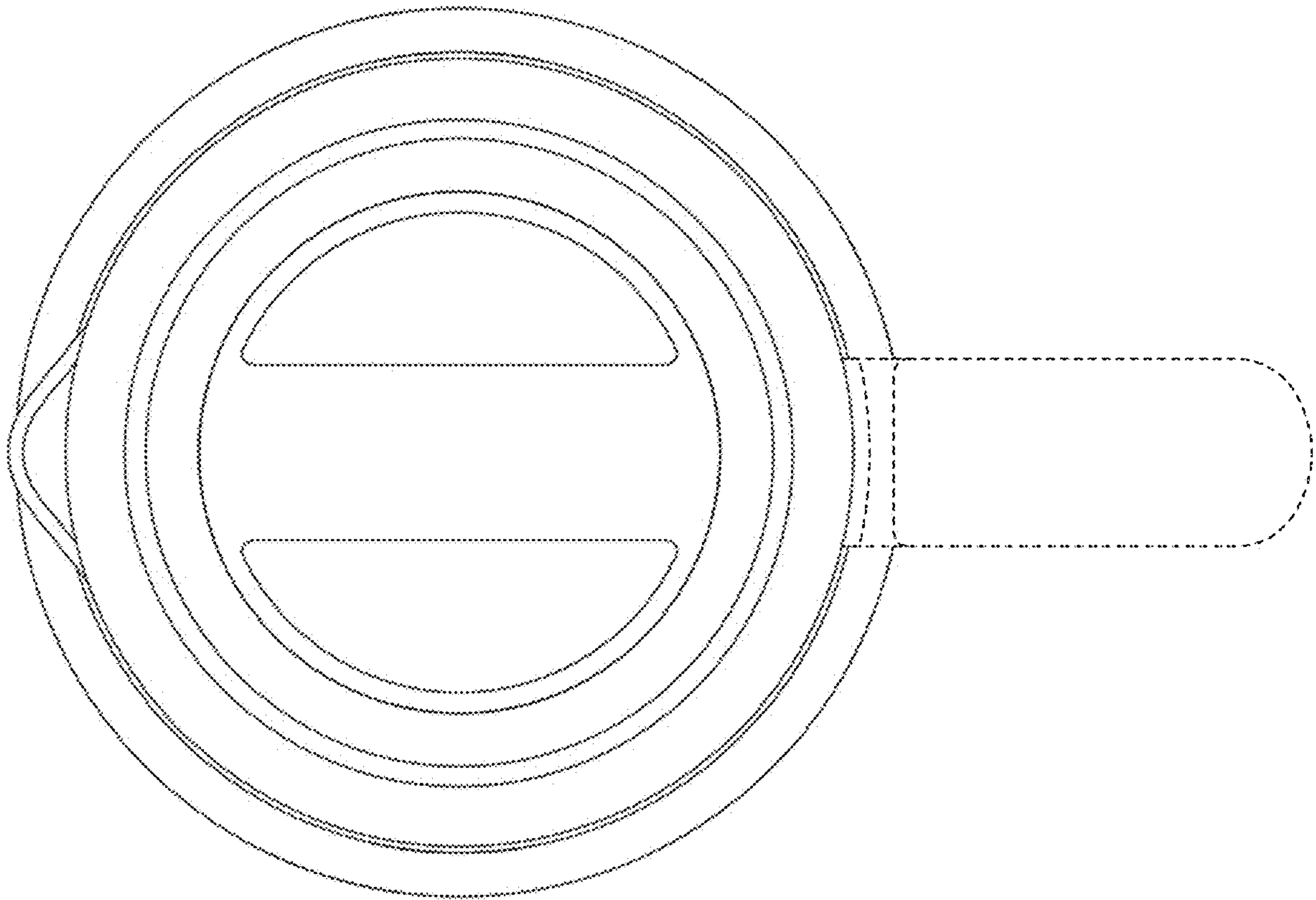
1.3



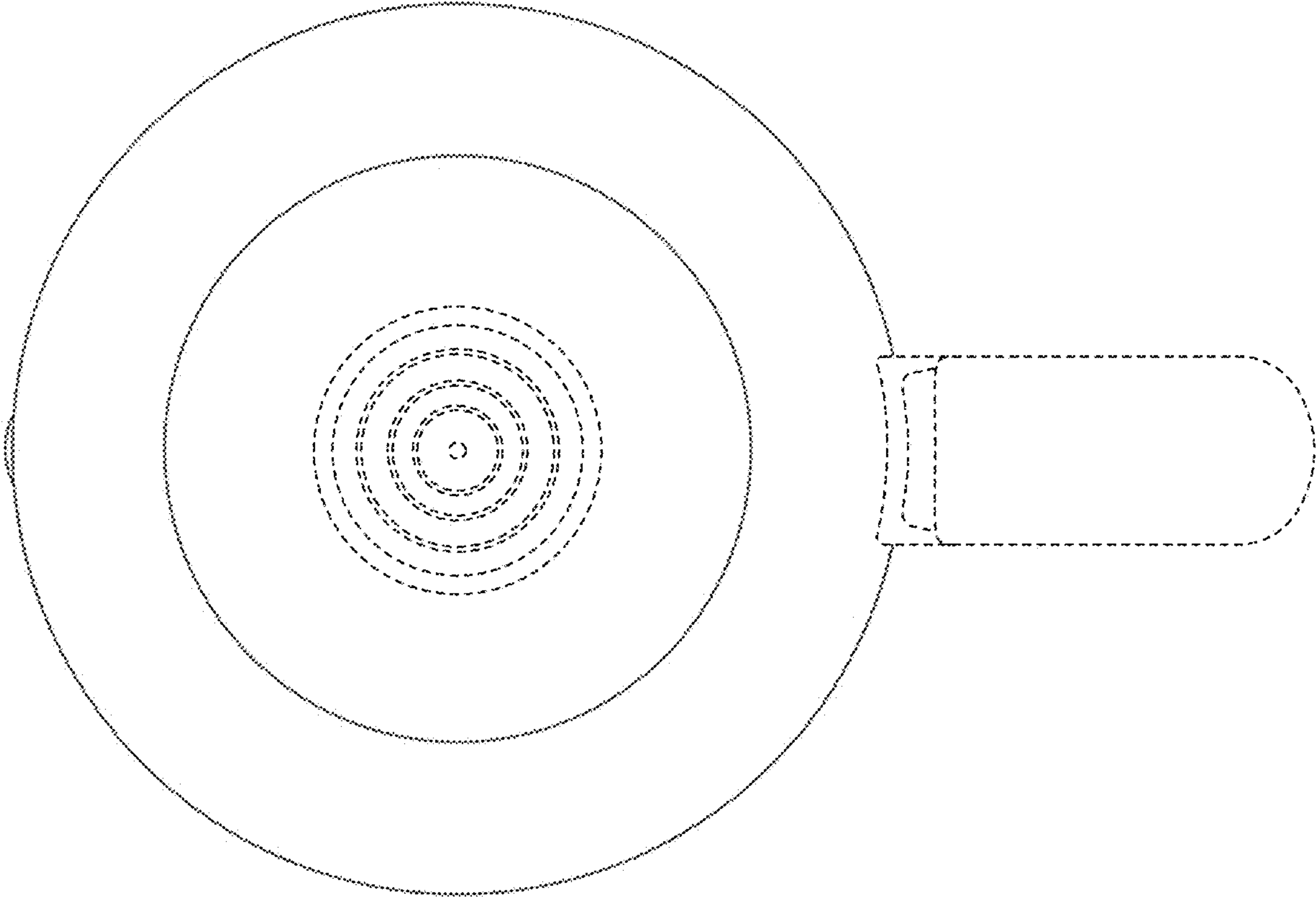
1.4



1.5



1.6



1.7



1.8

