



US00D957863S

(12) **United States Design Patent** (10) **Patent No.:** **US D957,863 S**  
**Zhang** (45) **Date of Patent:** **\*\* Jul. 19, 2022**

(54) **ELECTRIC KETTLE**

(71) Applicant: **SHENZHEN SHENGMINGZHIGUANG INTELLIGENT TECHNOLOGY CO., LTD.,** Shenzhen (CN)

(72) Inventor: **Weiyang Zhang,** Shenzhen (CN)

(73) Assignee: **SHENZHEN SHENGMINGZHIGUANG INTELLIGENT TECHNOLOGY CO., LTD.,** Shenzhen (CN)

(\*\*) Term: **15 Years**

(21) Appl. No.: **29/801,126**

(22) Filed: **Jul. 27, 2021**

(51) **LOC (13) Cl.** ..... **07-01**

(52) **U.S. Cl.**  
USPC ..... **D7/319**

(58) **Field of Classification Search**  
USPC ..... D7/300, 302, 312, 316-319, 321-322, D7/392, 392.1, 396.2, 413, 415, 608, D7/619.1, 622, 629; D9/443; D10/46.2  
CPC .. A47G 19/12; A47G 19/14; A47G 2019/122; A47J 27/004; A47J 27/21; A47J 27/21008; A47J 27/21016; A47J 27/21041; A47J 27/21166; A47J 31/00; A47J 31/005; A47J 31/4421; A47J 31/445; A47J 31/50; A47J 37/0676; A47J 41/00; A47J 41/0016; A47J 41/0022; A47J 41/0027; A47J 41/005; A47J 43/04; A47J 43/042; A47J 43/044

See application file for complete search history.

(56) **References Cited**

**U.S. PATENT DOCUMENTS**

D367,580 S \* 3/1996 Joergensen ..... D7/317  
D490,640 S \* 6/2004 De Visser ..... A47J 27/2105  
D7/319

D498,384 S \* 11/2004 McWilliam ..... D7/319  
D515,865 S \* 2/2006 Kim ..... D7/392.1  
D544,288 S \* 6/2007 Berlencourt ..... D7/319  
D680,792 S \* 4/2013 Bodum ..... D7/319  
D749,885 S \* 2/2016 Kent ..... A47J 37/00  
D7/317

(Continued)

**FOREIGN PATENT DOCUMENTS**

CN 305684707 \* 4/2020  
CN 307080233 \* 1/2022  
EM 008625636-0001 \* 7/2021

**OTHER PUBLICATIONS**

Dezin Direct, "Dezin Electric Kettle with Keep Warm Function," Jun. 30, 2020, Amazon.com, www.amazon.com/dp/B088ZNN4YC (Year: 2020).\*

(Continued)

*Primary Examiner* — Joseph Kukella  
*Assistant Examiner* — Arva P Adams

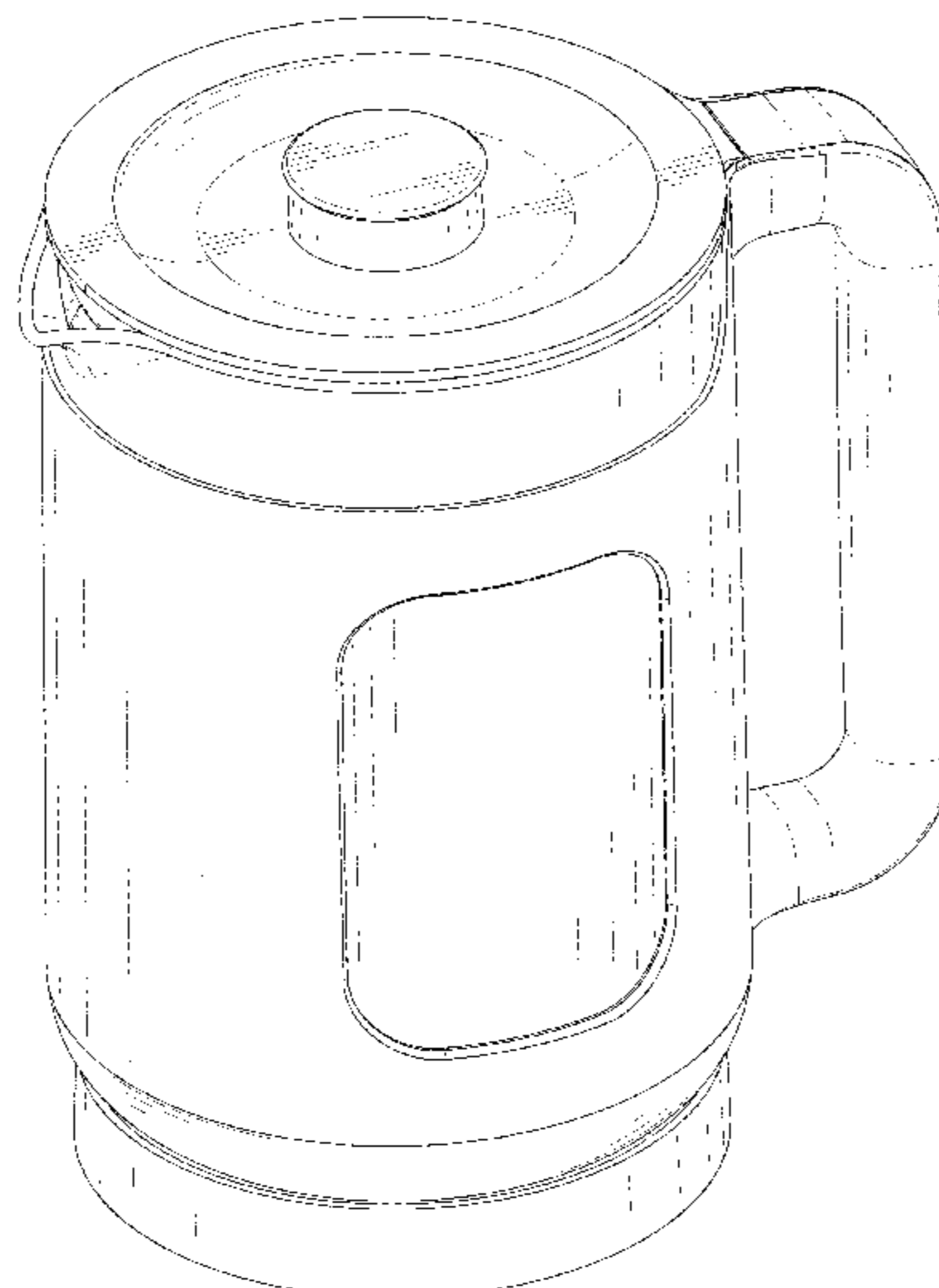
(57) **CLAIM**

The ornamental design for an electric kettle, as shown and described.

**DESCRIPTION**

FIG. 1 is a perspective view of an electric kettle showing my new design;  
FIG. 2 is another perspective view thereof;  
FIG. 3 is a front elevational view thereof;  
FIG. 4 is a rear elevational view thereof;  
FIG. 5 is a left side elevational view thereof;  
FIG. 6 is a right side elevational view thereof;  
FIG. 7 is a top plan view thereof;  
FIG. 8 is a bottom plan view thereof; and,  
FIG. 9 is an exploded perspective view of the electric kettle. The broken lines in the drawings depict portions of the electric kettle that form no part of the claimed design.

**1 Claim, 9 Drawing Sheets**



(56)

**References Cited**

U.S. PATENT DOCUMENTS

D856,732 S \* 8/2019 Ren ..... A47J 41/0055  
D7/318  
D856,734 S \* 8/2019 Lee ..... D7/318  
D883,728 S \* 5/2020 Gort-Barten ..... A47J 37/00  
D7/319  
D884,409 S 5/2020 Bodum  
D885,110 S 5/2020 Katsunuma  
2014/0246428 A1 \* 9/2014 Bodum ..... A47J 41/0055  
220/62.11  
2020/0037806 A1 \* 2/2020 Farhamandfar .... A47J 27/21191  
2020/0174086 A1 \* 6/2020 Jang ..... A47J 27/2105

OTHER PUBLICATIONS

AliExpress, "High Boron Glass Electric Teak Kettle, Water Boiler & Heater," Accessed Jun. 1, 2022, AliExpress, [www.aliexpress.com/item/3256803692533879.html](http://www.aliexpress.com/item/3256803692533879.html) (Year: 2022).\*

\* cited by examiner

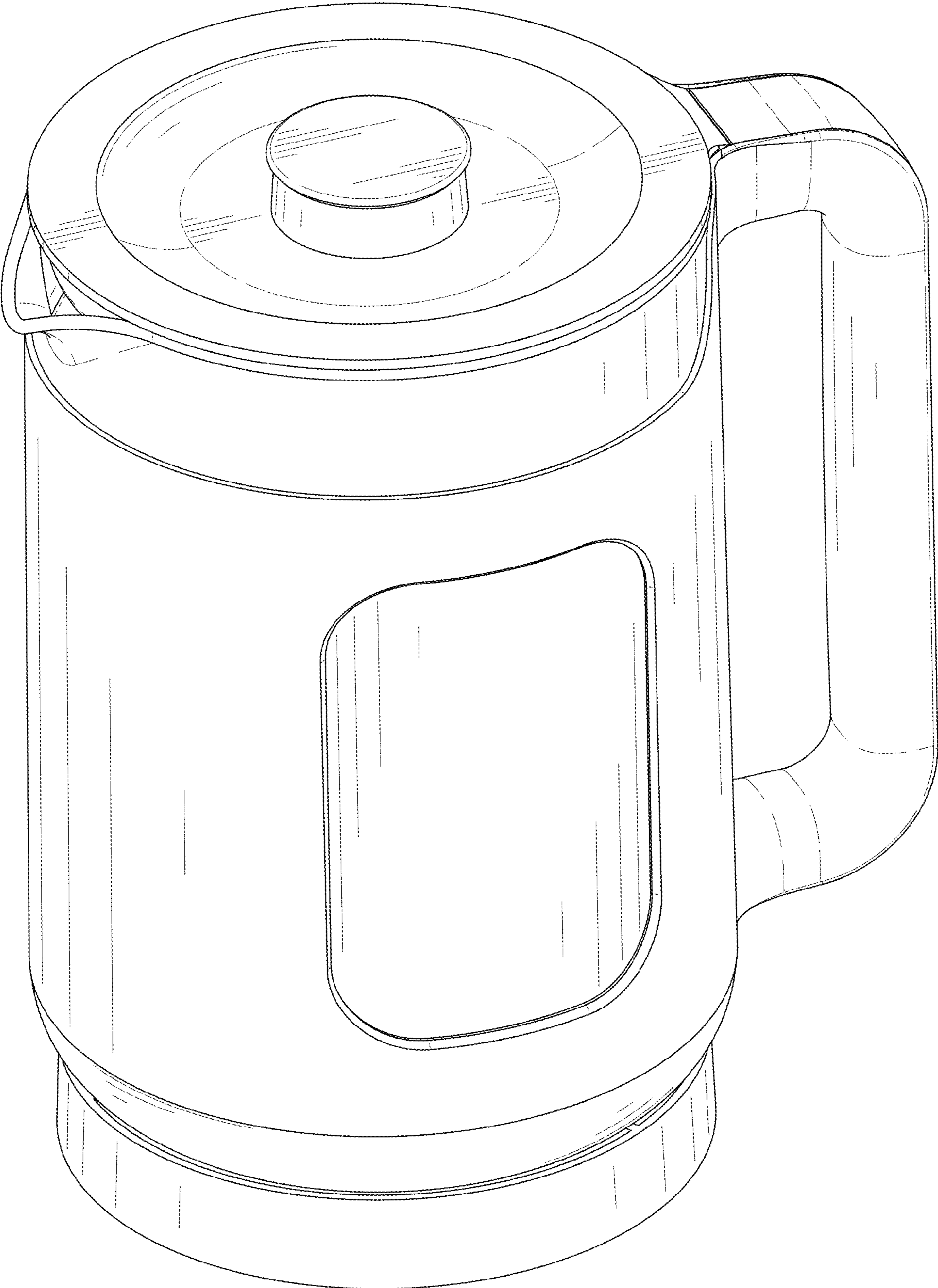


FIG. 1

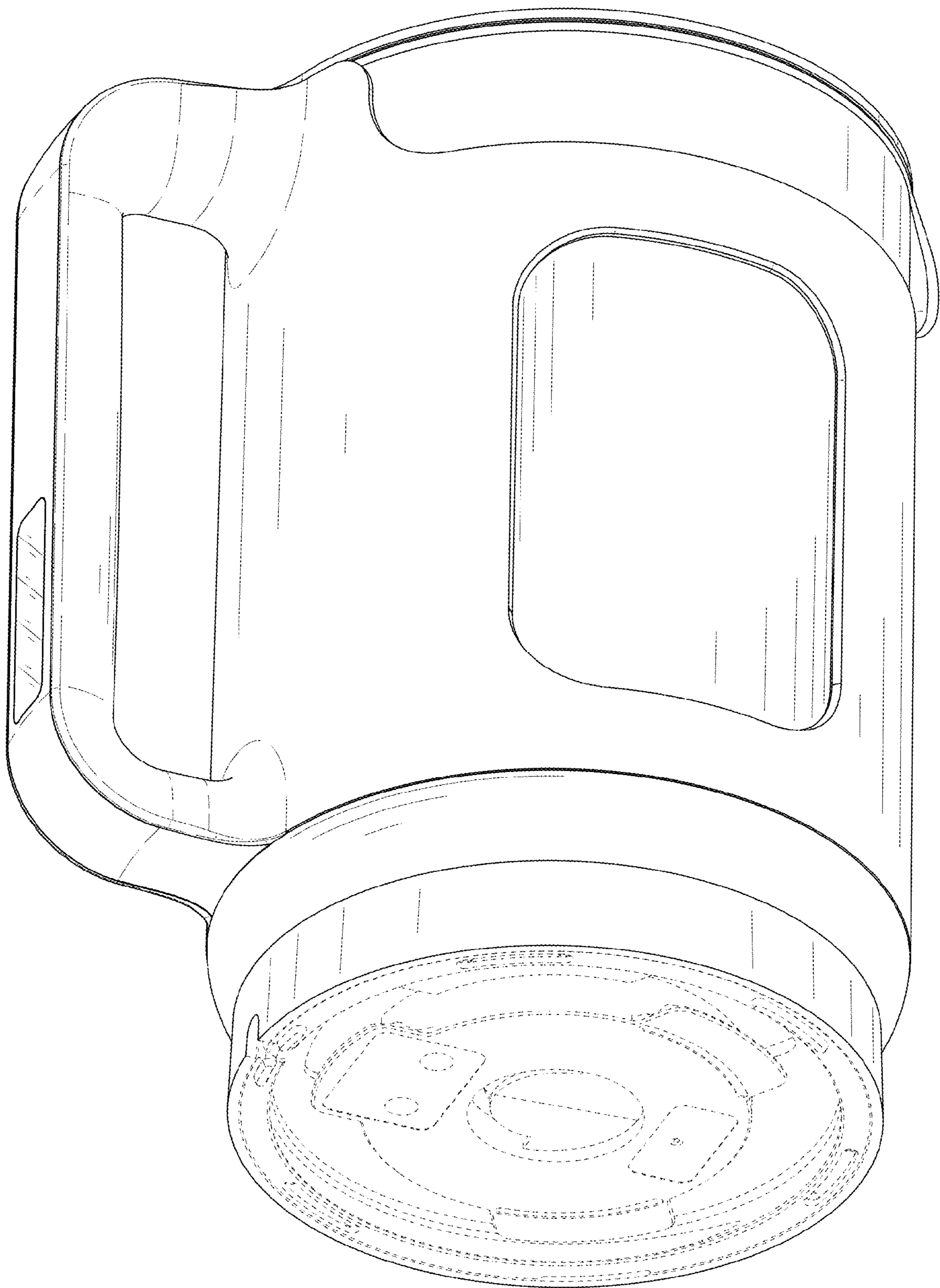


FIG. 2

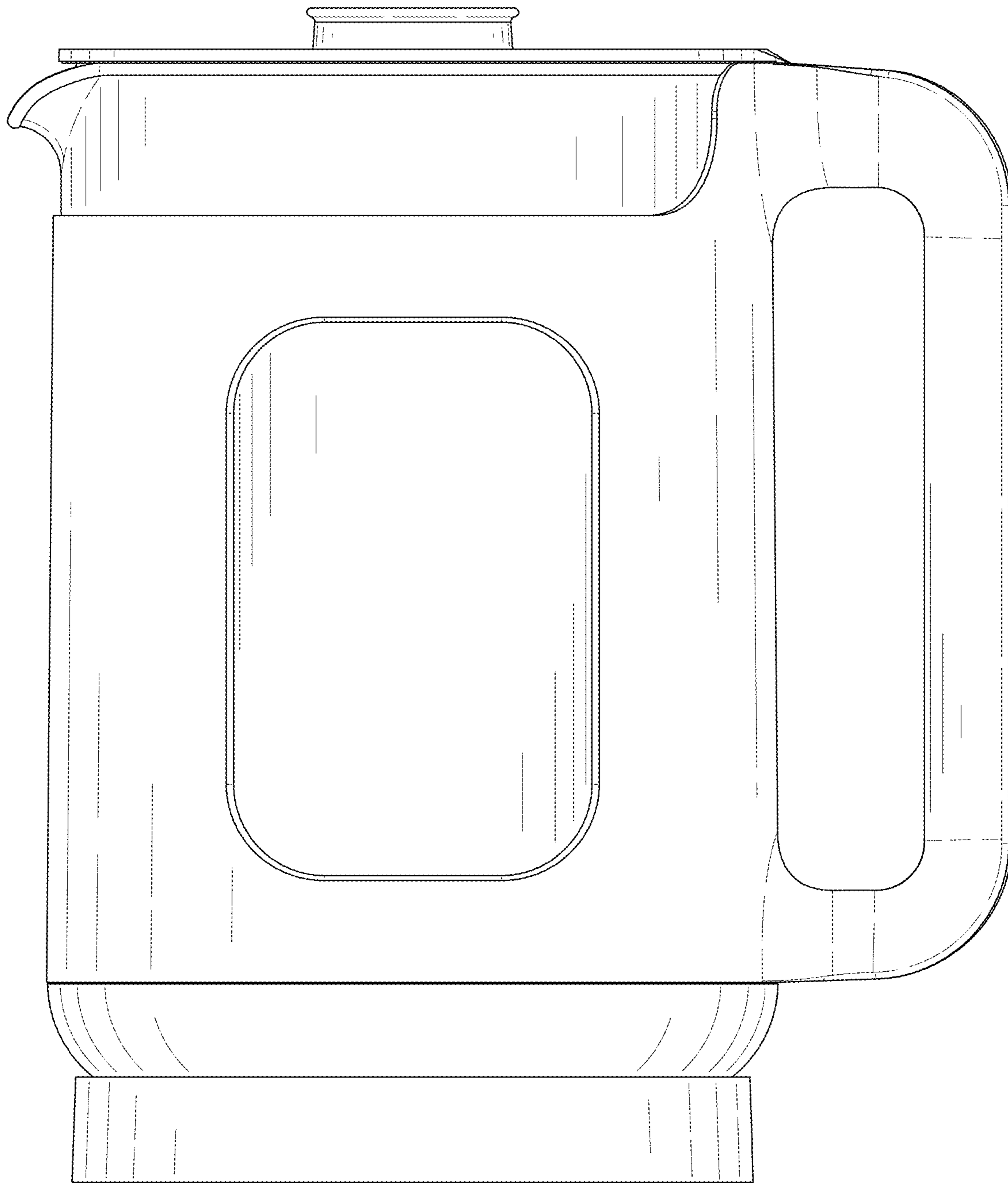


FIG. 3

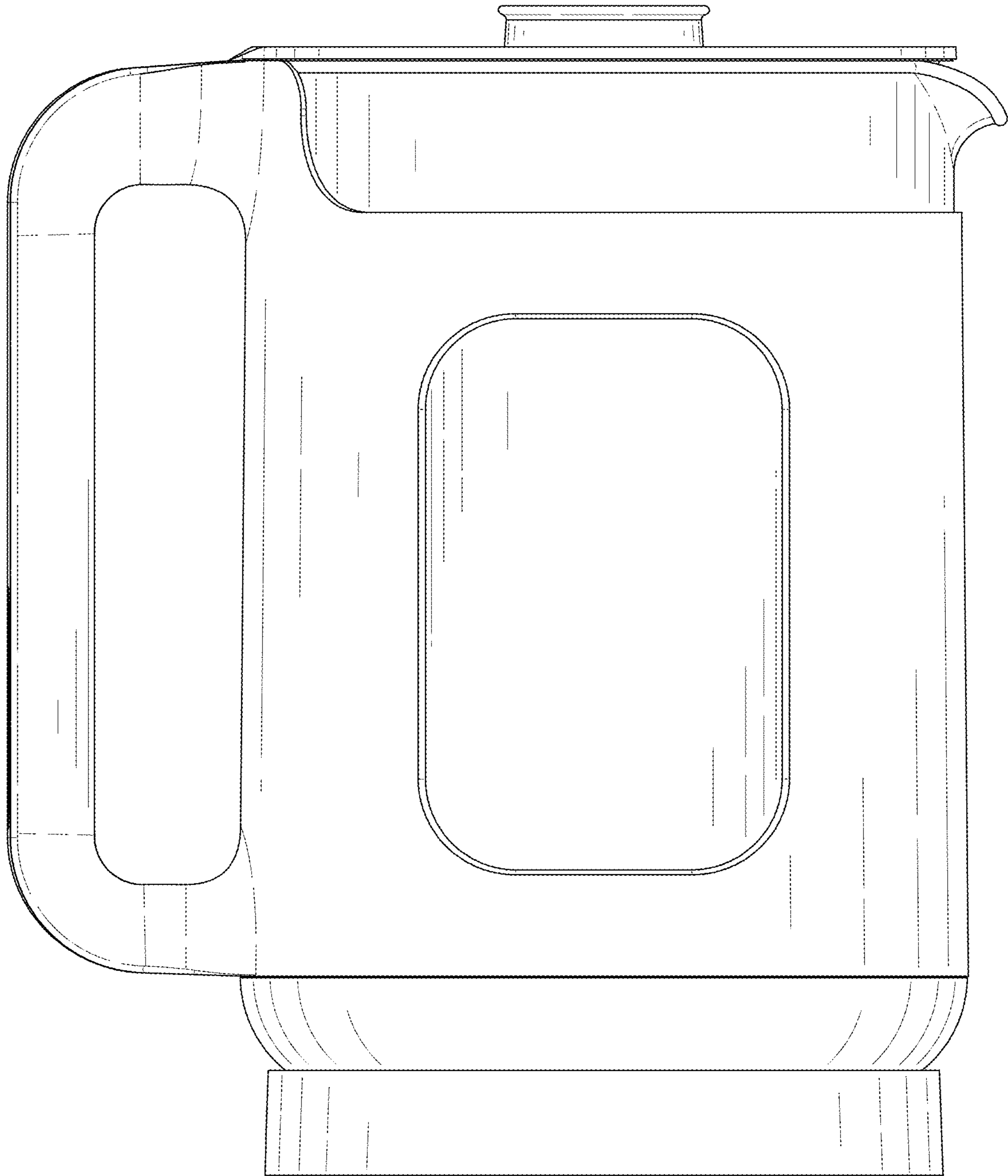


FIG. 4

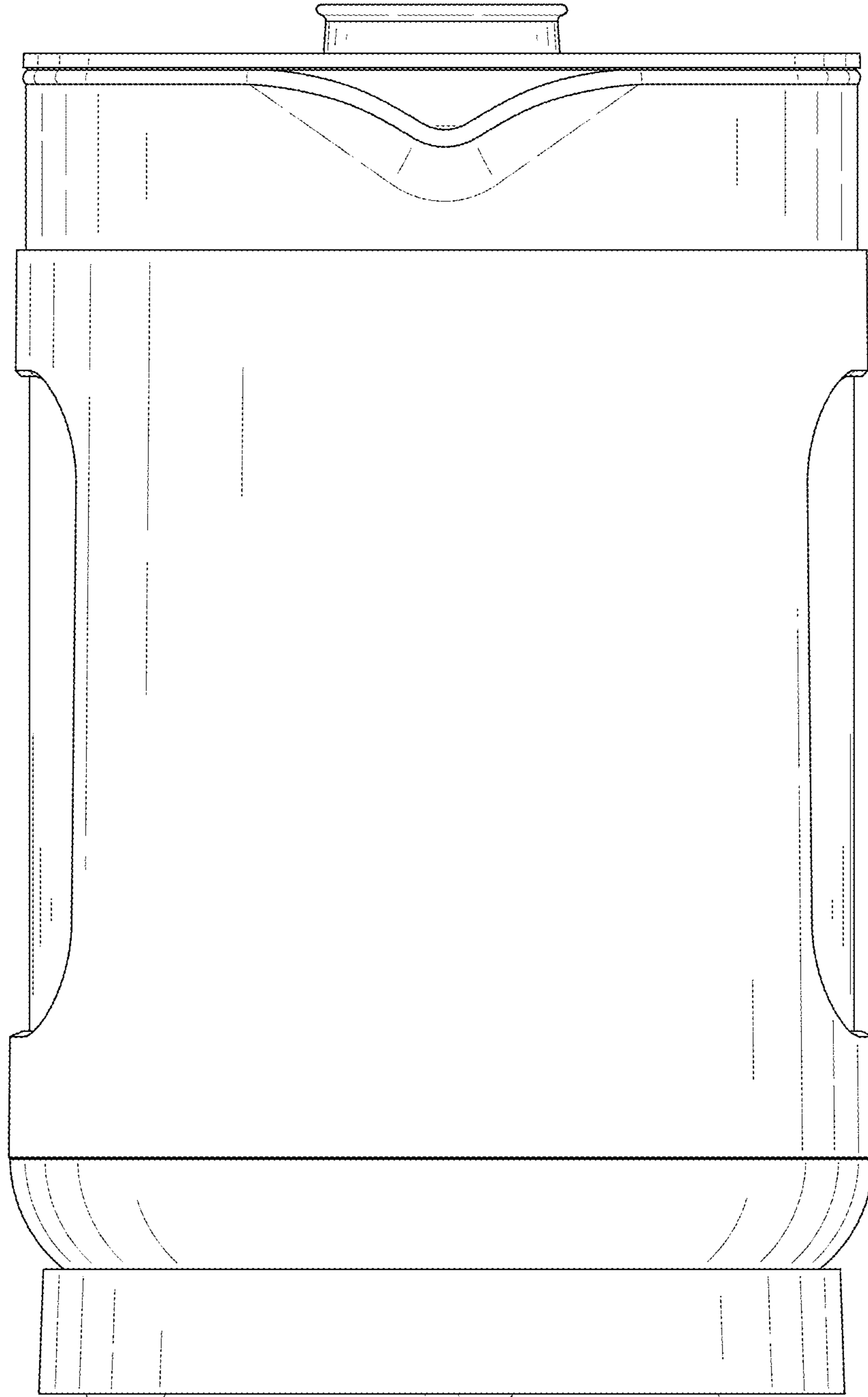


FIG. 5

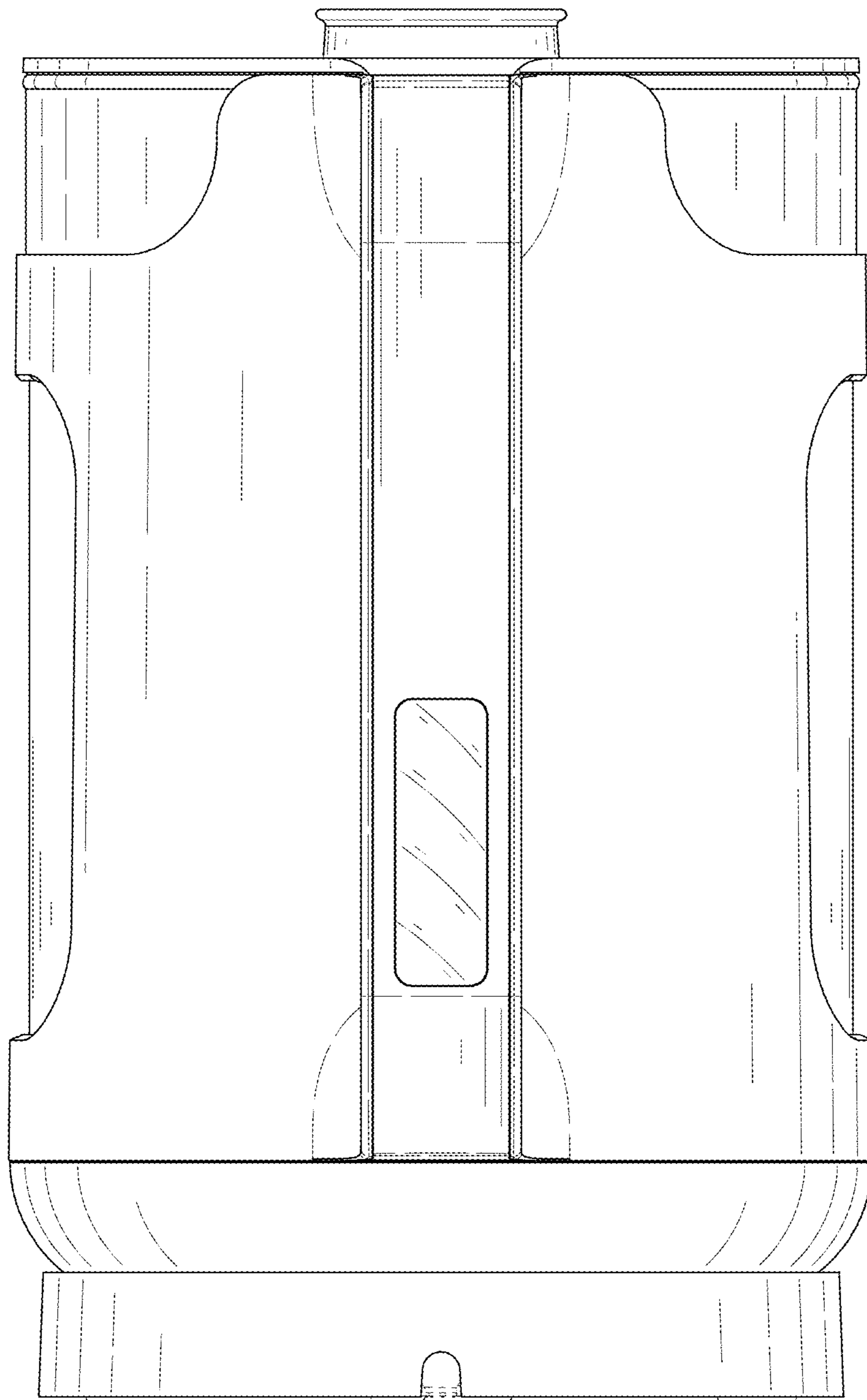


FIG. 6



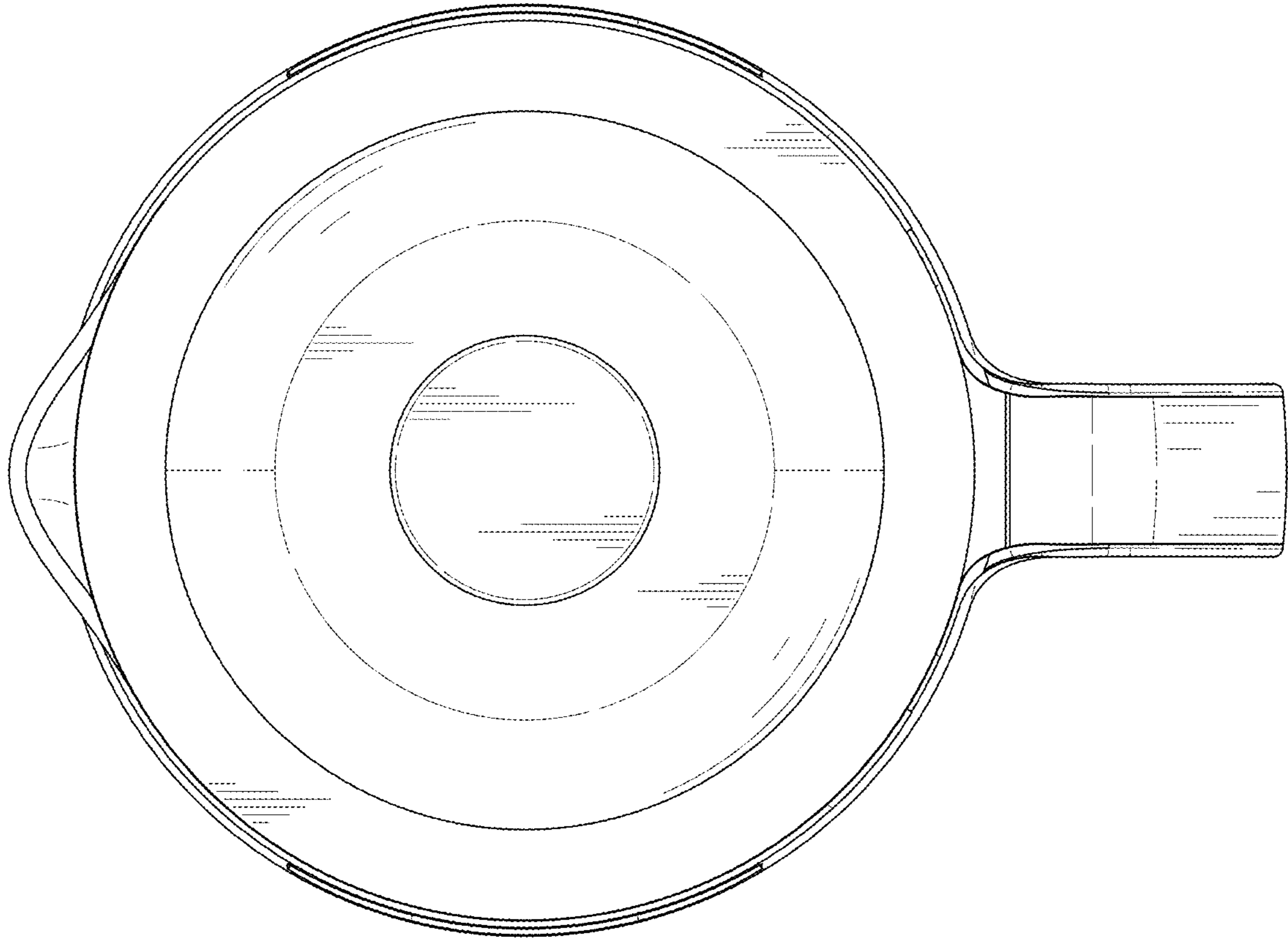


FIG. 7

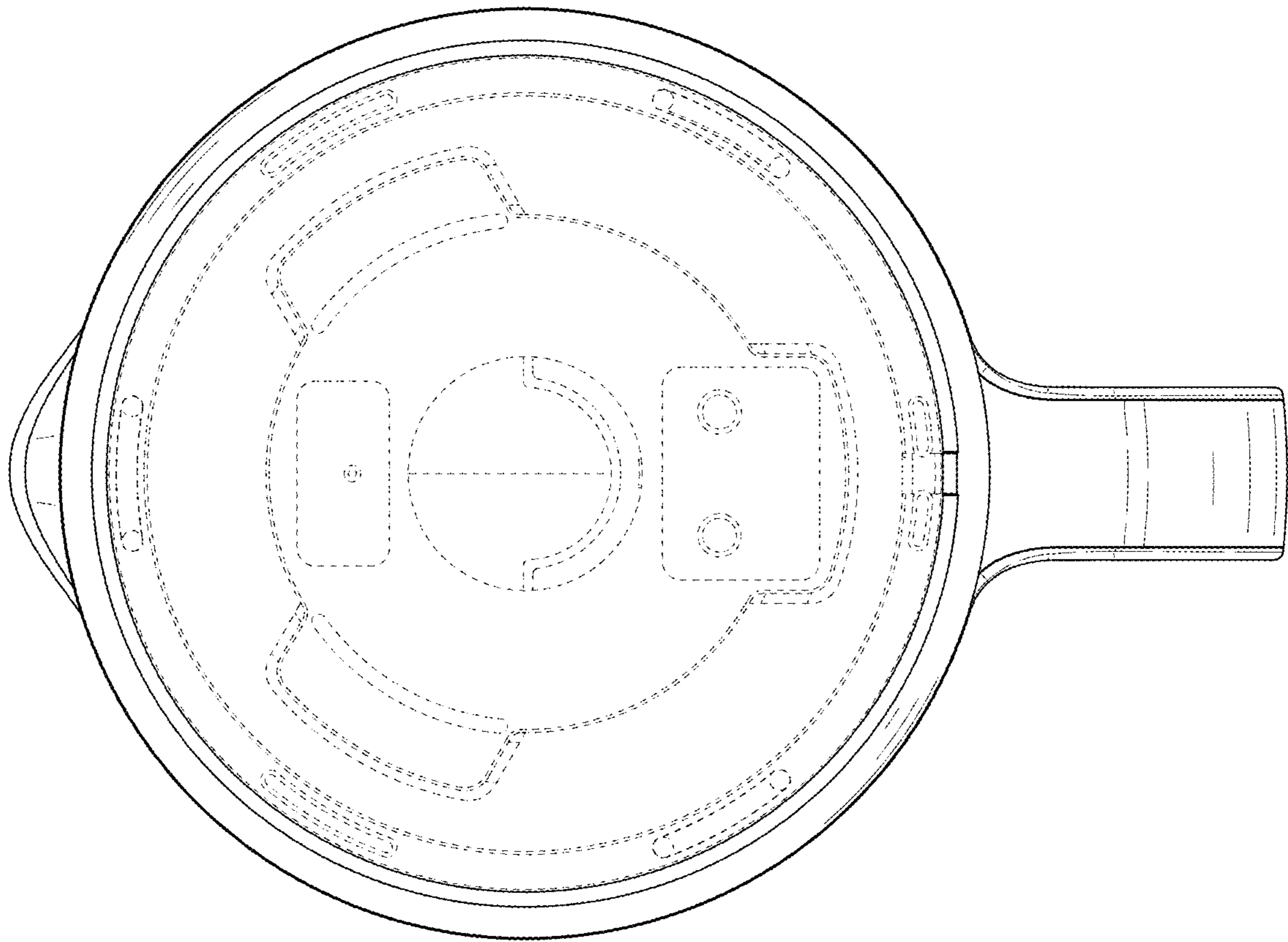


FIG. 8



FIG. 9