



US00D957862S

(12) **United States Design Patent** (10) **Patent No.:** **US D957,862 S**
Wang (45) **Date of Patent:** **** Jul. 19, 2022**

(54) **FRENCH PRESS COFFEE MAKER**

(71) Applicant: **SHENZHEN LIYIJIUJIU NETWORK TECHNOLOGY CO., LTD.**, Shenzhen (CN)

(72) Inventor: **Xuzhong Wang**, Dongguan (CN)

(73) Assignee: **SHENZHEN LIYIJIUJIU NETWORK TECHNOLOGY CO., LTD.**, Shenzhen (CN)

(**) Term: **15 Years**

(21) Appl. No.: **29/724,558**

(22) Filed: **Feb. 18, 2020**

(51) **LOC (13) Cl.** **07-01**

(52) **U.S. Cl.**
USPC **D7/319; D7/317**

(58) **Field of Classification Search**
USPC D7/300, 302, 303, 312, 316-319, 321, D7/322, 373, 399, 415, 507, 509-511, D7/600; D10/46.2; D9/524, 526, 527
CPC A47G 19/14; A47G 19/145; A47G 19/16; A47J 31/005; A47J 31/18; A47J 31/20; A47J 31/38; B65D 23/06

See application file for complete search history.

(56) **References Cited**

U.S. PATENT DOCUMENTS

D377,132 S *	1/1997	Jørgensen	D7/318
D383,638 S *	9/1997	Joergensen	D7/317
D383,639 S *	9/1997	Jorgensen	D7/318
D384,539 S *	10/1997	Joergensen	D7/316
D384,540 S *	10/1997	Joergensen	D7/317
D386,040 S *	11/1997	Joergensen	D7/317
D386,351 S *	11/1997	Joergensen	D7/317
D458,074 S *	6/2002	Bodum	A47J 31/20
				D7/317
D513,919 S *	1/2006	Bodum	D7/317
D559,028 S *	1/2008	Appleton	D7/317

D565,887 S *	4/2008	Bodum	D7/317
D567,006 S *	4/2008	Bodum	D7/317
D567,007 S *	4/2008	Bodum	D7/317
D594,267 S *	6/2009	Bodum	D7/317
D594,687 S *	6/2009	Bodum	D7/300
D610,860 S *	3/2010	Bodum	D7/319

(Continued)

FOREIGN PATENT DOCUMENTS

CA	80204	*	3/1997
CA	120081	*	2/2008

(Continued)

OTHER PUBLICATIONS

OXO, "Happy National Cappuccino Day!", Nov. 8, 2012, Facebook, www.facebook.com/OXO/photos/a.186300426872/10151316658901873 (Year: 2012).*

(Continued)

Primary Examiner — Joseph Kukella
Assistant Examiner — Arva P Adams

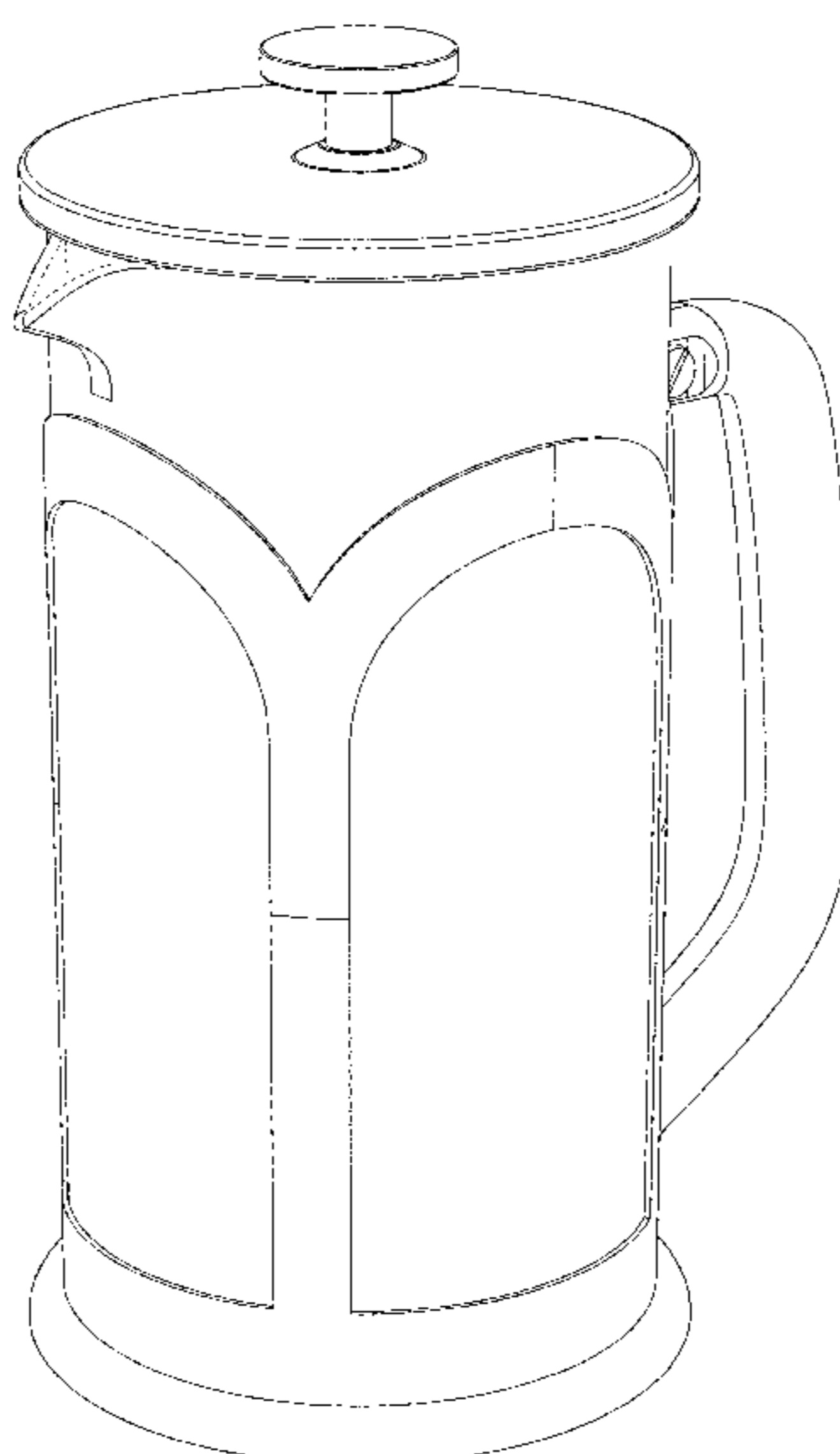
(57) **CLAIM**

The ornamental design for a French press coffee maker, as shown and described.

DESCRIPTION

FIG. 1 is a top-right perspective view of a French press coffee maker, showing my new design;
FIG. 2 is bottom-right perspective view thereof;
FIG. 3 is a front elevational view thereof;
FIG. 4 is a rear elevational view thereof;
FIG. 5 is a bottom plan view thereof;
FIG. 6 is a top plan view thereof;
FIG. 7 is a right side elevational view thereof; and,
FIG. 8 is a left side elevational view thereof.
The broken lines depict portions of the French press coffee maker that form no part of the claimed design.

1 Claim, 8 Drawing Sheets



(56)

References Cited

U.S. PATENT DOCUMENTS

D654,756 S *	2/2012	Bodum	D7/319
D663,155 S *	7/2012	Bodum	D7/319
D677,103 S *	3/2013	Melzer	D7/319
D718,566 S *	12/2014	Lu	D7/319
D718,567 S *	12/2014	Lu	D7/319
D755,018 S *	5/2016	Liotta	D7/622
D795,630 S *	8/2017	McLean	D7/317
D802,977 S *	11/2017	Bodum	D7/317
2011/0088561 A1 *	4/2011	Bodum	A47J 31/20 99/297
2021/0085121 A1 *	3/2021	Liang	A47J 31/20

FOREIGN PATENT DOCUMENTS

CN	305841245	*	6/2020
EM	000842489-0002	*	1/2008
ES	D0511503-01	*	1/2011
JP	D1541678	*	1/2016
WO	WO-D072507-001	*	4/2010
WO	WO-D094953-001	*	3/2017

OTHER PUBLICATIONS

Yolkshire, "A piping hot French Press Coffee is just what you need when the #WinterIsComing," Jul. 17, 2017, Instagram, www.instagram.com/p/BWojNdbAN8K/ (Year: 2017).*

Creative Home, "Creative Home Glass French Press Coffee Plunger/Tea Maker," Oct. 11, 2017, Amazon.com, www.amazon.com/dp/B076CH3TSL (Year: 2017).*

Brim, "Brim 8 Cup French Press Instruction Manual," Apr. 4, 2019, Brim Brands LLC, pp. 1, 3, 4, and 14. (Year: 2019).*

Theredheadedjen, "Yes, I am well aare that I'm brewing a French press coffee at 2000.," Dec. 28, 2019, Instagram, www.instagram.com/p/B6o4rx5AmrN/ (Year: 2019).*

Sincerely Hers, "Bronze Tone 1 Liter Large Glass and Stainless Steel French Press Coffee and Loose Tea Maker," Aug. 16, 2019, Amazon.com, www.amazon.com/dp/B07WH3HPYL (Year: 2019).*

Kingfishercafe_simcoe, "It's a French Press coffee afternoon here in Cancun.," Dec. 21, 2019, Instagram, www.instagram.com/p/B6V9xwWBdMt/ (Year: 2019).*

Veken, "Veken French Press Coffee & Tea Maker," Jul. 28, 2020, Amazon.com, www.amazon.com/dp/B08DQV7WKW (Year: 2020).*

* cited by examiner

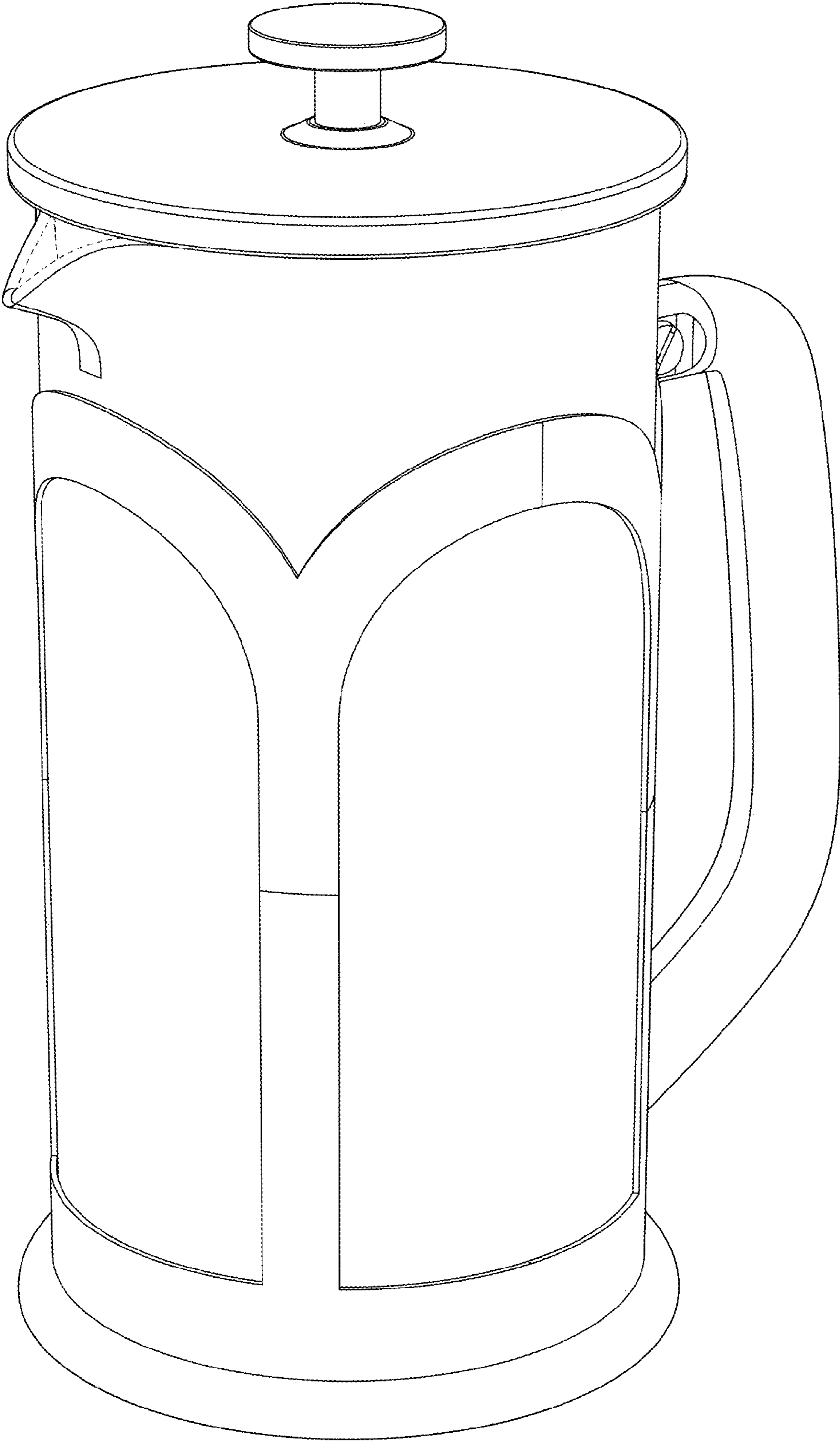


FIG. 1



FIG. 2

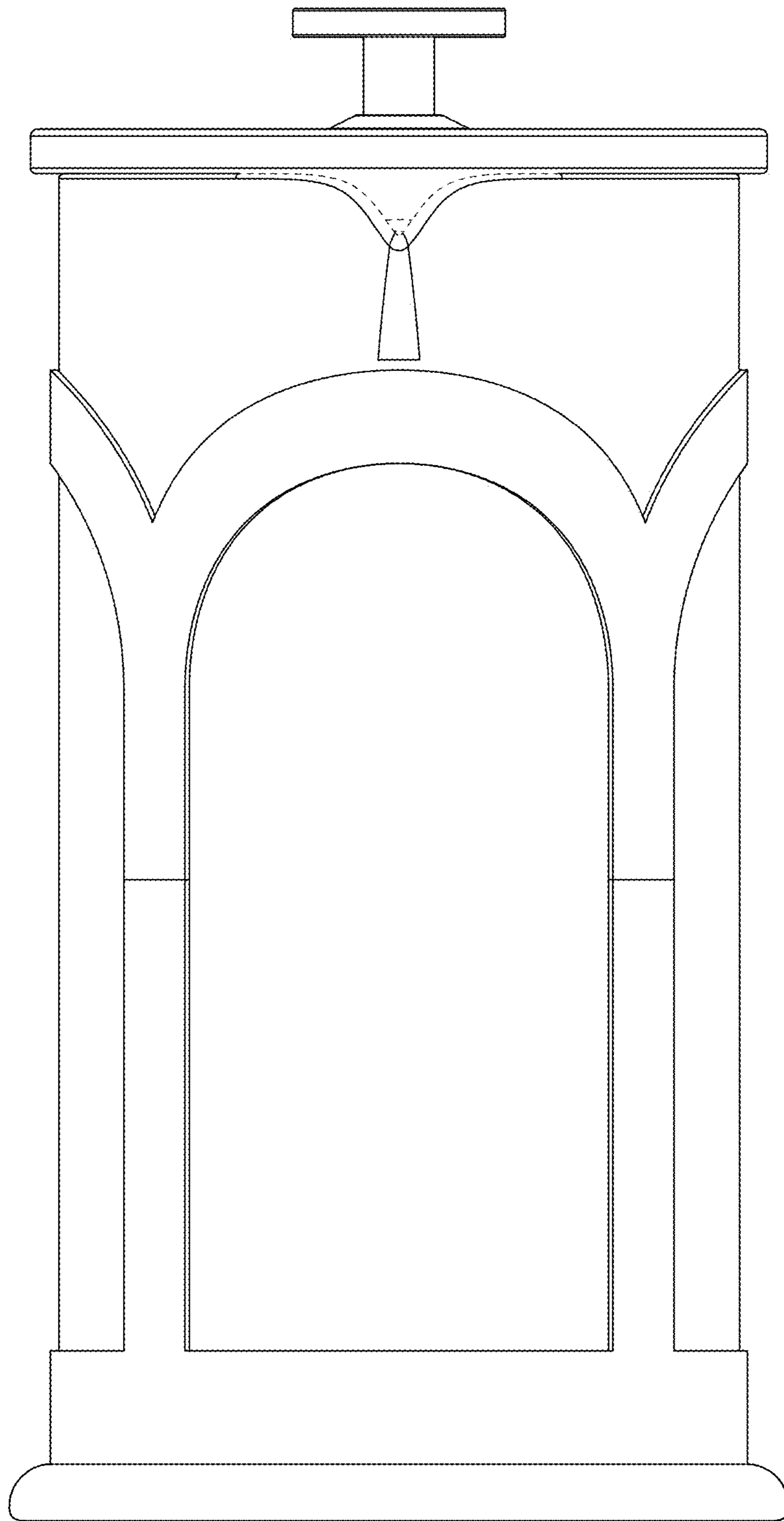


FIG. 3

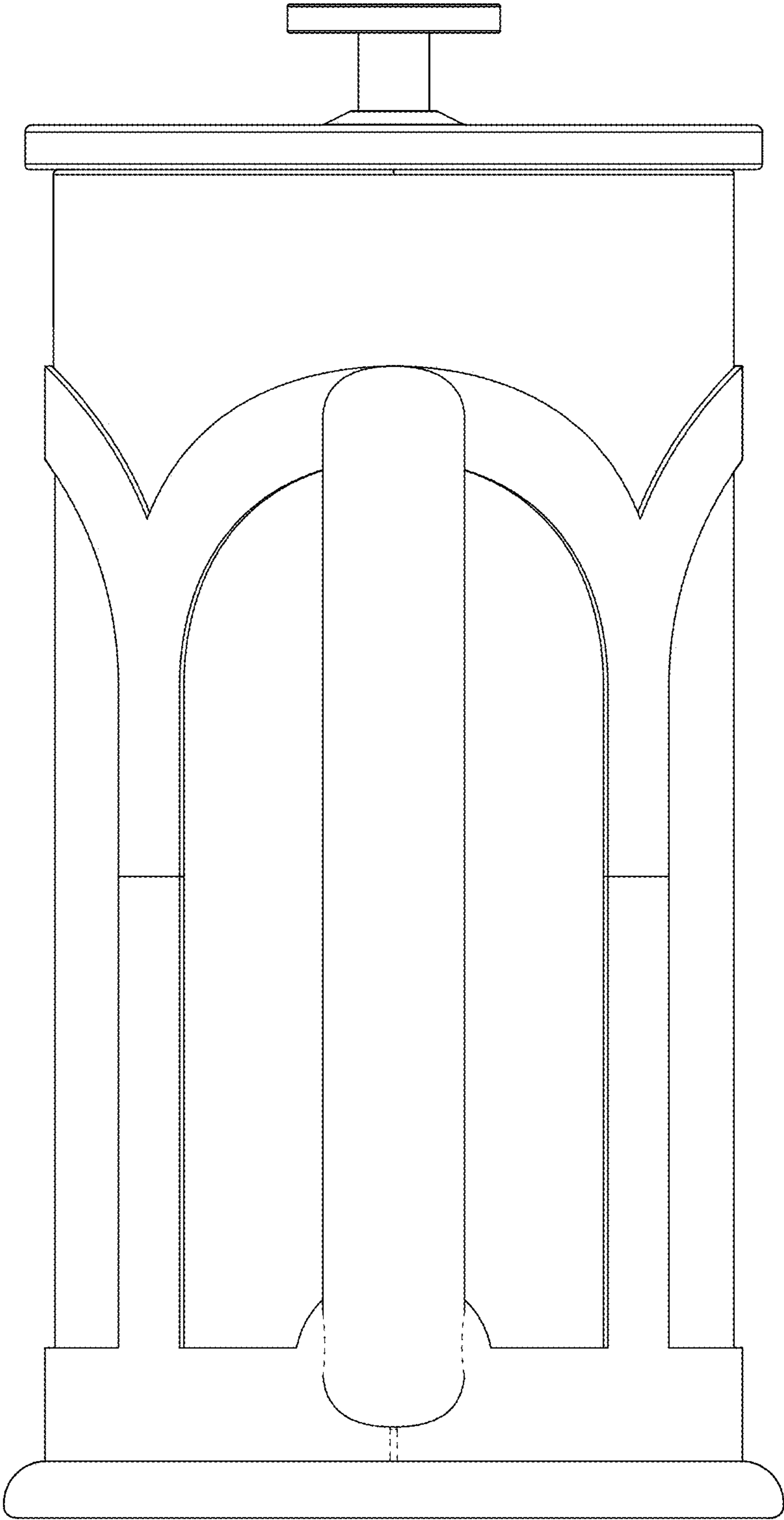


FIG. 4

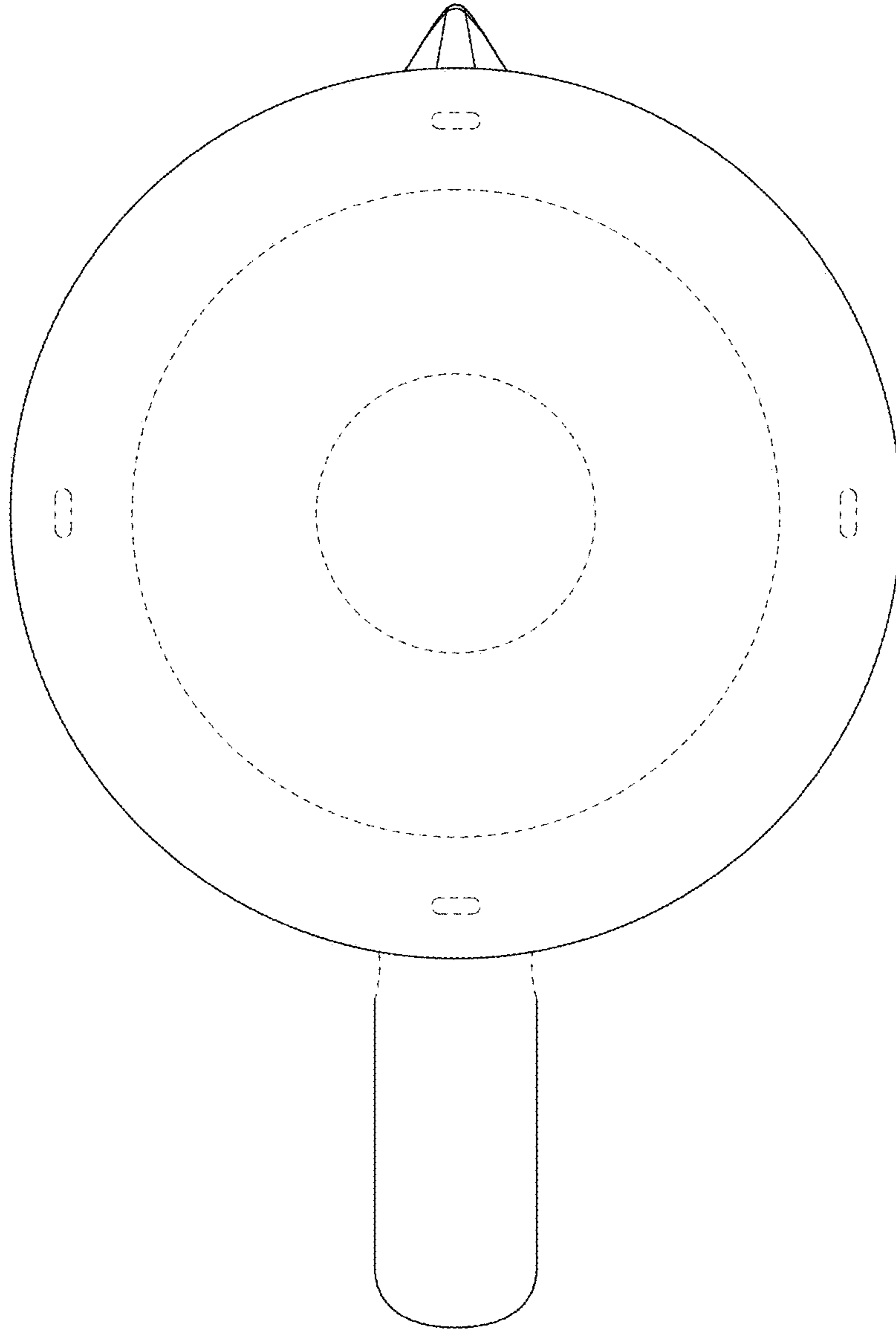


FIG. 5

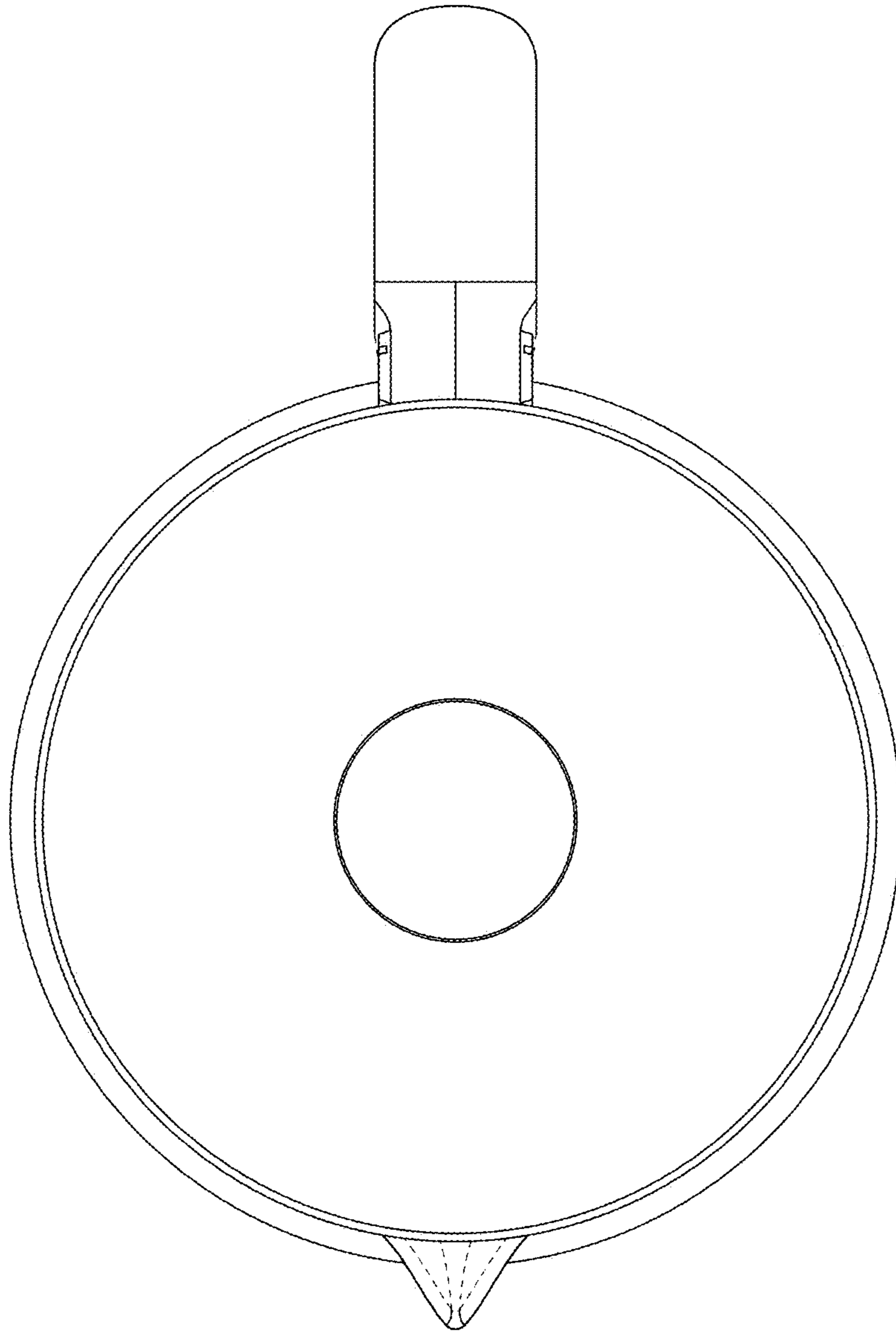


FIG. 6

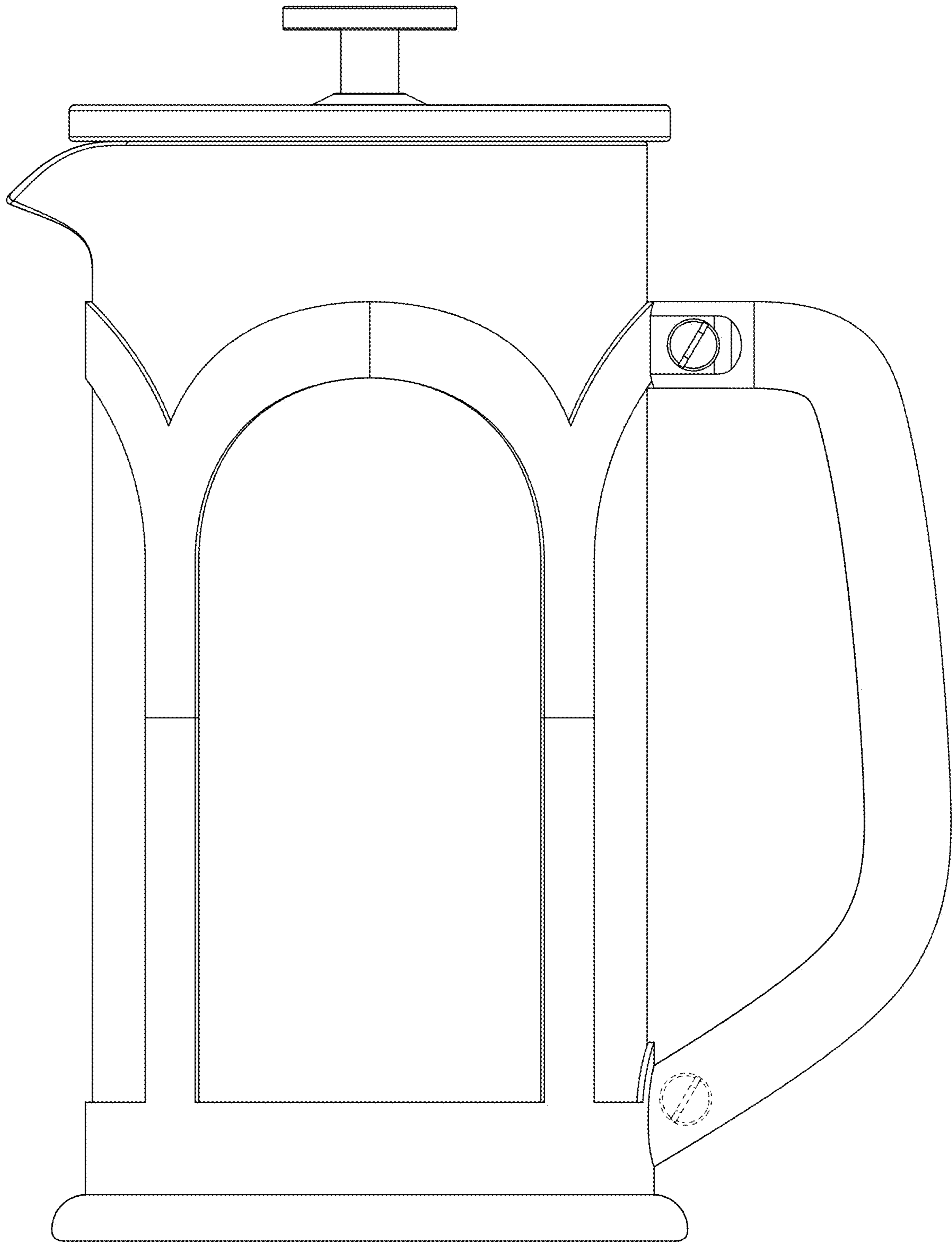


FIG. 7

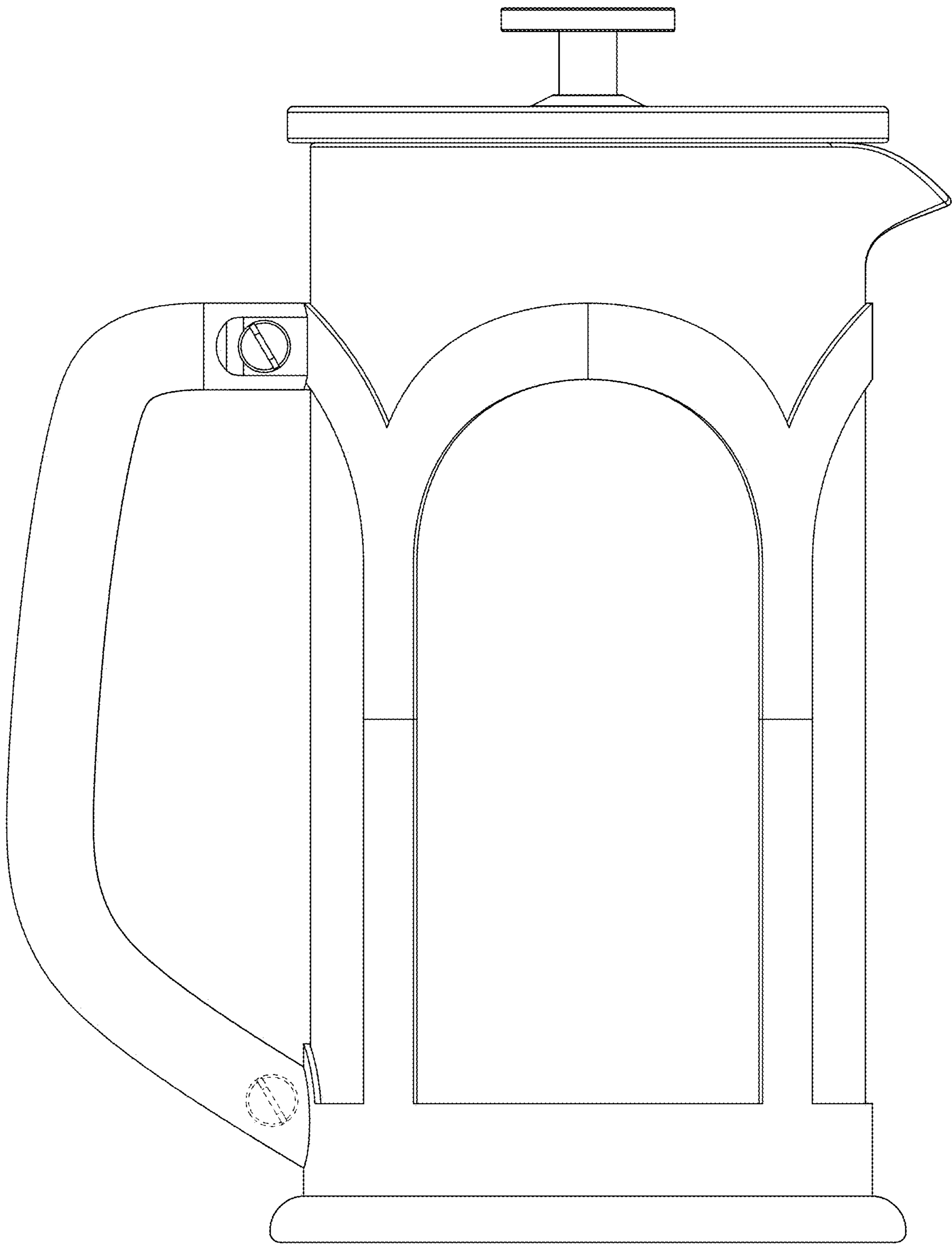


FIG. 8