



US00D957858S

(12) **United States Design Patent**
Lee et al.

(10) **Patent No.:** **US D957,858 S**
(45) **Date of Patent:** **** Jul. 19, 2022**

(54) **COFFEE MACHINE**
(71) Applicant: **WISTRON CORP.**, New Taipei (TW)
(72) Inventors: **Wei-Kuo Lee**, New Taipei (TW);
Li-Xuan Zhu, New Taipei (TW);
Chih-Chung Tai, New Taipei (TW)
(73) Assignee: **WISTRON CORP.**, New Taipei (TW)

D423,862 S * 5/2000 Mravlja, Jr. D7/305
D489,214 S * 5/2004 Noda D7/311
D502,043 S * 2/2005 Lin D7/311
D507,449 S * 7/2005 Burton D7/310
D552,402 S * 10/2007 Schwamkrug D7/311
D610,857 S * 3/2010 Pateman D7/311

(Continued)

FOREIGN PATENT DOCUMENTS

CN 300854898 * 12/2008
CN 306109491 * 10/2020

(Continued)

(**) Term: **15 Years**

(21) Appl. No.: **29/739,884**

(22) Filed: **Jun. 30, 2020**

(30) **Foreign Application Priority Data**

May 8, 2020 (TW) 109302473

(51) **LOC (13) Cl.** **07-01**

(52) **U.S. Cl.**
USPC **D7/309**; D7/306; D7/310; D7/311

(58) **Field of Classification Search**
USPC D7/300, 305-313, 355, 362, 365, 367,
D7/397-400; D15/80, 82; D23/207
CPC A47J 31/00; A47J 31/0573; A47J 31/0615;
A47J 31/18; A47J 31/32; A47J 31/369;
A47J 31/407; A47J 31/4407; A47J
31/445; A47J 31/4482; A47J 31/46; A47J
31/467; A47J 31/50; A47J 31/525; A23F
5/262; A23F 5/265; A23F 5/267; B67D
1/0021

See application file for complete search history.

(56) **References Cited**

U.S. PATENT DOCUMENTS

D207,526 S * 4/1967 Martin D7/311
D218,191 S * 7/1970 Tevolitz D7/309
D240,386 S * 7/1976 Stuetzer D7/309
D288,885 S * 3/1987 Kahlcke D7/309
D310,931 S * 10/1990 Mollenhoff D7/309
D355,561 S * 2/1995 Ullman D7/311

OTHER PUBLICATIONS

O_coffee, “—at White Rock Store A13,” Jul. 27, 2020, Facebook,
www.facebook.com/O_coffee-2409981269224730/photos/pcb.
2770819963140857/2770819859807534/ (Year: 2020).*

(Continued)

Primary Examiner — Joseph Kukella
Assistant Examiner — Arva P Adams
(74) *Attorney, Agent, or Firm* — McClure, Qualey &
Rodack, LLP

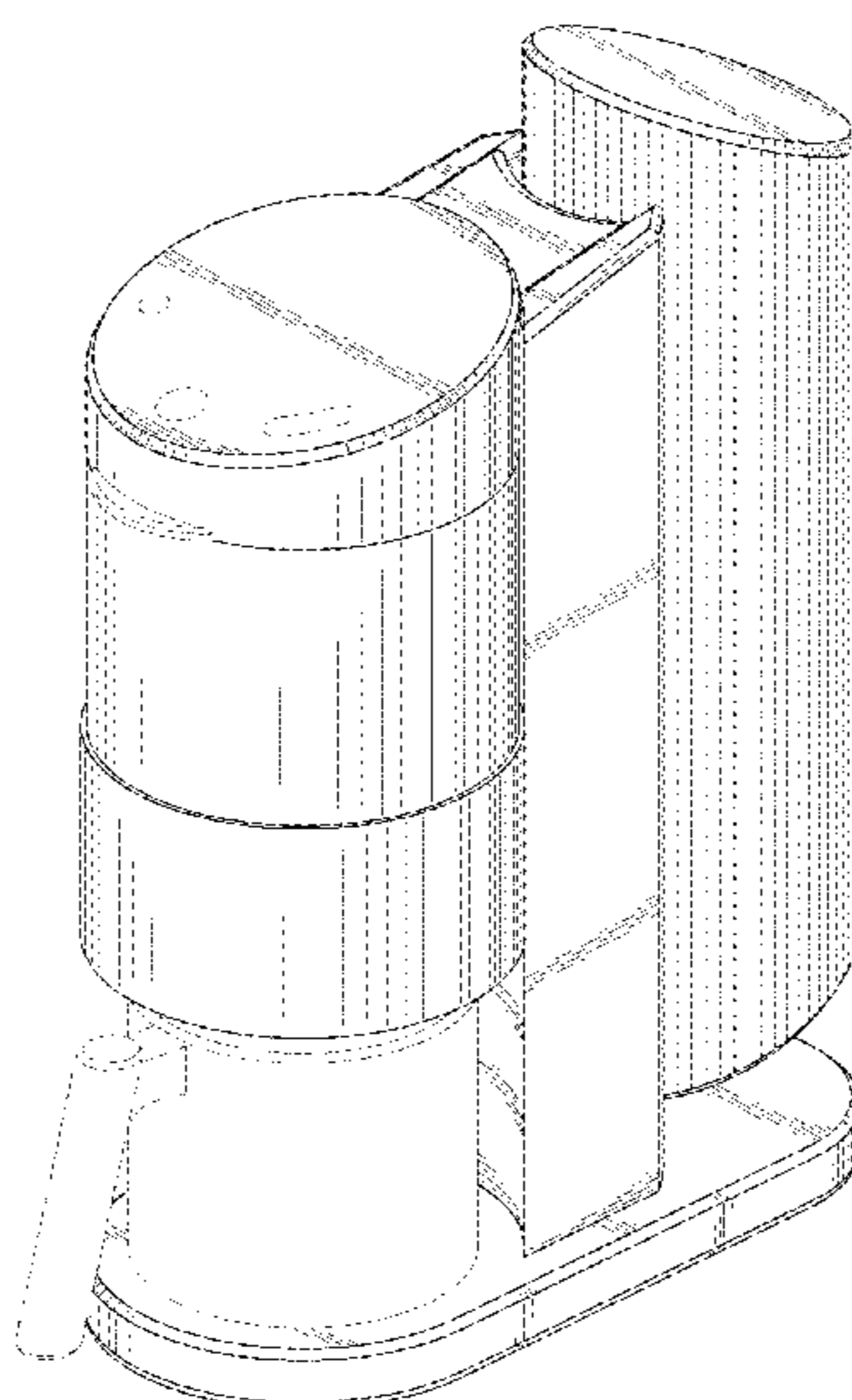
(57) **CLAIM**

The ornamental design for a coffee machine, as shown and described.

DESCRIPTION

FIG. 1 is a perspective view of a coffee machine showing our new design;
FIG. 2 is a front view thereof;
FIG. 3 is a rear view thereof;
FIG. 4 is a left side view thereof;
FIG. 5 is a right side view thereof;
FIG. 6 is a top view thereof; and,
FIG. 7 is a bottom view thereof.
The broken lines in the figures illustrate the portions of the design that form no part of the claimed design.

1 Claim, 6 Drawing Sheets



(56)

References Cited

U.S. PATENT DOCUMENTS

D688,081 S * 8/2013 Warburton D7/311
D773,878 S * 12/2016 Lee D7/311
D816,383 S * 5/2018 Liang D7/311

FOREIGN PATENT DOCUMENTS

TW 209068-0001 * 12/2020
WO WO-D078490-001 * 12/2006

OTHER PUBLICATIONS

“Rapibrew Fredda 1.0” product manual, Oct. 18, 2021, pp. 1-8
(Year: 2021).*

* cited by examiner

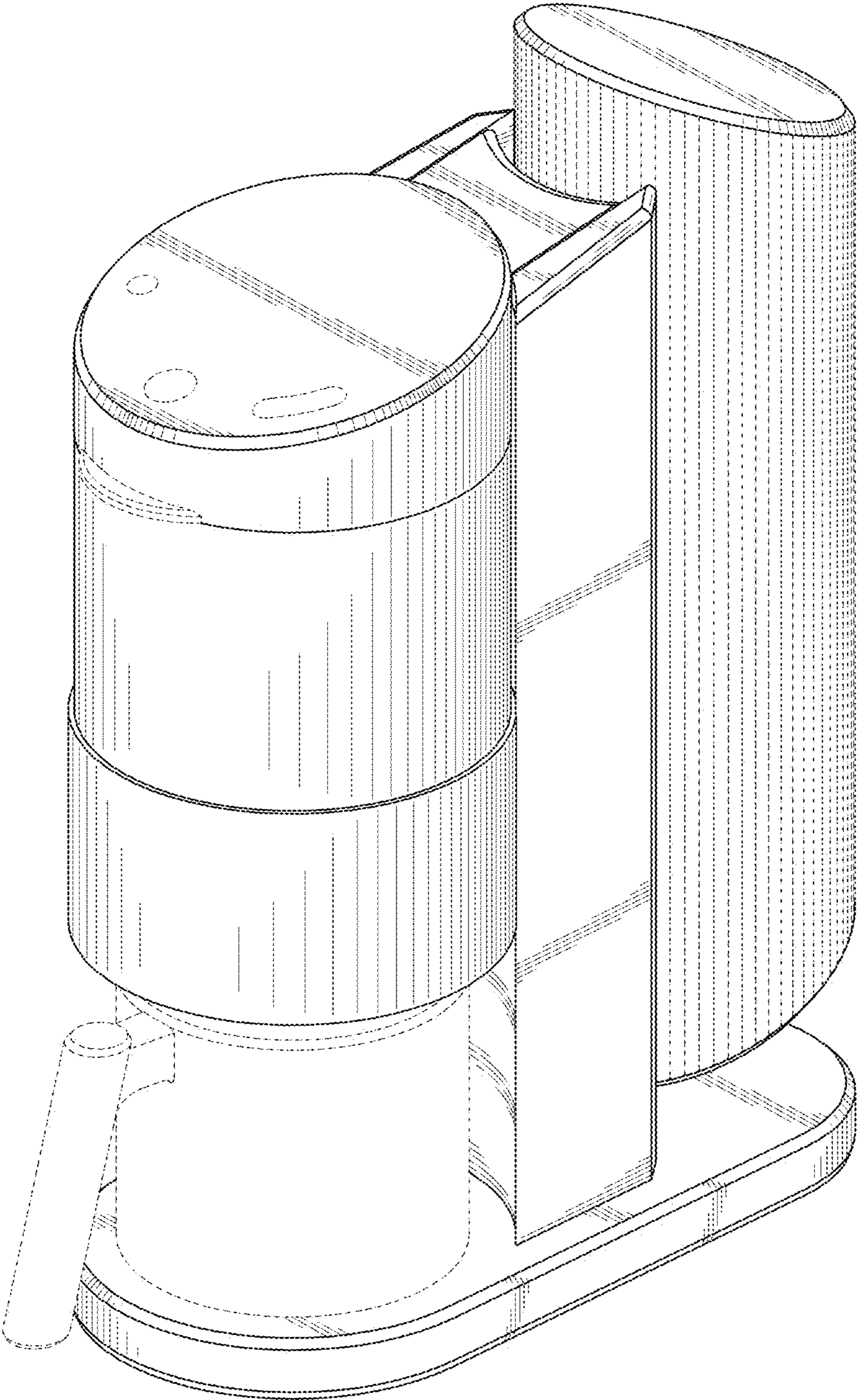


FIG. 1

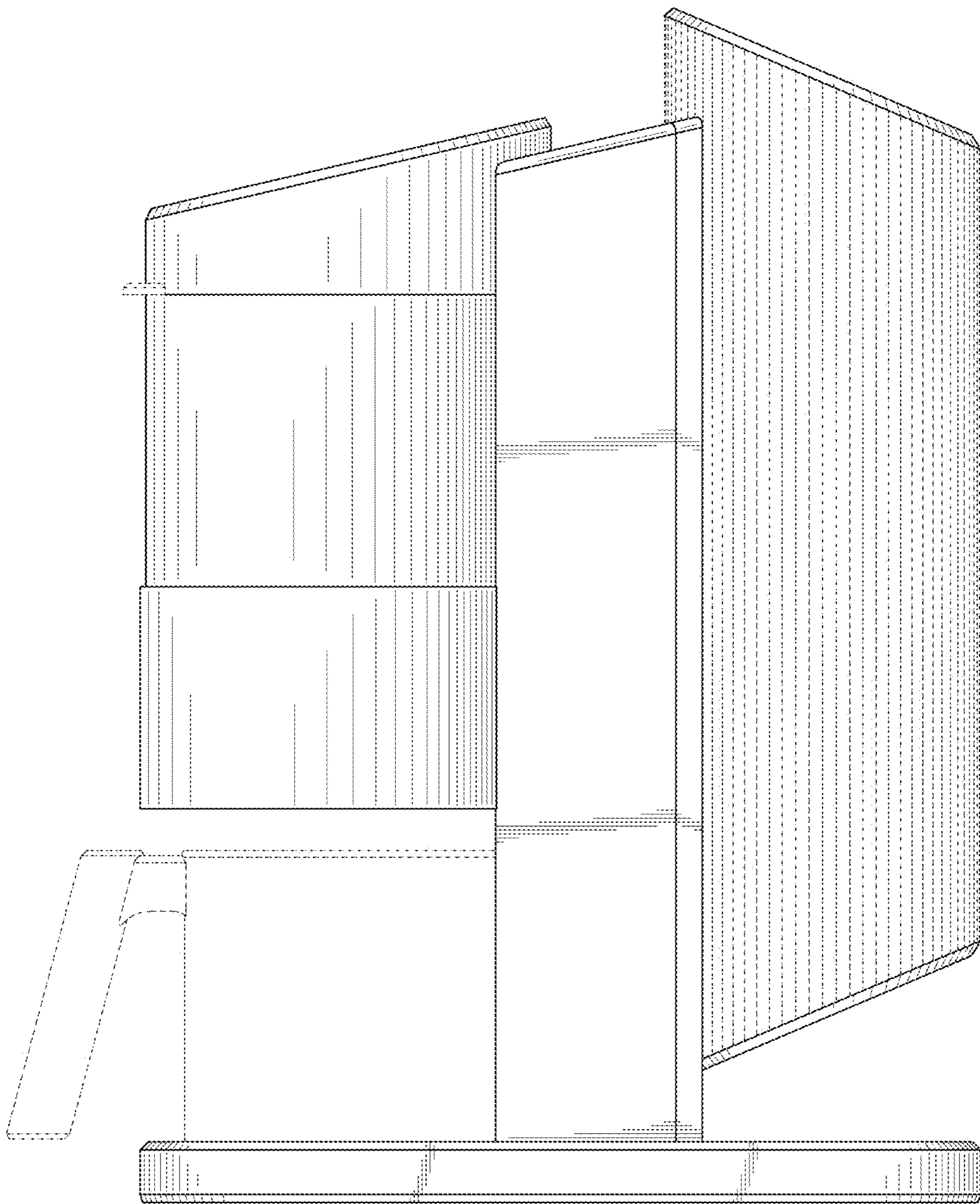


FIG. 2

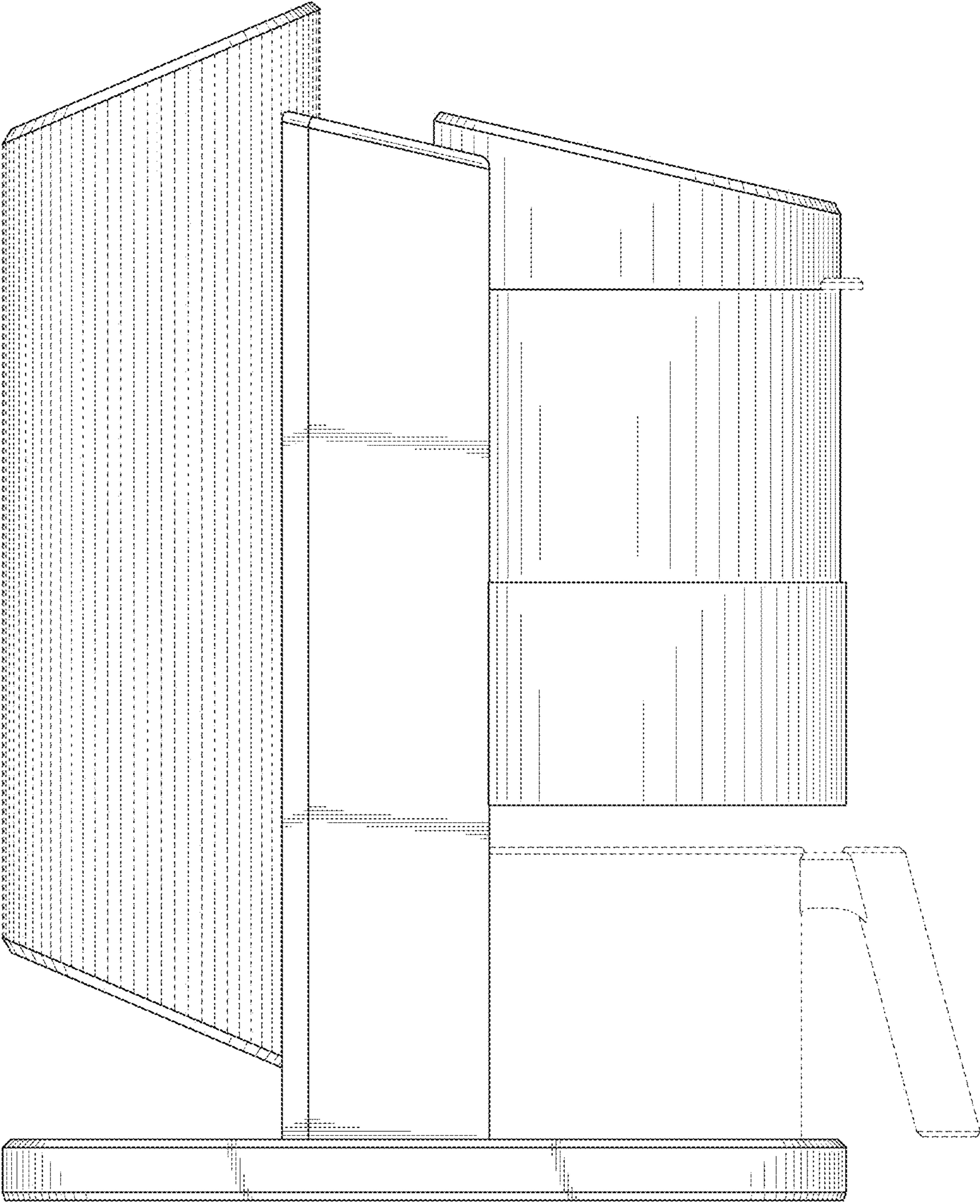


FIG. 3

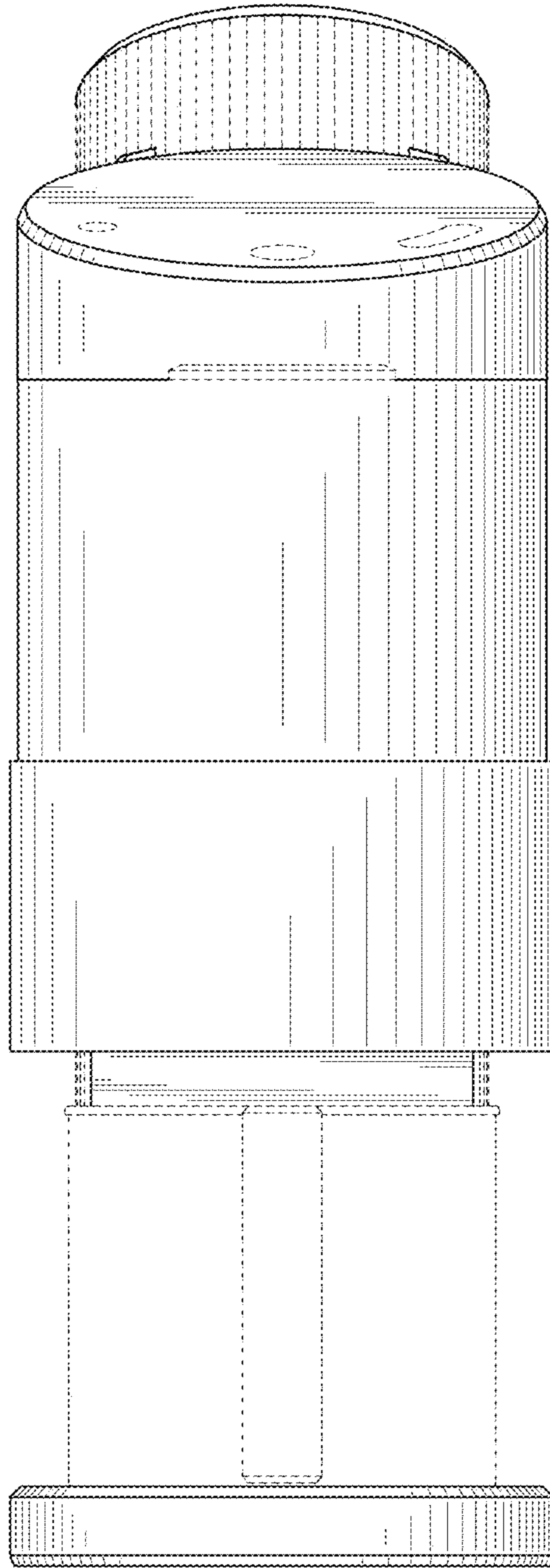


FIG. 4

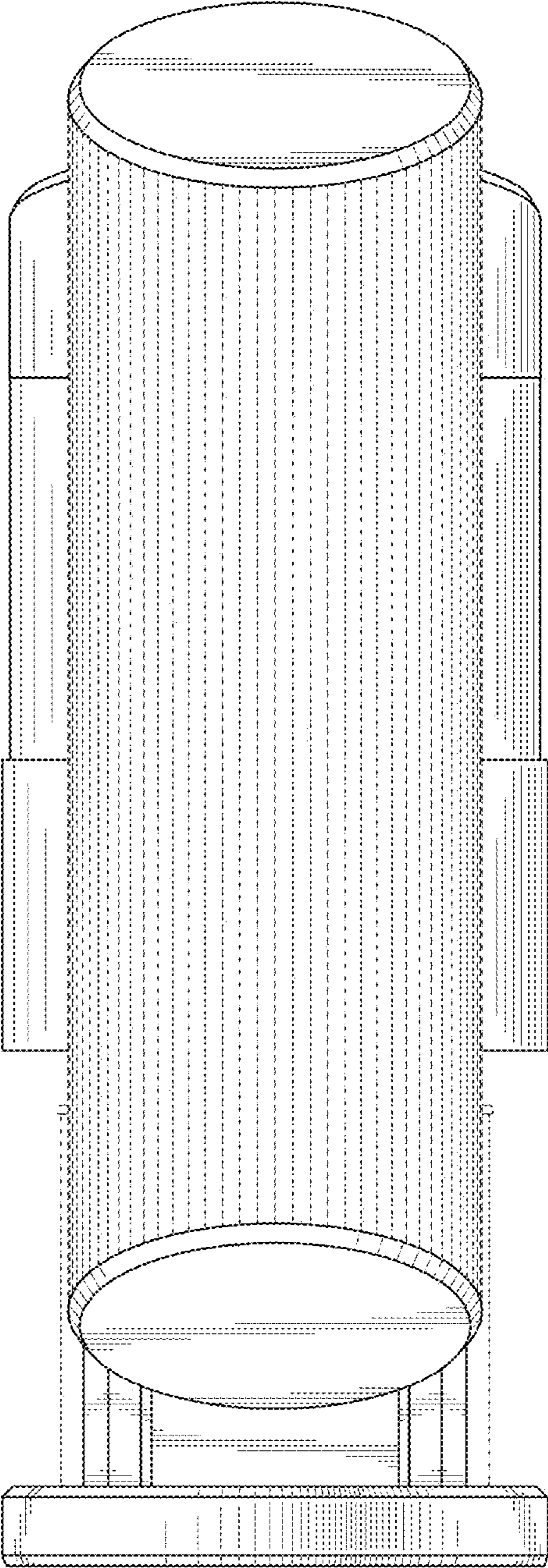


FIG. 5

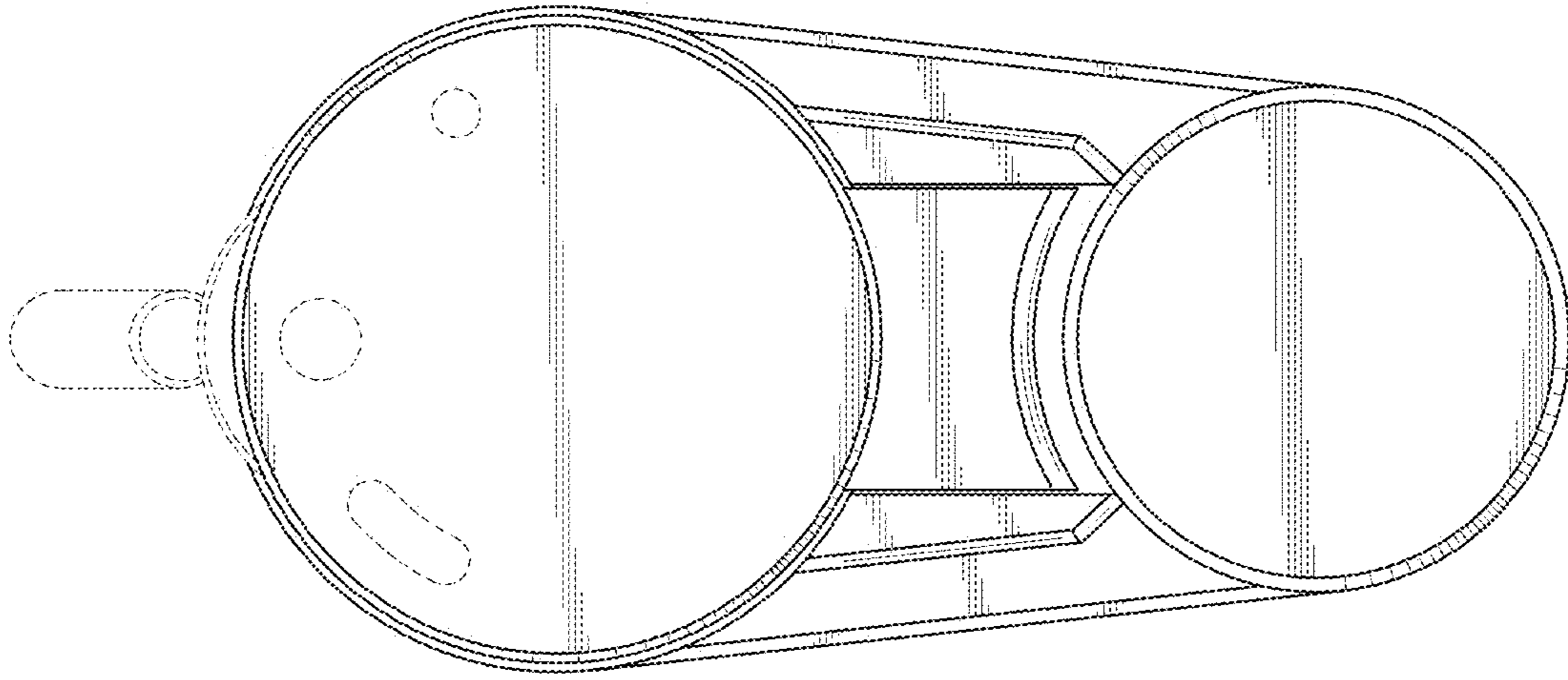


FIG. 6

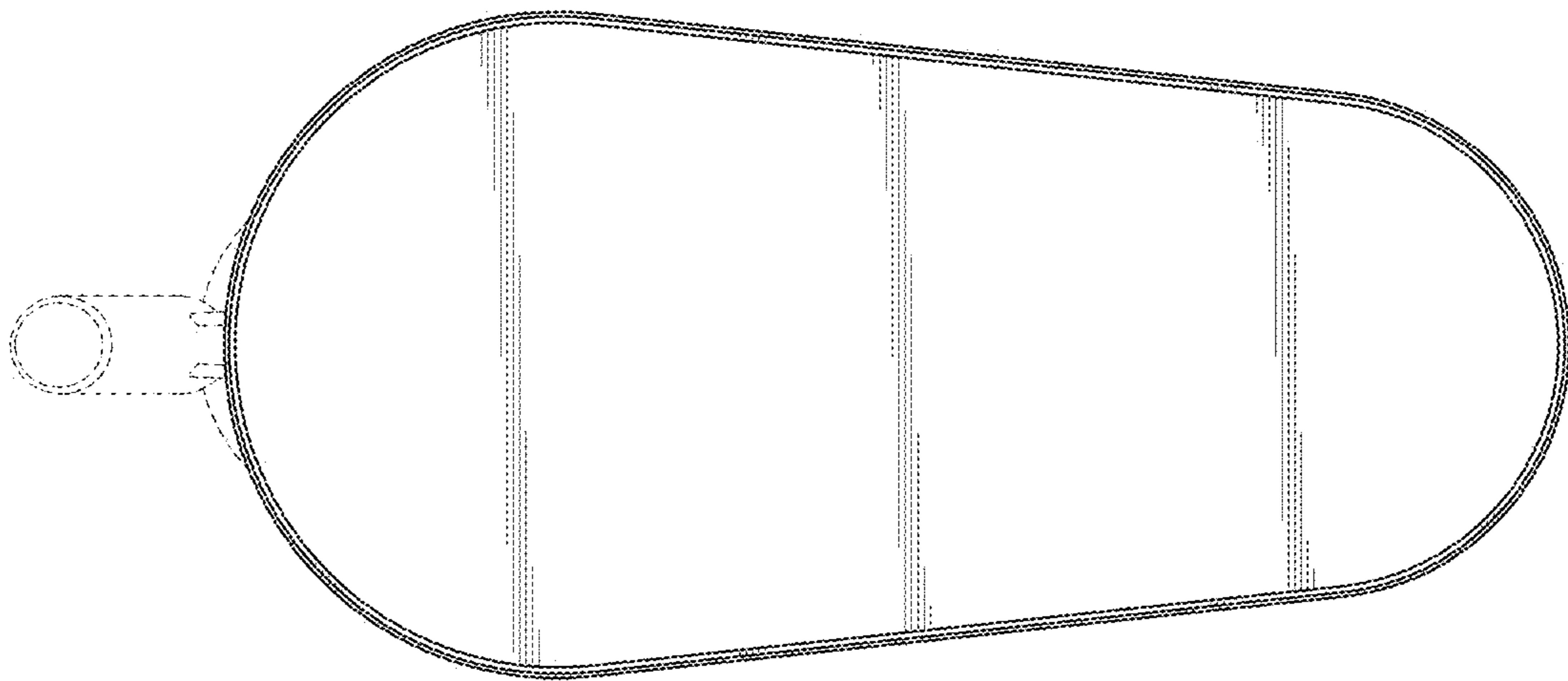


FIG. 7