

US00D957857S

(12) **United States Design Patent**  
**Wu et al.**

(10) **Patent No.:** **US D957,857 S**  
(45) **Date of Patent:** **\*\* Jul. 19, 2022**

(54) **BEVERAGE MACHINE**

(71) Applicant: **Keurig Green Mountain, Inc.**,  
Burlington, MA (US)

(72) Inventors: **Christopher C. Wu**, Atlanta, GA (US);  
**Clay Griffen Prickett**, Atlanta, GA  
(US); **Justin David Henry**, Atlanta, GA  
(US); **Iain James Sabberton**,  
Cambridge (GB); **Matthew John**  
**Maitland**, Cambridge (GB); **Peter**  
**David Cauwood**, Cambridge (GB)

(73) Assignee: **Keurig Green Mountain, Inc.**,  
Burlington, MA (US)

(\*\*) Term: **15 Years**

(21) Appl. No.: **29/687,930**

(22) Filed: **Apr. 17, 2019**

(51) **LOC (13) Cl.** ..... **07-01**

(52) **U.S. Cl.**  
USPC ..... **D7/309**

(58) **Field of Classification Search**  
USPC ..... D7/300, 305-313, 367, 397-399, 665;  
D20/1, 4; D15/80, 82; D23/207  
CPC ..... B67D 3/00; B67D 1/04; B67D 1/0021;  
B67D 1/0085; B67D 1/0086; B67D  
1/0089; B67D 1/0857; B67D 2001/0087;  
A47J 31/00; A47J 31/18; A47J 31/36;  
A47J 31/3633; A47J 31/407; A47J 31/44;  
A47J 31/4403; A47J 31/46; A47J 31/50;  
A47J 27/04; B65D 83/0055; B65D 35/14;  
B65D 35/36; B65D 35/46; B65D  
2001/0087

See application file for complete search history.

(56) **References Cited**

**U.S. PATENT DOCUMENTS**

D315,470 S \* 3/1991 Alister ..... D7/309  
D337,915 S \* 8/1993 Kahlcke ..... D7/307

D344,205 S \* 2/1994 Saltet ..... D7/309  
D381,237 S \* 7/1997 De'Longhi ..... D7/309  
5,724,883 A \* 3/1998 Usherovich ..... A47J 31/057  
426/433  
D431,409 S \* 10/2000 Man ..... A47J 31/4407  
D7/309

(Continued)

**FOREIGN PATENT DOCUMENTS**

CN 302528881 \* 8/2013  
CN 305830872 \* 6/2020

(Continued)

**OTHER PUBLICATIONS**

Sugarsocial, "Craving Coffee," Nov. 24, 2010, Sugar Social by  
Kristen, <https://sugarsocial.wordpress.com/tag/la-columbe> (Year: 2010).\*

(Continued)

*Primary Examiner* — Shannon W Morgan  
*Assistant Examiner* — Arva P Adams

(74) *Attorney, Agent, or Firm* — Wolf, Greenfield &  
Sacks, P.C.

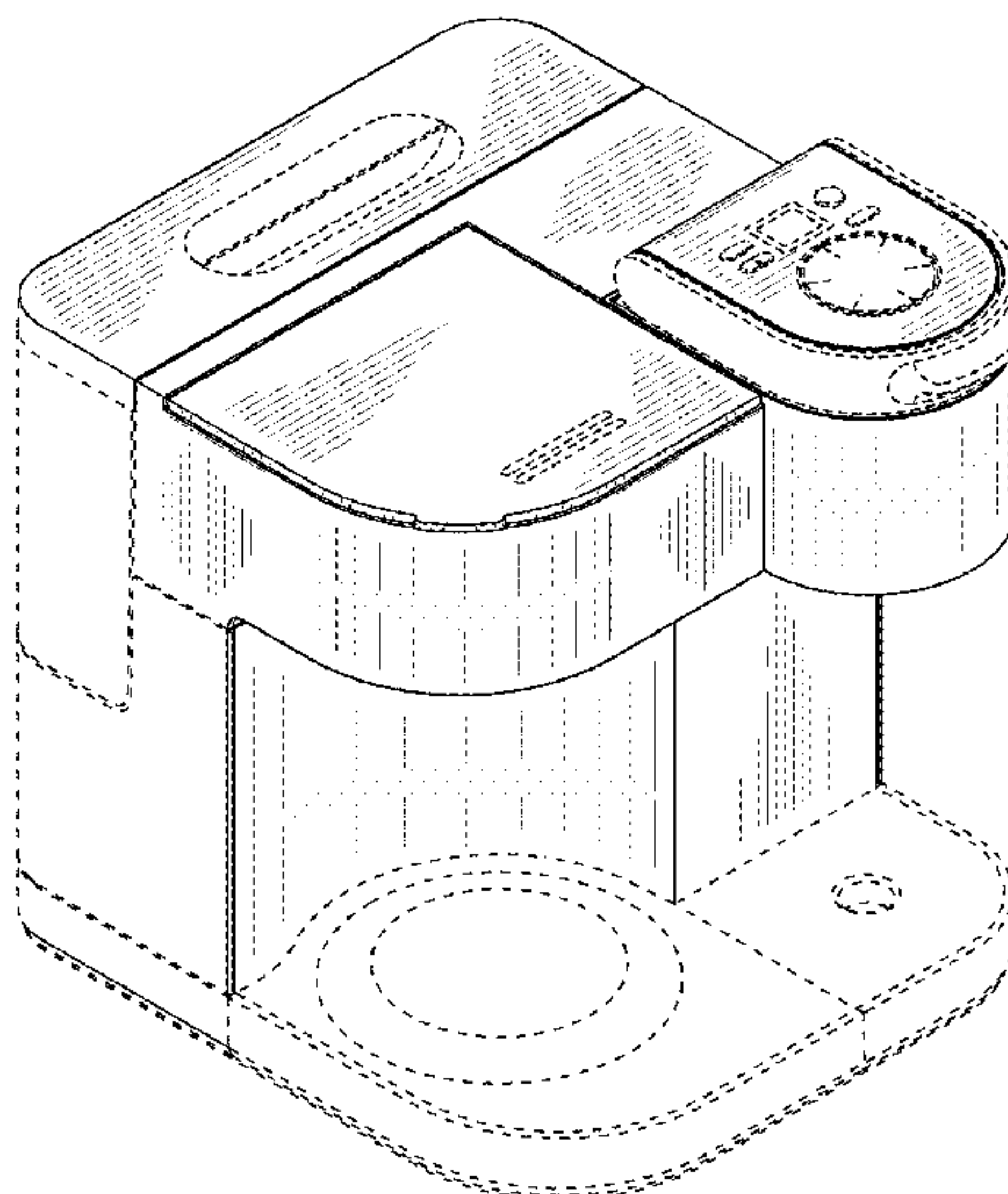
(57) **CLAIM**

The ornamental design for a beverage machine, as shown  
and described.

**DESCRIPTION**

FIG. 1 is a top, front, left side perspective view of a beverage  
machine according to our new design;  
FIG. 2 is a left side elevation view thereof;  
FIG. 3 is a top plan view thereof;  
FIG. 4 is a front elevation view thereof;  
FIG. 5 is a right side elevation view thereof;  
FIG. 6 is a rear elevation view thereof; and,  
FIG. 7 is a bottom plan view thereof.  
The broken lines illustrate portions of the beverage machine  
that form no part of the claimed design.

**1 Claim, 4 Drawing Sheets**



(56)

References Cited

U.S. PATENT DOCUMENTS

D585,691 S *	2/2009	Borin	.....	D7/309
D635,813 S *	4/2011	Moore	.....	D7/310
D654,755 S *	2/2012	Gresko	.....	D7/307
D689,726 S *	9/2013	Romandy	.....	D7/309
D718,563 S *	12/2014	Demam	.....	D7/305
D765,454 S *	9/2016	Romandy	.....	D7/309
9,433,316 B2 *	9/2016	Picozza	.....	A47J 31/407
D769,662 S *	10/2016	Palermo	.....	A47J 31/057
				D7/306
D796,242 S *	9/2017	Palermo	.....	D7/307
D812,954 S *	3/2018	Rosati	.....	A47J 31/407
				D7/309
2014/0272076 A1 *	9/2014	Nevin	.....	A47J 31/4407
				426/590

FOREIGN PATENT DOCUMENTS

GB	2082308	*	7/1999
GB	2084456	*	8/1999
KR	300798889.0000	*	6/2015

OTHER PUBLICATIONS

“The Difference Between Coffee Makers Types,” May 22, 2015, <https://mynewbestcoffeemakers.wordpress.com> (Year: 2015).\*

Cuisinart, “Cuisinart SS-15P1 Coffee Center,” Aug. 16, 2016, Amazon.com, [www.amazon.com/dp/B01KIG4YNO](http://www.amazon.com/dp/B01KIG4YNO) (Year: 2016).\*

Hamilton Beach, “Hamilton Beach 49976 FlexBrew trio 2-Way Single Serve Coffee Maker & Full 12c Pot,” Jun. 21, 2017, Amazon.com, [www.amazon.com/dp/B06Y2WCHDV](http://www.amazon.com/dp/B06Y2WCHDV) (Year: 2017).\*

Keurig, “Keurig K-Duo Coffee Maker,” Jul. 1, 2019, Amazon.ca, [www.amazon.ca/dp/B07PC7MHQ8](http://www.amazon.ca/dp/B07PC7MHQ8) (Year: 2019).\*

[No Author Listed] Image of Breville BKC600XL, publicly available prior to Feb. 5, 2018, 1 page.

\* cited by examiner

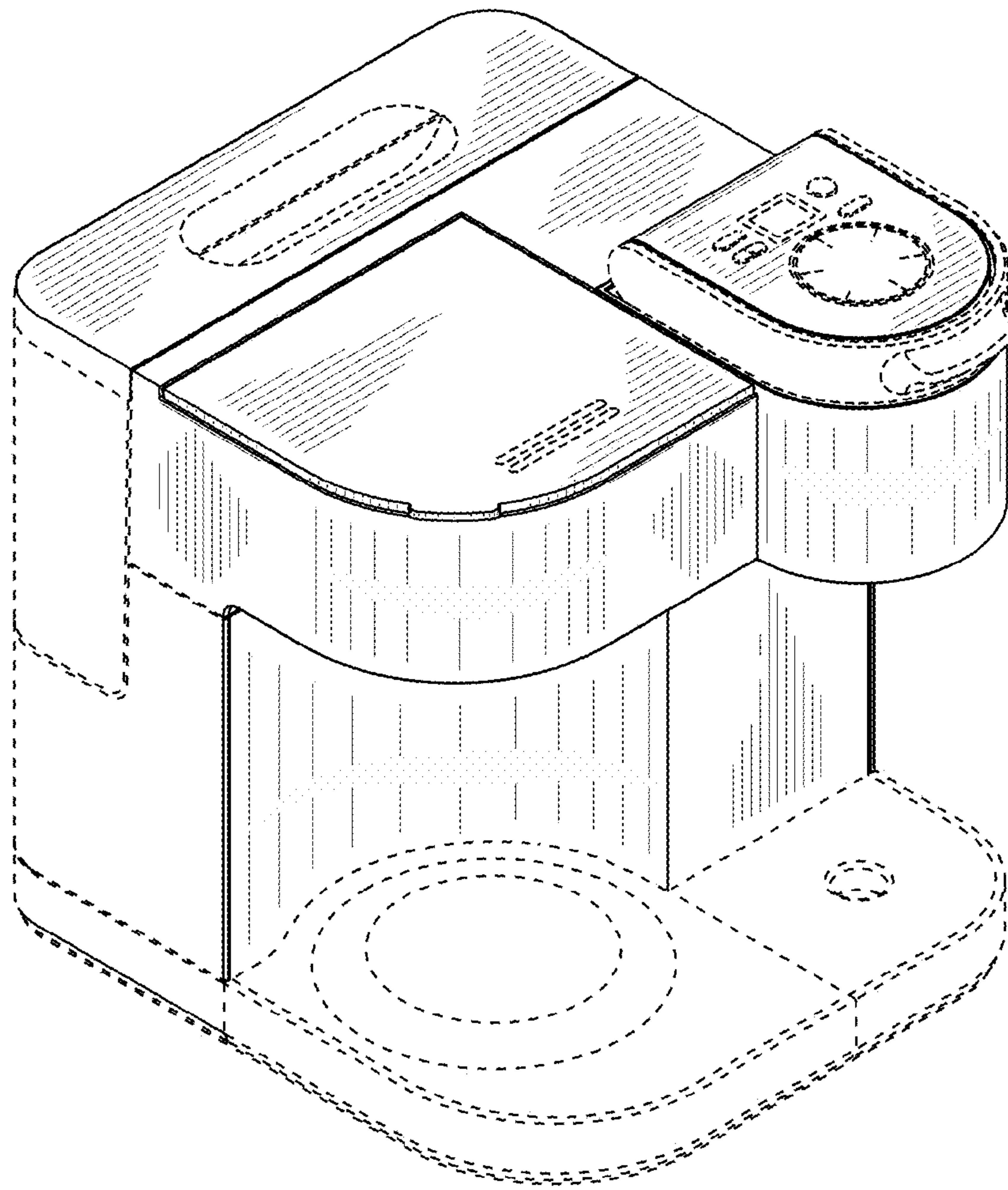


FIG. 1

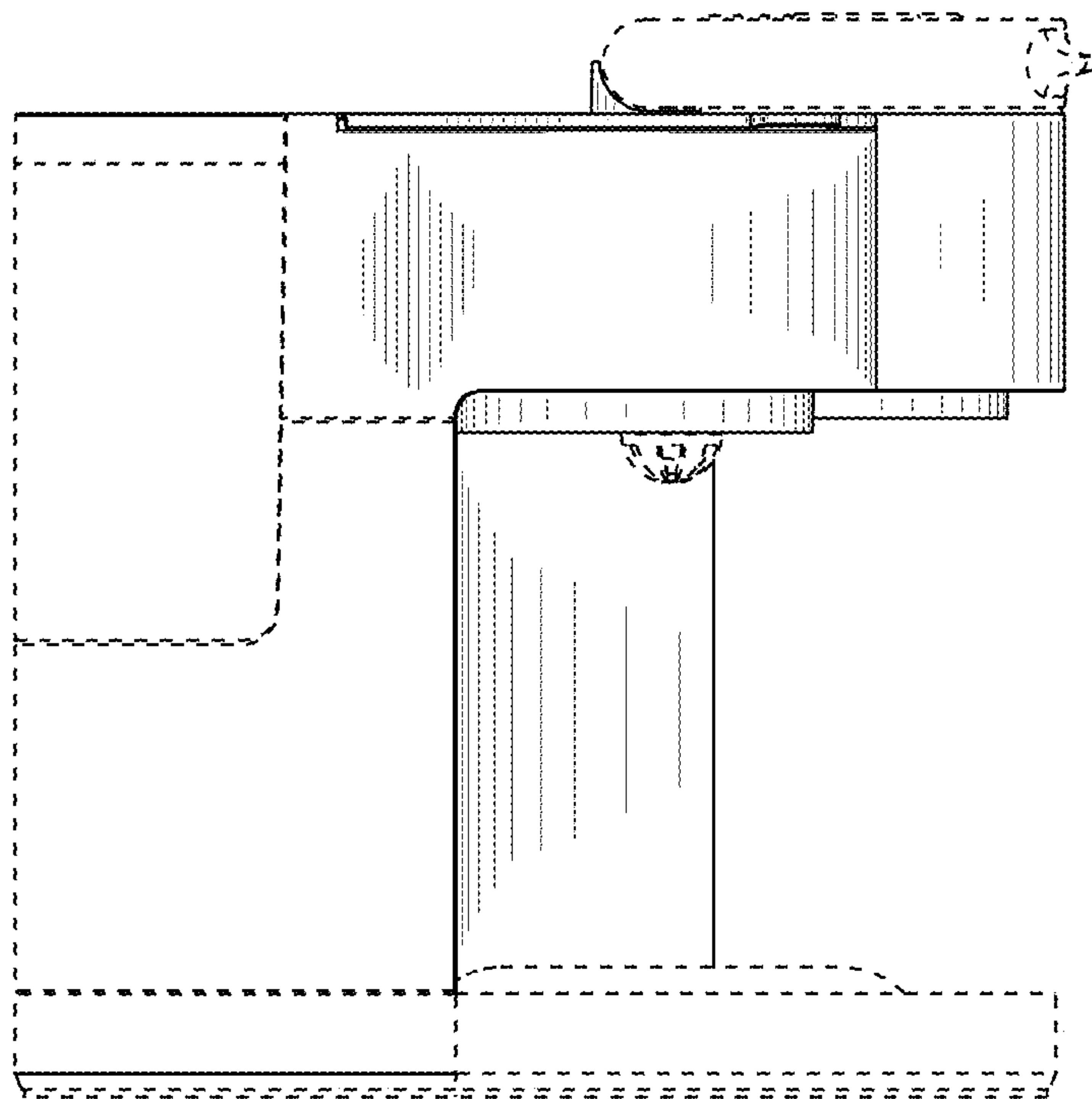


FIG. 2



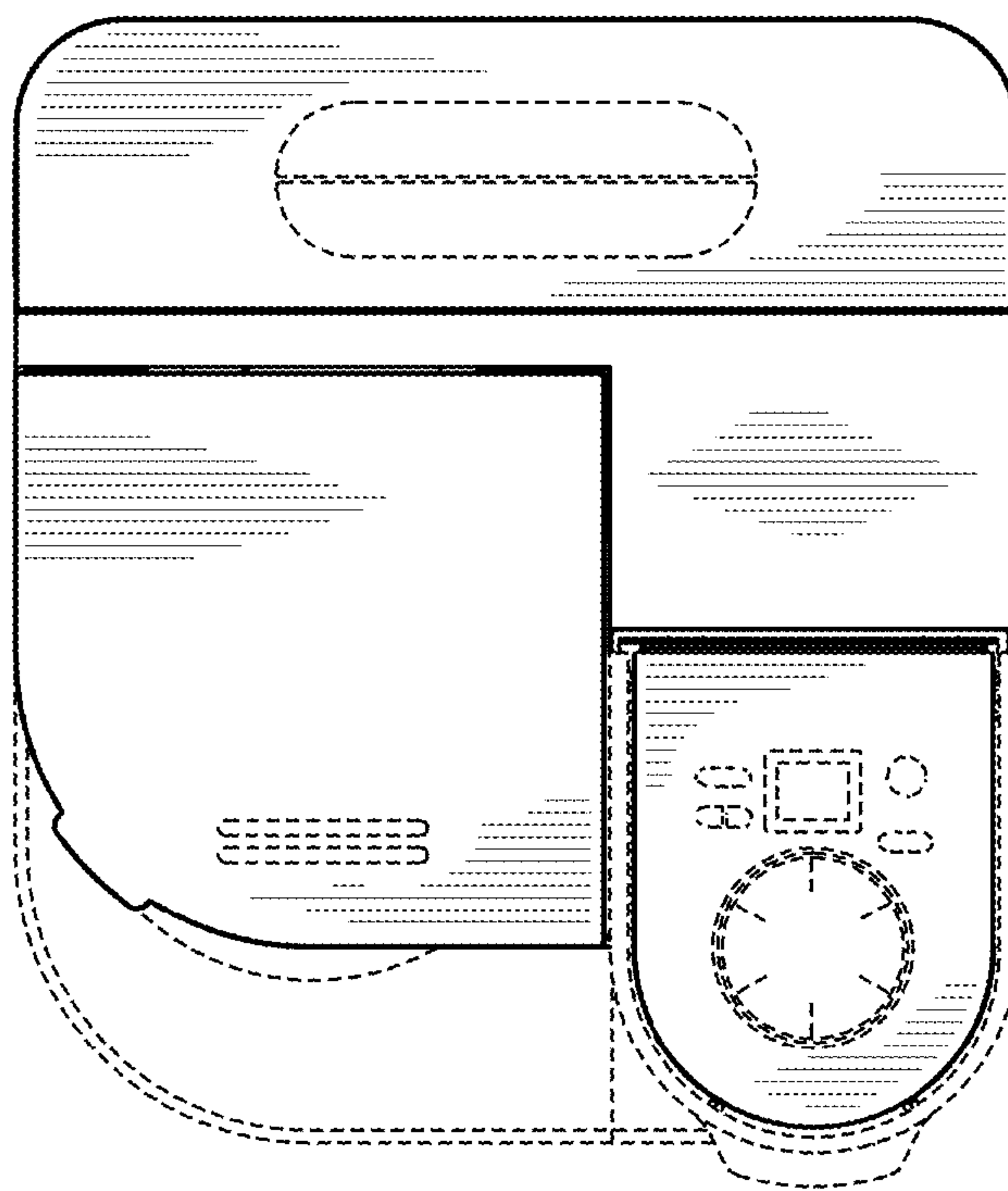


FIG. 3

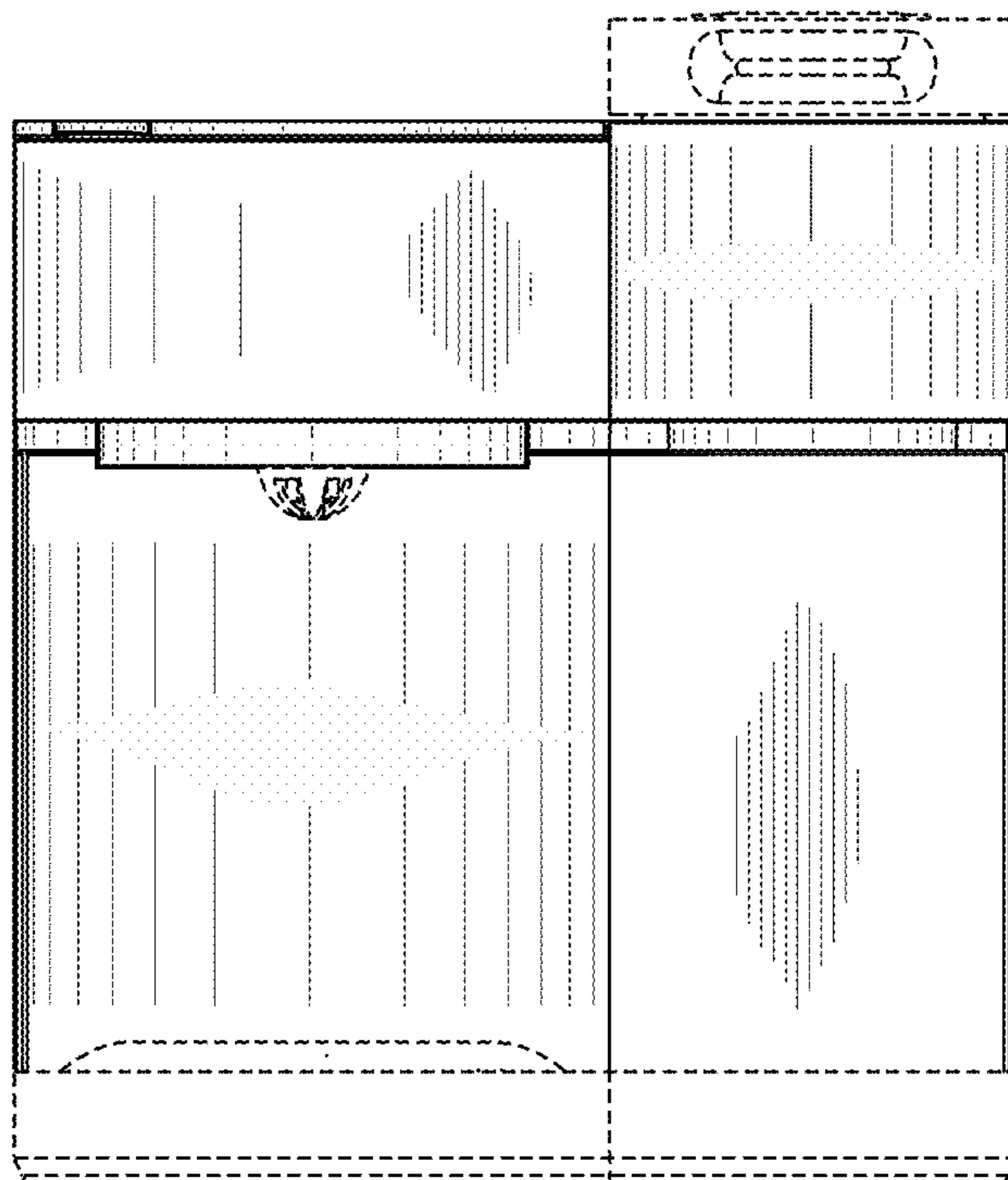


FIG. 4

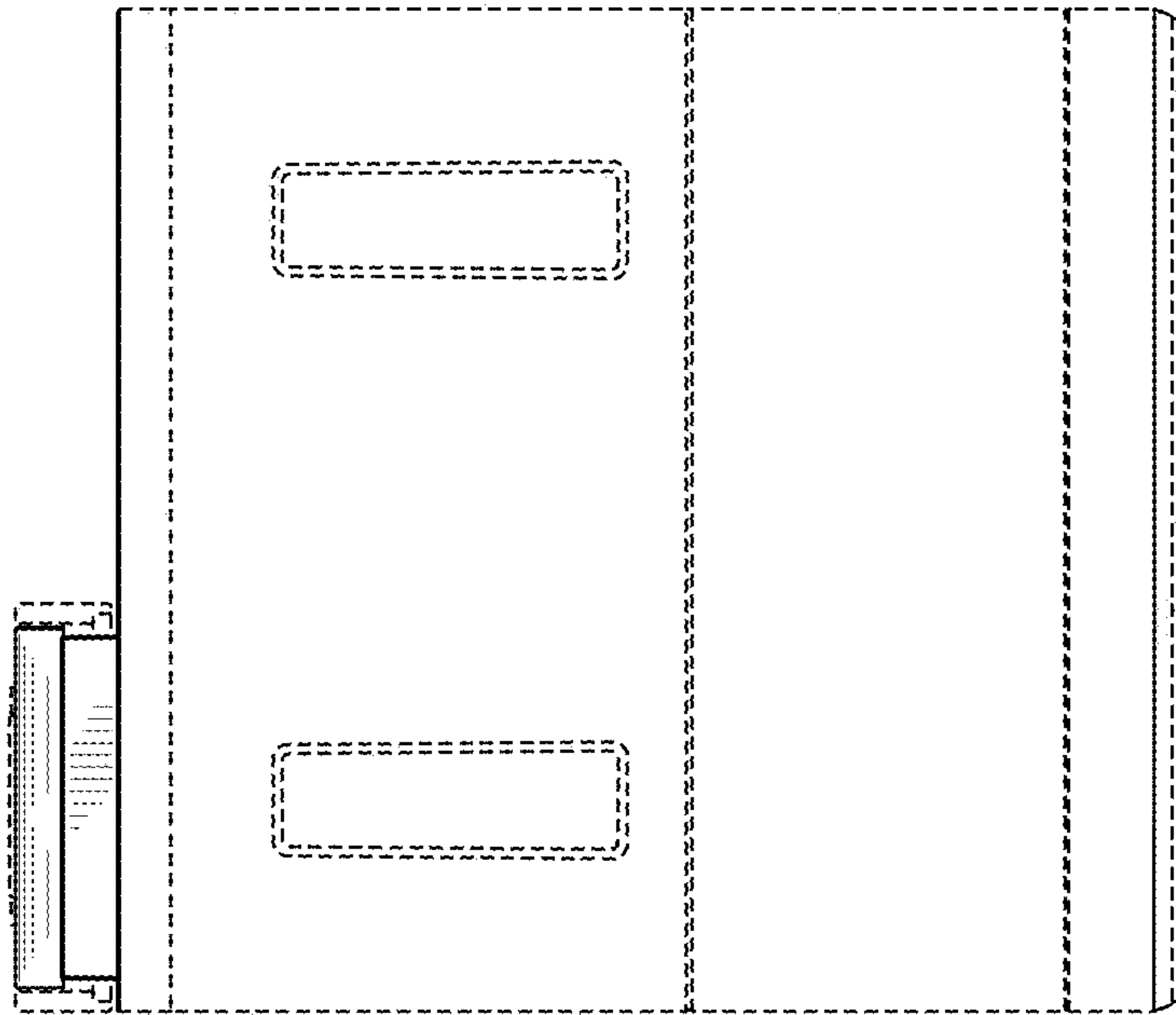


FIG. 6

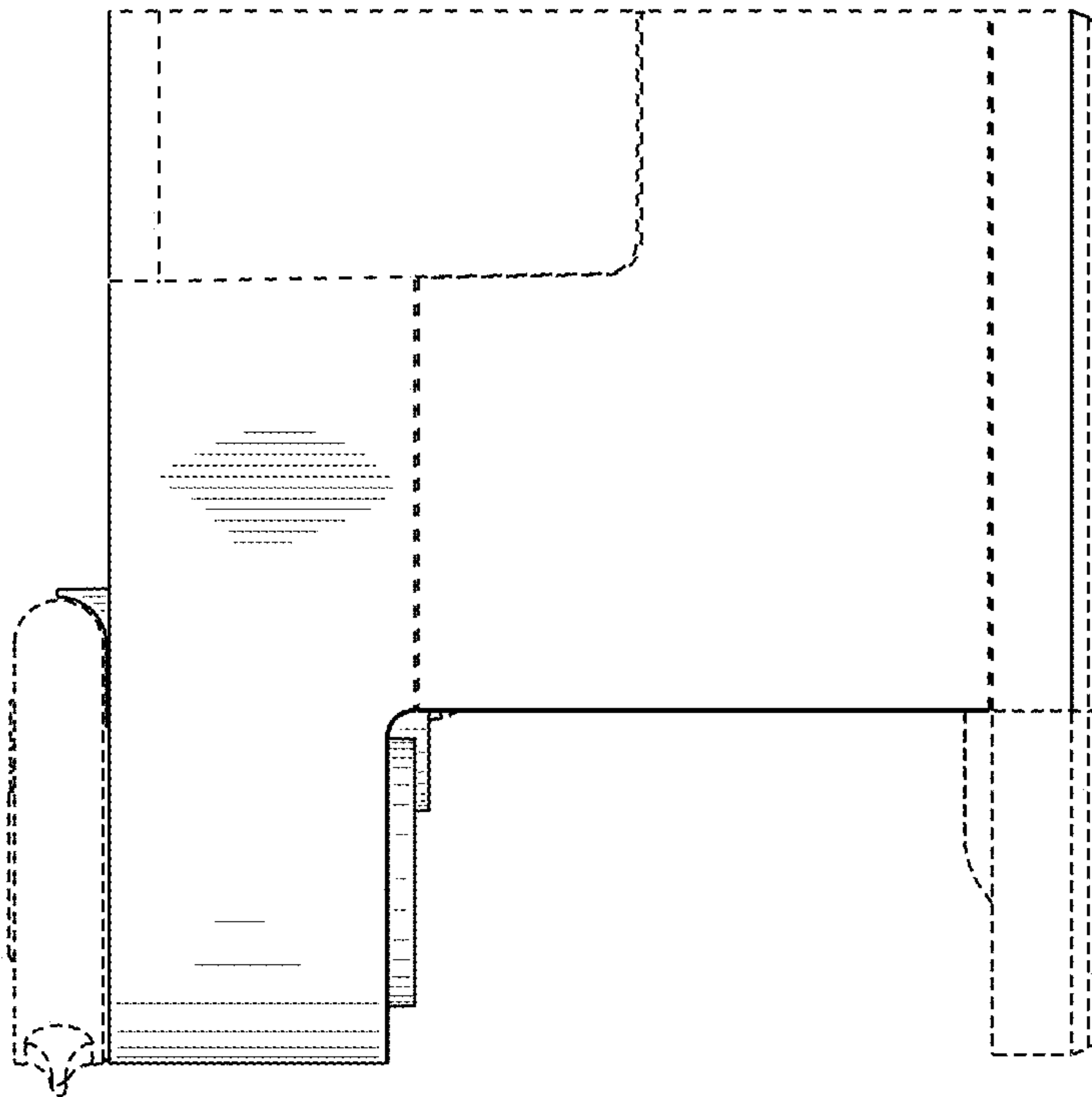


FIG. 5

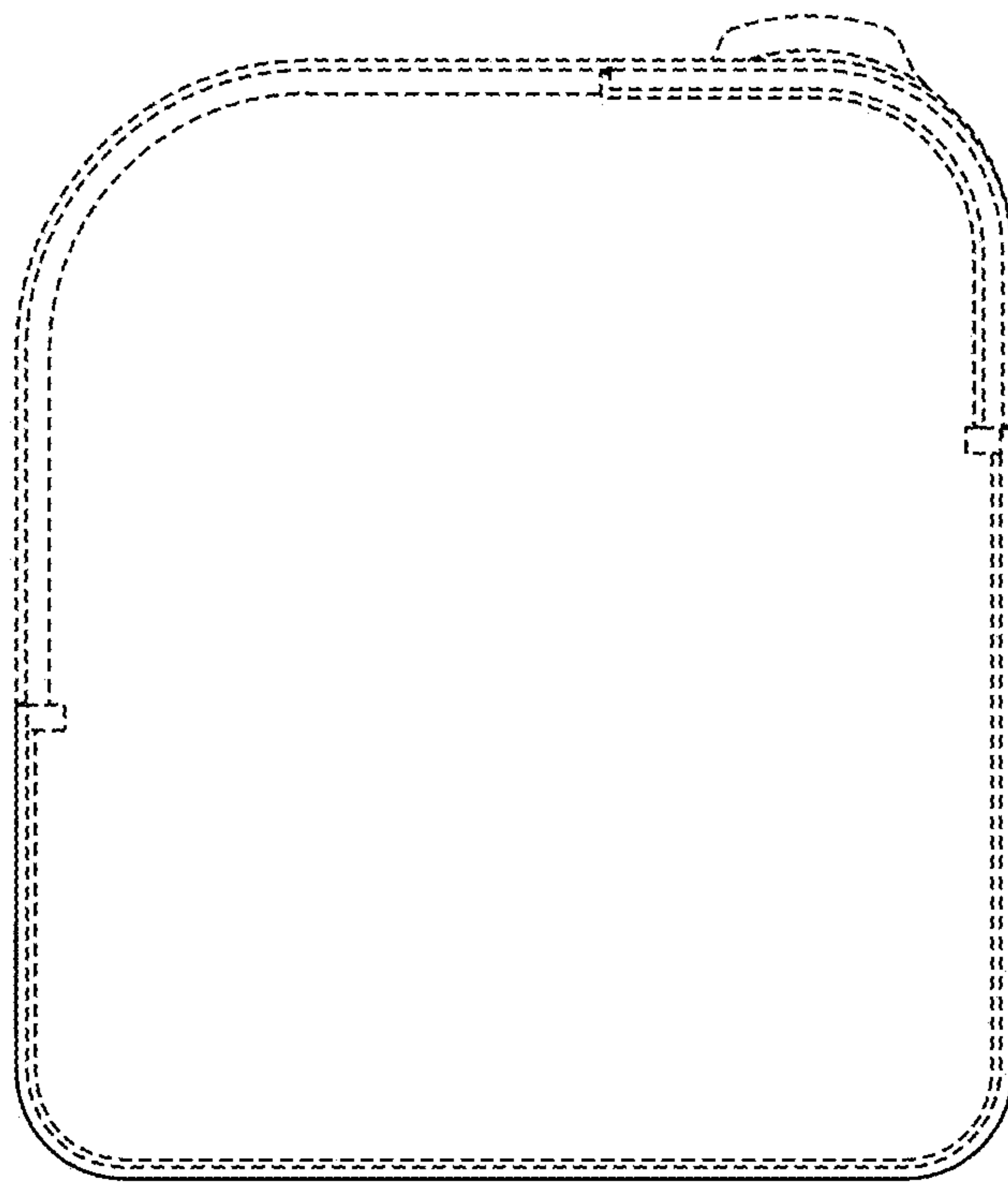


FIG. 7