



US00D957856S

(12) **United States Design Patent**  
**De Pra'**

(10) **Patent No.:** **US D957,856 S**  
(45) **Date of Patent:** **\*\* Jul. 19, 2022**

(54) **BEVERAGE VENDING MACHINE**

D623,462 S \* 9/2010 Ashbridge ..... D7/306  
D672,999 S \* 12/2012 De' Longhi ..... D7/309  
D701,071 S \* 3/2014 Buttler ..... A47J 31/4457  
D7/306

(71) Applicant: **SAGA COFFEE S.p.A.**, Località  
Casona (IT)

(Continued)

(72) Inventor: **Dario De Pra'**, Località Casona (IT)

**OTHER PUBLICATIONS**

(73) Assignee: **saga coffee s.p.a.**, Località Casona (IT)

Royal Black, first available Sep. 29, 2020, YouTube, [online], [site visited Aug. 12, 2021], Available from internet URL: <https://www.youtube.com/watch?v=MSXYOIKh1Ao> (Year: 2020).\*

(\*\*) Term: **15 Years**

(Continued)

(21) Appl. No.: **29/706,184**

(22) Filed: **Sep. 18, 2019**

*Primary Examiner* — Mary Ann Calabrese

*Assistant Examiner* — Natalya M Rapundalo

(30) **Foreign Application Priority Data**

(74) *Attorney, Agent, or Firm* — Dorsey & Whitney LLP

Mar. 20, 2019 (EM) ..... 006315933

(51) **LOC (13) Cl.** ..... **07-02**

(52) **U.S. Cl.**  
USPC ..... **D7/306; D7/309**

(57) **CLAIM**

The ornamental design for a beverage vending machine, as shown and described.

(58) **Field of Classification Search**

**DESCRIPTION**

USPC ..... D7/300, 304–321, 323, 350.2, 358, 372,  
D7/373, 376, 397–401, 589, 590;  
D18/39, 53; D20/1, 4; D24/216, 217,  
D24/219, 220

CPC ..... A47J 31/00; A47J 31/007; A47J 31/057;  
A47J 31/10; A47J 31/3676; A47J 31/40;  
A47J 31/402; A47J 31/404; A47J 31/41;  
A47J 31/4482; A47J 31/4489; B67D  
1/00; B67D 1/0004; B67D 1/0021; B67D  
1/0078; B67D 1/0801; B67D 1/0872;  
B67D 1/1252

See application file for complete search history.

FIG. 1 is a front right perspective view of a beverage vending machine, according to a first embodiment; FIG. 2 is a rear right perspective view thereof; FIG. 3 is a front elevational view thereof; FIG. 4 is a right side elevational view thereof; FIG. 5 is a left side elevational view thereof; FIG. 6 is a rear elevational view thereof; FIG. 7 is a top plan view thereof; FIG. 8 is a front right perspective view of a beverage vending machine, according to a second embodiment; FIG. 9 is a rear right perspective view thereof; FIG. 10 is a front elevational view thereof; FIG. 11 is a right side elevational view thereof; FIG. 12 is a left side elevational view thereof; FIG. 13 is a rear elevational view thereof; and, FIG. 14 is a top plan view thereof.

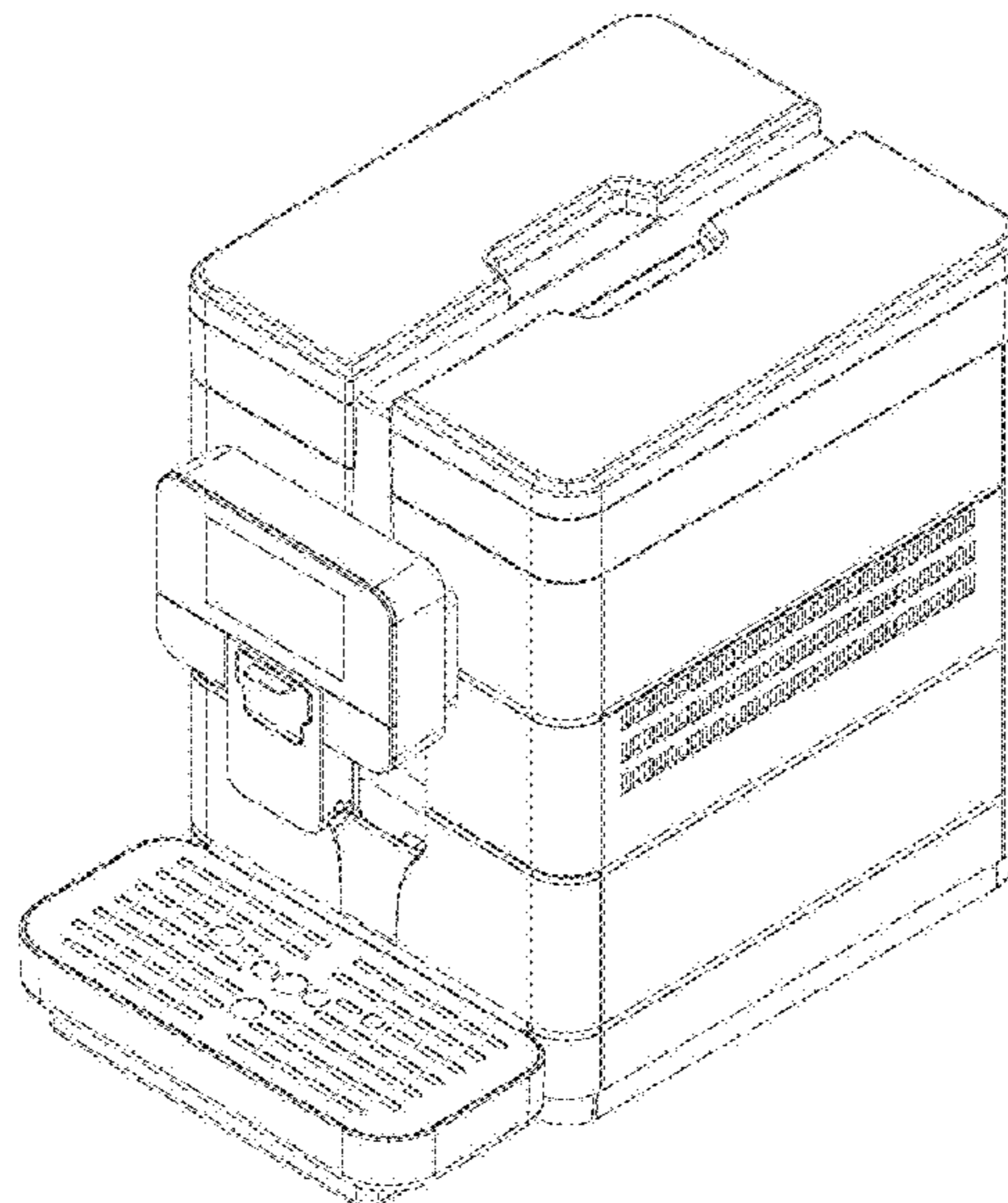
The broken lines in the drawings depict portions of the beverage vending machine that form no part of the claimed design.

(56) **References Cited**

**U.S. PATENT DOCUMENTS**

D368,617 S \* 4/1996 Jackson ..... D7/306  
D586,603 S \* 2/2009 Borin ..... D7/309  
D598,693 S \* 8/2009 Kindler ..... D7/306

**1 Claim, 14 Drawing Sheets**



(56)

**References Cited**

U.S. PATENT DOCUMENTS

D822,421 S \* 7/2018 De Pra' ..... A47J 31/4482  
D7/309  
D878,133 S \* 3/2020 Cecchetto ..... D7/309  
D931,671 S \* 9/2021 Bignu ..... D7/309  
2007/0295752 A1\* 12/2007 Morin ..... A47J 31/404  
222/173  
2019/0365142 A1\* 12/2019 Beau ..... A47J 31/4482  
2021/0186255 A1\* 6/2021 Rijskamp ..... A47J 31/4457

OTHER PUBLICATIONS

Royal Black, Saeco Professional, [online], [site visited Jul. 30, 2021], Available from internet URL: <https://www.saecoprofessional.it/royal/it/royal-black.php> (Year: 2021).\*

\* cited by examiner

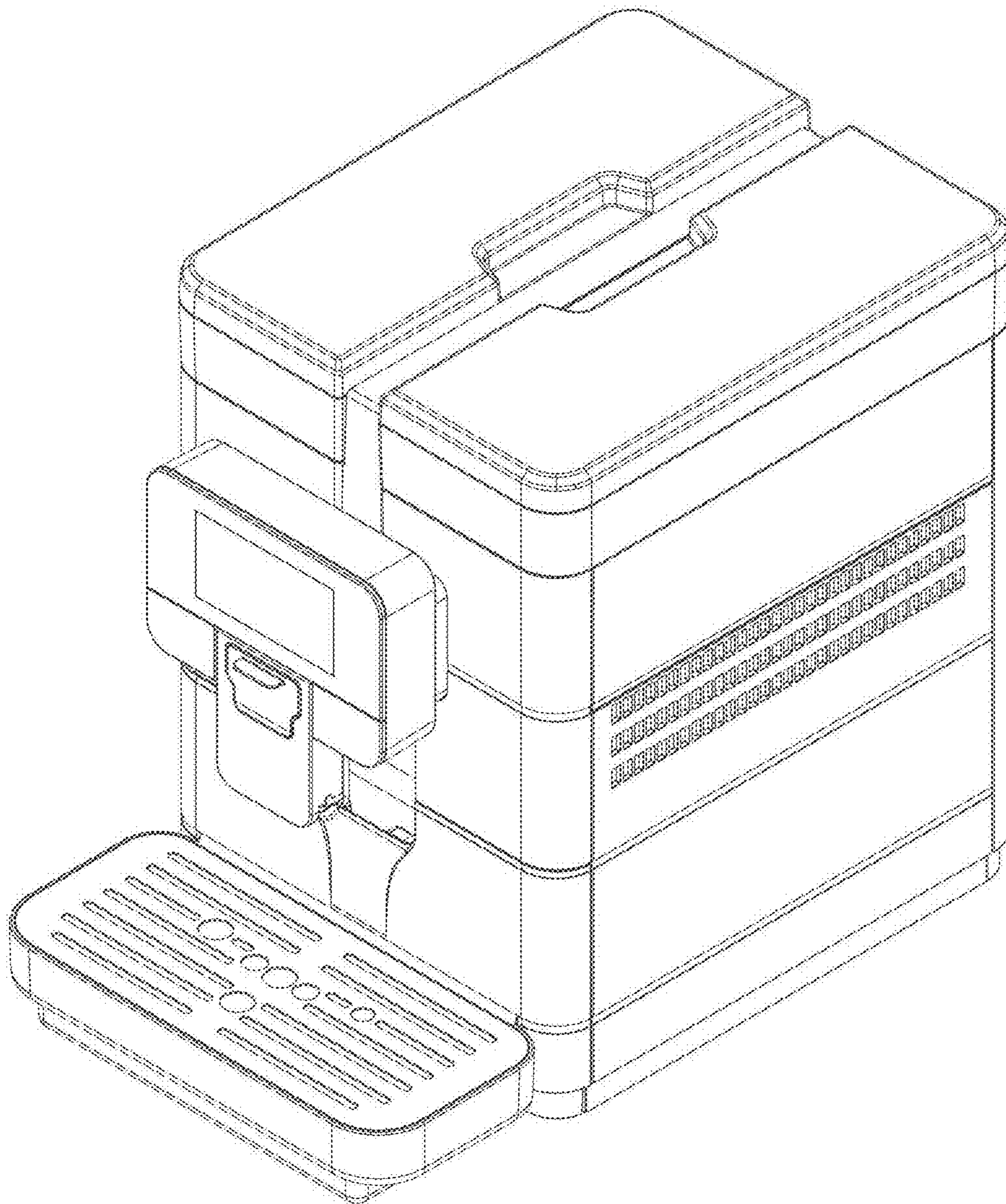


FIG. 1

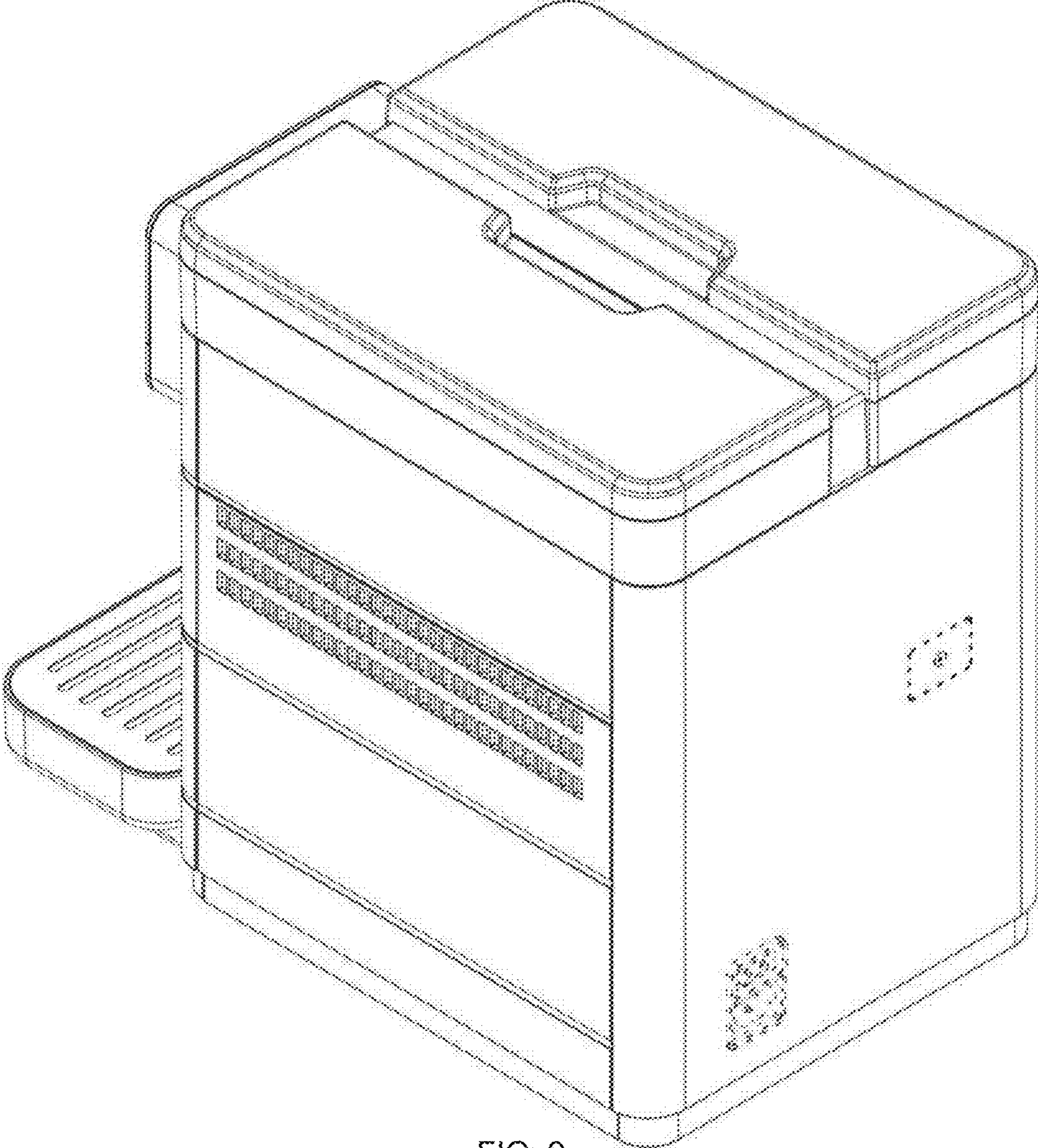


FIG. 2

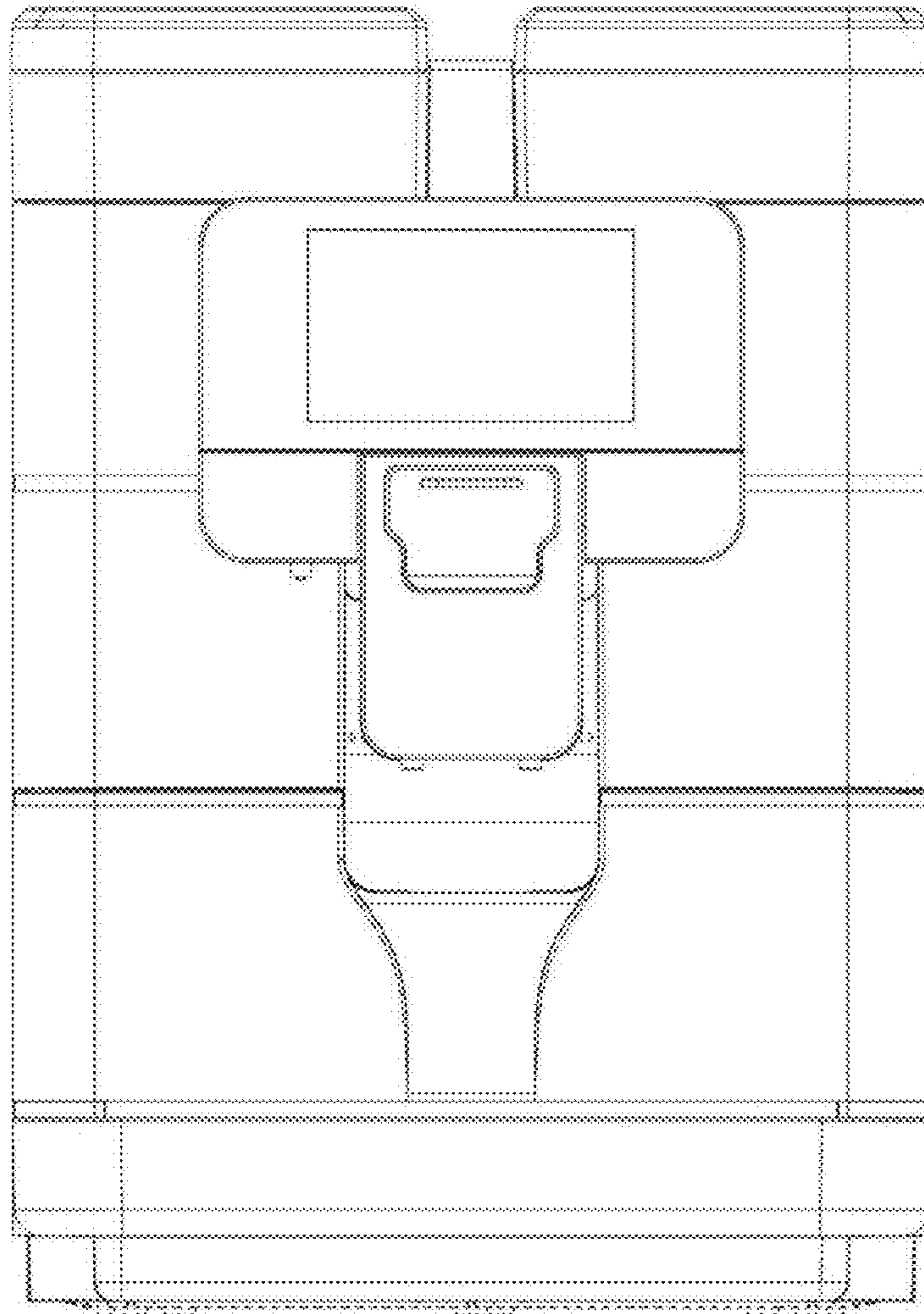


FIG. 3

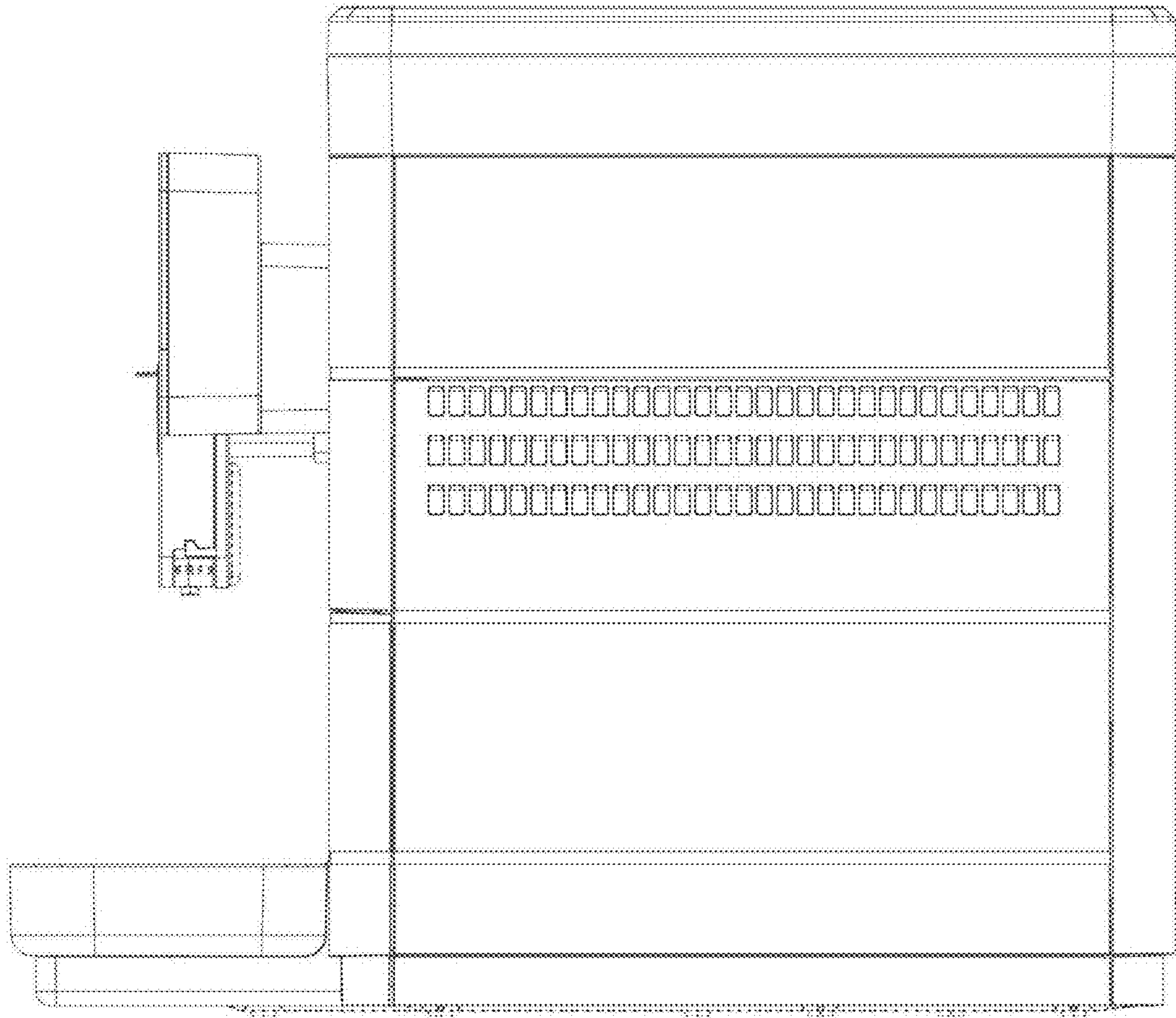


FIG. 4

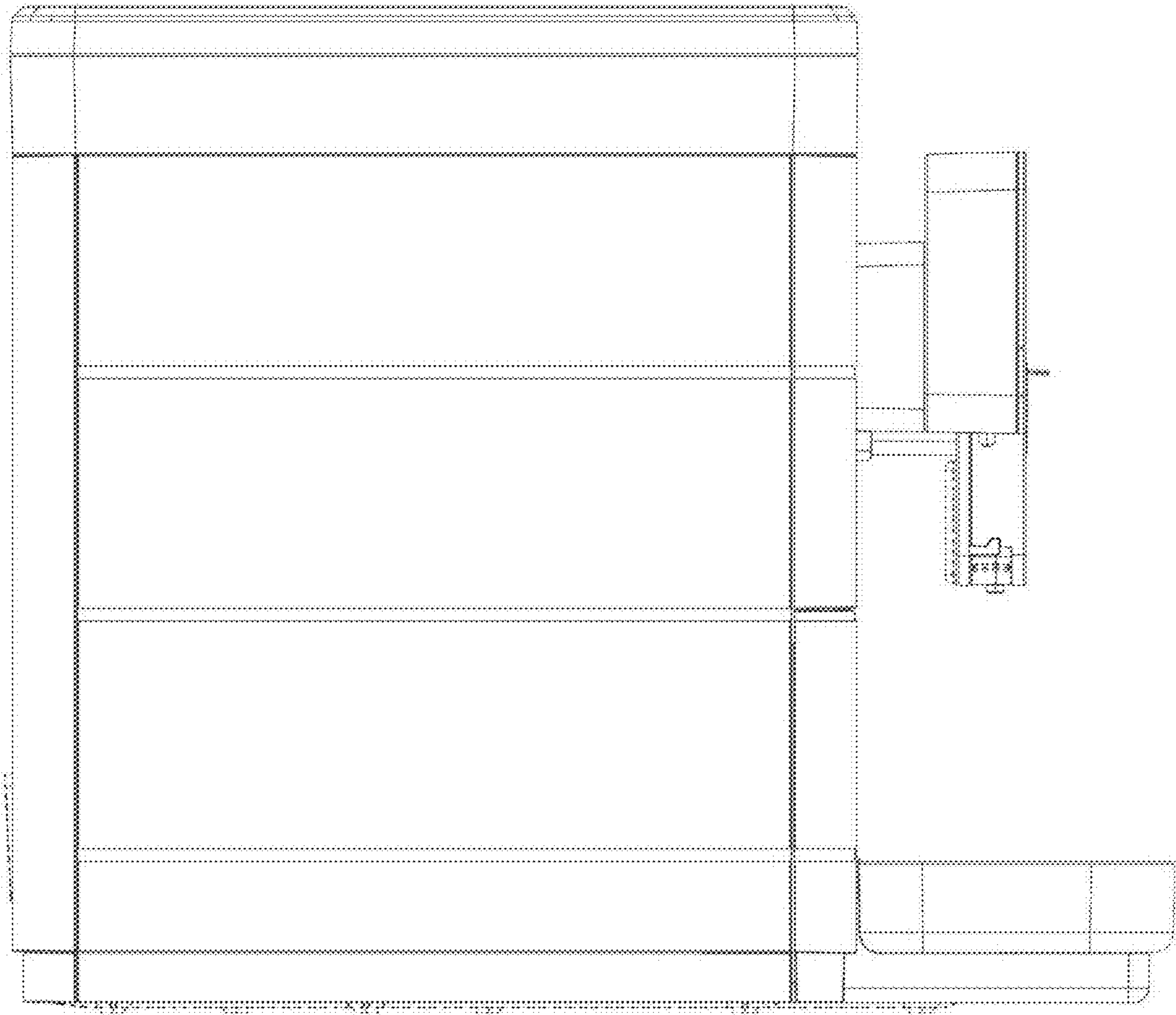


FIG. 5

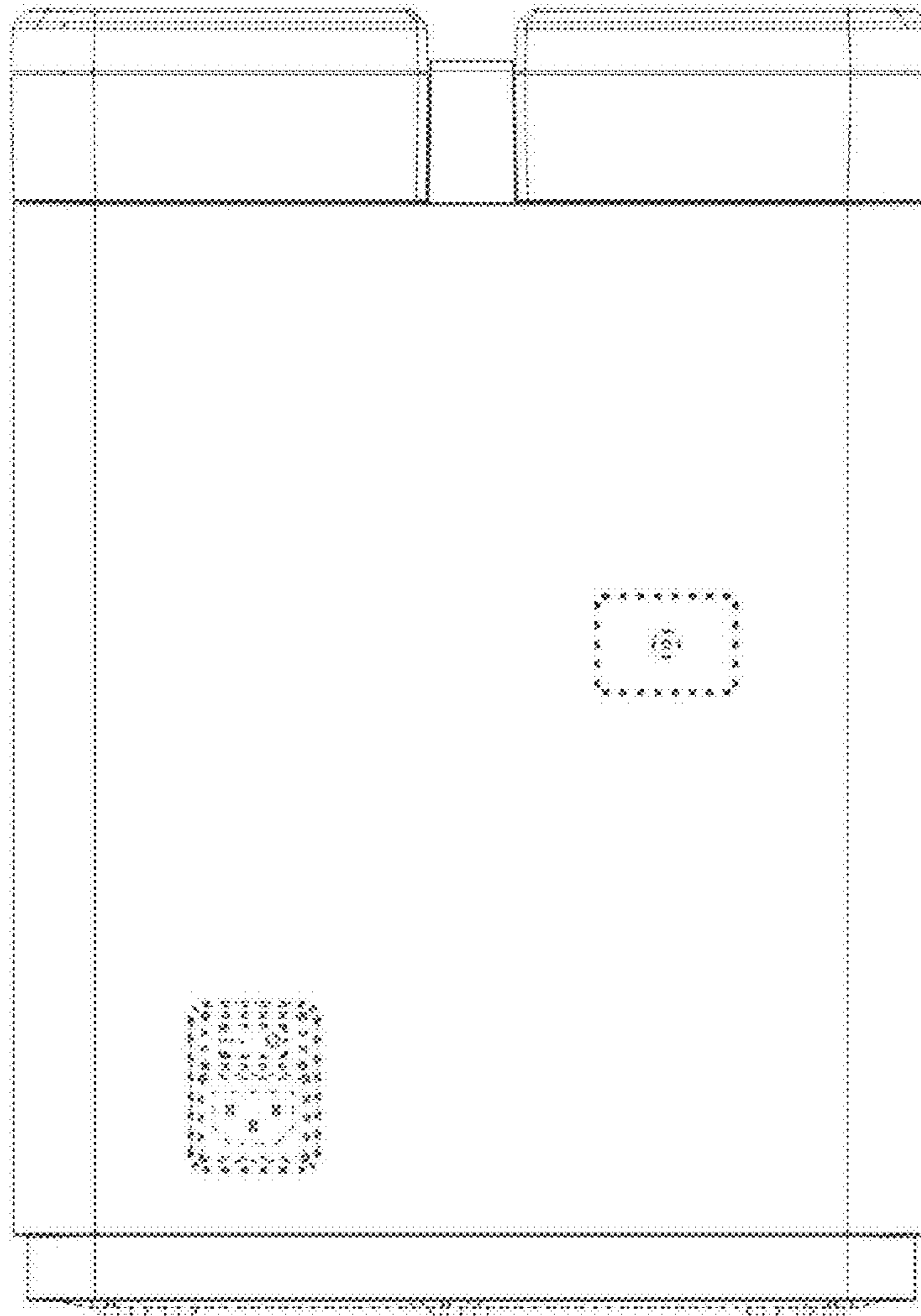


FIG. 6



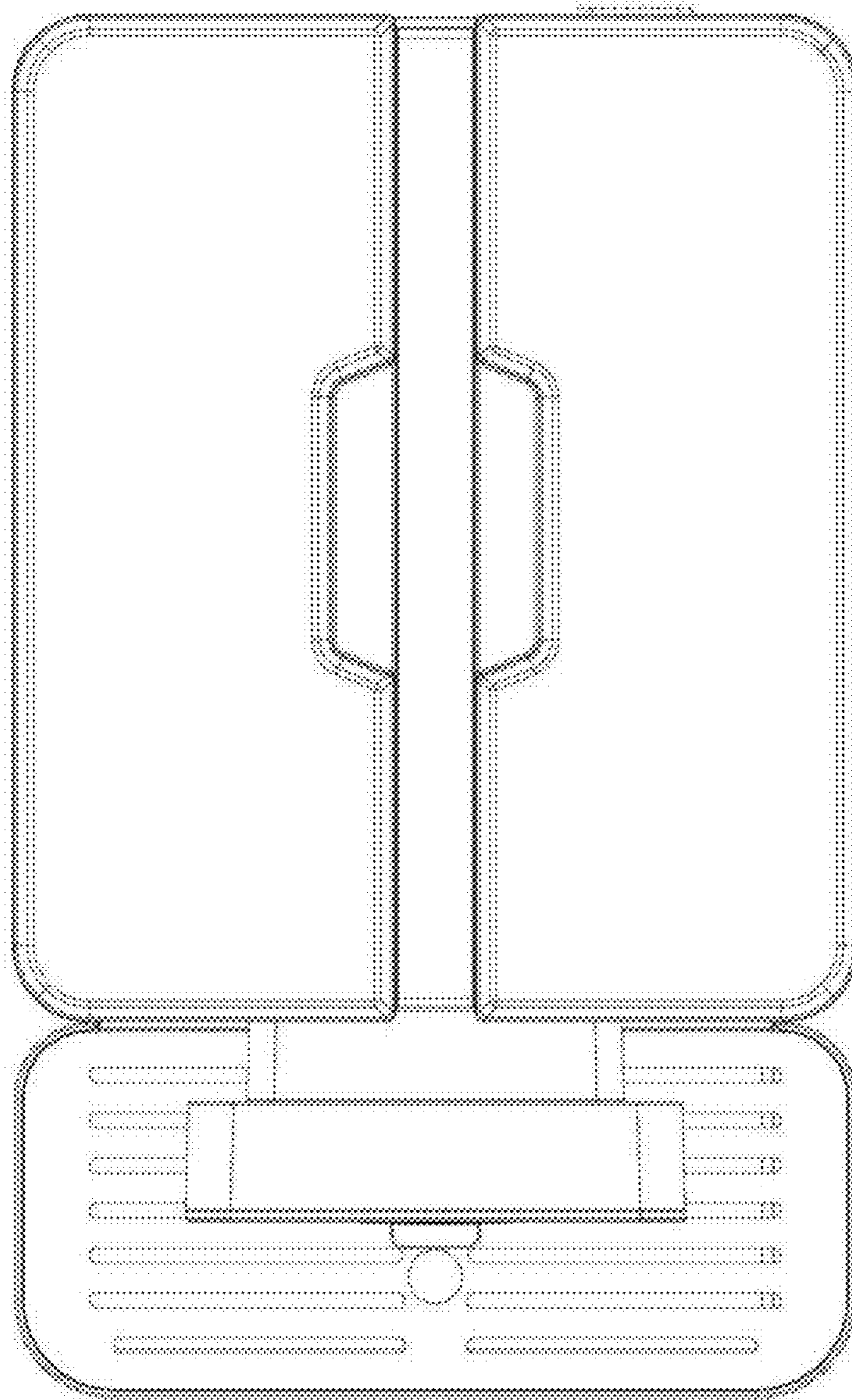


FIG. 7

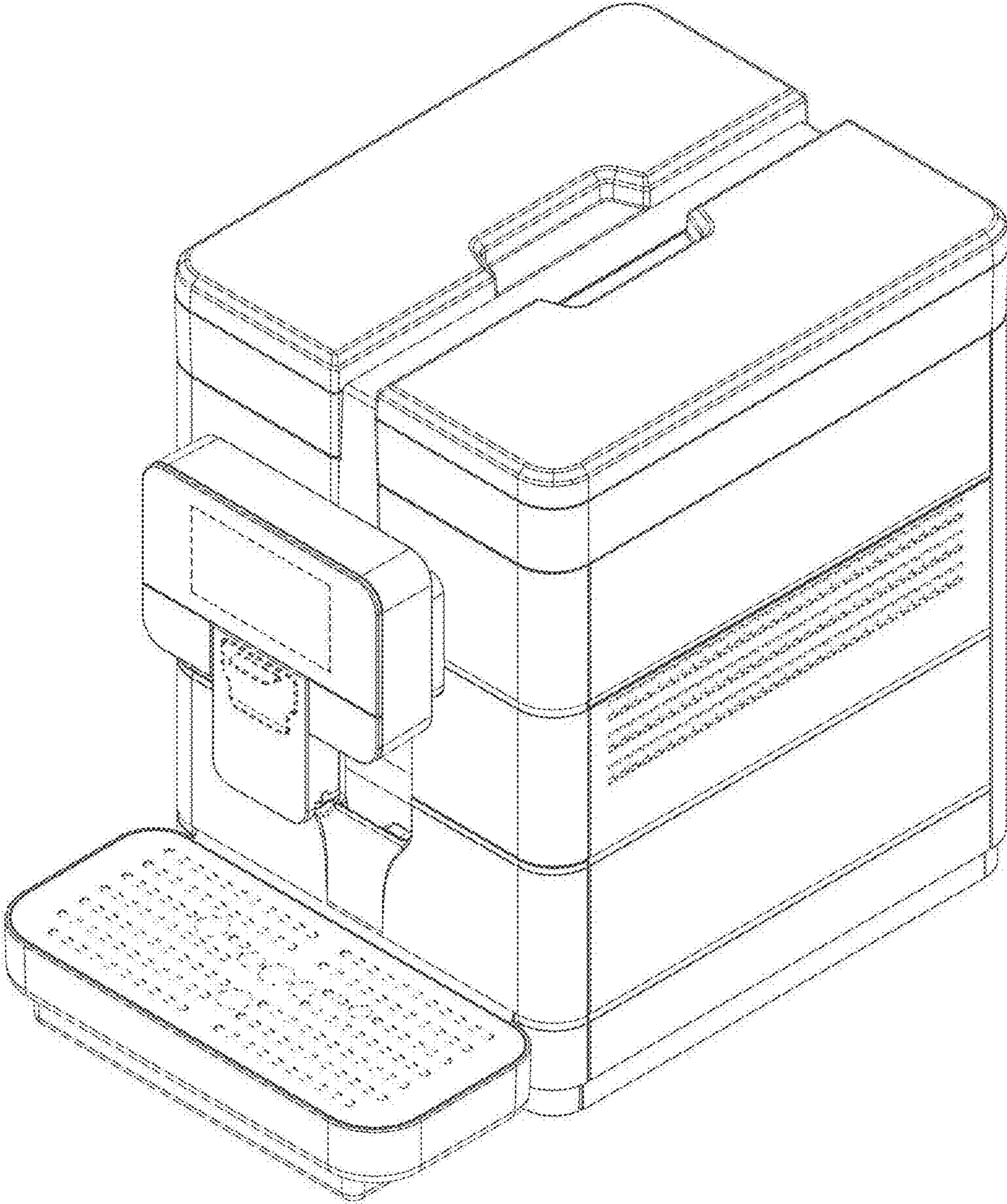


FIG. 8

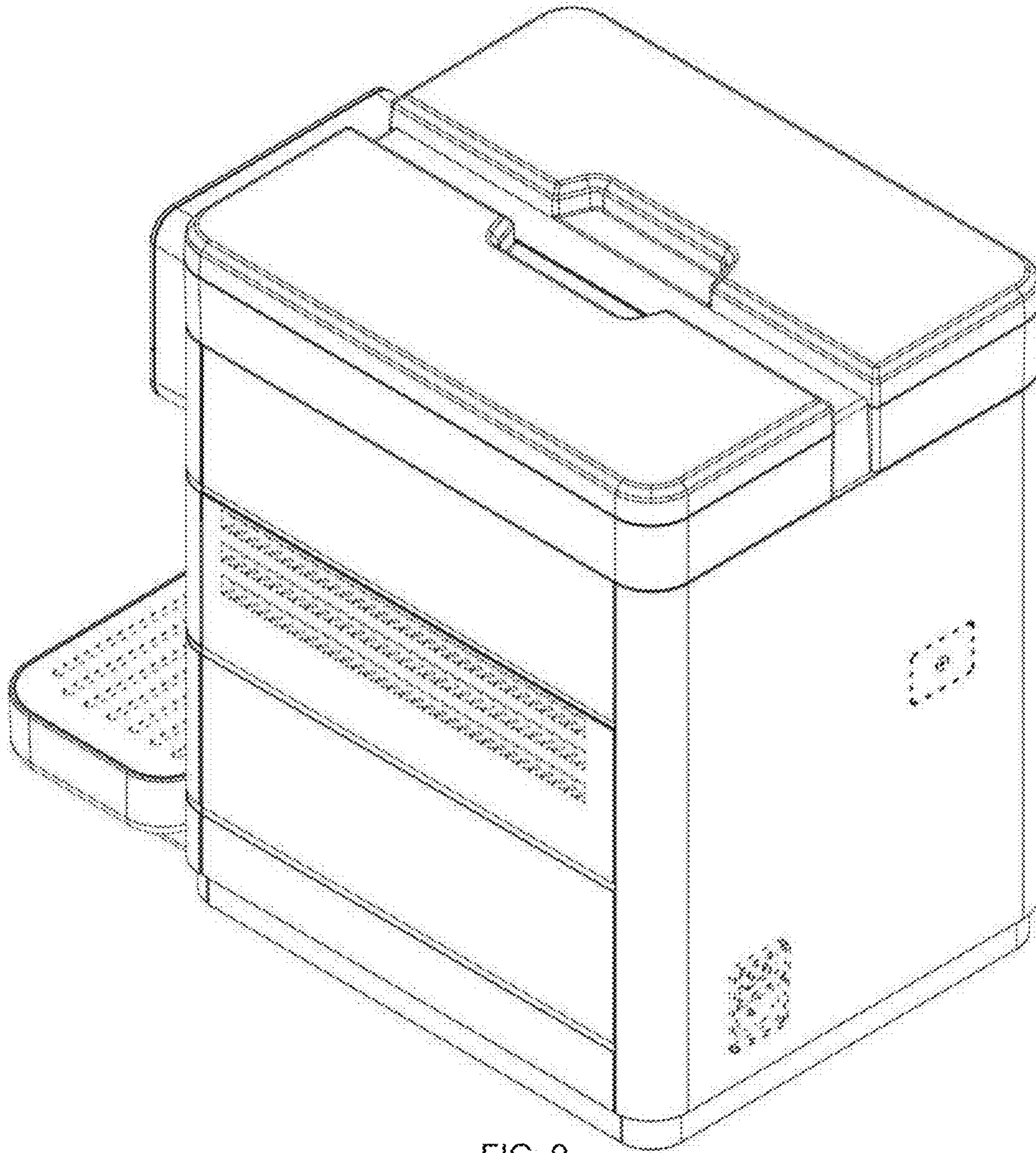


FIG. 9

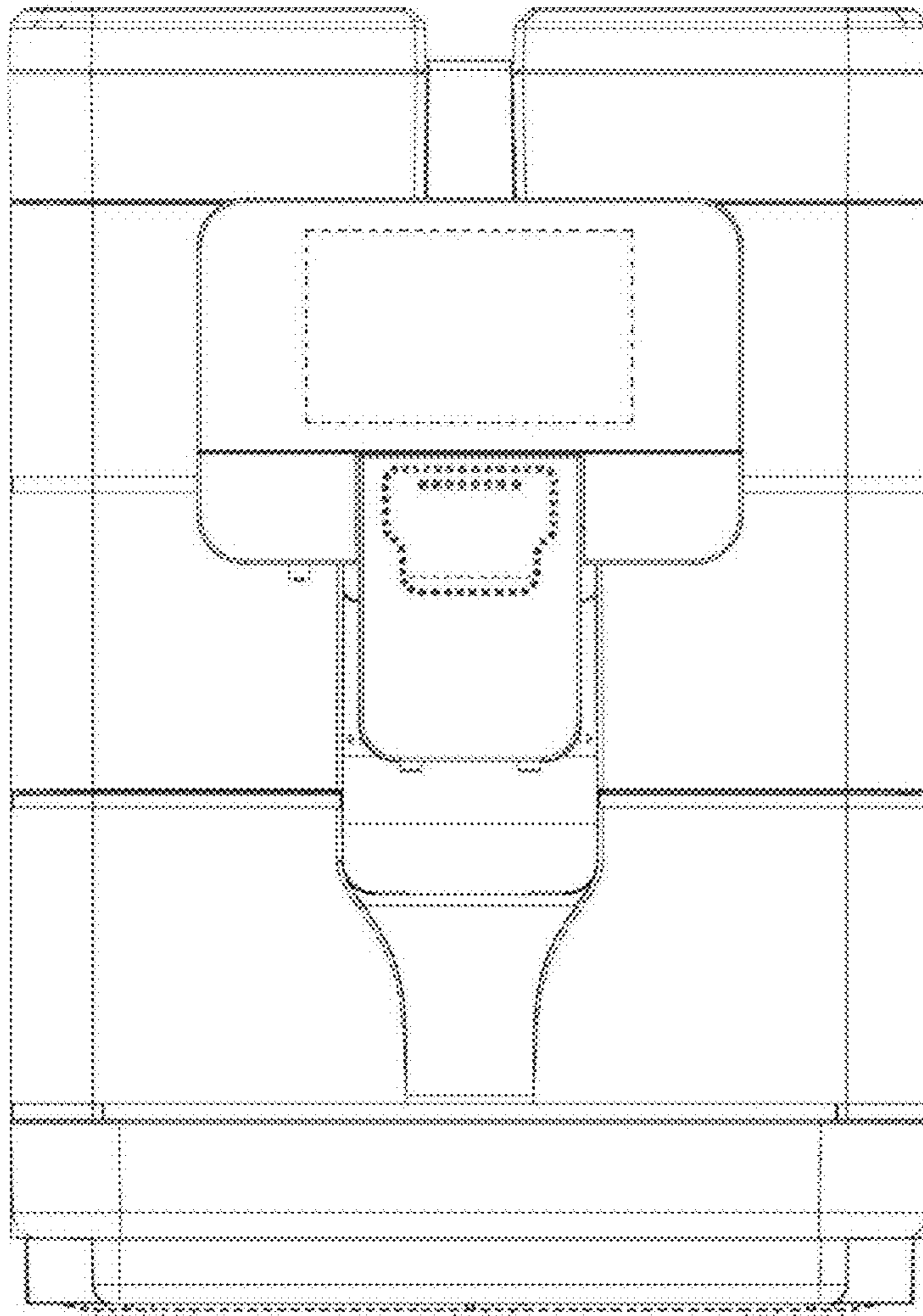


FIG. 10

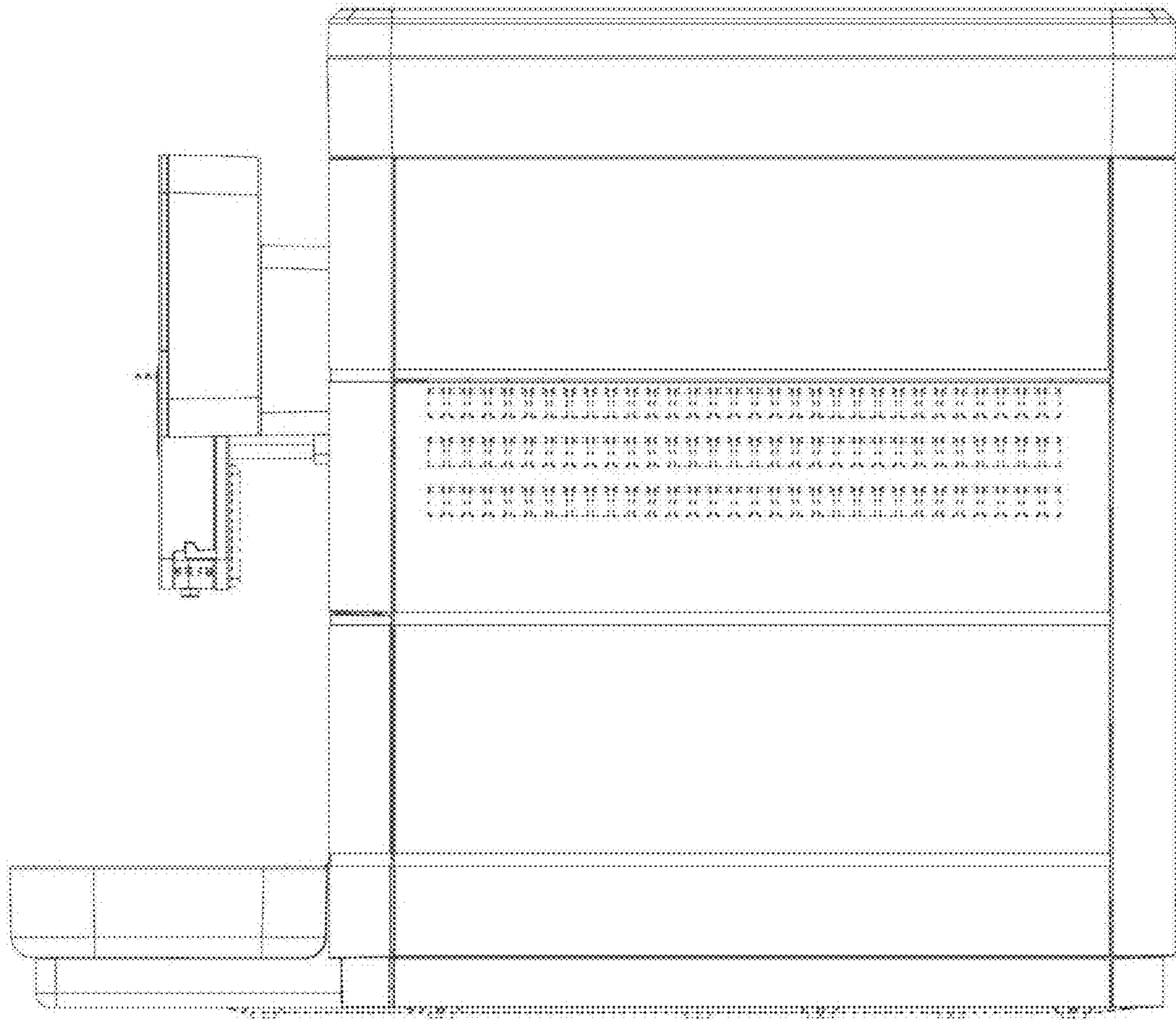


FIG. 11

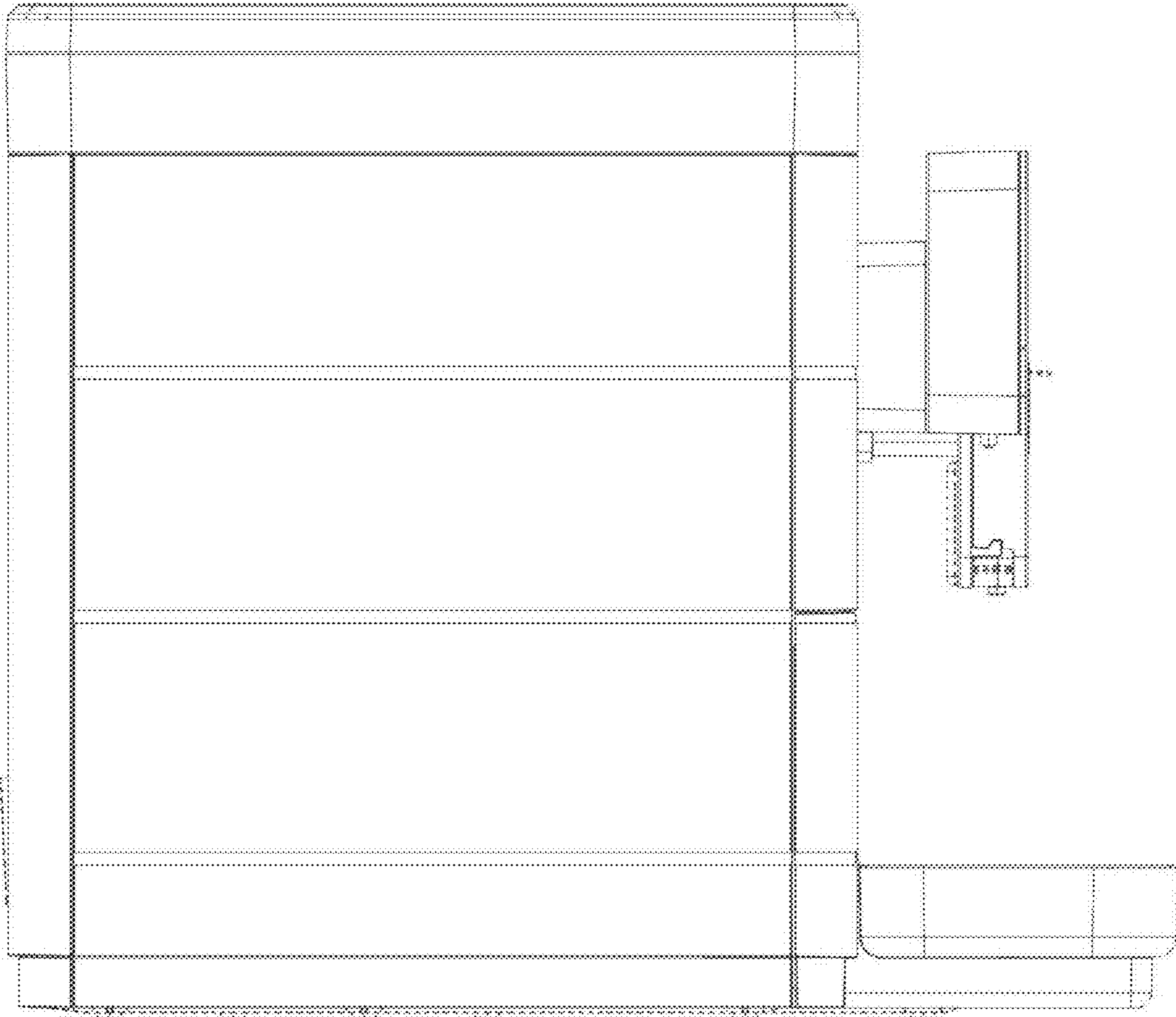


FIG. 12

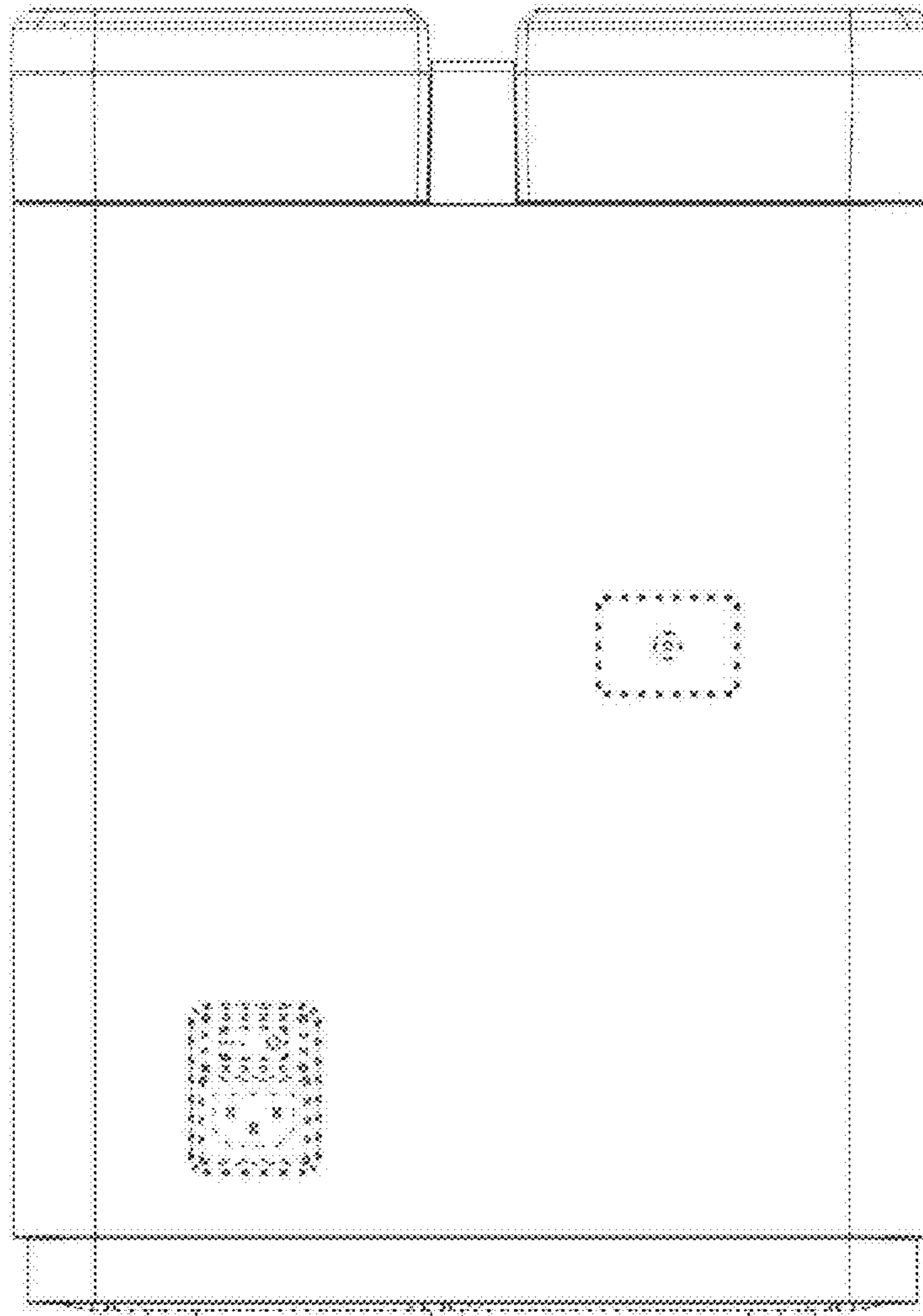


FIG. 13

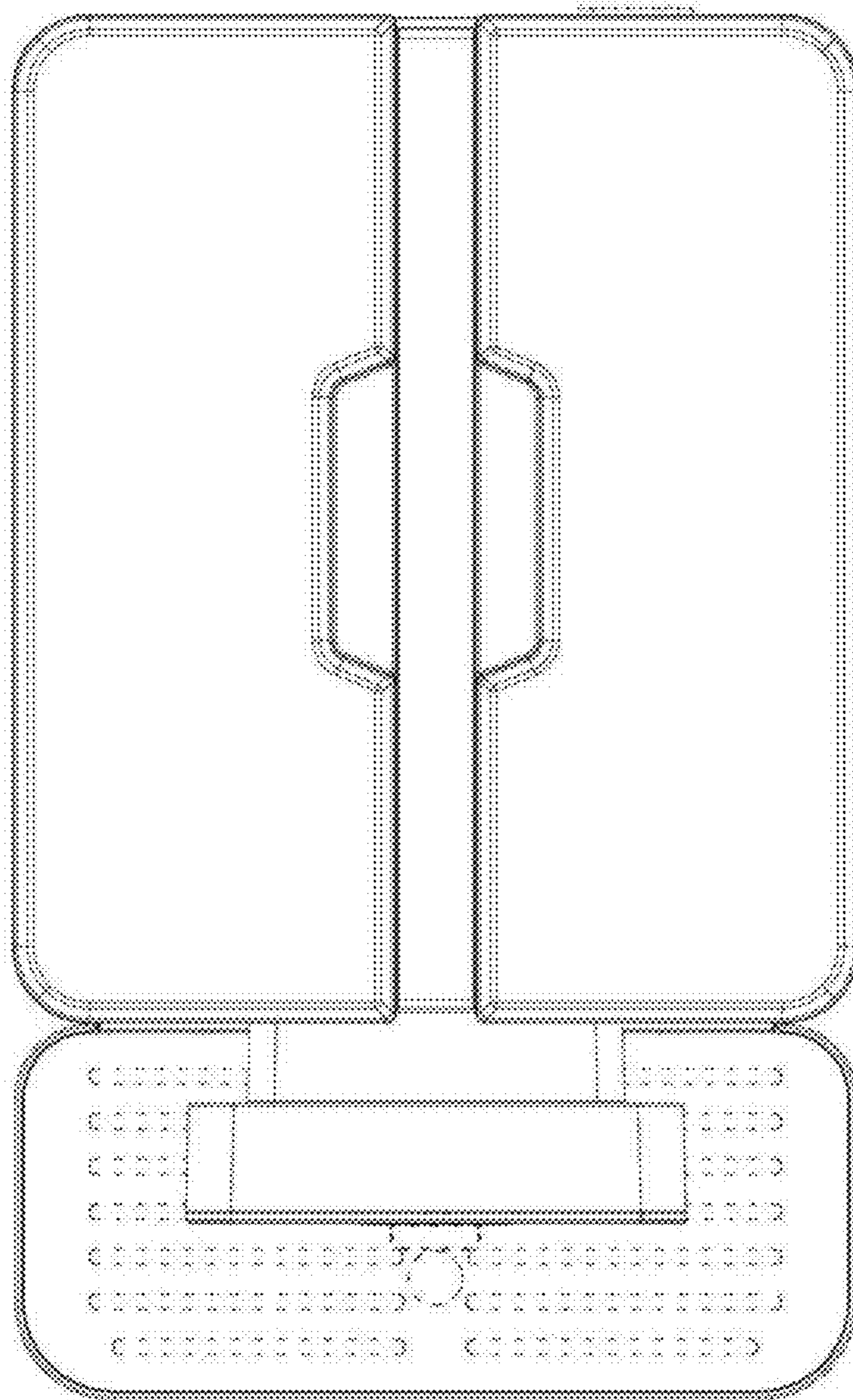


FIG. 14