



US00D957855S

(12) **United States Design Patent**
Rafieha

(10) **Patent No.:** **US D957,855 S**
(45) **Date of Patent:** **** Jul. 19, 2022**

(54) **FURNITURE AND FURNITURE CONTROLLER**

FOREIGN PATENT DOCUMENTS

(71) Applicant: **Abbyson Living LLC**, Calabasas, CA (US)

CN 110626286 A 12/2019
CN 111134479 A 5/2020
(Continued)

(72) Inventor: **Rodd Rafieha**, Calabasas, CA (US)

OTHER PUBLICATIONS

(73) Assignee: **Abbyson Living, LLC**, Calabasas, CA (US)

Patio Furniture Newport Outdoor, [online] Published on May 7, 2016. Retrieved Jul. 11, 2017 from URL: <https://www.abbyson.com/index.php/products/outdoor/patio-furniture/newport-outdoor-espresso-brown-wicker-6-piece-sectional-dl-rs038-6pc-detail>.

(**) Term: **15 Years**

(Continued)

(21) Appl. No.: **29/835,944**

(22) Filed: **Apr. 22, 2022**

Primary Examiner — Mimoso De
(74) *Attorney, Agent, or Firm* — Ferguson Case Orr Paterson LLP

Related U.S. Application Data

(62) Division of application No. 29/722,781, filed on Jan. 31, 2020.

(51) **LOC (13) Cl.** **06-01**

(52) **U.S. Cl.**
USPC **D6/717**

(58) **Field of Classification Search**
USPC D6/334–336, 367, 371, 373, 374, 381, D6/716, 716.2, 716.7, 717; D10/108; D13/162–168, 169, 177; D14/388, 389
CPC A47C 1/12; A47C 1/121; A47C 1/122; A47C 4/02; A47C 4/028; A47C 7/24; A47C 7/54; A47C 17/02; A47C 17/16; A47C 17/162; A47C 17/163; A47C 17/165; A47C 17/175; A47C 1/035; A47C 1/0352; A47C 7/506
See application file for complete search history.

(57) **CLAIM**

The ornamental design for furniture and furniture controller, as shown and described herein.

DESCRIPTION

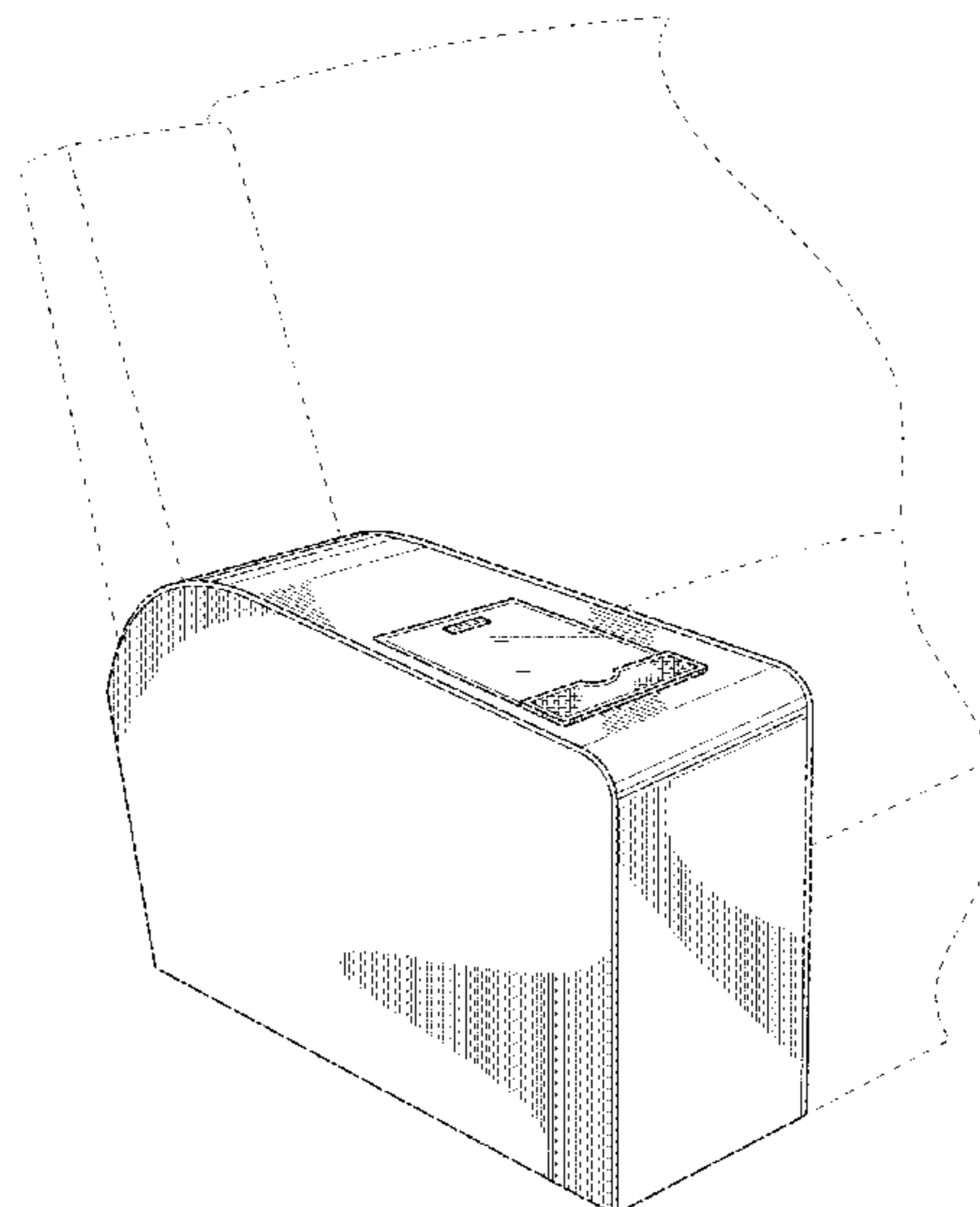
FIG. 1 is a perspective view of furniture and furniture controller of the present invention;
FIG. 2 is a perspective view of furniture and furniture controller of the present invention;
FIG. 3 is a top view of furniture and furniture controller of the present invention;
FIG. 4 is front view of furniture and furniture controller of the present invention;
FIG. 5 is a back view of furniture and furniture controller of the present invention;
FIG. 6 is a side view of furniture and furniture controller of the present invention; and,
FIG. 7 is also a side view of furniture and furniture controller of the present invention.
The features shown in broken lines in FIGS. 1-7 form no part of the claimed design in the embodiment shown.

(56) **References Cited**

U.S. PATENT DOCUMENTS

2,696,870 A 12/1954 Mende
D224,994 S 10/1972 Sokolowski
D228,161 S 8/1973 Andrus
(Continued)

1 Claim, 7 Drawing Sheets



(56)

References Cited

U.S. PATENT DOCUMENTS

D247,594 S 3/1978 Corson
 D260,823 S * 9/1981 Stulik, Jr. D6/335
 D270,308 S 8/1983 Aronowitz
 D271,924 S * 12/1983 Nishimoto D6/716.2
 D284,428 S 7/1986 Raftery
 D297,080 S 8/1988 Hemberg
 D379,014 S 4/1997 Woods, II
 D450,944 S 11/2001 Shepard
 D554,078 S * 10/2007 Laurent D13/164
 D561,496 S 2/2008 Kreiss
 D569,111 S * 5/2008 Swanson D6/381
 D622,988 S * 9/2010 Alford D6/716.2
 D650,605 S 12/2011 Haimoff
 D651,012 S 12/2011 Lenney
 D664,782 S 8/2012 Lenney
 D668,465 S 10/2012 Adir
 D747,991 S * 1/2016 Lee D10/108
 D882,981 S * 5/2020 Dix D6/381
 2004/0004376 A1 * 1/2004 Cabebe A47C 7/54
 601/49
 2009/0152915 A1 6/2009 Krasna
 2009/0152917 A1 6/2009 Ostler
 2010/0176632 A1 7/2010 Alford
 2012/0223555 A1 9/2012 Brown, Jr.
 2013/0137524 A1 5/2013 Scott
 2014/0197666 A1 7/2014 Koch
 2017/0202357 A1 7/2017 Holzner

2018/0041354 A1 2/2018 Nelson
 2018/0310086 A1 10/2018 Tracy
 2019/0080554 A1 3/2019 Barbour
 2019/0275919 A1 9/2019 Gayon
 2019/0365170 A1 12/2019 Möwisch
 2020/0139814 A1 5/2020 Galan Garcia
 2021/0170871 A1 6/2021 Di Censo
 2021/0188140 A1 6/2021 Mizobata
 2021/0235874 A1 * 8/2021 Rafieha A47C 7/506

FOREIGN PATENT DOCUMENTS

DE 102014212881 A1 1/2016
 DE 102019105229 A1 9/2020
 EP 2745743 A1 6/2014
 FR 3086594 A1 4/2020
 KR 101873768 B1 7/2018
 KR 20200028197 A 3/2020

OTHER PUBLICATIONS

Spring Haven Brown Collection, [online] Retrieved Jul. 11, 2017 from URL: <http://www.homedepot.com/collection/patio-furniture/spring-haven-brown-collection>.
 International Search Report and Written Opinion for App. No. PCT/US21/16102, dated Apr. 14, 2021, 14 pages.
 Office Action (Non-Final Rejection) dated Feb. 1, 2022 for U.S. Appl. No. 17/164,070 (pp. 1-11).

* cited by examiner

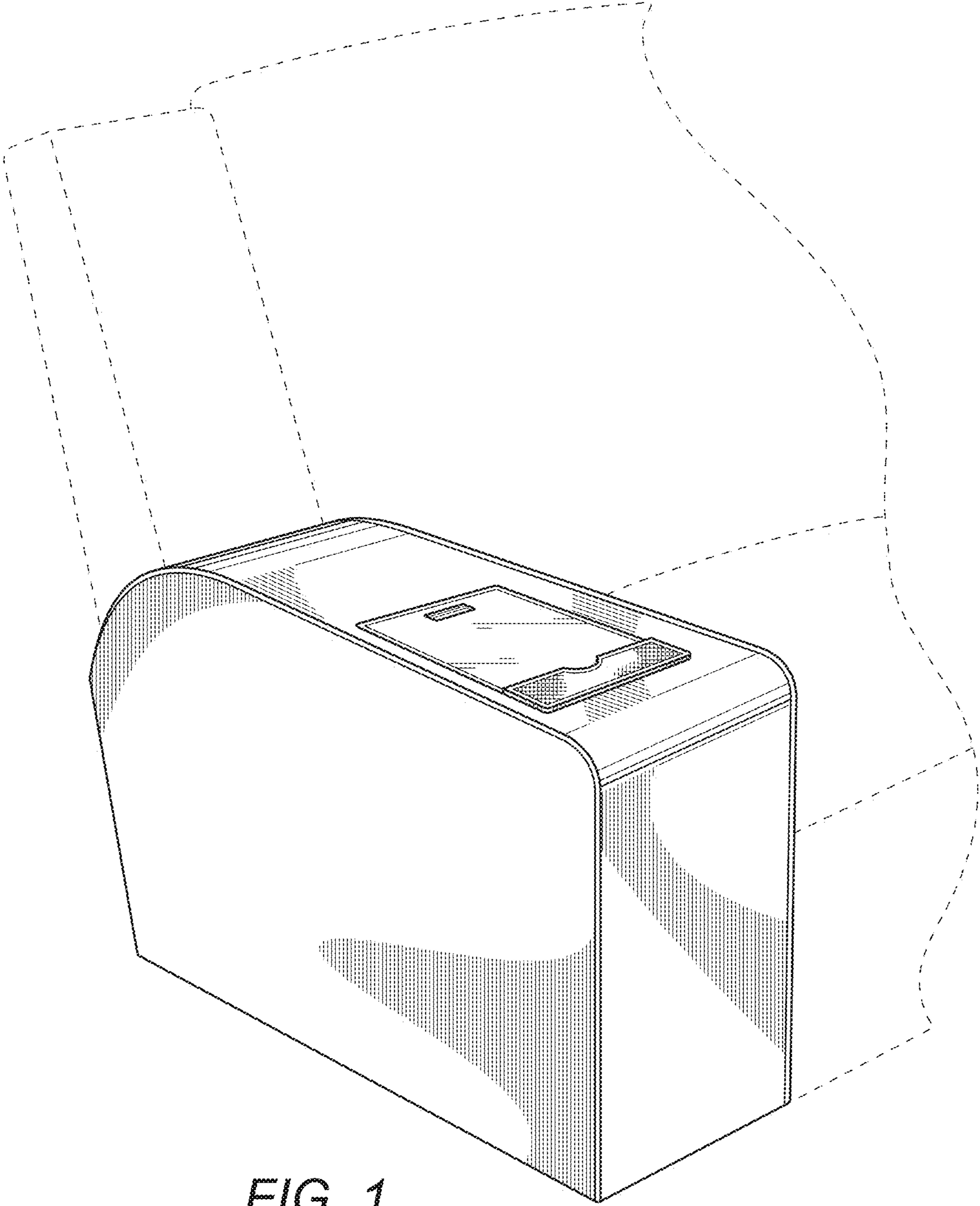
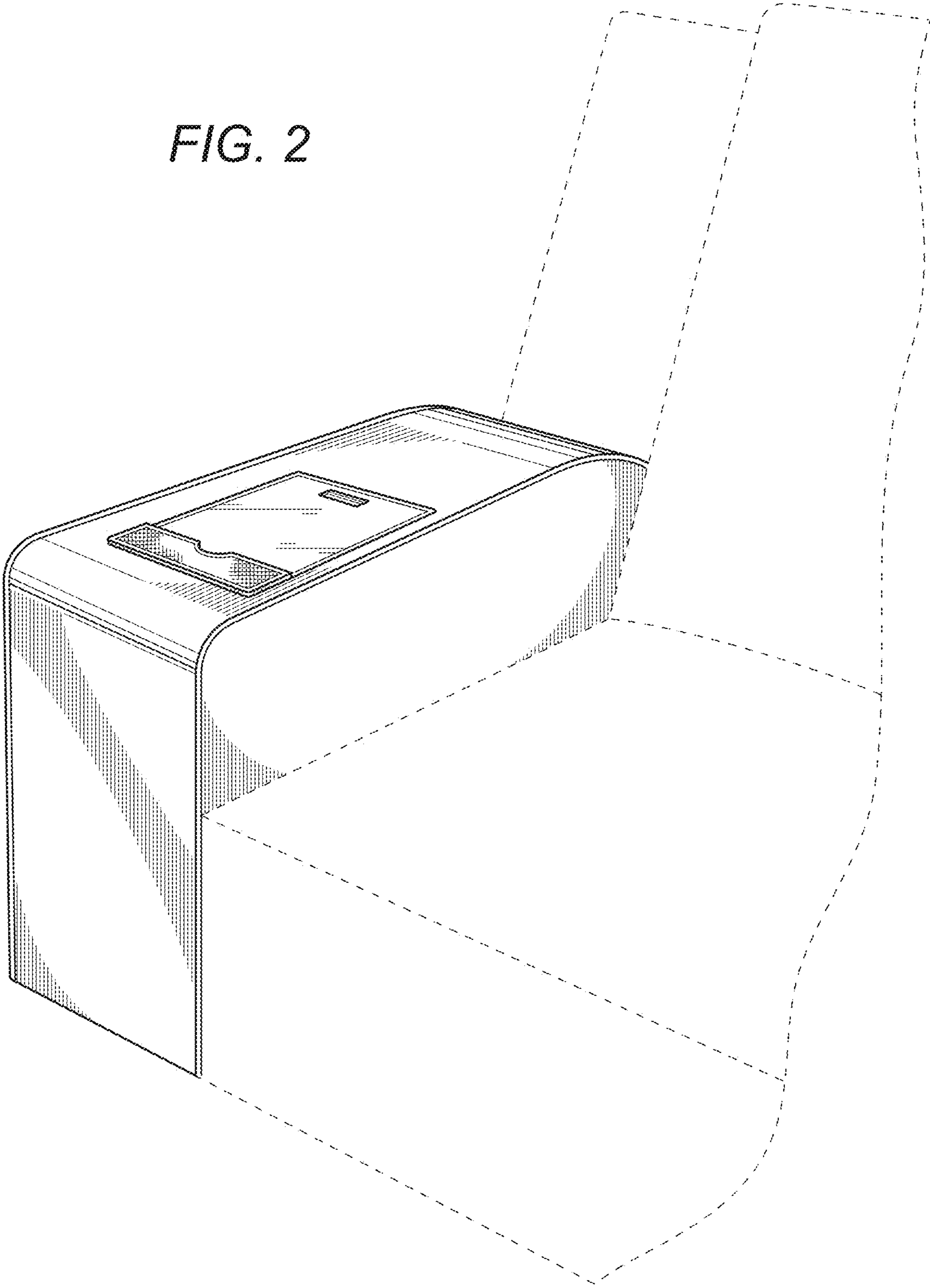


FIG. 1

FIG. 2



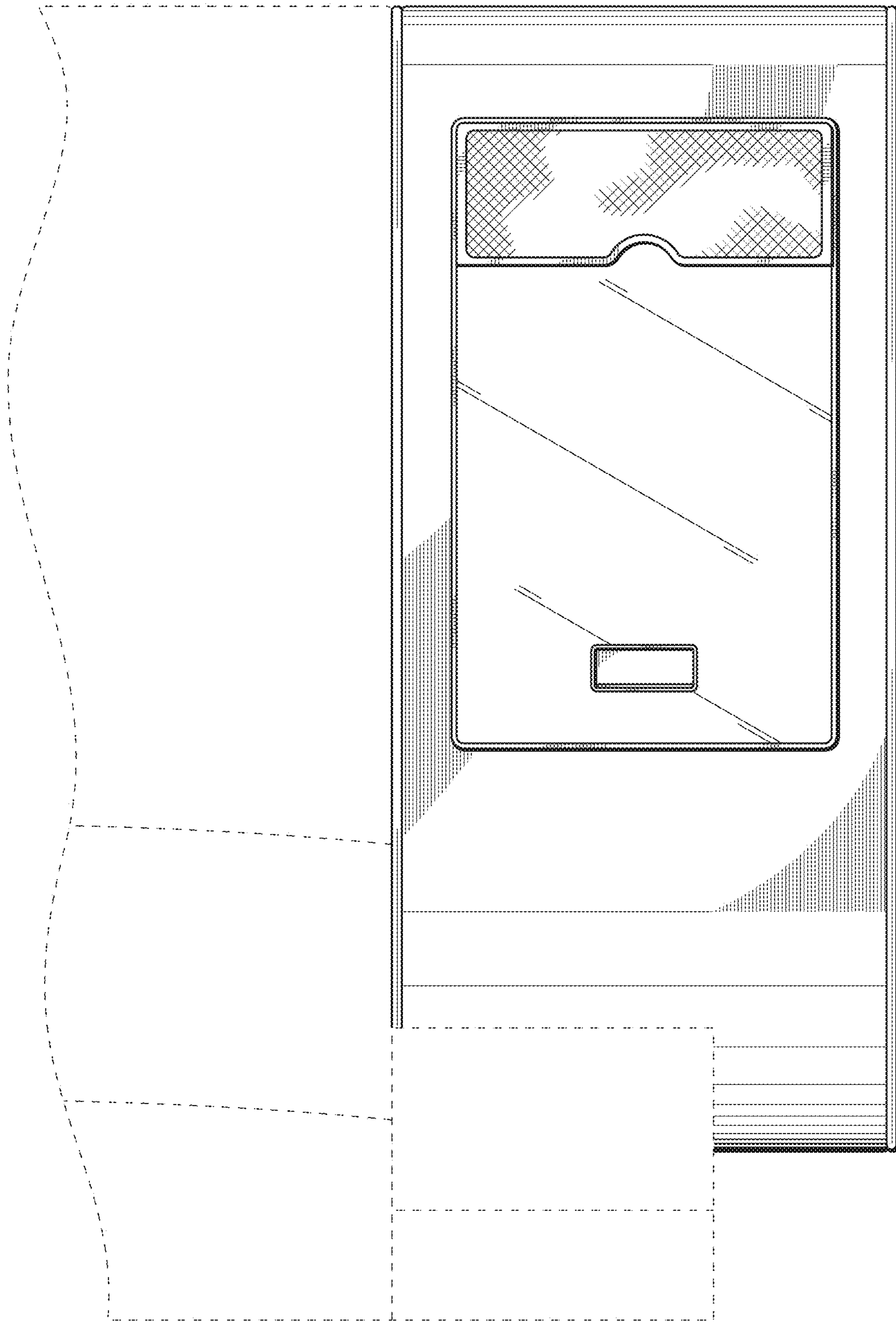


FIG. 3

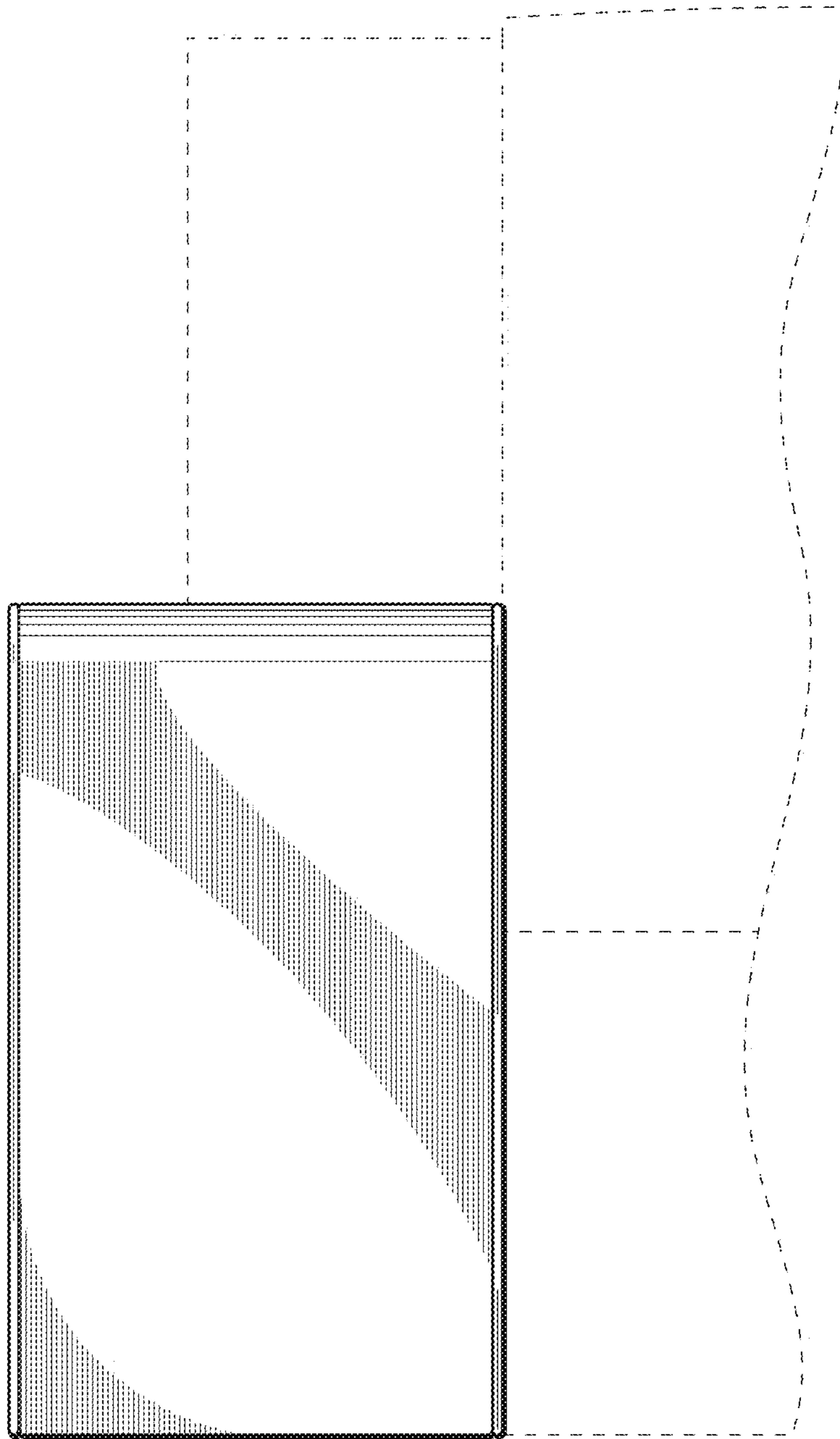


FIG. 4

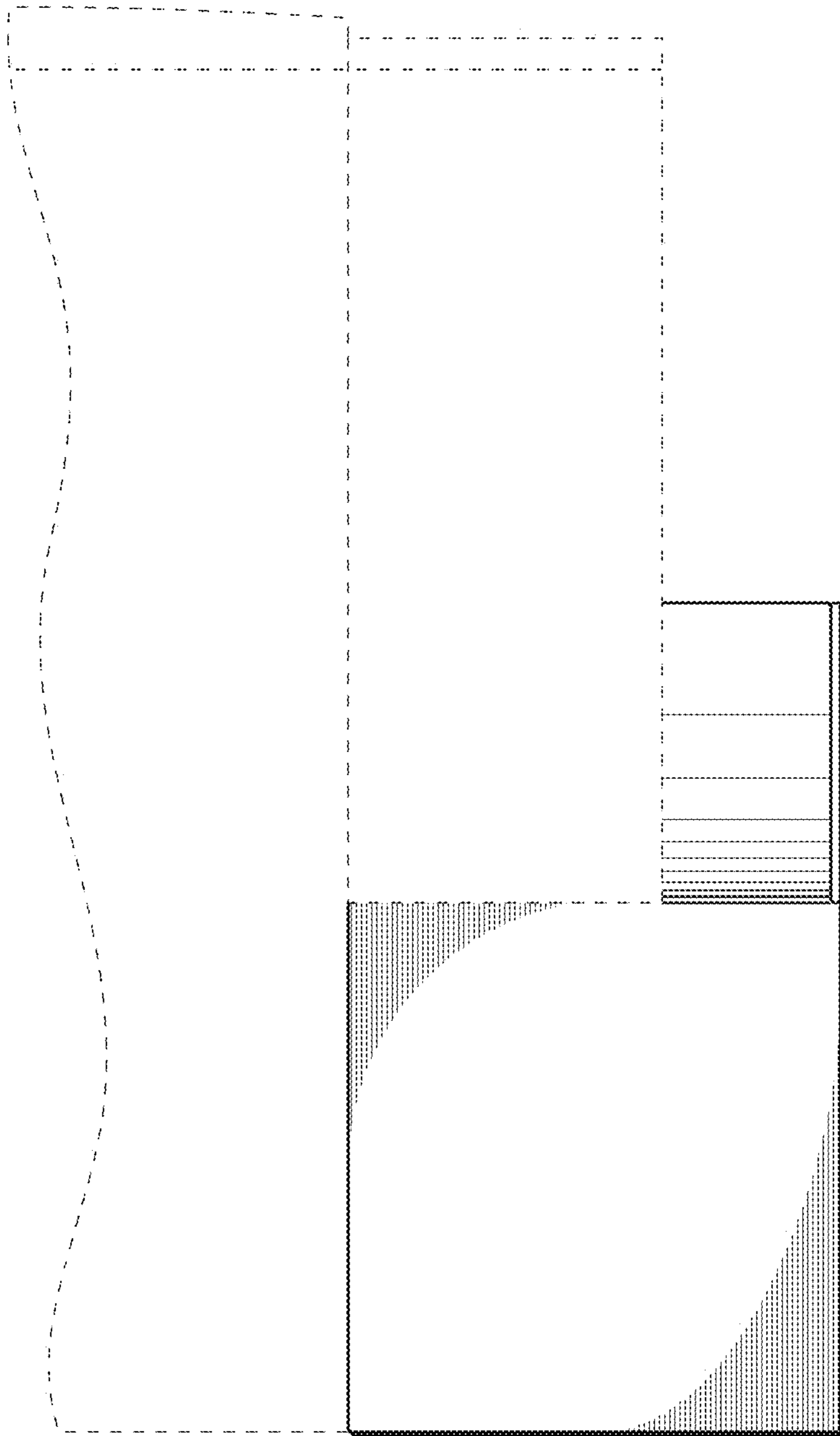


FIG. 5

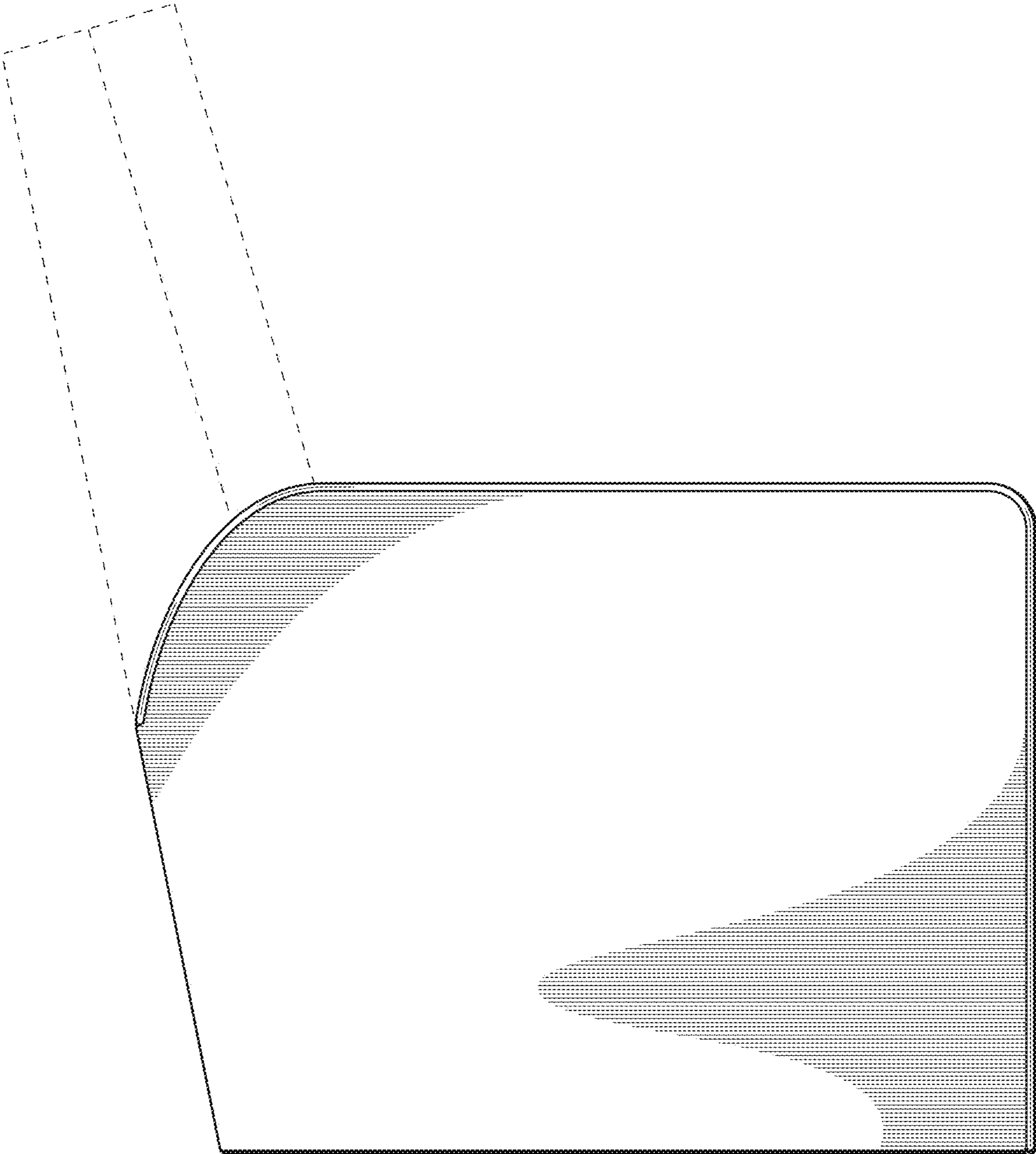


FIG. 6

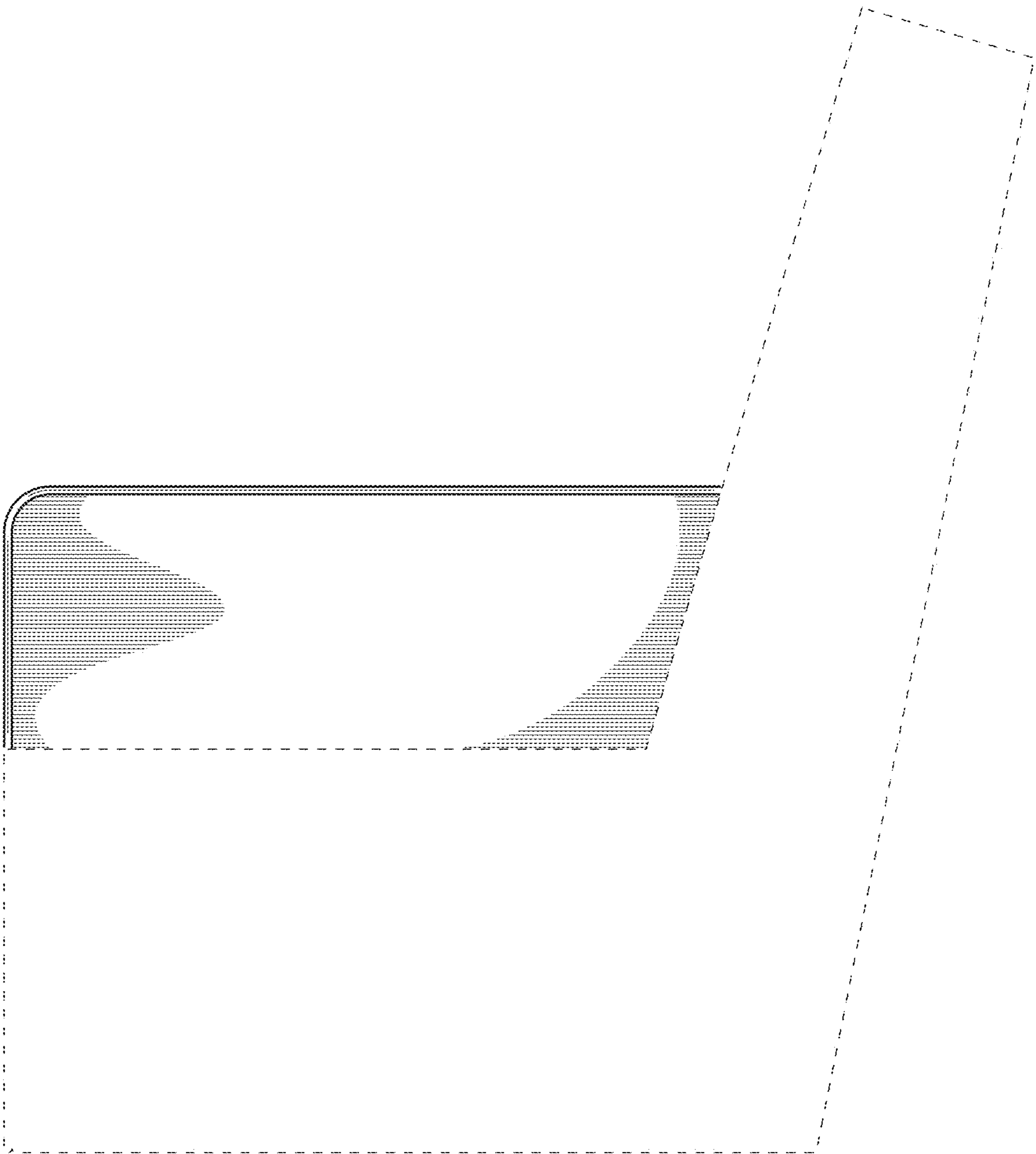


FIG. 7