



US00D957854S

(12) **United States Design Patent** (10) **Patent No.:** **US D957,854 S**
Vanderminden (45) **Date of Patent:** **** Jul. 19, 2022**

(54) **PEDESTAL BASE** 4,498,656 A 2/1985 Arild
D339,486 S 9/1993 Rizzi
(71) Applicant: **Telescope Casual Furniture, Inc.,** 5,354,027 A 10/1994 Cox
Granville, NY (US) 5,976,670 A 11/1999 Fugazzi
(72) Inventor: **William M. Vanderminden,** 6,009,815 A 1/2000 Hartman
Queensbury, NY (US) 6,386,491 B1* 5/2002 Bissett F21S 4/10
248/176.1

(Continued)

(73) Assignee: **Telescope Casual Furniture, Inc.,**
Granville, NY (US)

OTHER PUBLICATIONS

(**) Term: **15 Years**
(21) Appl. No.: **29/765,701**
(22) Filed: **Jan. 11, 2021**

Pedestal Base, designed by William Vanderminden, available from Telescope Casual Furniture, Granville, New York, Model Nos. 1X20BAS, 2X20BAS, 3X20BAS 4X20BAS, 2019 Telescope Casual Furniture Catalog cover page, pp. 79-81, 84, 86-88, and rear p. Jul. 1, 2018.

(Continued)

Related U.S. Application Data

(62) Division of application No. 29/692,099, filed on May 22, 2019, now Pat. No. Des. 910,357.

Primary Examiner — Mary Ann Calabrese
(74) *Attorney, Agent, or Firm* — Heslin Rothenberg Farley & Mesiti P.C.

(51) **LOC (13) Cl.** **06-06**

(57) **CLAIM**

(52) **U.S. Cl.**
USPC **D6/708.17; D6/708.23**

The ornamental design for a pedestal base, as shown and described.

(58) **Field of Classification Search**

DESCRIPTION

USPC D6/685, 686, 691, 691.4, 702, 708, D6/708.16, 708.17, 708.22-708.24, 709, D6/709.21, 710
CPC A47B 7/00; A47B 13/00; A47B 13/003; A47B 13/02; A47B 13/06; A47B 33/00; A47B 33/02; A47B 33/12; A47B 43/00; A47B 2200/0011; A47B 2200/0016; A47B 2200/00117; A47B 2200/002; A47B 2200/0021; A47B 2200/0022; A47B 2200/0023

FIG. 1 is a perspective view of a pedestal base in accordance with the new design;
FIG. 2 is a front elevational view thereof;
FIG. 3 is a left side elevational view thereof;
FIG. 4 is a right side elevational view thereof;
FIG. 5 is a rear elevational view thereof;
FIG. 6 is a top view thereof; and,
FIG. 7 is a bottom view thereof.

See application file for complete search history.

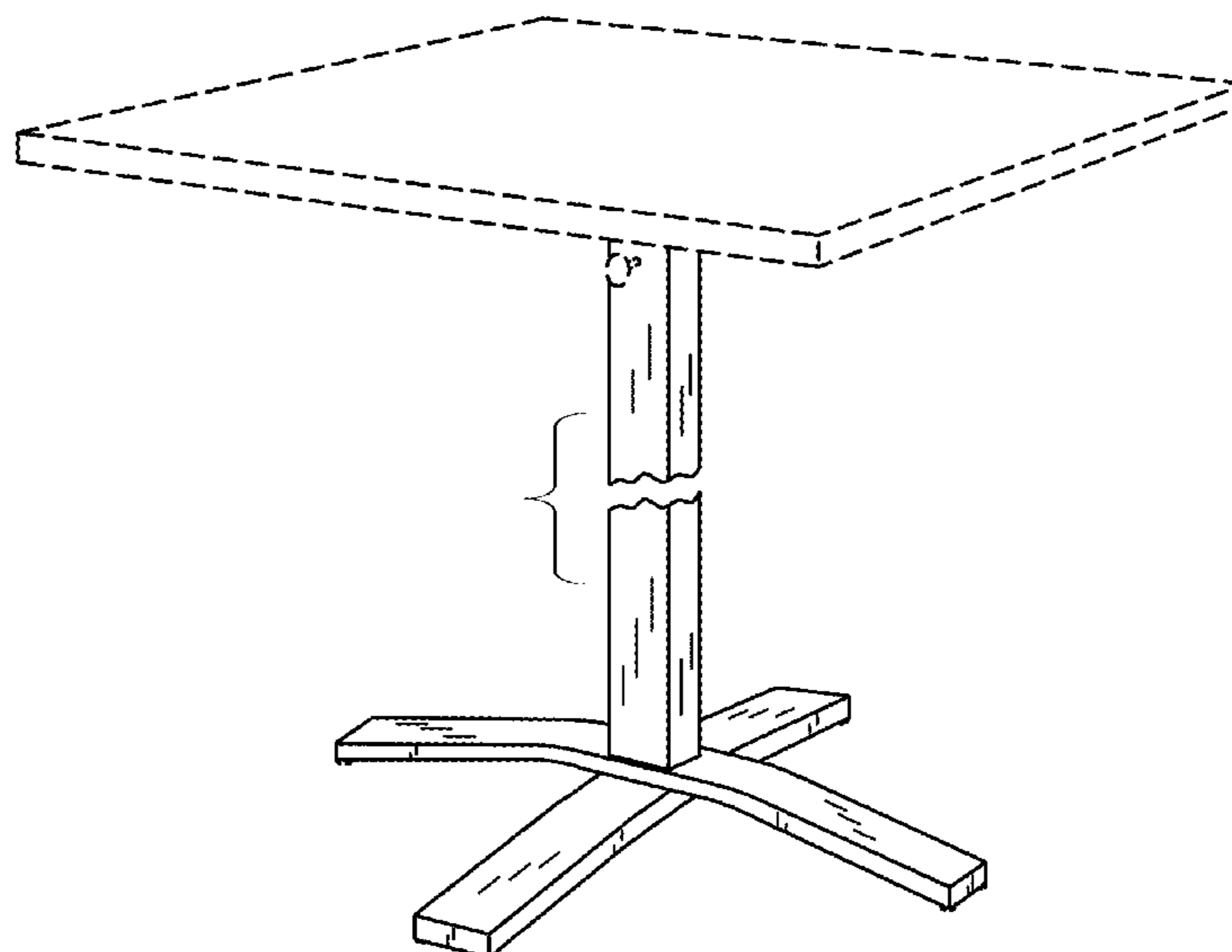
The broken lines in the figures are for environmental purposes only, and form no part of the claimed design. The pedestal base is shown with a symbolic break in its length in FIGS. 1-5. The appearance of any portion of the article between the break lines forms no part of the claimed design.

(56) **References Cited**

1 Claim, 7 Drawing Sheets

U.S. PATENT DOCUMENTS

D208,466 S 9/1967 Rodrigo
3,895,771 A 7/1975 Baum



(56)

References Cited

U.S. PATENT DOCUMENTS

D555,946 S 11/2007 DeJule
D661,521 S 6/2012 Henriott et al.
D691,405 S 10/2013 Pearsons
D784,057 S 4/2017 Levy
D910,357 S * 2/2021 Vanderminden F21S 4/10
D6/710
2016/0273701 A1 9/2016 Heyring et al.
2017/0065074 A1* 3/2017 Ilse A47B 9/20

OTHER PUBLICATIONS

Telescope Casual 2016 Catalog, Telescope Casual Furniture, Inc.,
Granville, New York, 100 pages Jul. 1, 2015.
Telescope Casual 2017 Catalog, Telescope Casual Furniture, Inc.,
Granville, New York, 100 pages Jul. 1, 2016.
Telescope Casual 2018 Catalog, Telescope Casual Furniture, Inc.,
Granville, New York, 100 pages Jul. 1, 2017.
Telescope Casual 2019 Catalog, Telescope Casual Furniture, Inc.,
Granville, New York, 100 pages Jul. 1, 2018.
Telescope Casual Furniture Outdoor/Patio Glass Top Table 30-Sweats
Furniture <https://www.sweatfurniture.com/telescope-casual-furniture-table-base/3x20bas-1091/iteminformation.aspx> retrieved from the
internet on Sep. 25, 2020.
Vanderminden, Design U.S. Appl. No. 29/692,099, filed May 22,
2019, entitled "Pedestal Base", May 22, 2019.

* cited by examiner

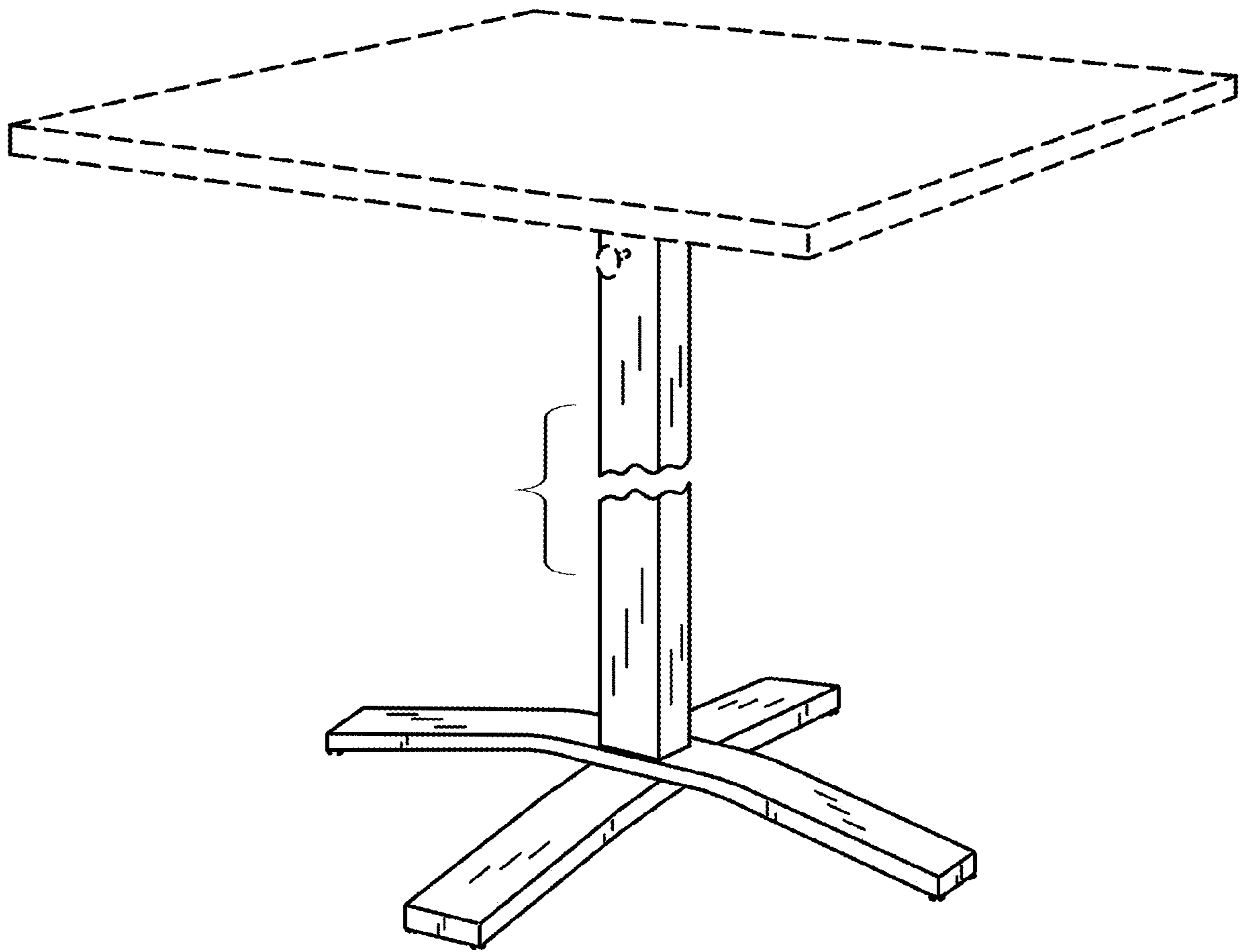


FIG. 1

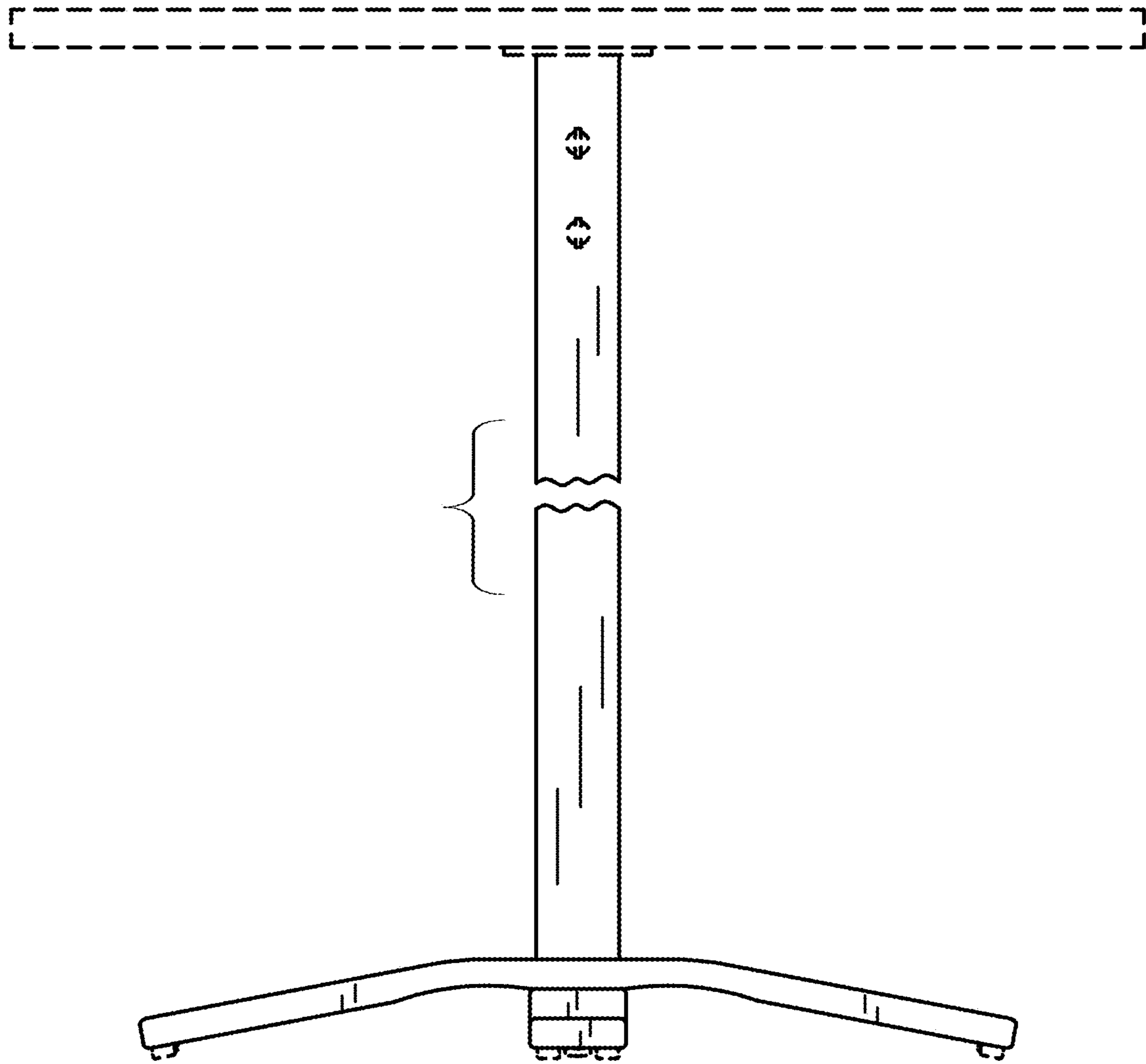


FIG. 2

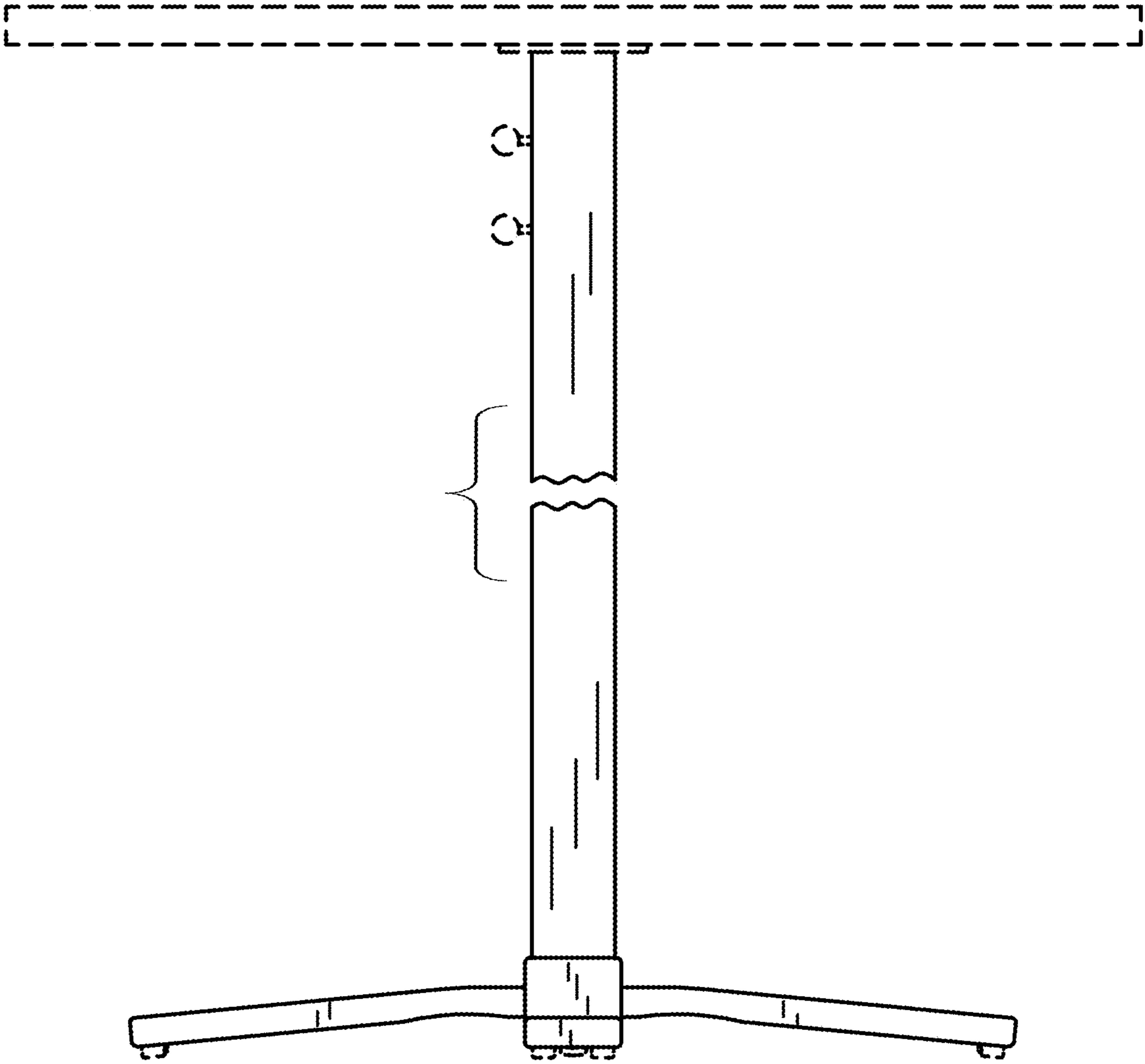


FIG. 3

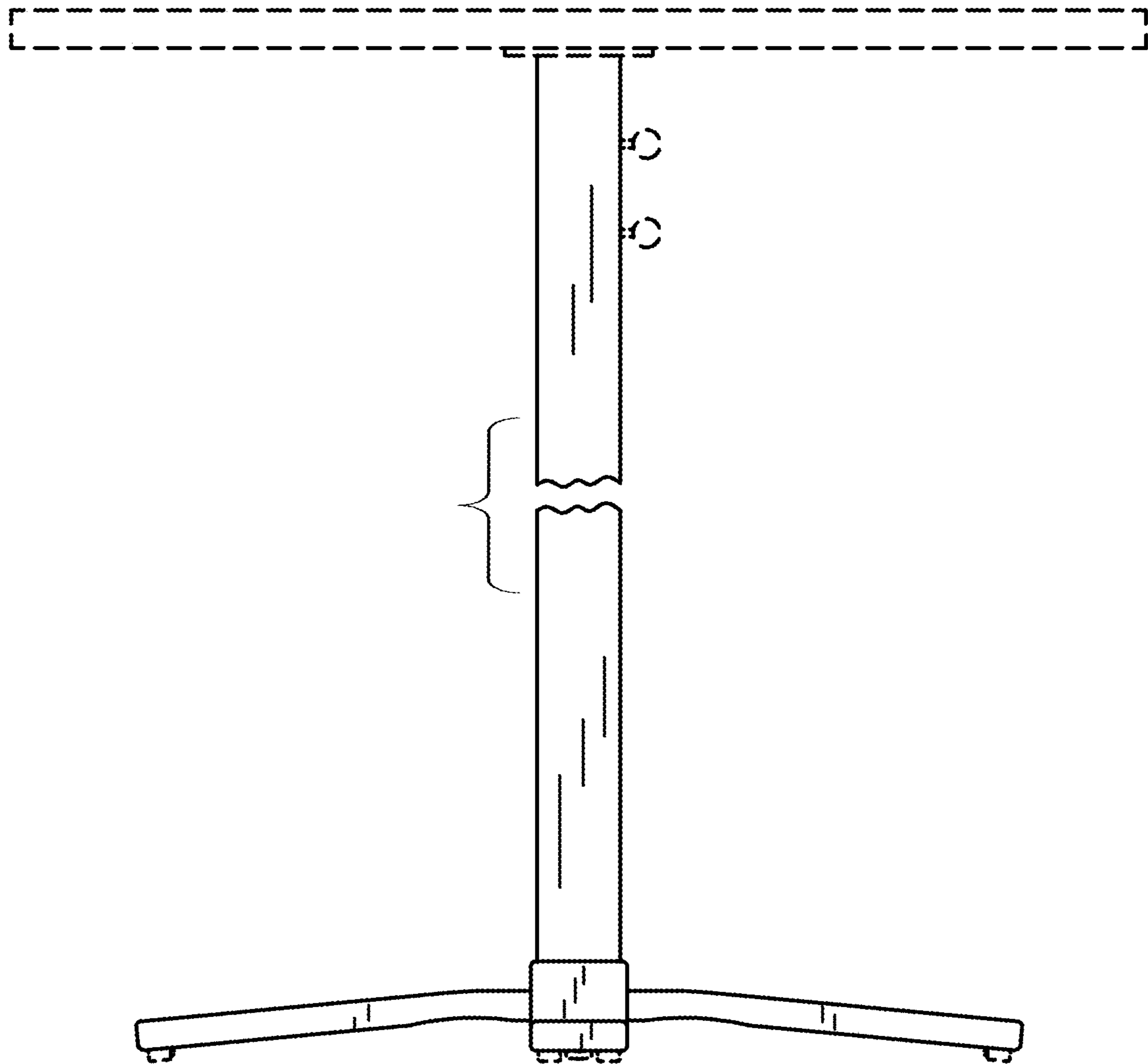


FIG. 4

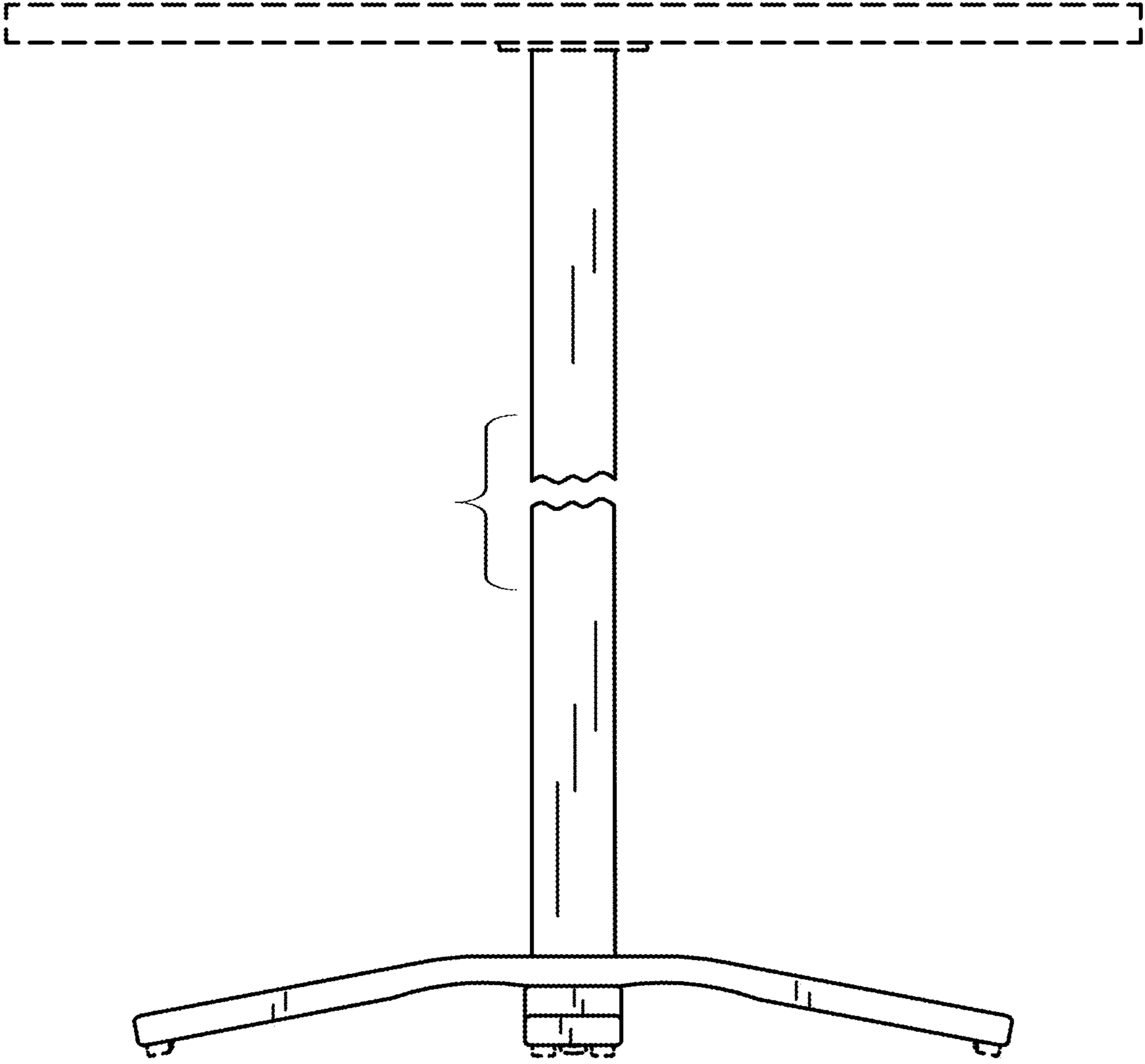


FIG. 5

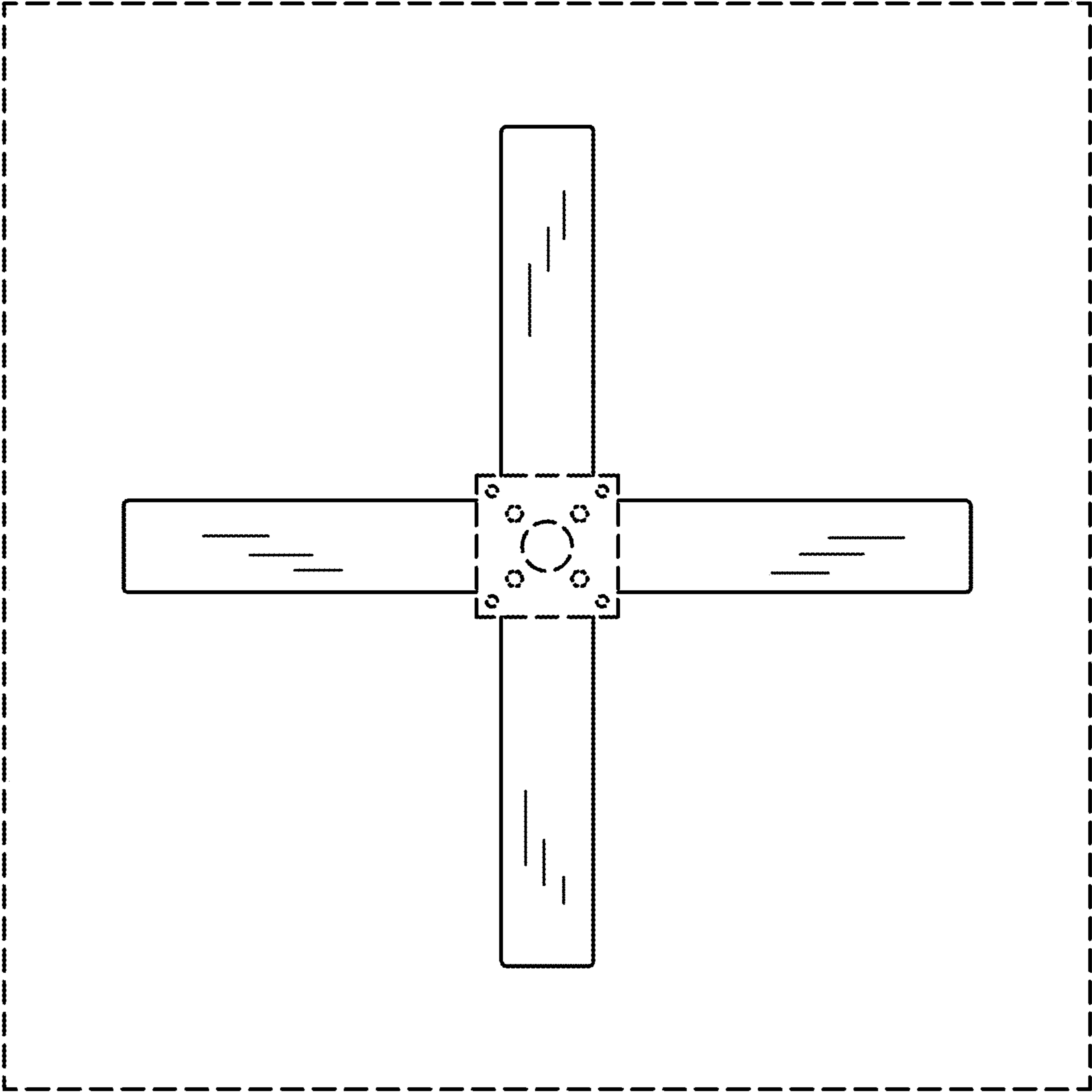


FIG. 6

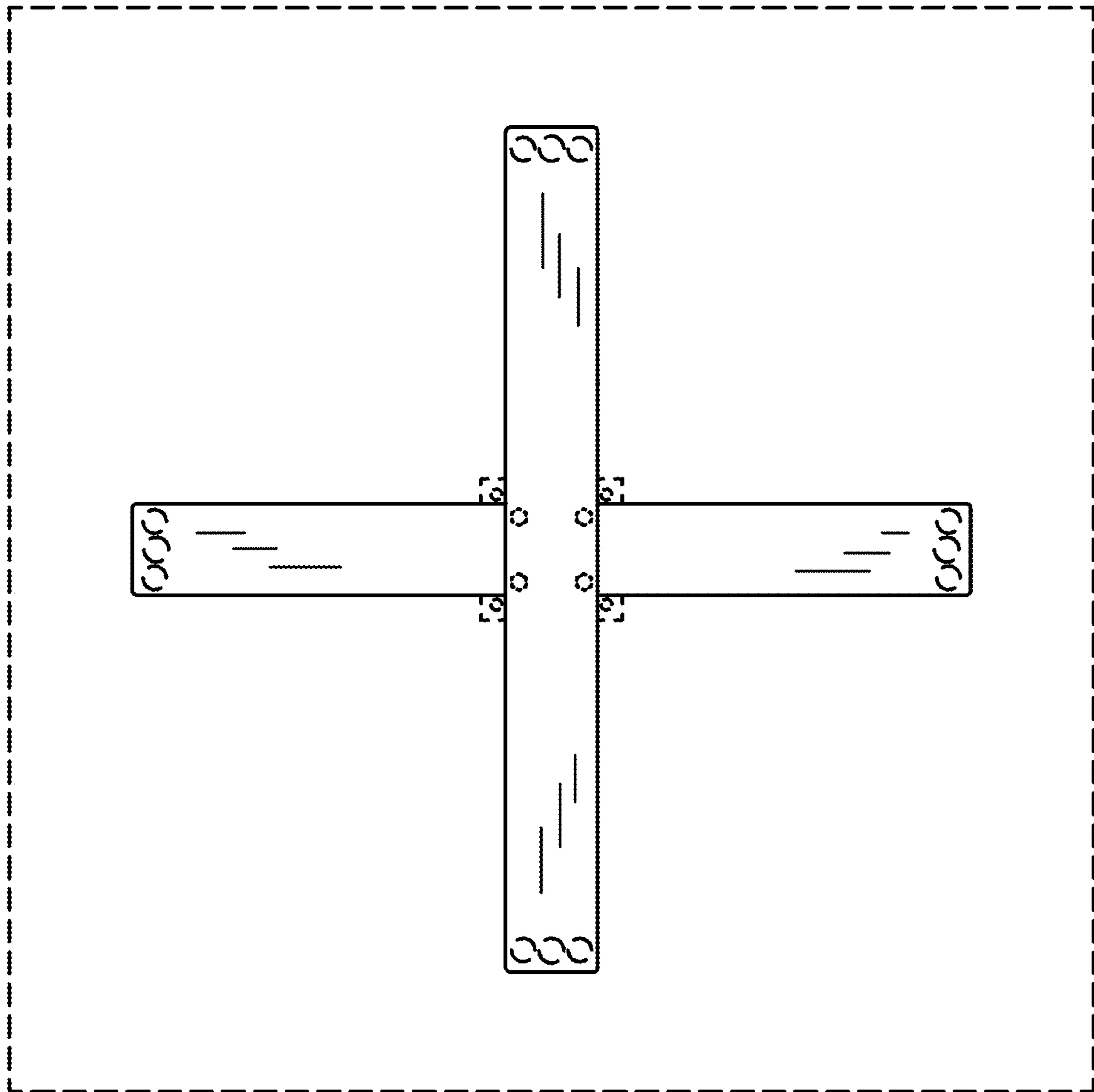


FIG. 7