



US00D957853S

(12) **United States Design Patent** (10) **Patent No.:** **US D957,853 S**
Lancelin et al. (45) **Date of Patent:** **** Jul. 19, 2022**

(54) **HANDBAG ORGANIZER**

(71) Applicants: **Malaysia M. Lancelin**, Houston, TX
(US); **Ellis Hendricks**, Houston, TX
(US); **Jessica Hendricks**, Houston, TX
(US)

(72) Inventors: **Malaysia M. Lancelin**, Houston, TX
(US); **Ellis Hendricks**, Houston, TX
(US); **Jessica Hendricks**, Houston, TX
(US)

(**) Term: **15 Years**

(21) Appl. No.: **29/757,544**

(22) Filed: **Nov. 6, 2020**

(51) **LOC (13) Cl.** **06-06**

(52) **U.S. Cl.**
USPC **D6/682.6**

(58) **Field of Classification Search**
USPC ... D6/315-328, 552, 672, 675, 675.1, 675.3,
D6/675.4, 677.1, 677.3, 678, 678.1, 681,
D6/681.1, 681.2, 681.3, 682, 682.3,
D6/682.4, 682.5, 682.6; D7/707
CPC A47F 5/02; A47F 7/06; A47F 5/04; A47F
7/08; A47F 7/02; A47F 5/05; A47F 7/12;
A47F 5/025; A47F 5/0876; A47F 5/06;
A47F 5/0884; A47F 7/0028; A47F 7/26;
A47F 5/0037; A47F 7/00

See application file for complete search history.

(56) **References Cited**

U.S. PATENT DOCUMENTS

1,137,900	A *	5/1915	Reichert	A47F 5/02 211/163
D85,303	S *	10/1931	Peterson	D6/677.2
D222,567	S *	11/1971	Cohen	D6/680
D431,395	S *	10/2000	Malapane	D6/682.6
D722,461	S	2/2015	Braun		
D761,601	S *	7/2016	Simmons	D6/681
D820,621	S	6/2018	Dennison		
D854,863	S	7/2019	Majer		
10,784,694	B1 *	9/2020	Gray	A47B 45/00

OTHER PUBLICATIONS

Tripair Brown Metal Display Purse Tree and Jewelry Organizer—
74" Spiral Coat Hanger/Bag Display/Garment Rack Stand with 15
Hooks. Product Listing [online]. © 1996-2020, Amazon.com, Inc.
[retrieved on Mar. 16, 2016]. Retrieved from the Internet: <URL:
https://www.amazon.com/Spiral-Purse-Tree-Retail-Display/dp/
B004KAX5US>.

Handbag Display Rack For Bag Store Fixture Design. Product
Listing [online]. Copyright © Boutique Store Design [retrieved on
Mar. 16, 2016]. Retrieved from the Internet: <URL: https://
boutiquestoredesign.com/product/handbag-display-rack-for-bag-
store-fixture-design>.

4-Tier Chrome Wire Spinner Rack. Product Listing [online]. Copy-
right © 2020 Store Supply Warehouse, LLC. [retriever on Mar. 16,
2016], Retrieved from the Internet: <URL: https://www.storesupply.
com/pc-12690-850-spinner-rack-4-tier-wire-63-12h-60108.aspx?
adgroupid=62544364292&product_id=12690&targetid=pla-
325936486764&gclid=
CjwKCAjwmKLzBRBeEiwACCVihvHYe7BB97G8C4mvBtXn-
w24rGGG_jfZktYtZPB5i-ms_5ZeZmFi2hoCS50QAvD_BwE>.

* cited by examiner

Primary Examiner — Lauren R Calve
(74) *Attorney, Agent, or Firm* — Cramer Patent & Design,
PLLC; Aaron R. Cramer

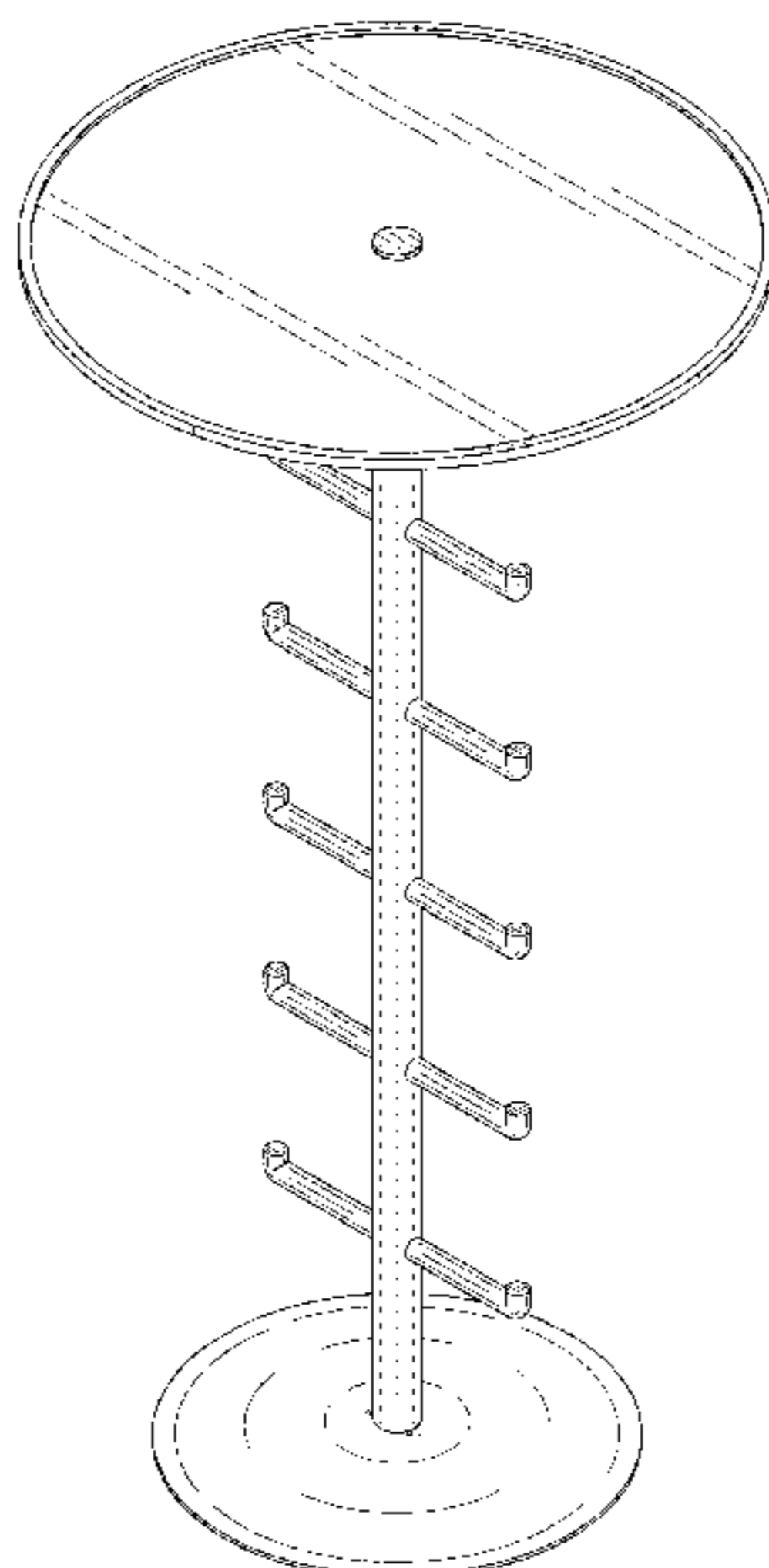
(57) **CLAIM**

The ornamental design for a handbag organizer, as shown
and described.

DESCRIPTION

FIG. 1 is a perspective top front right view of a handbag
organizer, showing our new design;
FIG. 2 is a perspective top rear left view thereof;
FIG. 3 is a front elevation view thereof;
FIG. 4 is a rear elevation view thereof;
FIG. 5 is a right side elevation view thereof;
FIG. 6 is a left side elevation view thereof;
FIG. 7 is a top plan view thereof; and,
FIG. 8 is a bottom plan view thereof.

1 Claim, 7 Drawing Sheets



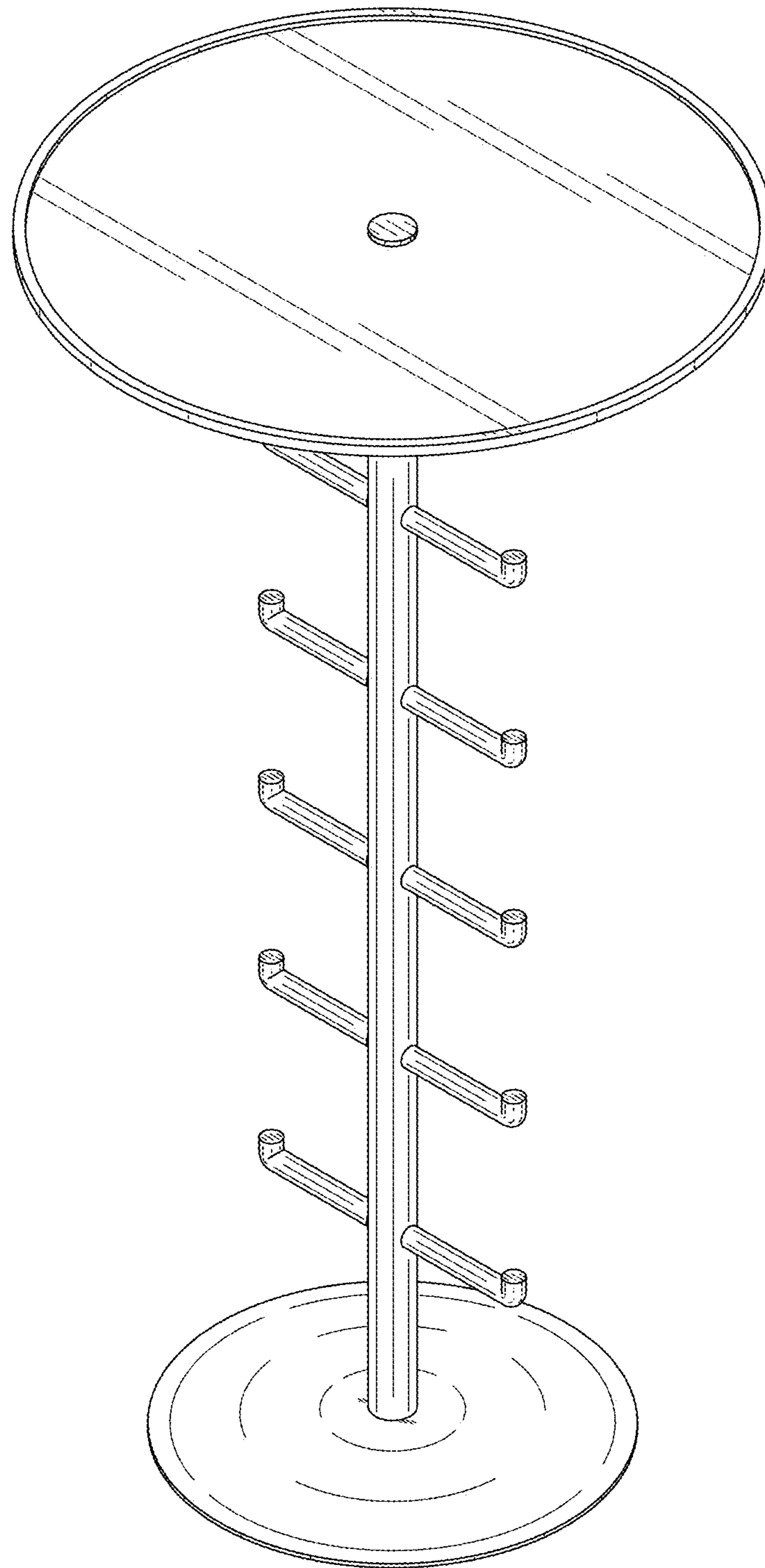


FIG. 1

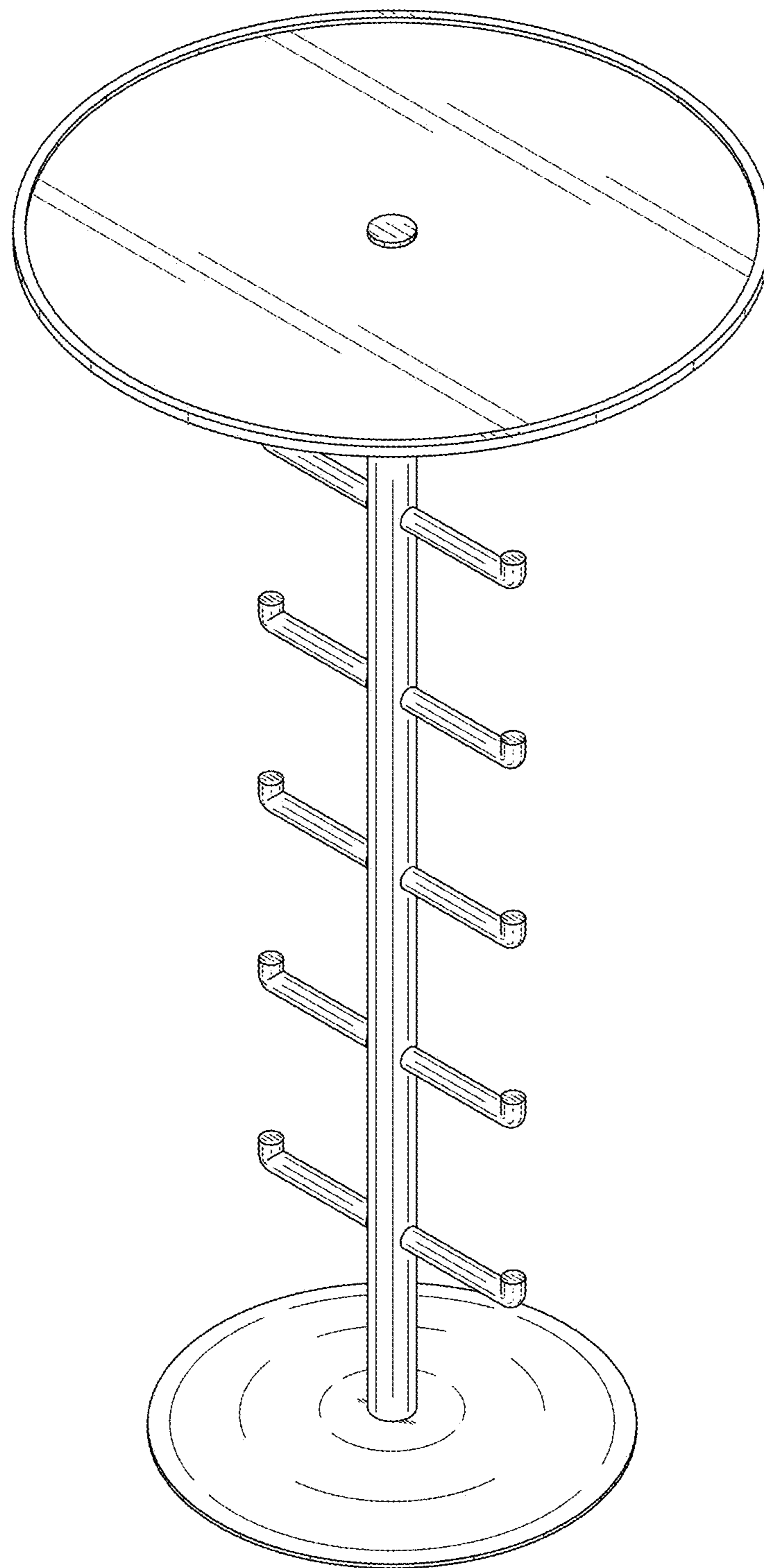


FIG. 2

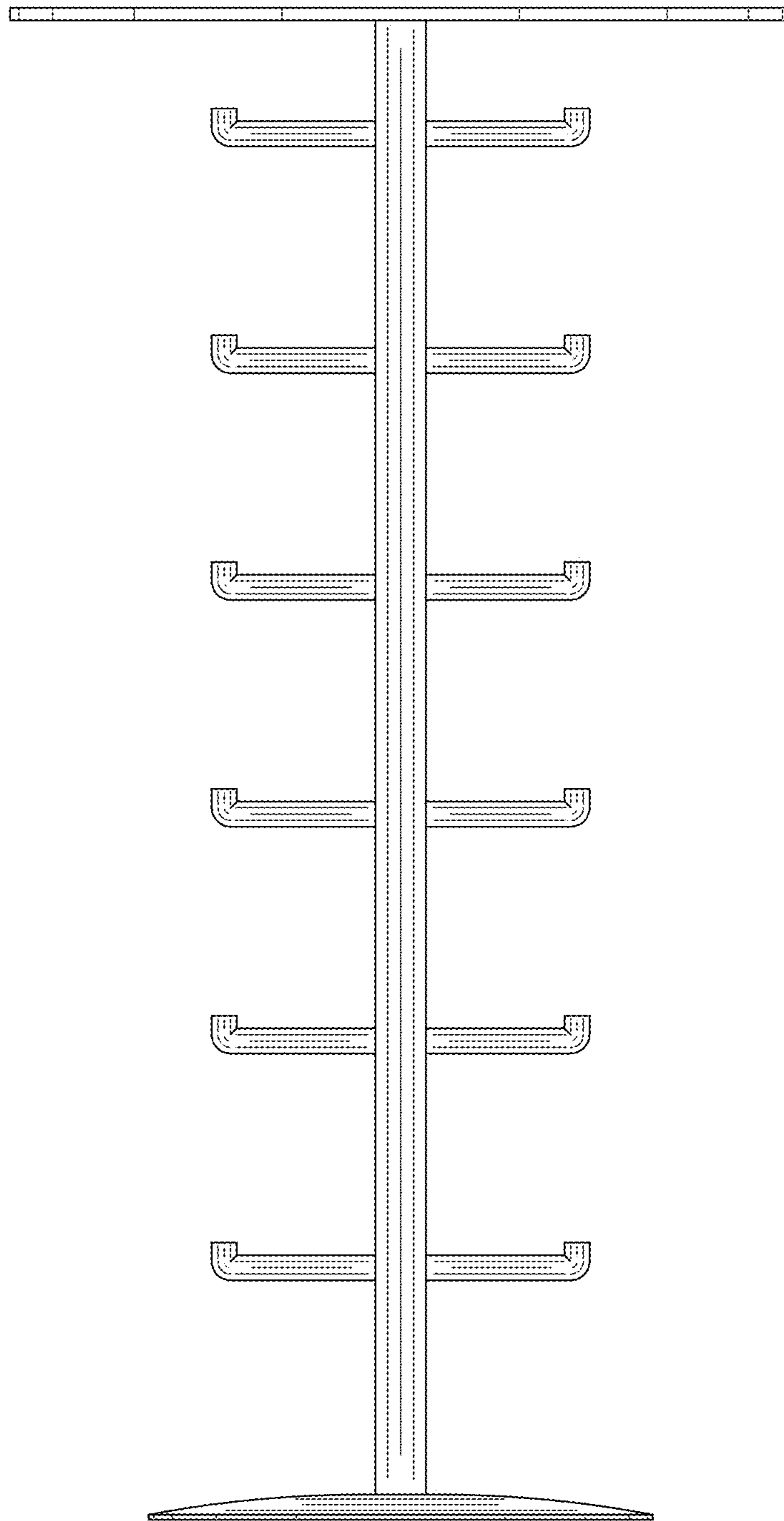


FIG. 3

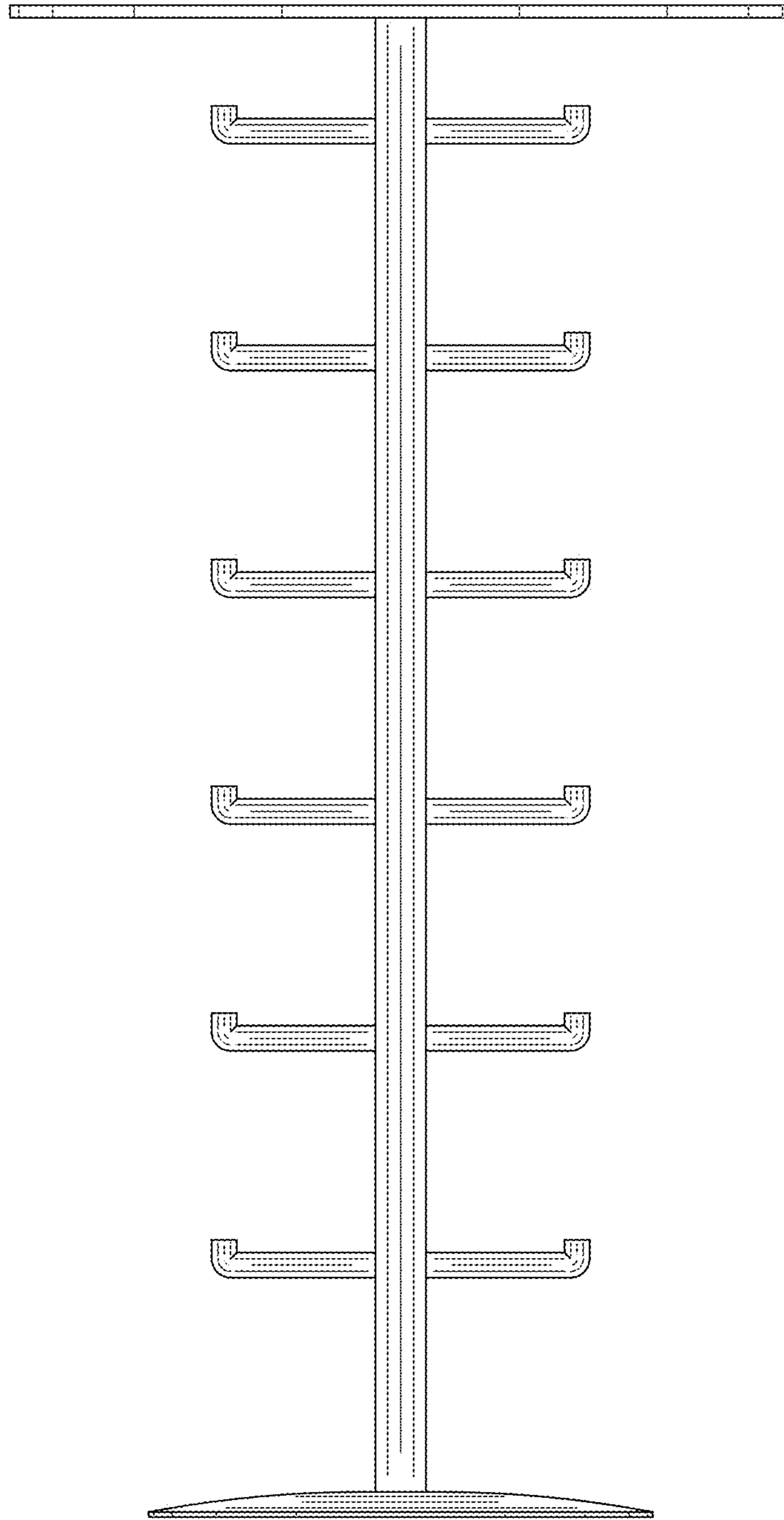


FIG. 4

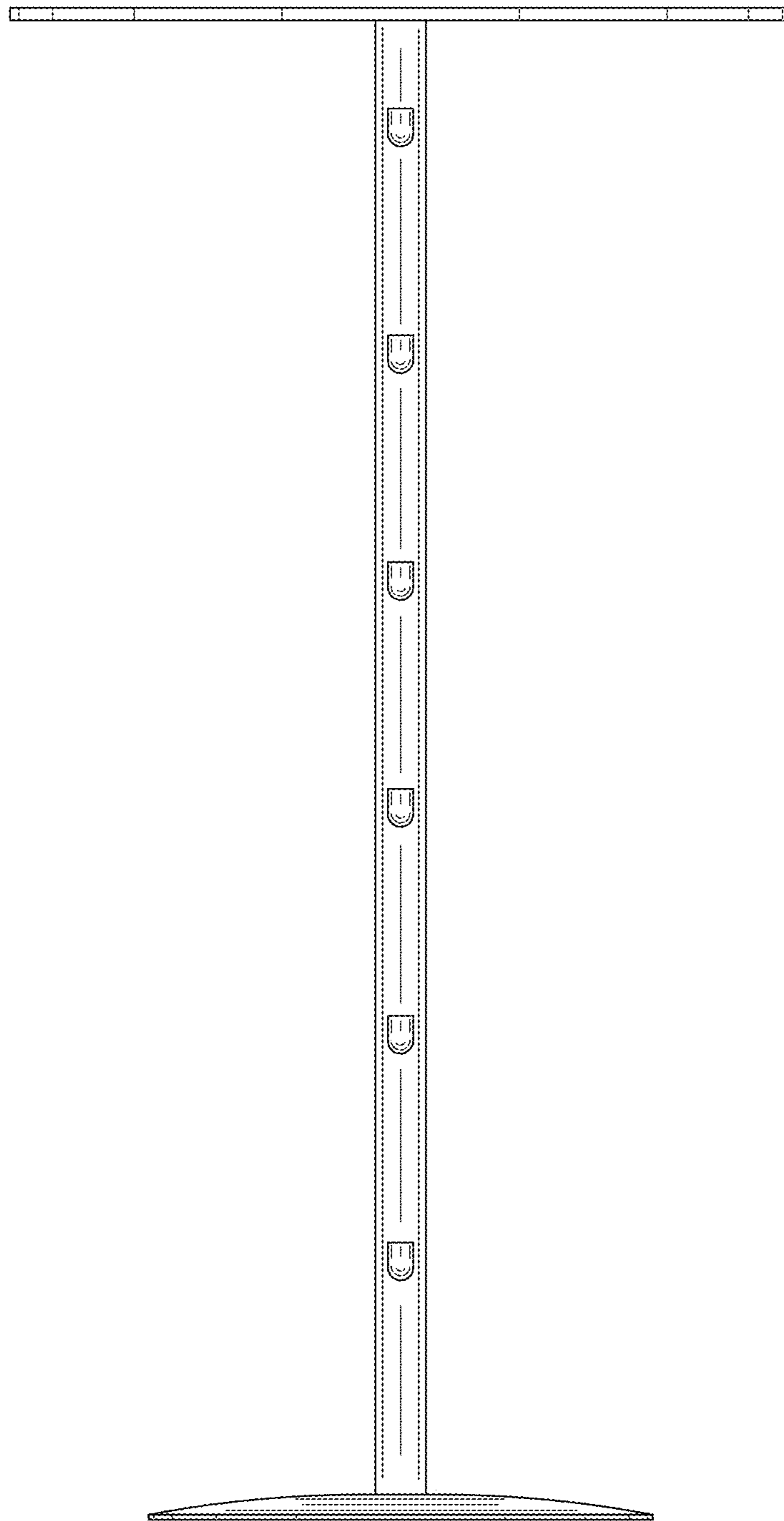


FIG. 5

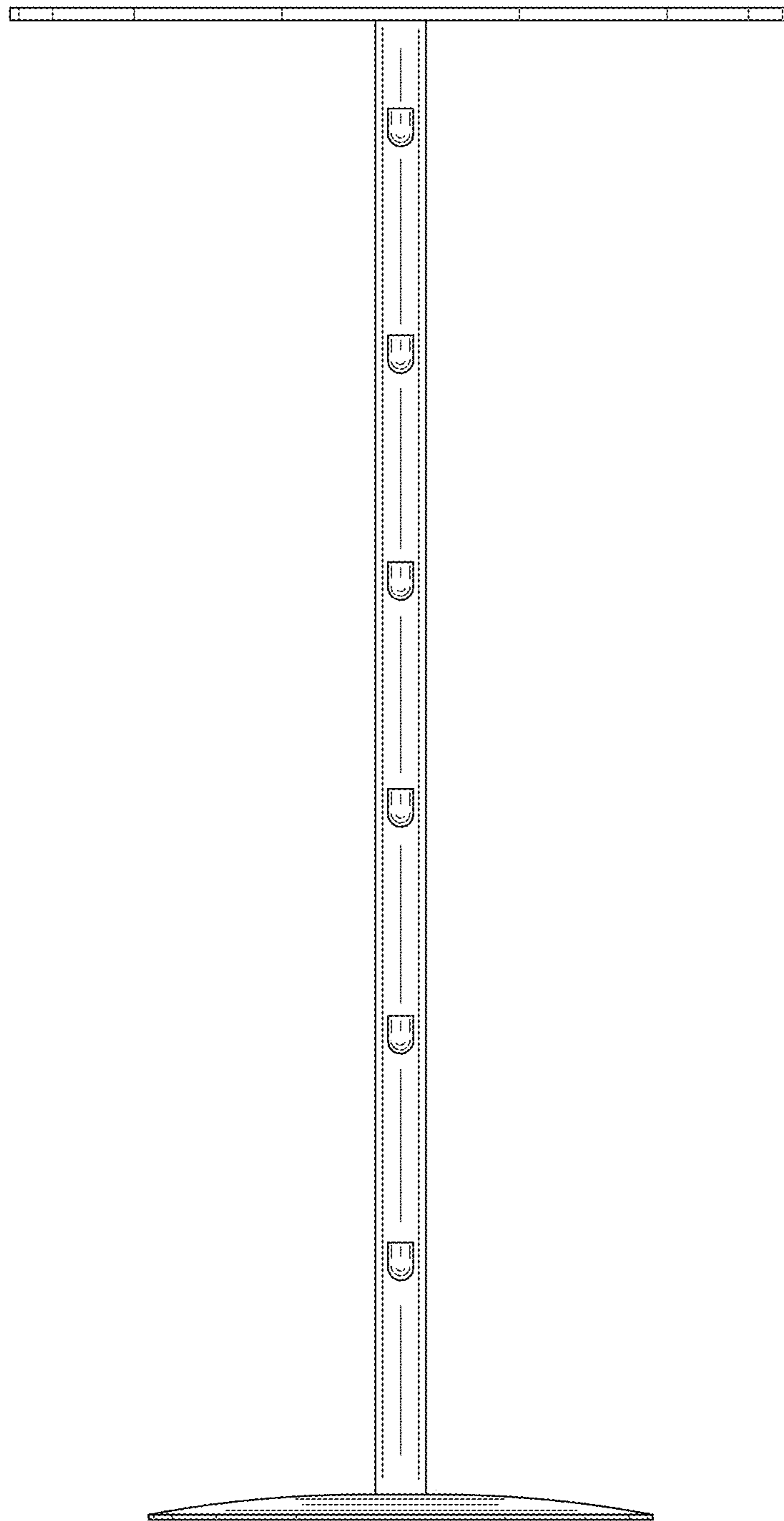


FIG. 6

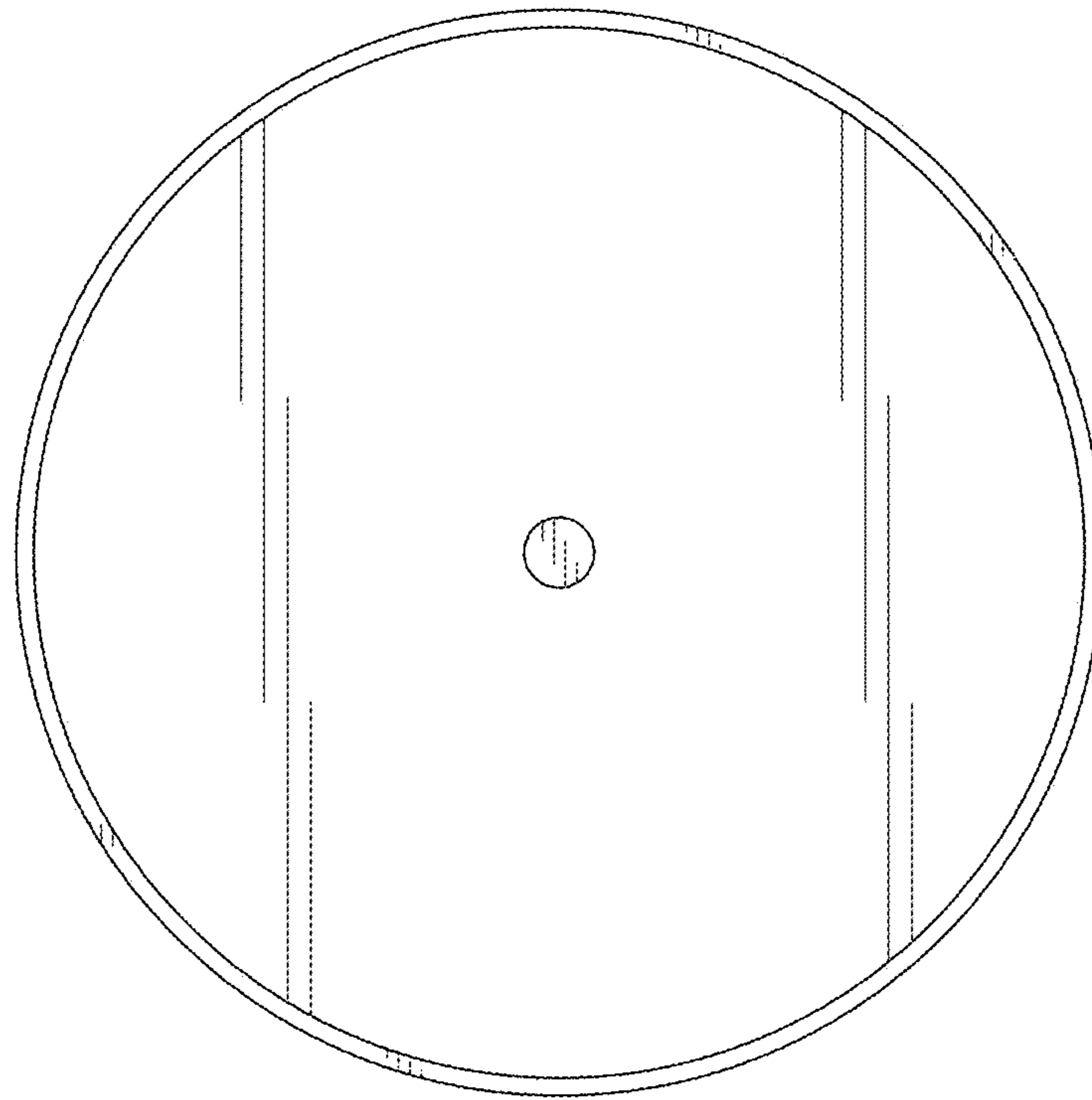


FIG. 7

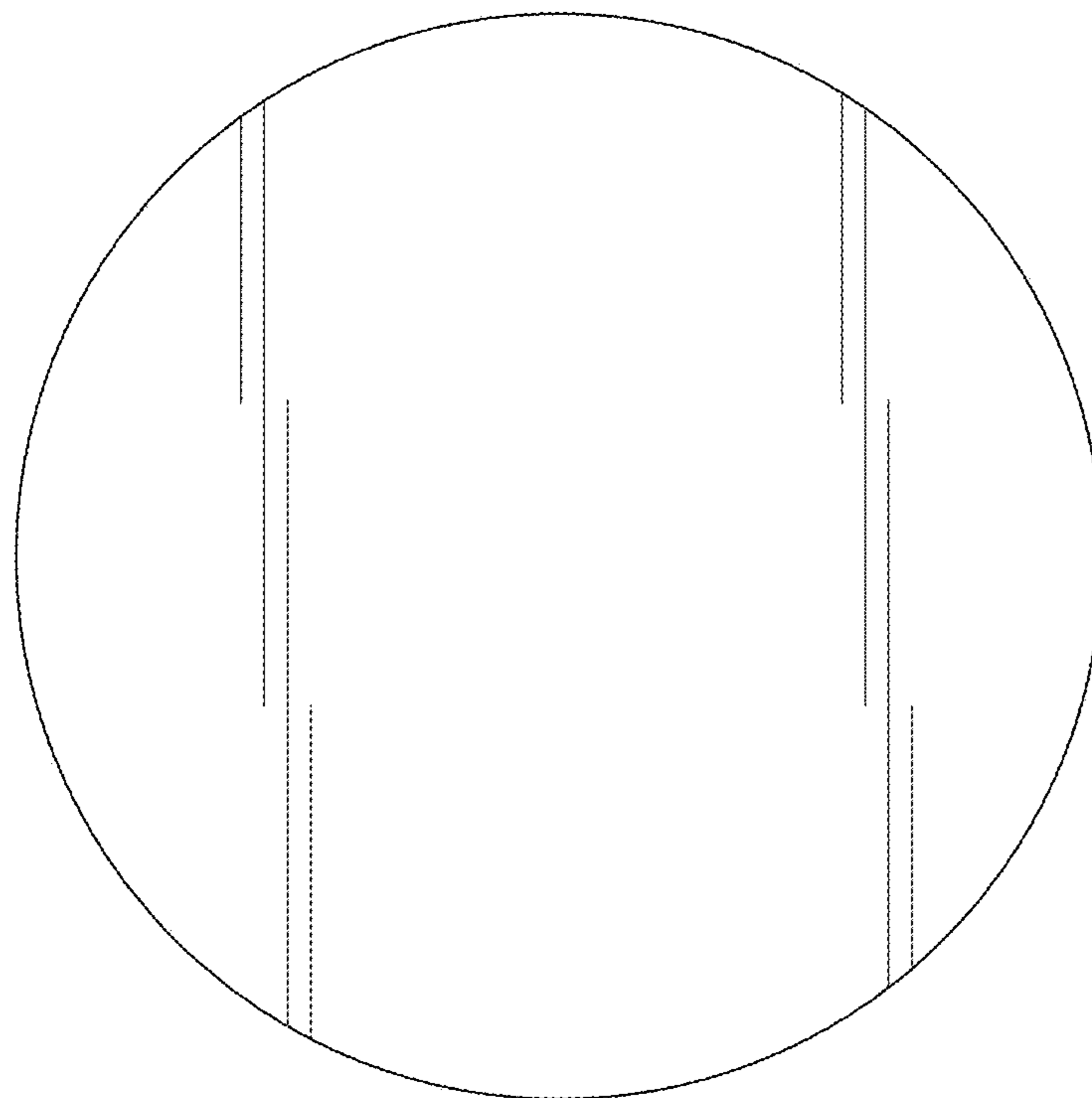


FIG. 8