



US00D957852S

(12) **United States Design Patent** (10) **Patent No.:** **US D957,852 S**  
**Stelmarski** (45) **Date of Patent:** **\*\* Jul. 19, 2022**

- (54) **SHELF**
- (71) Applicant: **InterDesign, Inc.**, Solon, OH (US)
- (72) Inventor: **Brian Stelmarski**, Hudson, OH (US)
- (73) Assignee: **InterDesign, Inc.**, Solon, OH (US)
- (\*\*) Term: **15 Years**
- (21) Appl. No.: **29/795,490**
- (22) Filed: **Jun. 18, 2021**

D719,383 S	*	12/2014	Goodman	.....	D6/675.5
D723,309 S	*	3/2015	Goodman	.....	D6/675.5
D725,414 S	*	3/2015	Goodman	.....	D6/675.5
D742,664 S	*	11/2015	Hsu	.....	D6/675.5
D753,418 S	*	4/2016	Hsu	.....	D6/675
D771,984 S	*	11/2016	Tsai	.....	D6/675.5
D927,901 S	*	8/2021	Sabounjian	.....	D6/675.5
D927,902 S	*	8/2021	Sabounjian	.....	D6/675.5

(Continued)

**Related U.S. Application Data**

- (60) Continuation of application No. 29/754,469, filed on Oct. 12, 2020, now Pat. No. Des. 923,959, which is a continuation of application No. 29/733,290, filed on Apr. 30, 2020, now Pat. No. Des. 898,407, which is a division of application No. 29/705,659, filed on Sep. 13, 2019, which is a continuation of application No. 29/648,998, filed on May 25, 2018, now Pat. No. Des. 862,922.
- (51) **LOC (13) Cl.** ..... **06-06**
- (52) **U.S. Cl.**  
USPC ..... **D6/675**
- (58) **Field of Classification Search**  
USPC ..... D6/675, 672, 673, 675.1, 705, 512, 524,  
D6/552, 553, 572, 573, 574, 569  
CPC ..... A47B 47/00; A47B 47/02; A47B 47/021;  
A47B 73/00; A47B 73/002; A47B 3/00;  
A47B 3/002; A47F 5/00; A47F 5/0056  
See application file for complete search history.

**References Cited**

**U.S. PATENT DOCUMENTS**

D438,402 S	*	3/2001	Walsh	.....	D19/75
D457,752 S	*	5/2002	Wood	.....	D6/566
D690,965 S	*	10/2013	Goodman	.....	D6/675.5
D716,077 S	*	10/2014	Hsu	.....	D6/675

**OTHER PUBLICATIONS**

Amazon.com, mDesign Modern Metal Closet, Jun. 16, 2020, <https://www.amazon.com/mDesign-Countertop-Organizer-Bathrooms-Entryways/dp/B083QQCZ65/?th=1> (Year: 2020).\*

(Continued)

*Primary Examiner* — Nathan M Johnston

(74) *Attorney, Agent, or Firm* — Calfee, Halter & Griswold LLP

(57)

**CLAIM**

I claim the ornamental design for a shelf, as shown and described.

**DESCRIPTION**

FIG. 1 is a front/right/top perspective view of a shelf (a front/left/top perspective view would be a mirror image thereof);

FIG. 2 is a rear/right/bottom perspective view thereof (a rear/left/bottom perspective view would be a mirror image thereof);

FIG. 3 is a top plan view thereof;

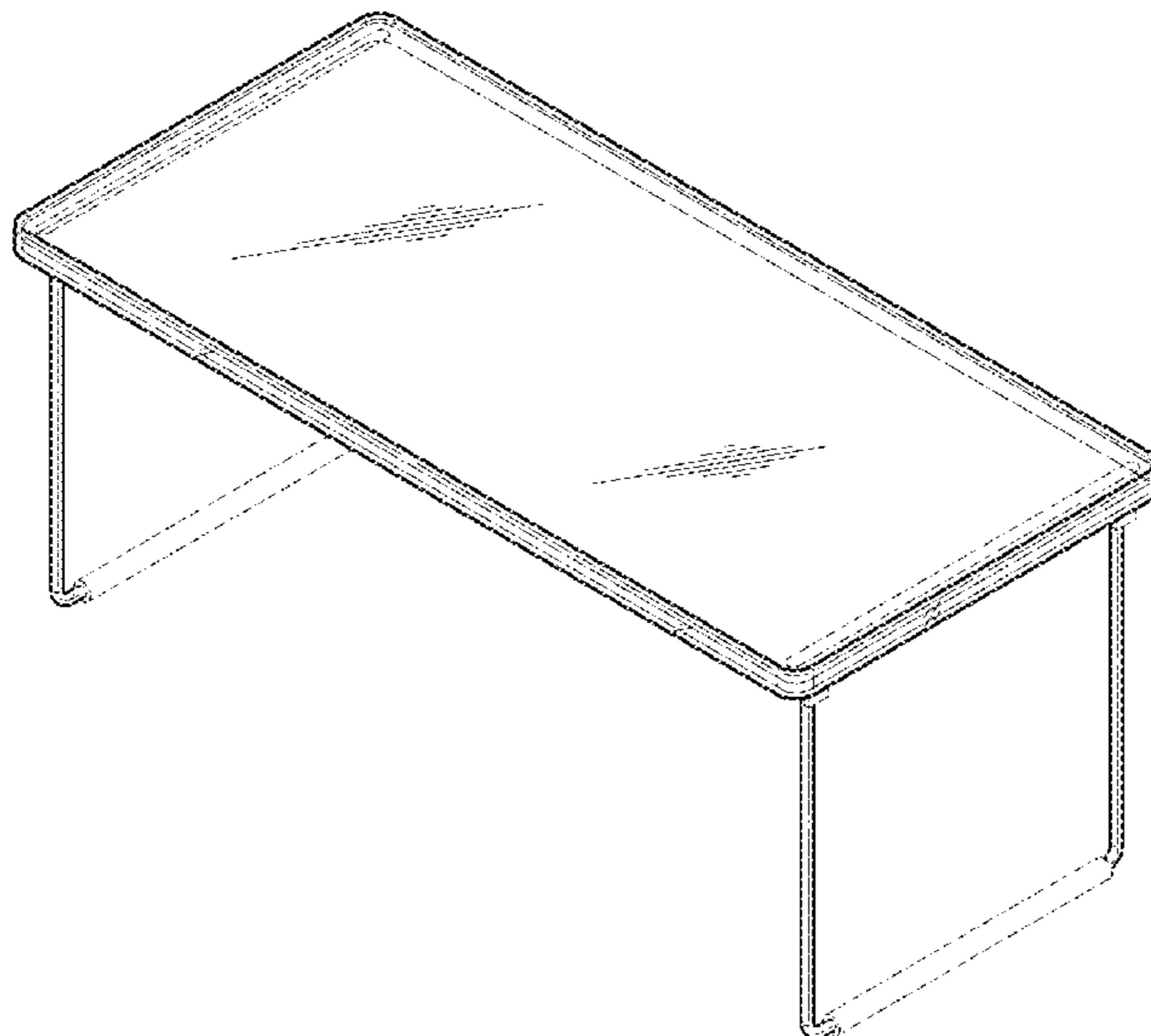
FIG. 4 is a bottom plan view thereof;

FIG. 5 is a front elevational view thereof (a rear elevational view would be a mirror image thereof); and,

FIG. 6 is a right side elevational view thereof (a left side elevational view would be a mirror image thereof).

The broken lines depict portions of the shelf that form no part of the claimed design.

**1 Claim, 4 Drawing Sheets**



(56)

**References Cited**

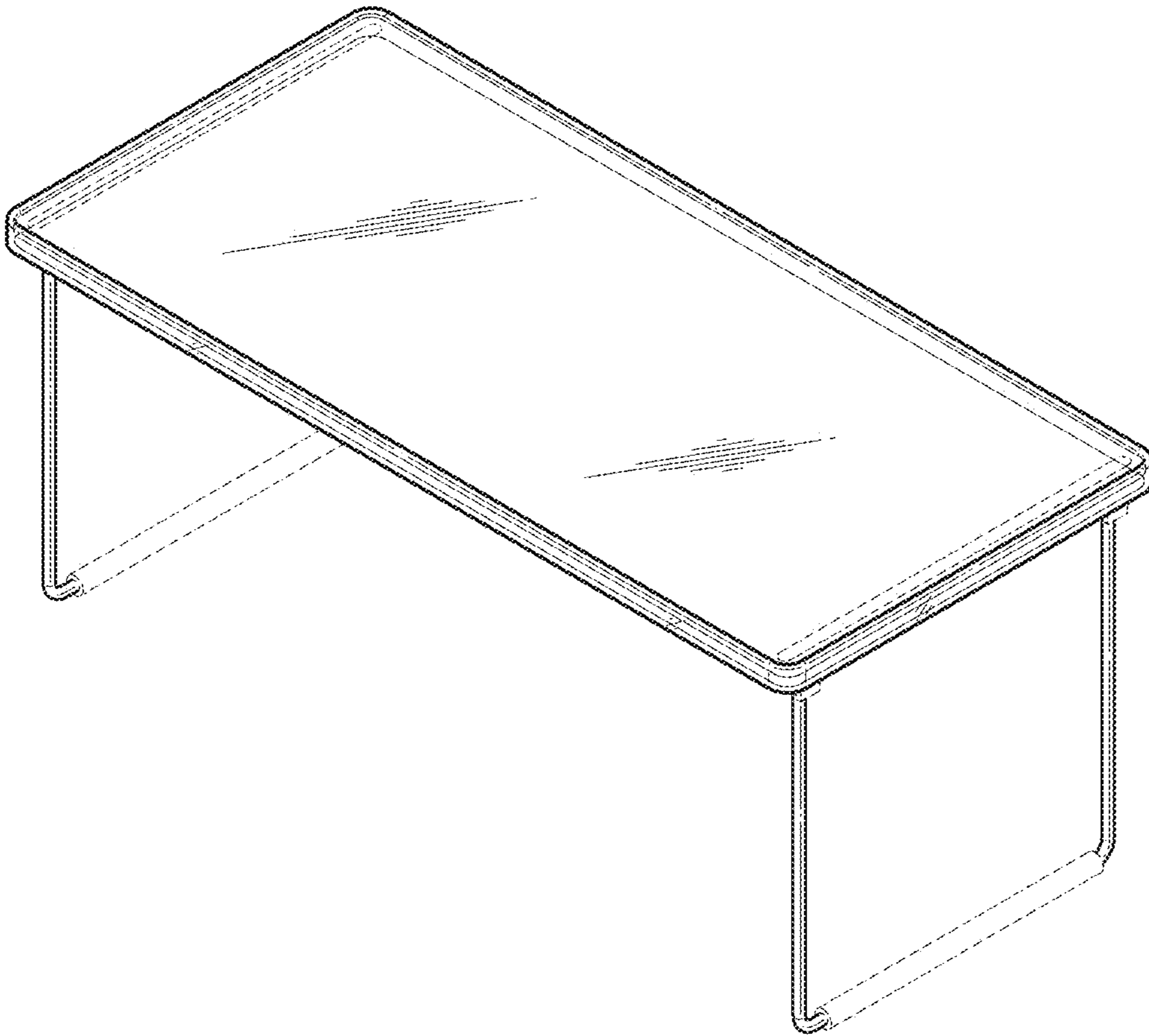
U.S. PATENT DOCUMENTS

D932,814 S \* 10/2021 DeJesus ..... D6/675

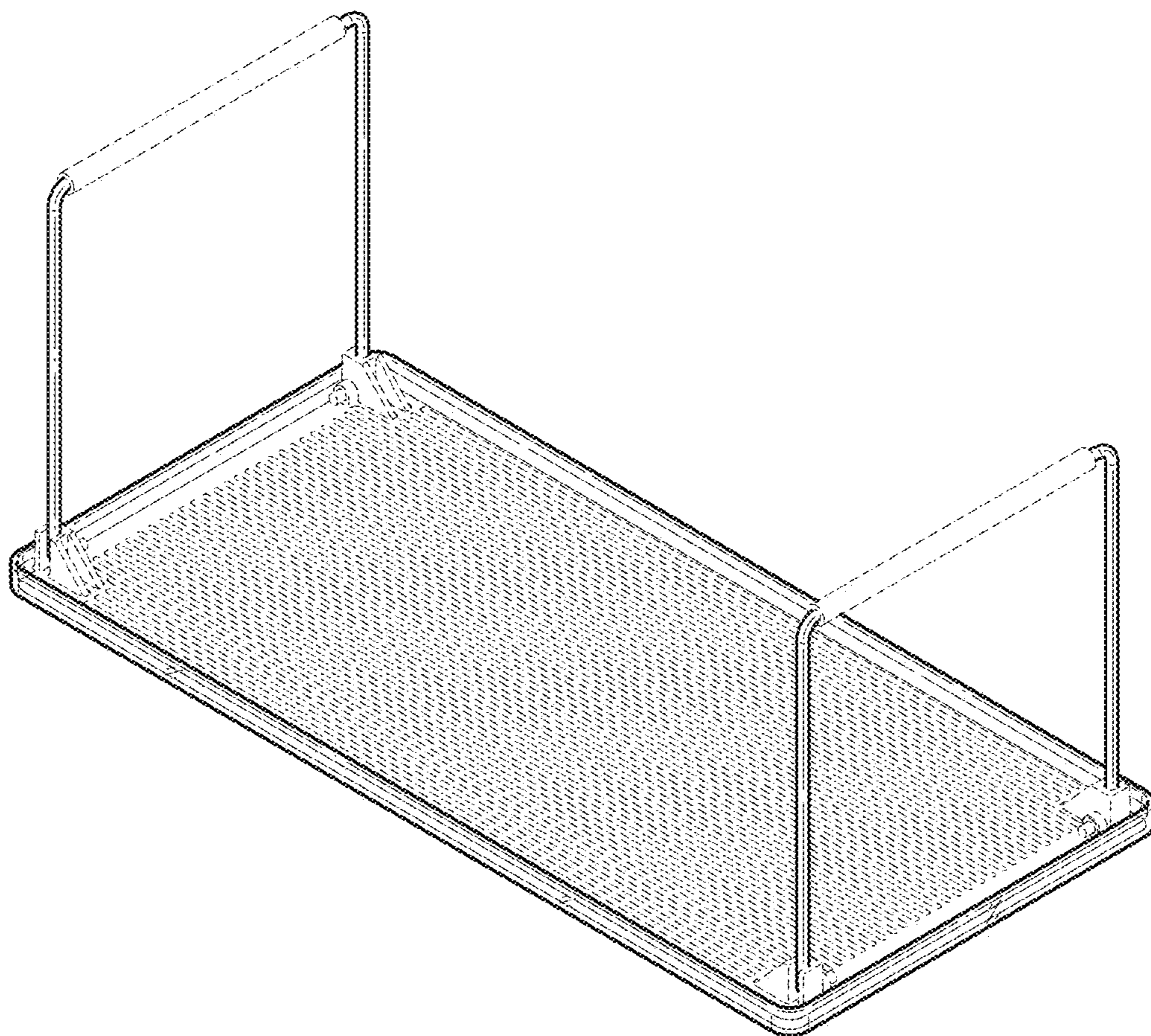
OTHER PUBLICATIONS

Clear Cabinet Shelf (Medium)—Made Smart (2016 Catalog, Item #29071)—<https://web.archive.org/vweb/20160720212835/http://madesmart.com/products/?collection=kitchen-cabinet>—Wayback Machine Archived Date Jul. 20, 2016; Date Accessed: Jan. 27, 2022.  
Collapsible Cabinet Shelf (Medium)—Made Smart (2016 Catalog, Item #29070)—<https://web.archive.org/web/20160720212835/http://madesmart.com/products/?collection=kitchen-cabinet>—Wayback Machine Archived Date Jul. 20, 2016; Date Accessed: Jan. 27, 2022.

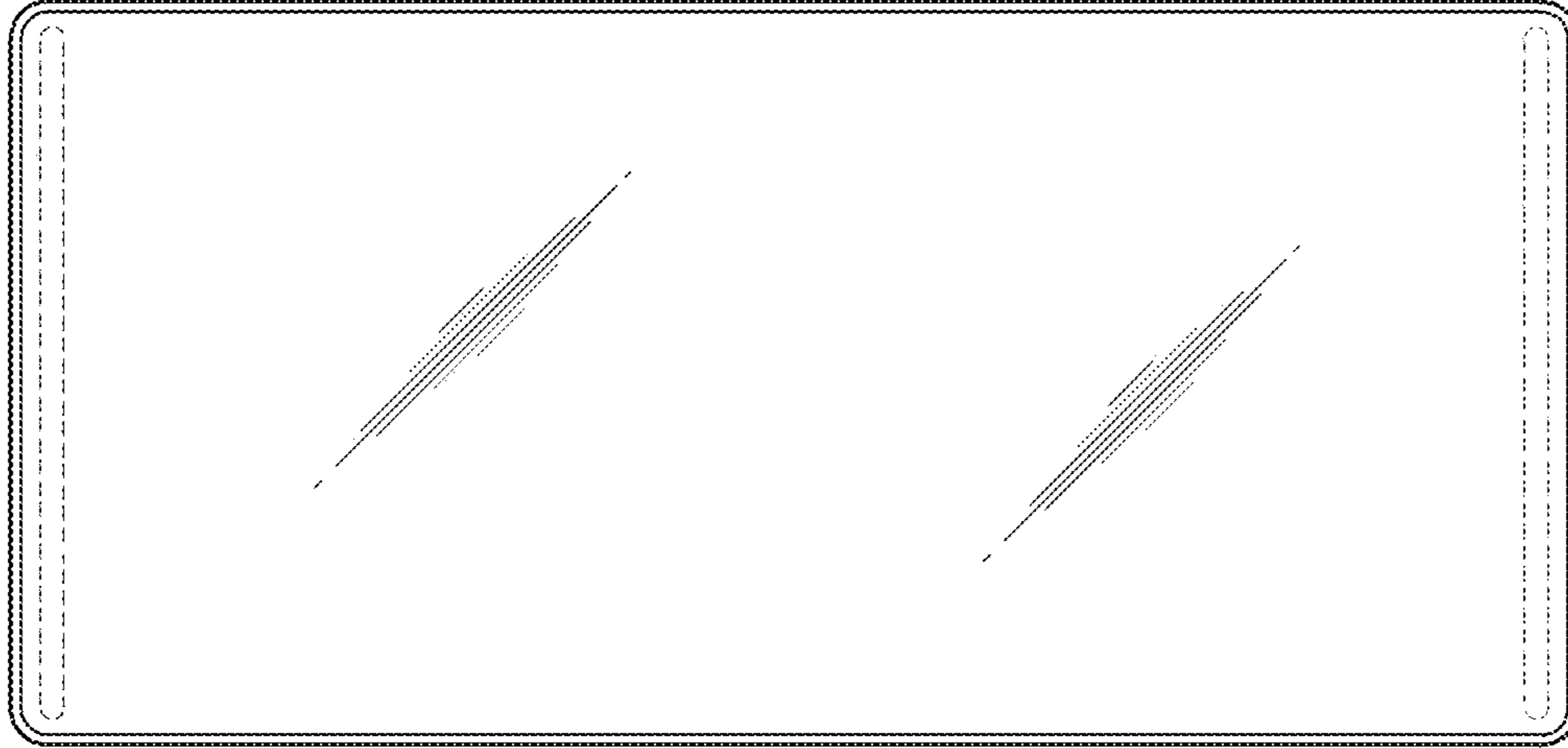
\* cited by examiner



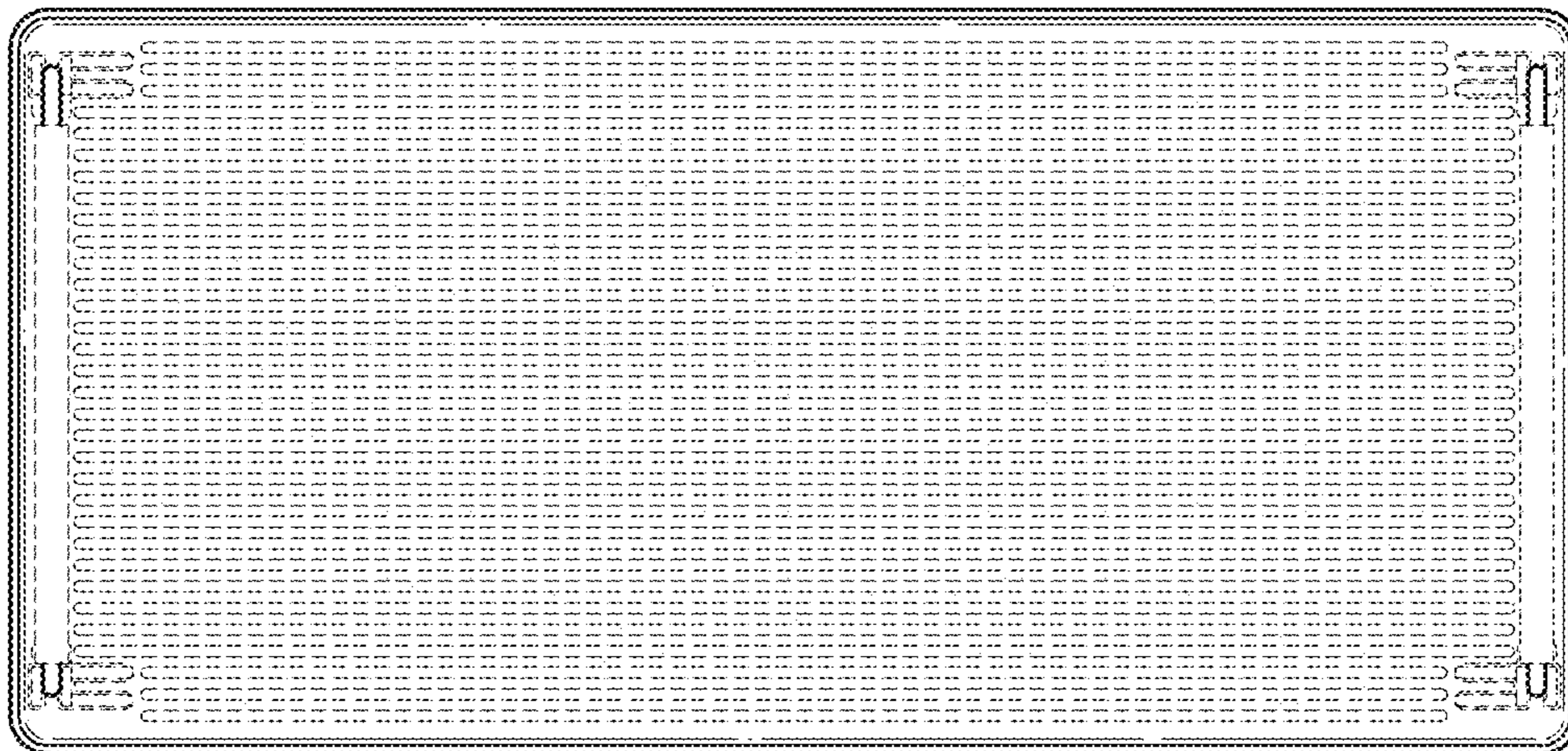
**FIG. 1**



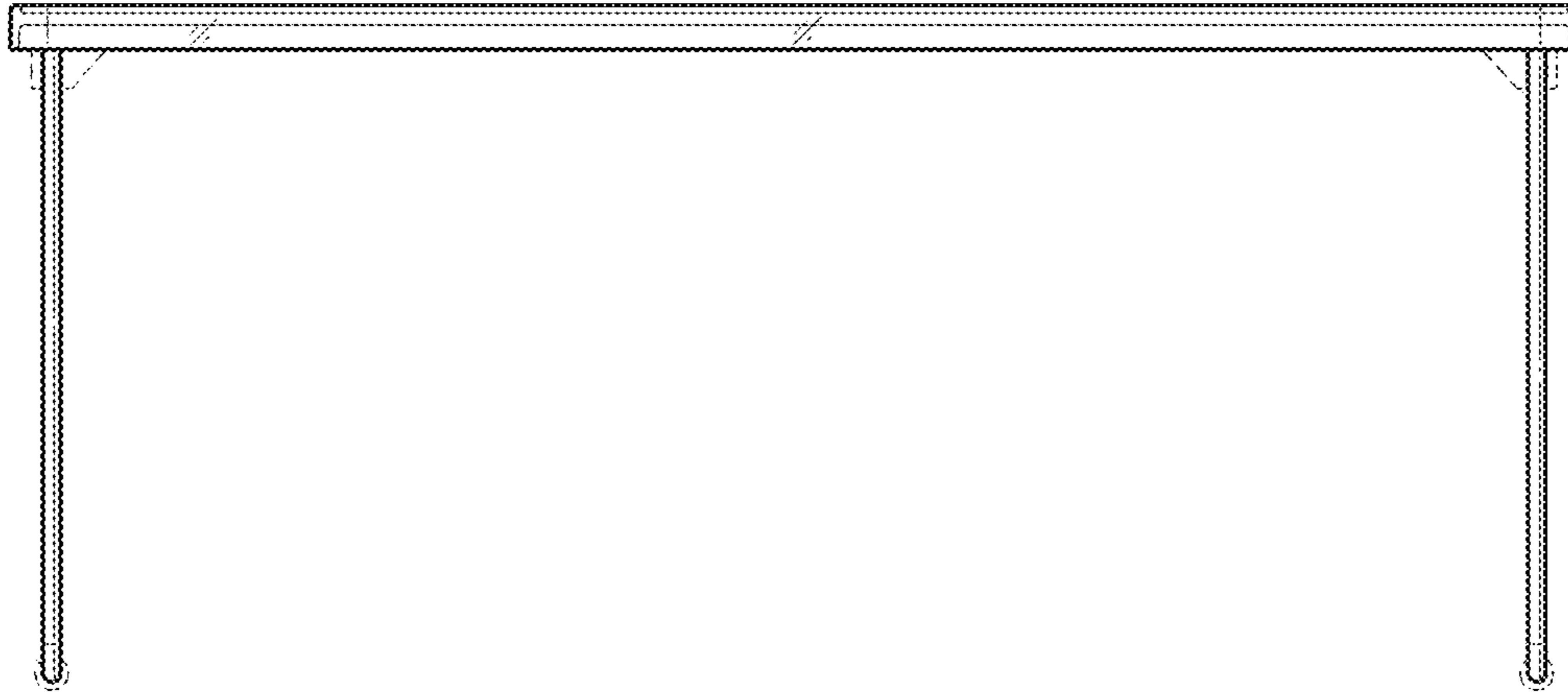
**FIG. 2**



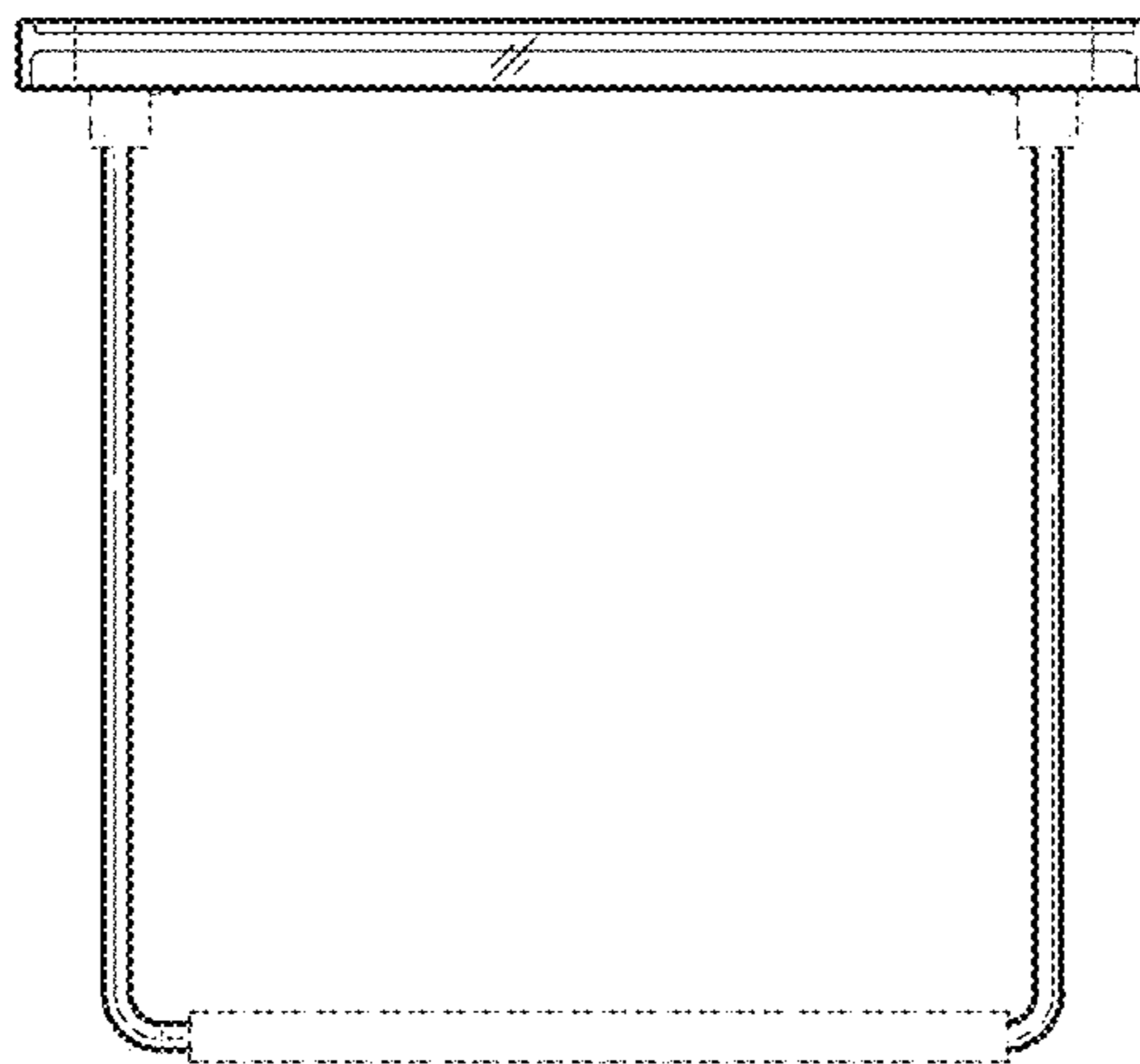
**FIG. 3**



**FIG. 4**



**FIG. 5**



**FIG. 6**