



US00D957839S

(12) **United States Design Patent** (10) **Patent No.:** **US D957,839 S**  
**Su** (45) **Date of Patent:** **\*\* Jul. 19, 2022**

(54) **CHAIR BACKREST**  
(71) Applicant: **Tung-Hua Su**, Tainan (TW)  
(72) Inventor: **Tung-Hua Su**, Tainan (TW)  
(\*\*) Term: **15 Years**

D687,660 S \* 8/2013 Hsuan-Chin ..... D6/366  
D691,407 S \* 10/2013 Nakamura ..... D6/366  
D772,592 S \* 11/2016 Su ..... D6/366  
D778,660 S \* 2/2017 Tsai ..... D6/716.4  
D917,217 S \* 4/2021 Tsai ..... D6/716.4  
D917,218 S \* 4/2021 Tsai ..... D6/716.4  
D935,253 S \* 11/2021 Wang ..... D6/716

(21) Appl. No.: **29/688,870**  
(22) Filed: **Apr. 25, 2019**  
(51) **LOC (13) Cl.** ..... **06-01**  
(52) **U.S. Cl.**  
USPC ..... **D6/366**

(58) **Field of Classification Search**  
USPC ..... D6/356, 364, 365, 366, 367, 379, 716,  
D6/716.4, 716.7, 360, 380; D21/521, 695  
CPC ..... A47C 1/03294; A47C 1/034; A47C 1/032;  
A47C 1/031; A47C 1/023; A47C 3/029;  
A47C 3/027; A47C 3/04; A47C 3/02;  
A47C 3/12; A47C 4/03; A47C 4/04;  
A47C 5/12; A47C 7/029; A47C 7/02;  
A47C 7/18; A47C 7/28; A47C 7/32;  
A47C 7/38; A47C 7/40; A47C 7/44;  
A47C 7/46; A47C 7/54; A47C 7/425;  
A47C 7/445; A47C 31/023; A47C 31/04;  
B60R 2/0284; B60R 2/062; B60R 22/001;  
B60R 22/24; B60R 22/28; B60R 22/58;  
B60R 22/64; B60R 22/68; B60R 22/80;  
B60R 22/99; B60R 22/245; B60R 22/643;  
B60R 22/646; B60R 22/665; B60R  
22/686; B60R 22/688; B60R 22/803;  
B60R 22/986; B60R 22/914; B60R  
22/995; F16B 2/08; F16B 45/00; Y10S  
297/01; A47D 13/10

See application file for complete search history.

(56) **References Cited**  
U.S. PATENT DOCUMENTS

D540,578 S \* 4/2007 Chen ..... D6/366  
D580,199 S \* 11/2008 Su ..... D6/366  
D596,885 S \* 7/2009 Su ..... D6/366  
D661,120 S \* 6/2012 Su ..... D6/379

**OTHER PUBLICATIONS**

“Office Chair” Jun. 14, 2020, amazon.com, site visited Mar. 28, 2022 [https://www.amazon.com/FelixKing-Ergonomic-Adjustable-Computer-Conference/dp/B088GMPZ3F/ref=sr\\_1\\_36?crd=2TKWQKZL5XF9W&keywords=ergonomic+office+chair+backrest&qid=1648508240&sprefix=ergonomic+office+chair+backrest%2Caps%2C255&sr=8-36](https://www.amazon.com/FelixKing-Ergonomic-Adjustable-Computer-Conference/dp/B088GMPZ3F/ref=sr_1_36?crd=2TKWQKZL5XF9W&keywords=ergonomic+office+chair+backrest&qid=1648508240&sprefix=ergonomic+office+chair+backrest%2Caps%2C255&sr=8-36) (Year: 2020).\*

“Office Ergonomic Task Chair” Oct. 22, 2020, wayfair.com, site visited Mar. 28, 2022 <<https://www.wayfair.com/furniture/pdp/inbox-zero-office-ergonomic-task-chair-w004140983.html>> (Year: 2020).\*

\* cited by examiner

*Primary Examiner* — Kevin K Rudzinski  
*Assistant Examiner* — Paul D Bohannon  
(74) *Attorney, Agent, or Firm* — Alan D. Kamrath; Karin L. Williams; Mayer & Williams PC

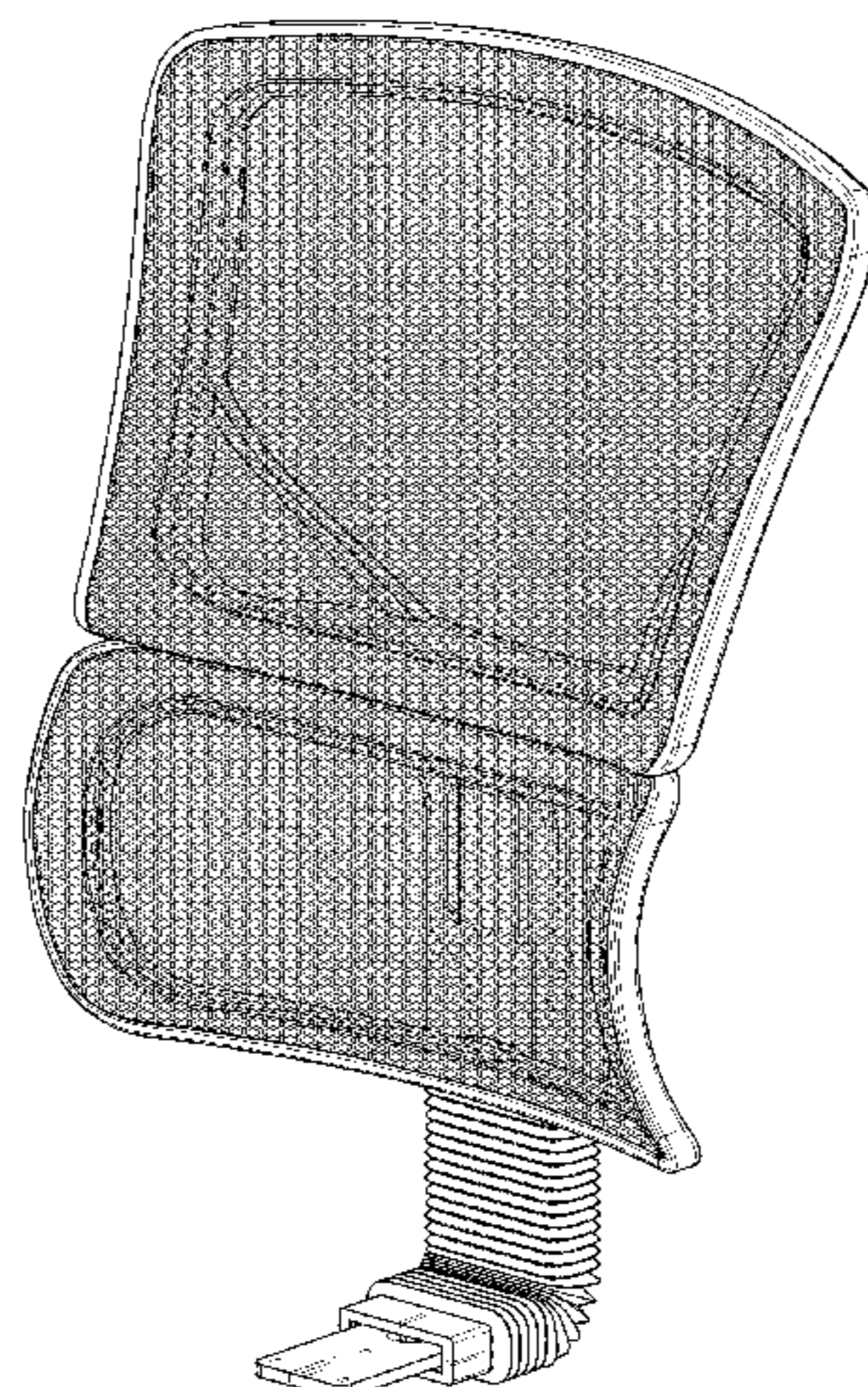
(57) **CLAIM**

The ornamental design for a chair backrest, as shown and described.

**DESCRIPTION**

FIG. 1 is a perspective view of the chair backrest showing my new design;  
FIG. 2 is a front elevation view thereof;  
FIG. 3 is a rear elevation view thereof;  
FIG. 4 is a left side elevation view thereof;  
FIG. 5 is a right side elevation view thereof;  
FIG. 6 is a top plan view thereof; and,  
FIG. 7 is a bottom plan view thereof.

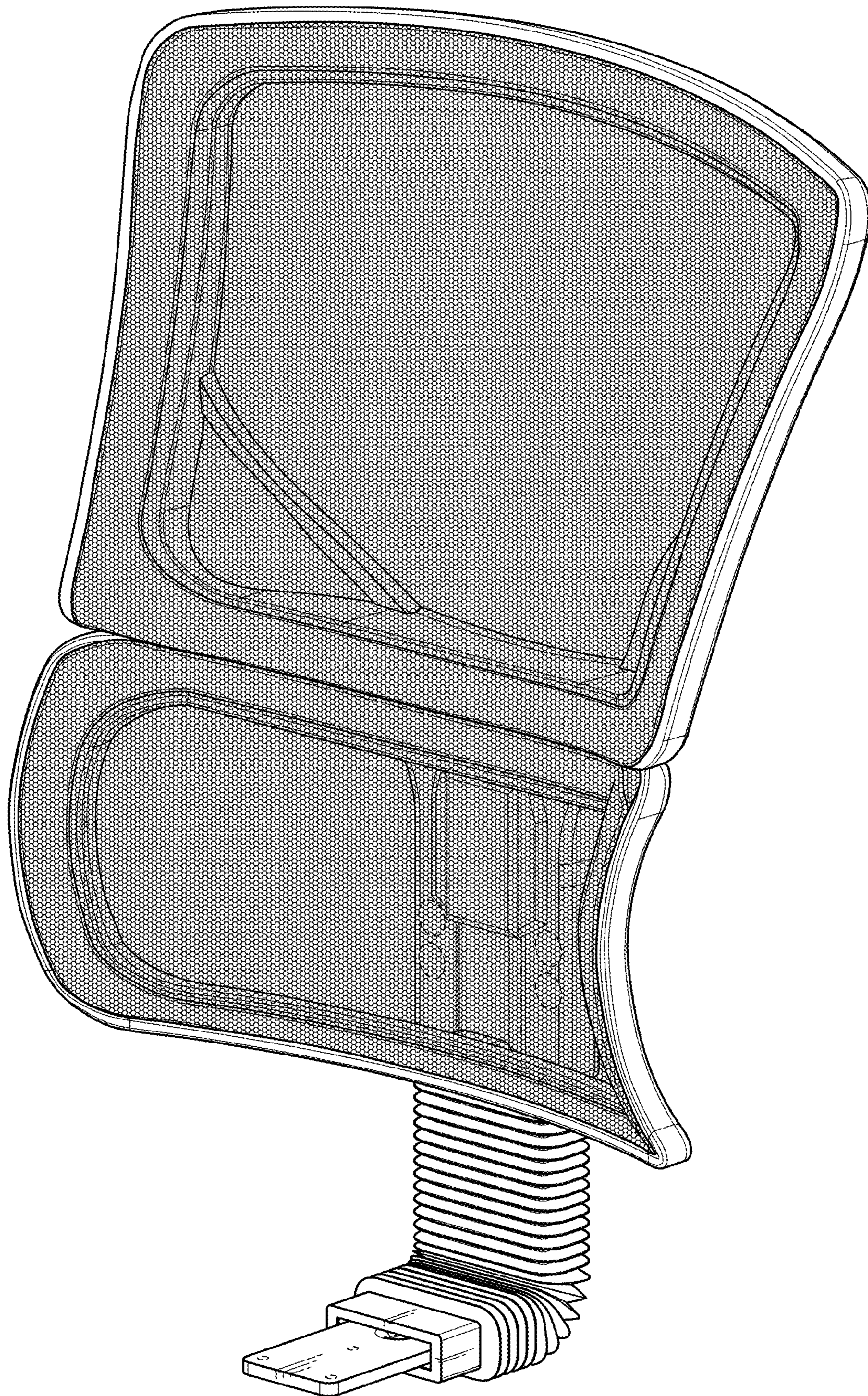
(Continued)



The broken lines shown in the drawings are for the purpose of illustrating portions of the chair backrest and form no part of the claimed design.

**1 Claim, 7 Drawing Sheets**





F I G . 1



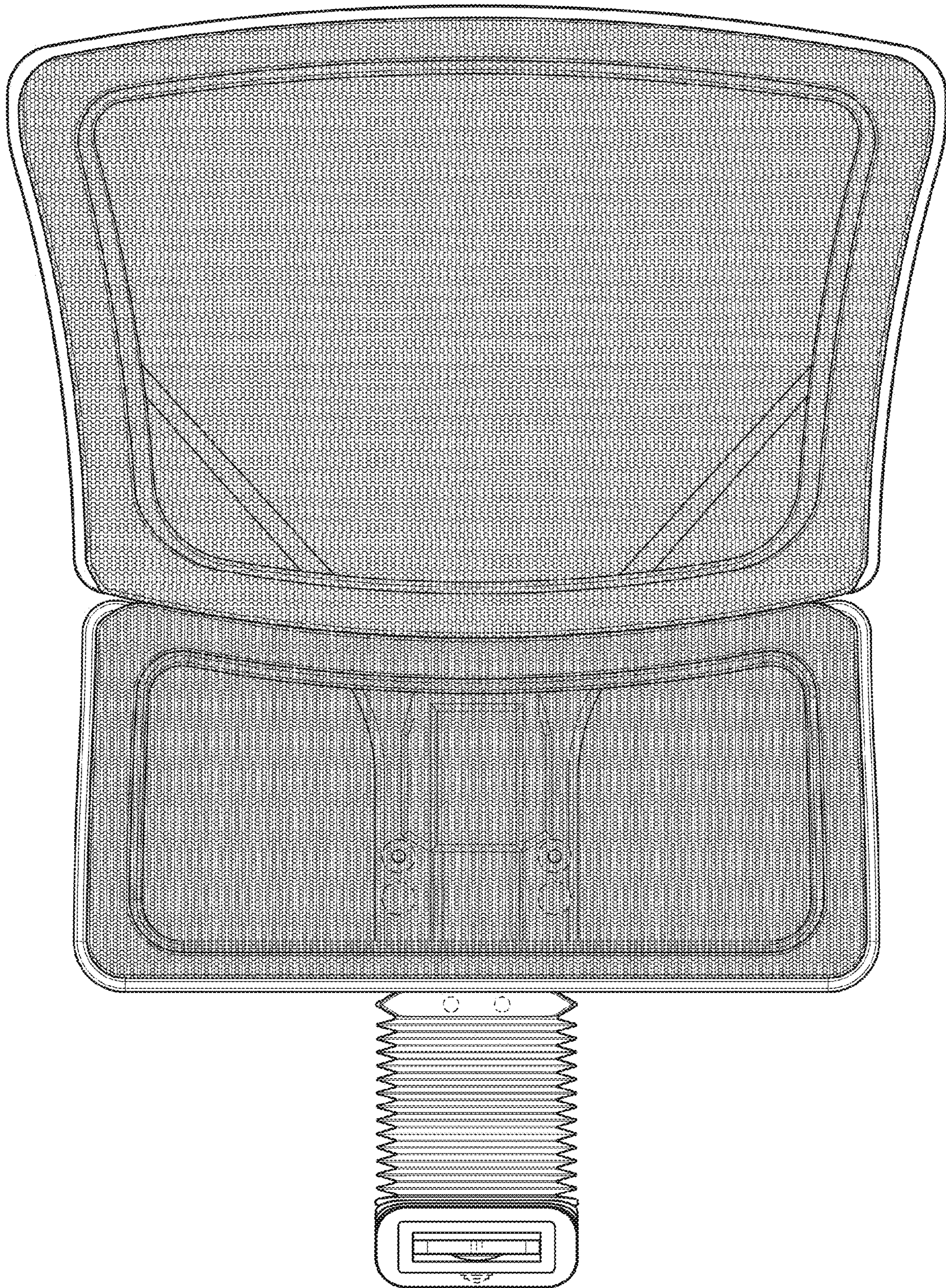
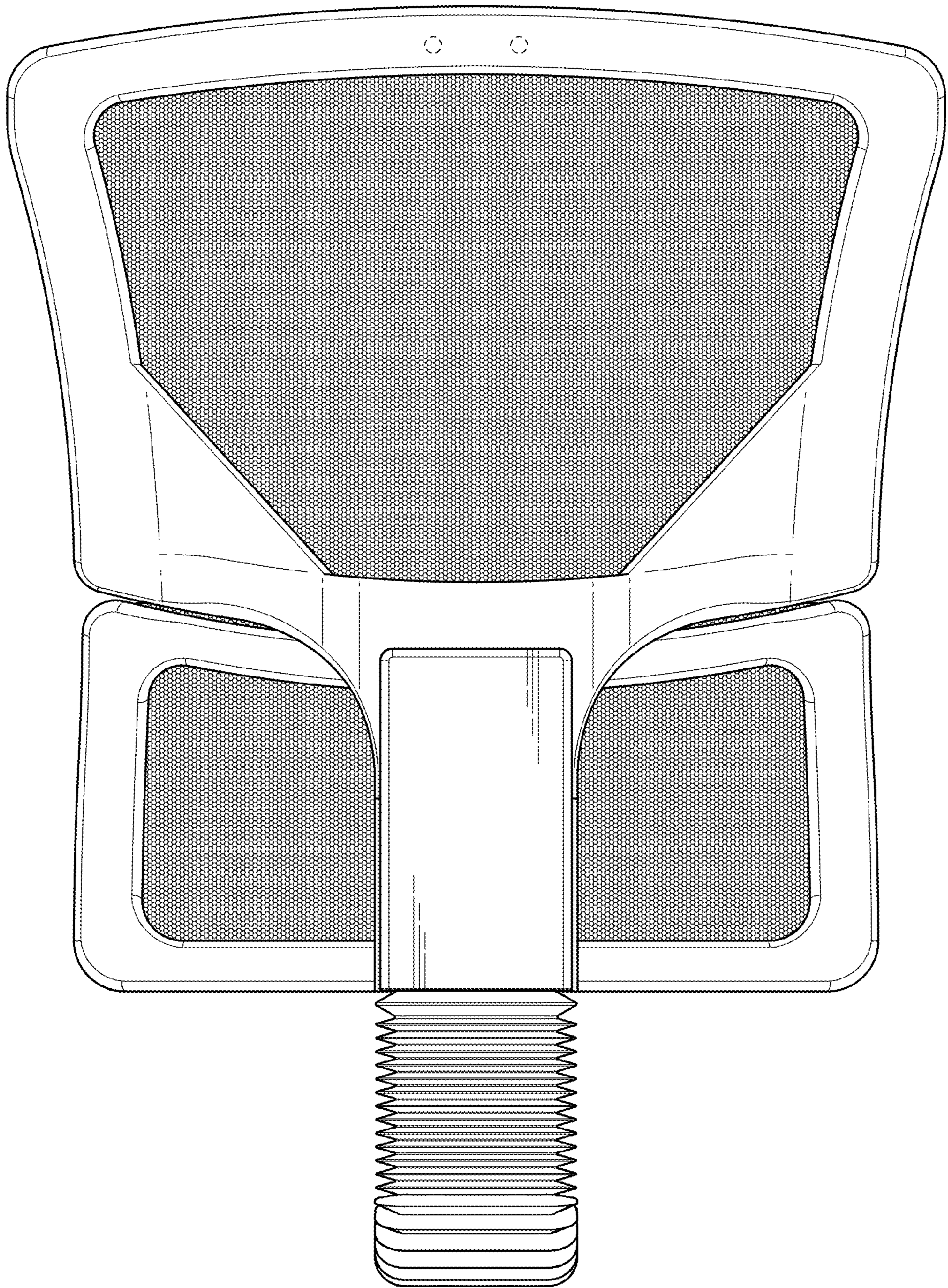


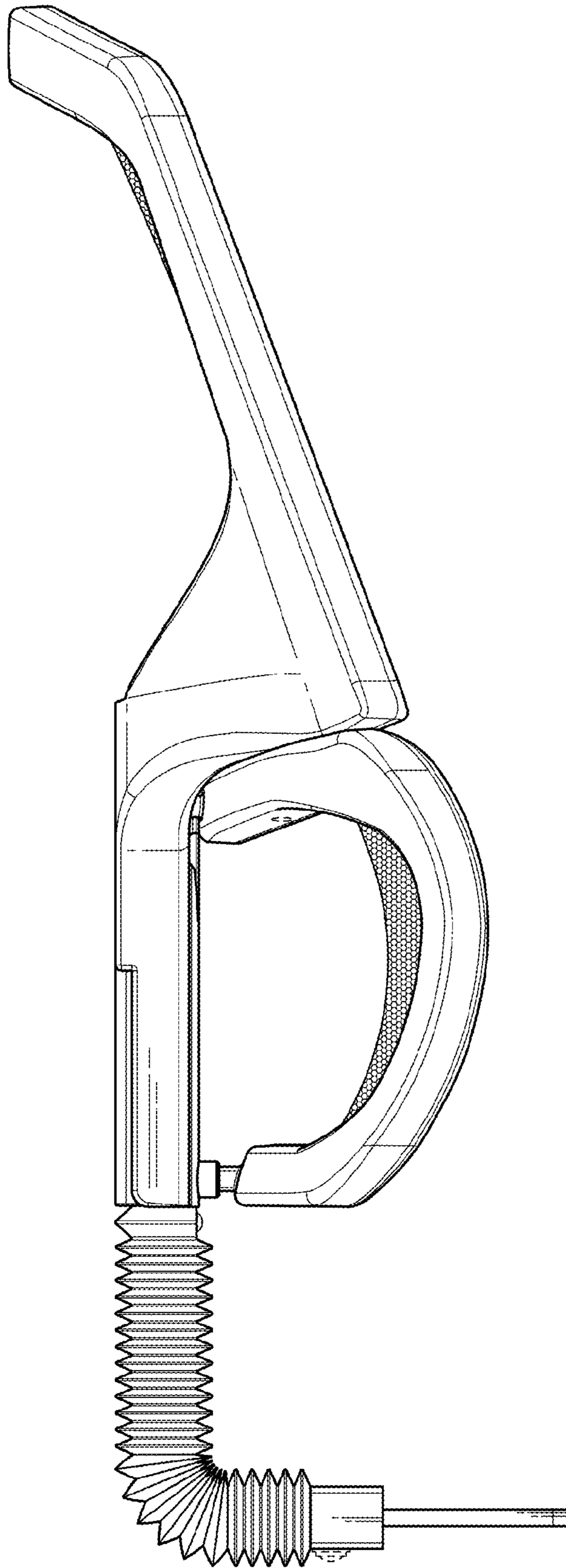
FIG. 2



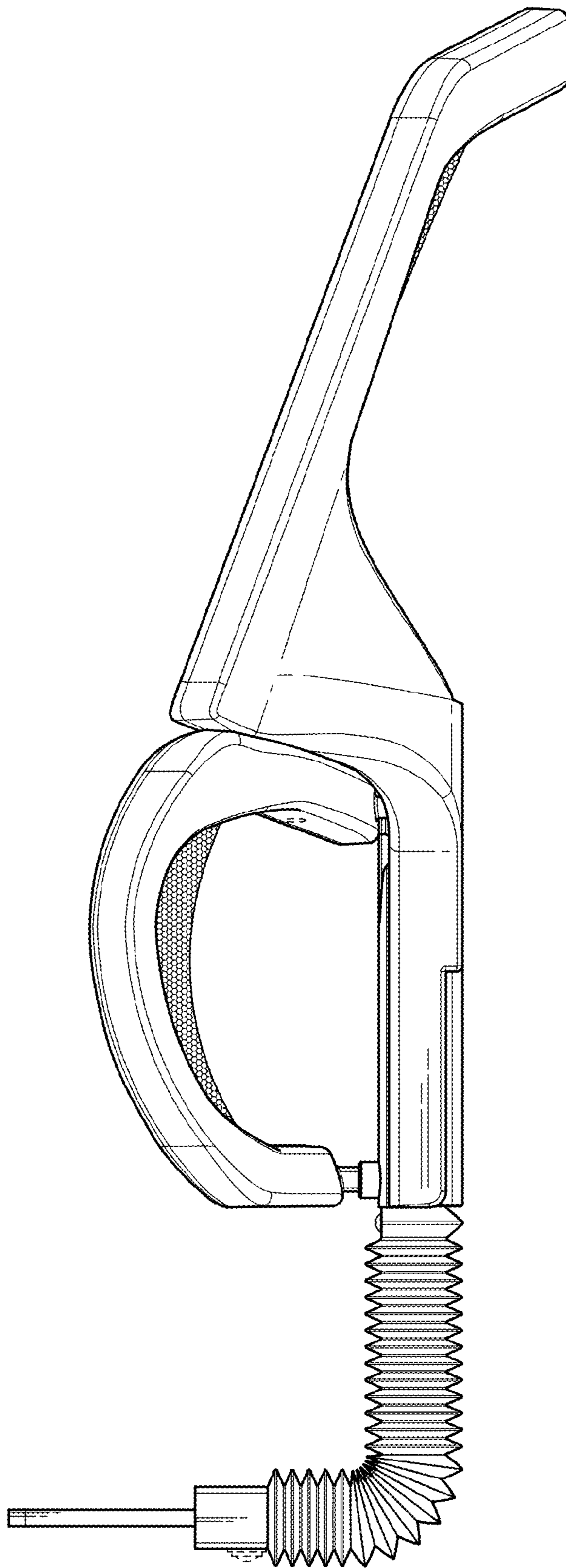


F I G . 3





F I G . 4



F I G . 5

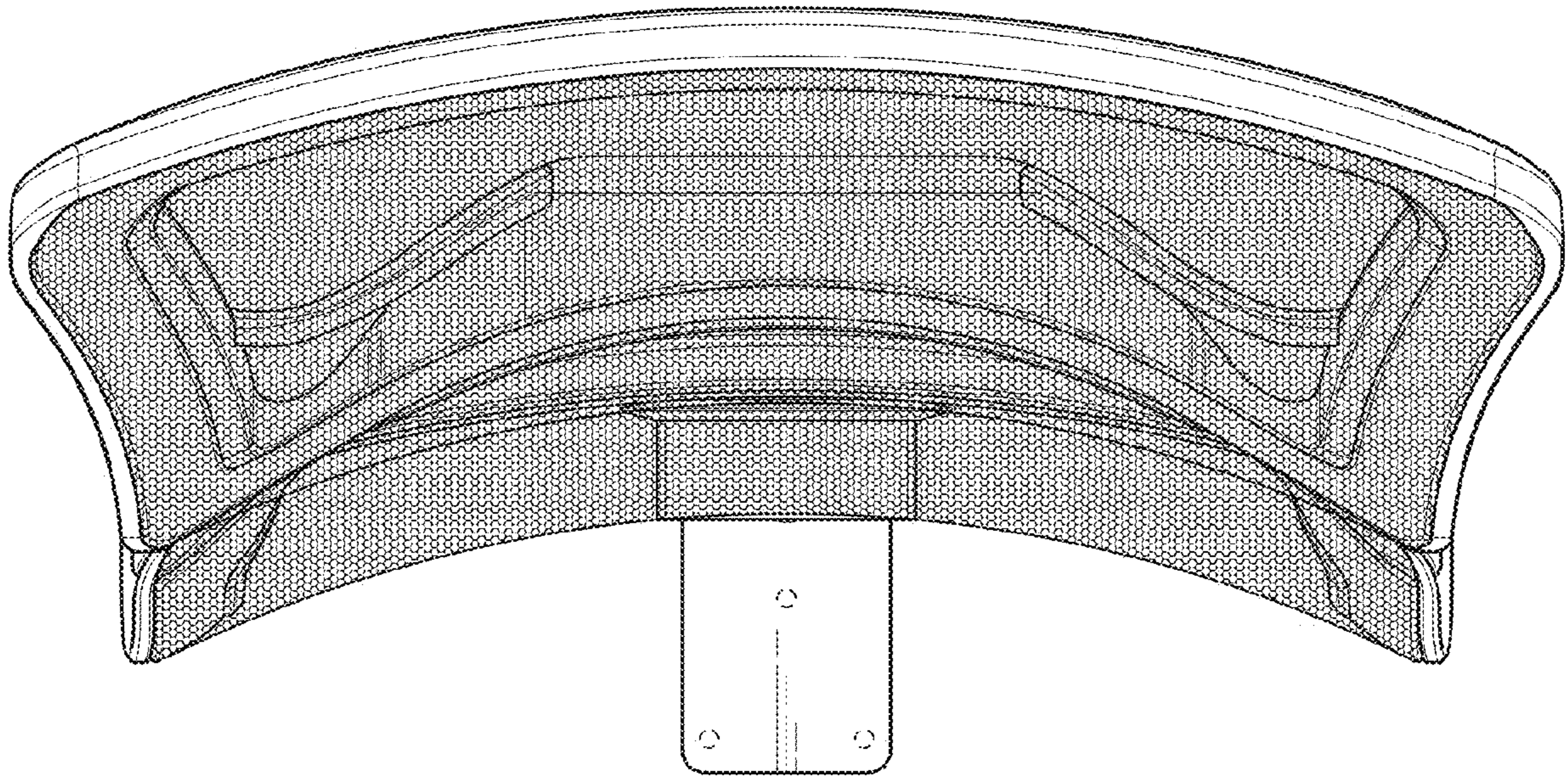


FIG. 6



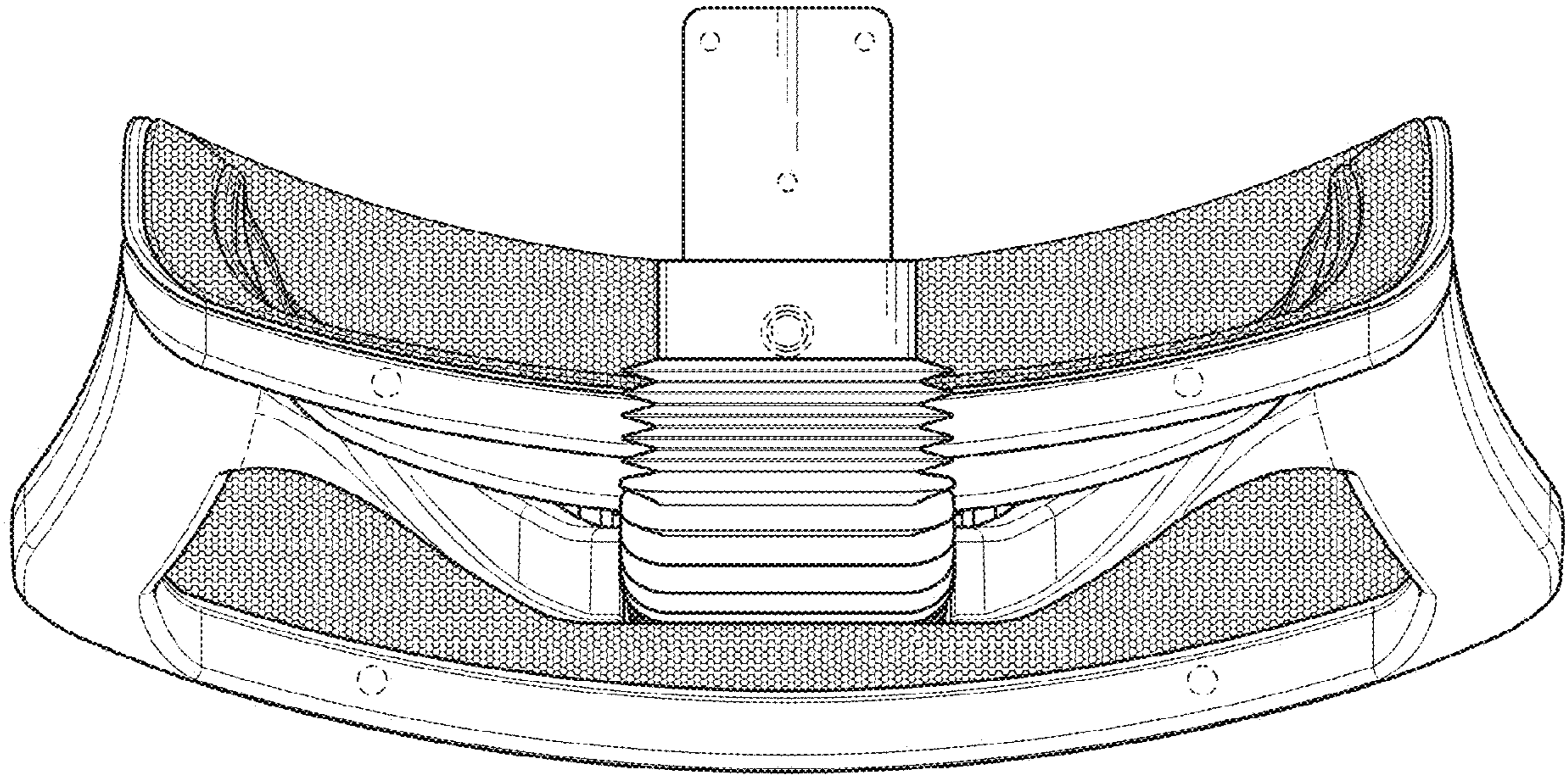


FIG. 7