



US00D957838S

(12) **United States Design Patent**
Chen

(10) **Patent No.:** **US D957,838 S**
(45) **Date of Patent:** **** Jul. 19, 2022**

(54) **STADIUM SEAT**

(71) Applicant: **Chunying Chen**, Jiangxi (CN)

(72) Inventor: **Chunying Chen**, Jiangxi (CN)

(**) Term: **15 Years**

(21) Appl. No.: **29/801,606**

(22) Filed: **Jul. 29, 2021**

(51) **LOC (13) Cl.** **06-01**

(52) **U.S. Cl.**

USPC **D6/362**; D6/368

(58) **Field of Classification Search**

USPC D6/334-336, 362, 368, 371, 373, 374,

D6/379, 380, 716, 716.1, 716.2, 716.4

CPC .. A47C 1/16; A47C 1/121; A47C 1/36; A47C

1/146; A47C 7/021; A47C 4/28; A47C

4/283; A47C 4/30; A47C 4/00; A47C

4/04; A47C 4/045; A47C 4/42; A47C

5/04; A47C 5/06; A47C 5/10

See application file for complete search history.

(56) **References Cited**

U.S. PATENT DOCUMENTS

6,352,306 B1 * 3/2002 Dreiling A47C 1/16

297/252

D468,548 S * 1/2003 Head, Jr. D6/368

6,502,902 B1 * 1/2003 Romero A47C 5/10

297/352

D610,821 S * 3/2010 Dreiling D6/362

7,722,117 B2 * 5/2010 Jones A47C 1/16

297/230.11

D634,951 S * 3/2011 Dreiling D6/716.1

D771,400 S * 11/2016 DoVale D6/368

D790,269 S 6/2017 Kawai

D891,135 S * 7/2020 Chen D6/362

D936,384 S * 11/2021 Bourgeois D6/366
2005/0035639 A1 * 2/2005 Jones A47C 1/16
297/352
2021/0321776 A1 * 10/2021 Plant A47C 1/121

OTHER PUBLICATIONS

Hmmitaty Stadium Seats—The Most Compact Sized Stadium Chairs for Bleachers with Back Support, Extra Comfort Bleacher Seats with Highest Backs and Cushion, Portable Stadium Chair with Shoulder Strap, from amazon.com, Retrieved Date: Mar. 1, 2022, pp. 1 and 6, from https://www.amazon.com/Hmmitaty-Stadium-Seats-Bleachers-Support/dp/B09BZ27W5P/ref=sr_1_8?keywords=stadium%2Bseats&qid=1651884757&s=sporting-goods&sr=1-8&th=1 (Year: 2022).*

* cited by examiner

Primary Examiner — Mimosa De

(57) **CLAIM**

The ornamental design for a stadium seat, as shown and described.

DESCRIPTION

FIG. 1 is a perspective view of a stadium seat design showing my new design.

FIG. 2 is a front view of a stadium seat.

FIG. 3 is a rear view of a stadium seat.

FIG. 4 is a left side view of a stadium seat.

FIG. 5 is a right side view of a stadium seat.

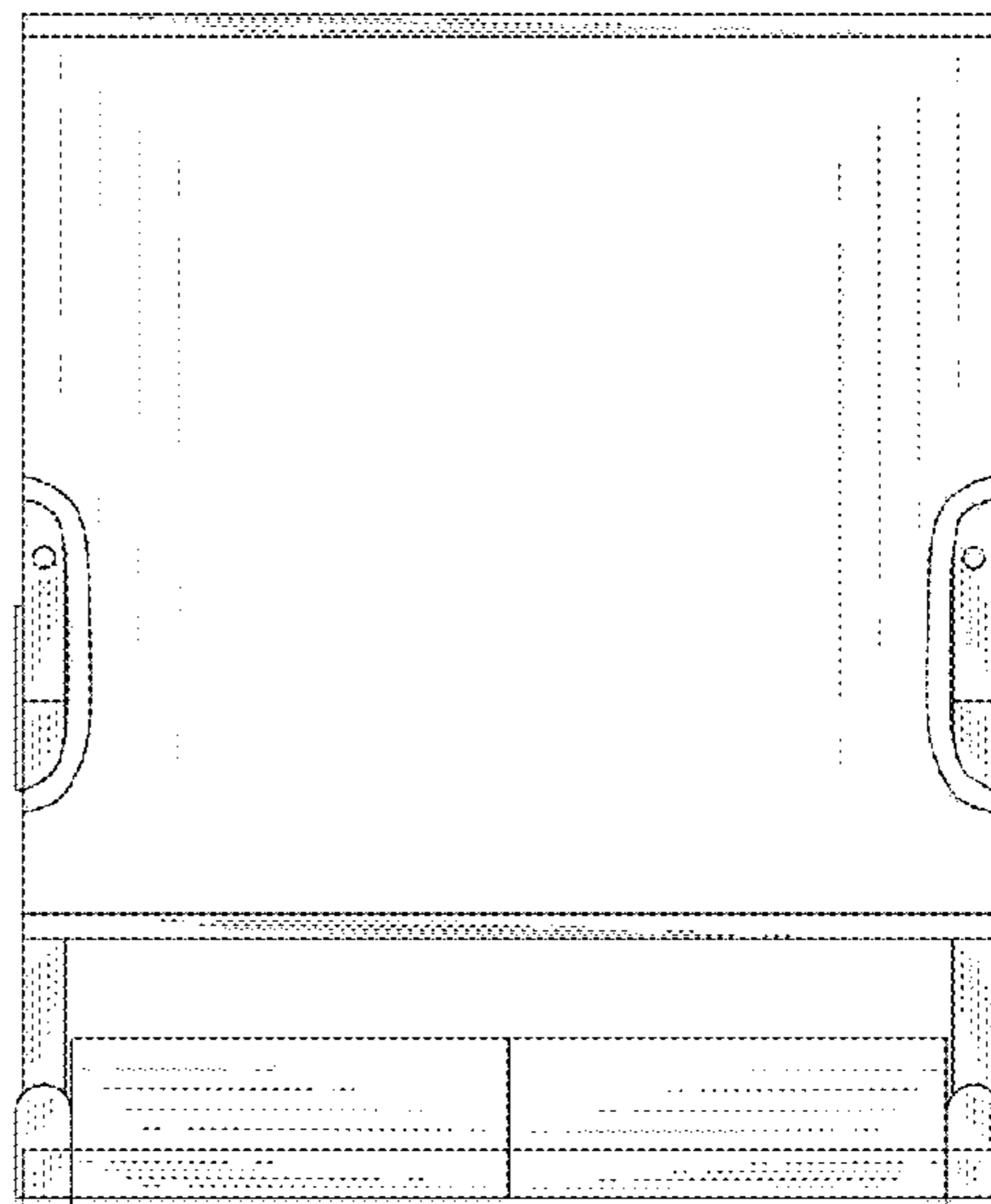
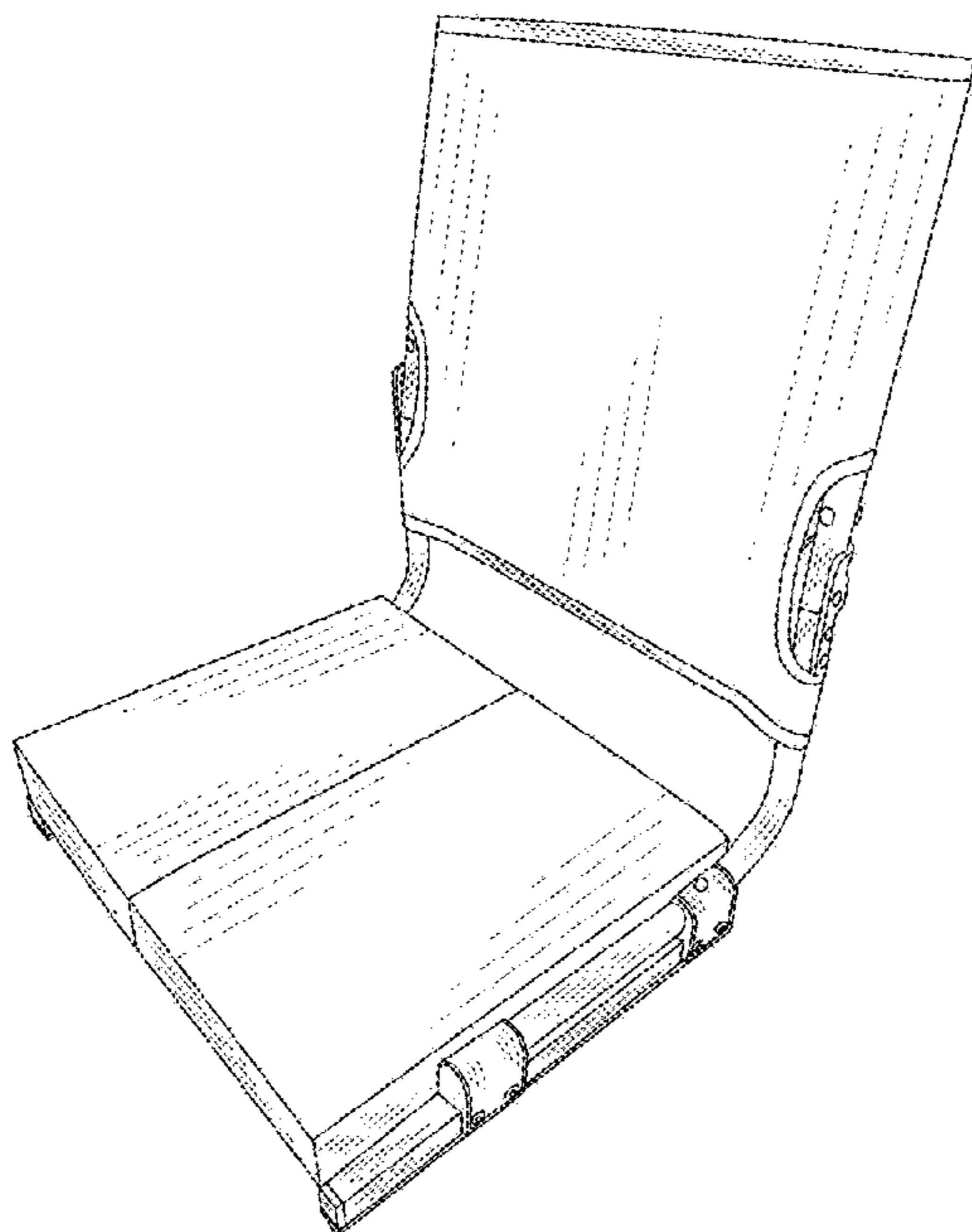
FIG. 6 is a top view of a stadium seat.

FIG. 7 is a bottom view of a stadium seat; and,

FIG. 8 is a perspective view thereof, showing the stadium seat in a folded state of use.

Any shading and cross-hatching are not features of the design but are utilized to illustrate the surface contours of the stadium seat design in the drawings.

1 Claim, 8 Drawing Sheets



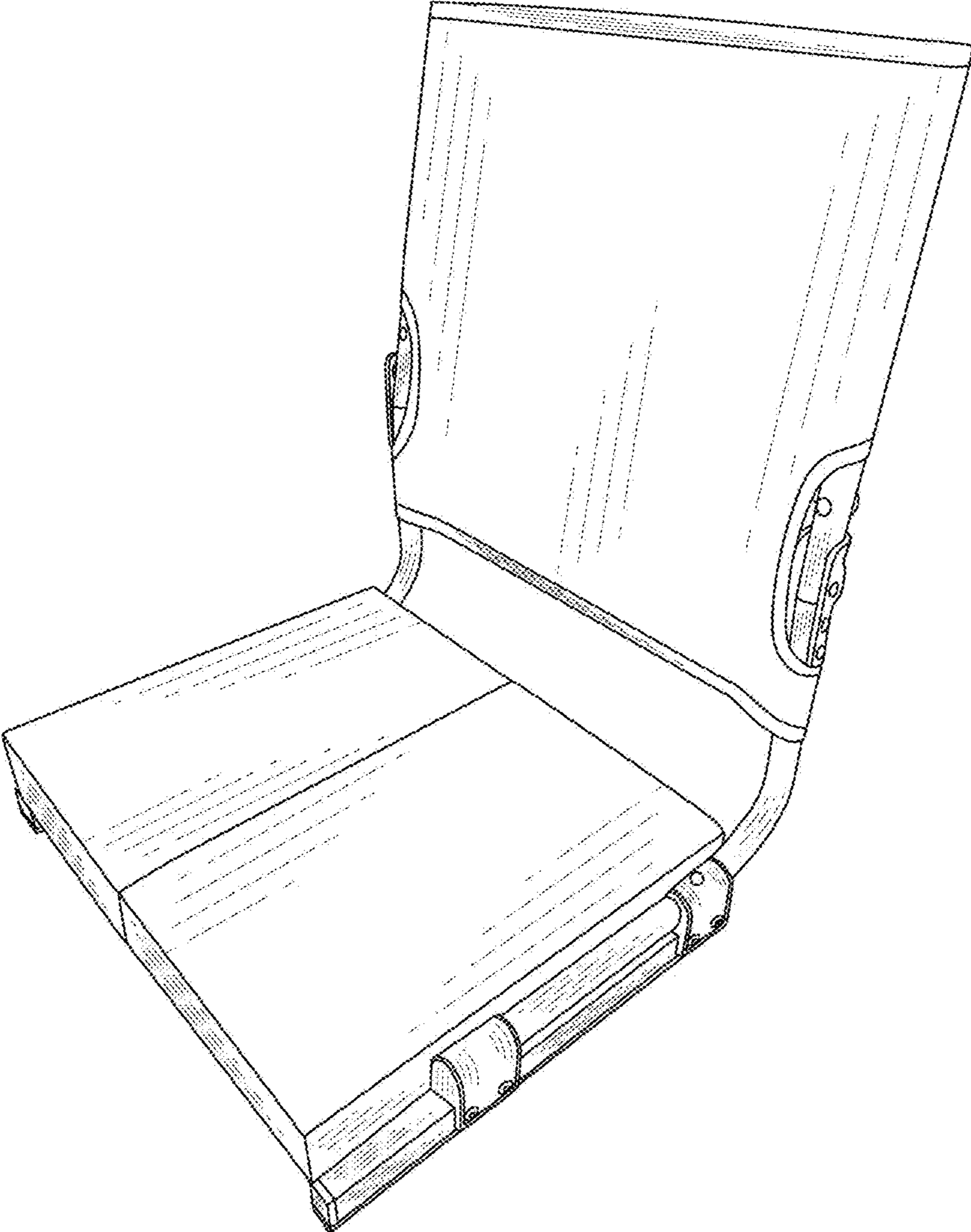


FIG. 1

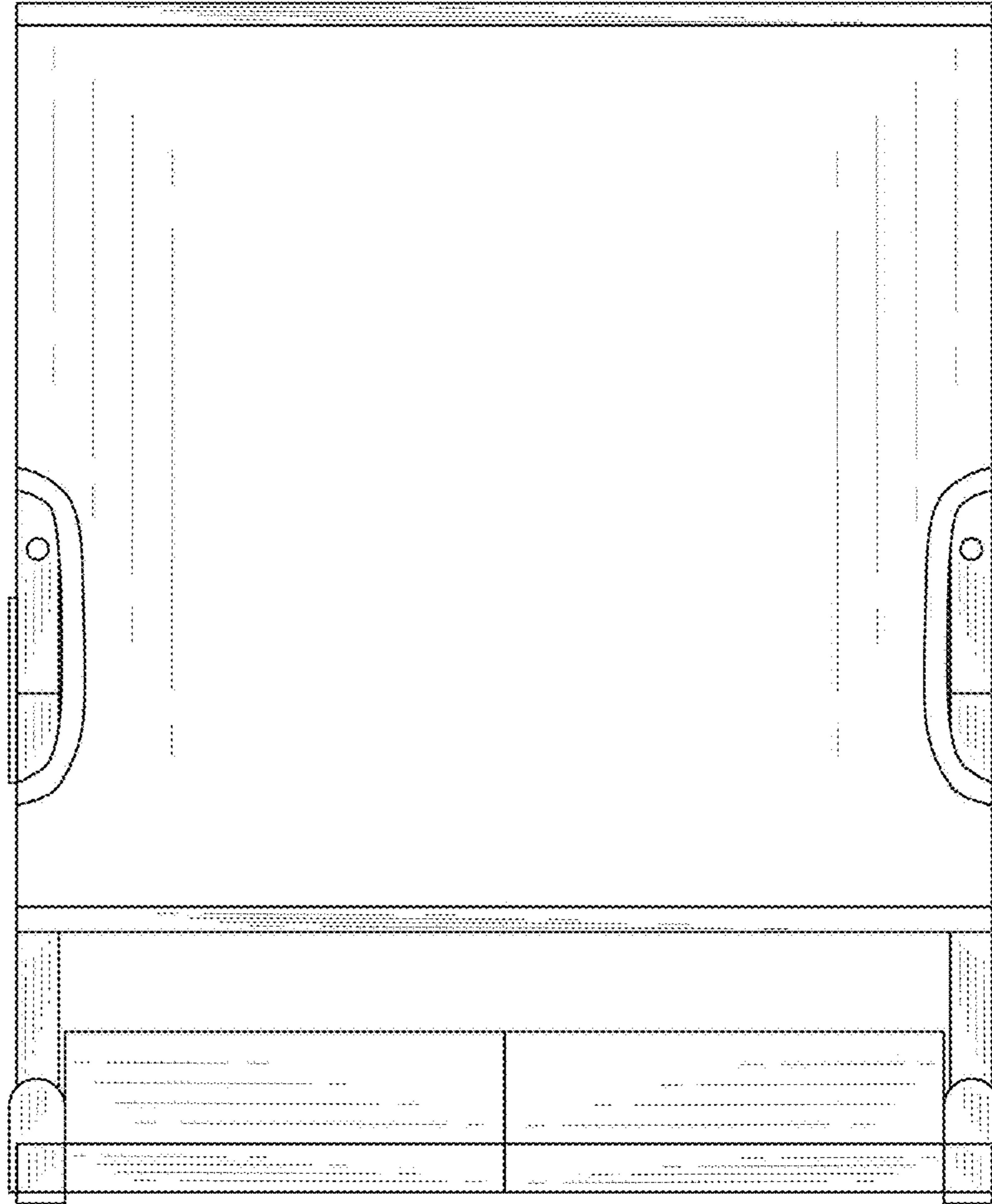


FIG. 2

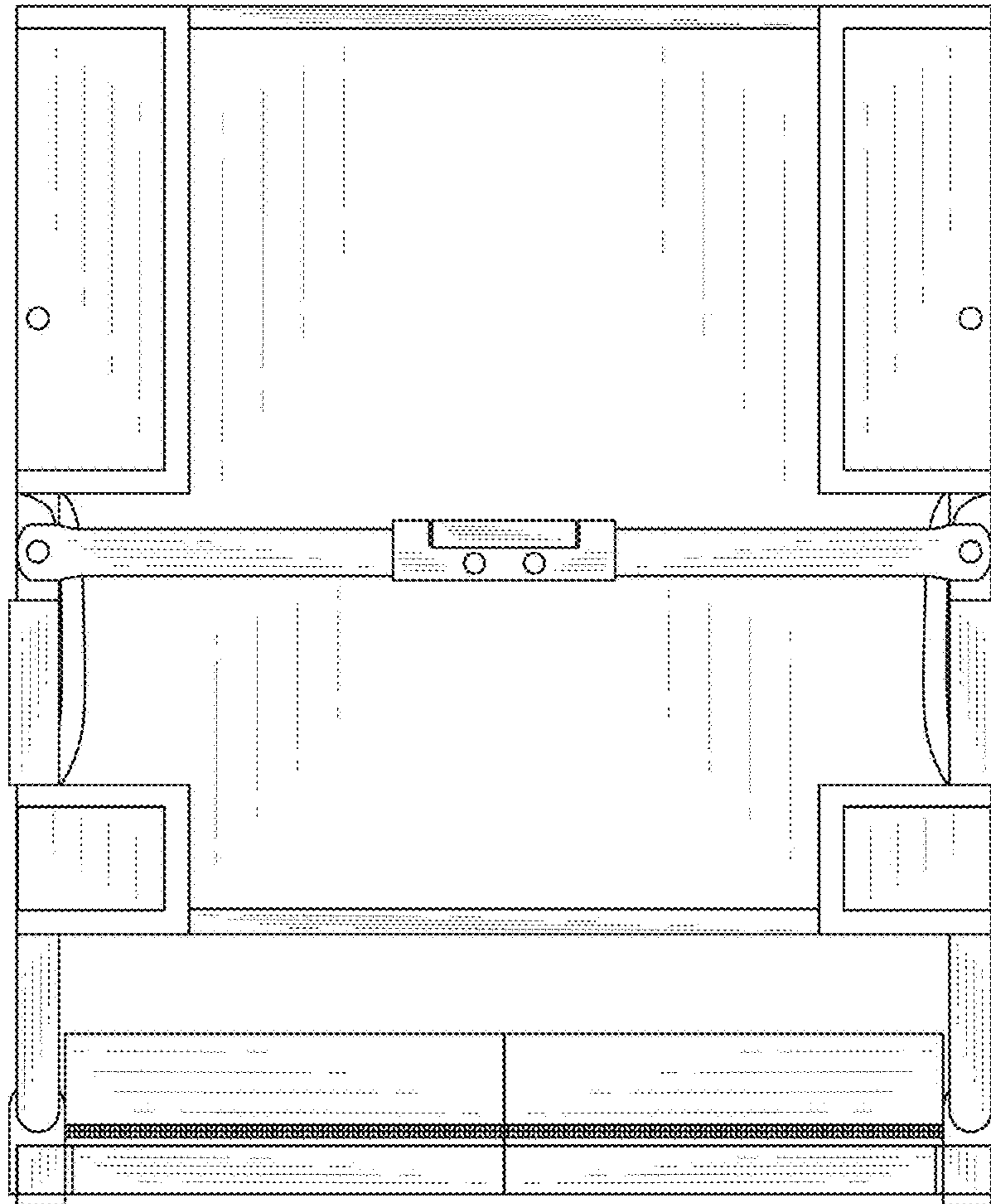


FIG. 3

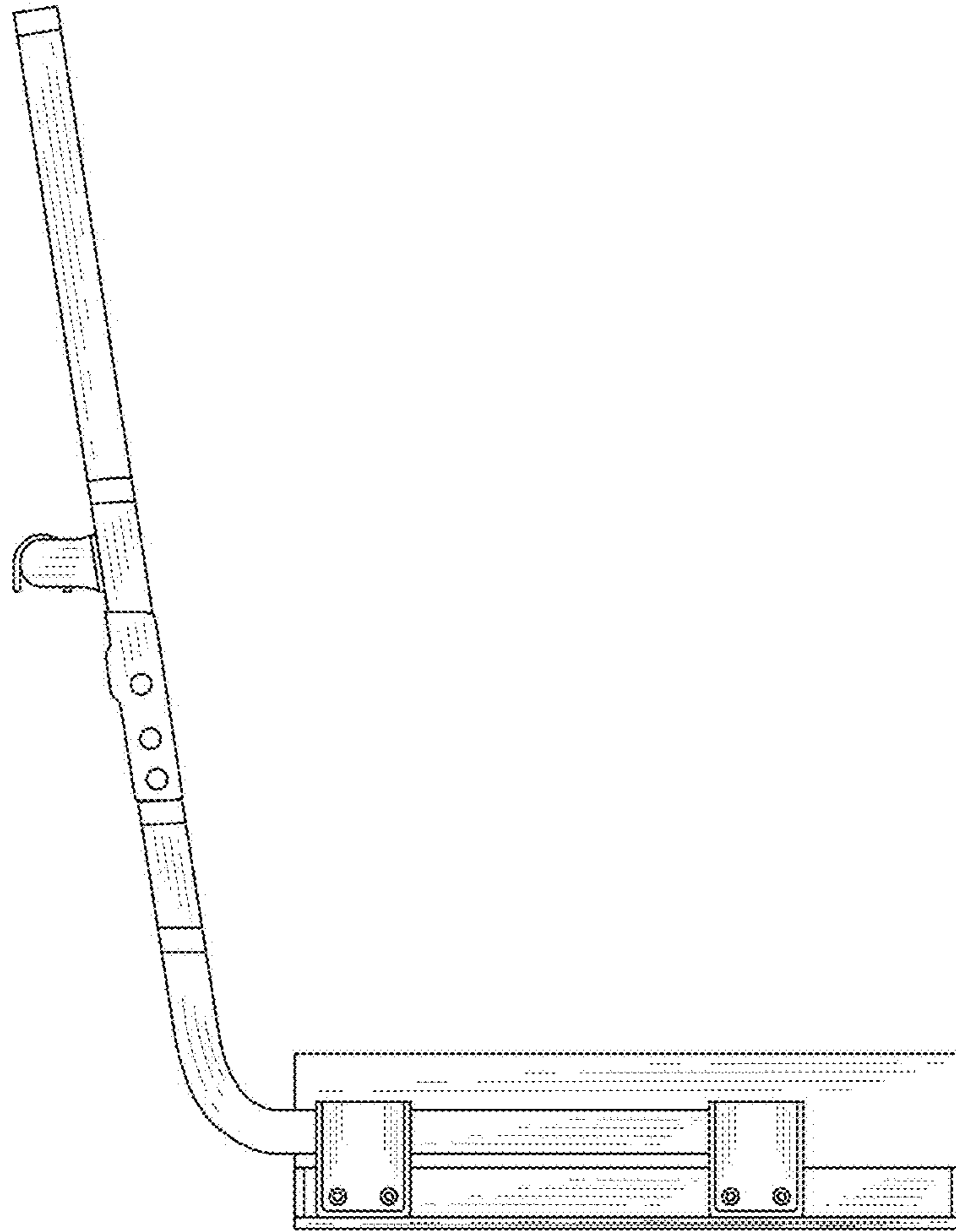


FIG. 4

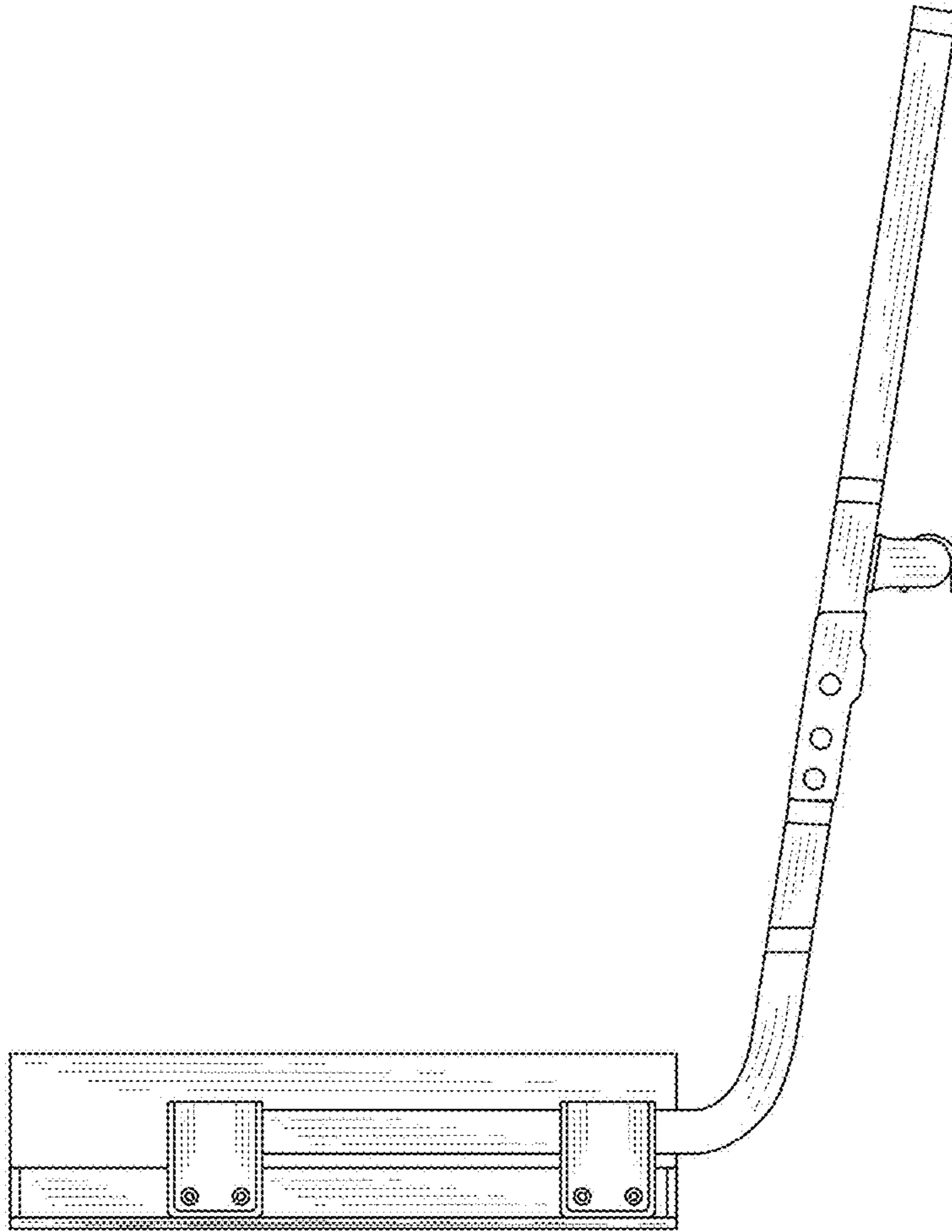


FIG. 5

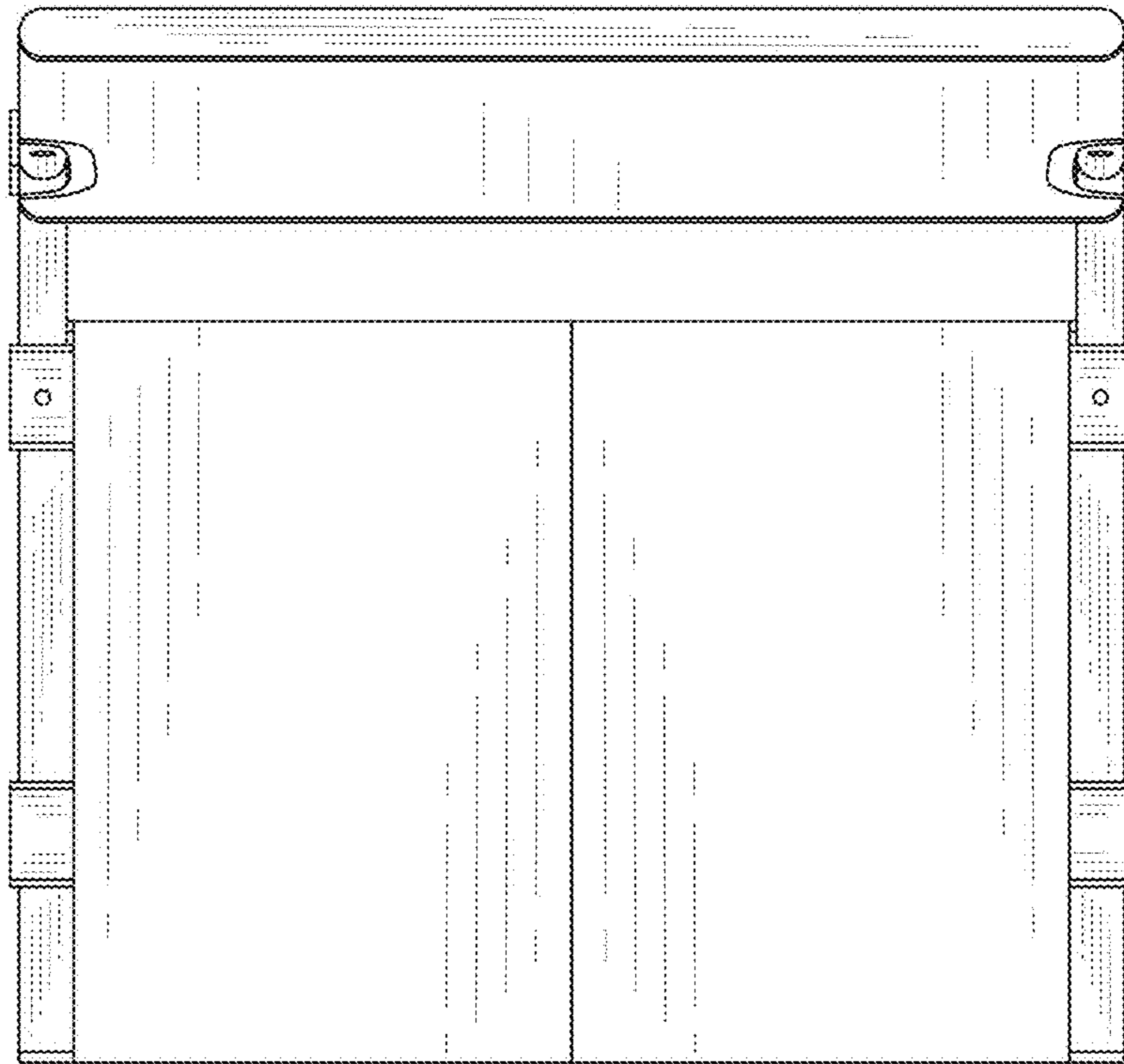


FIG. 6

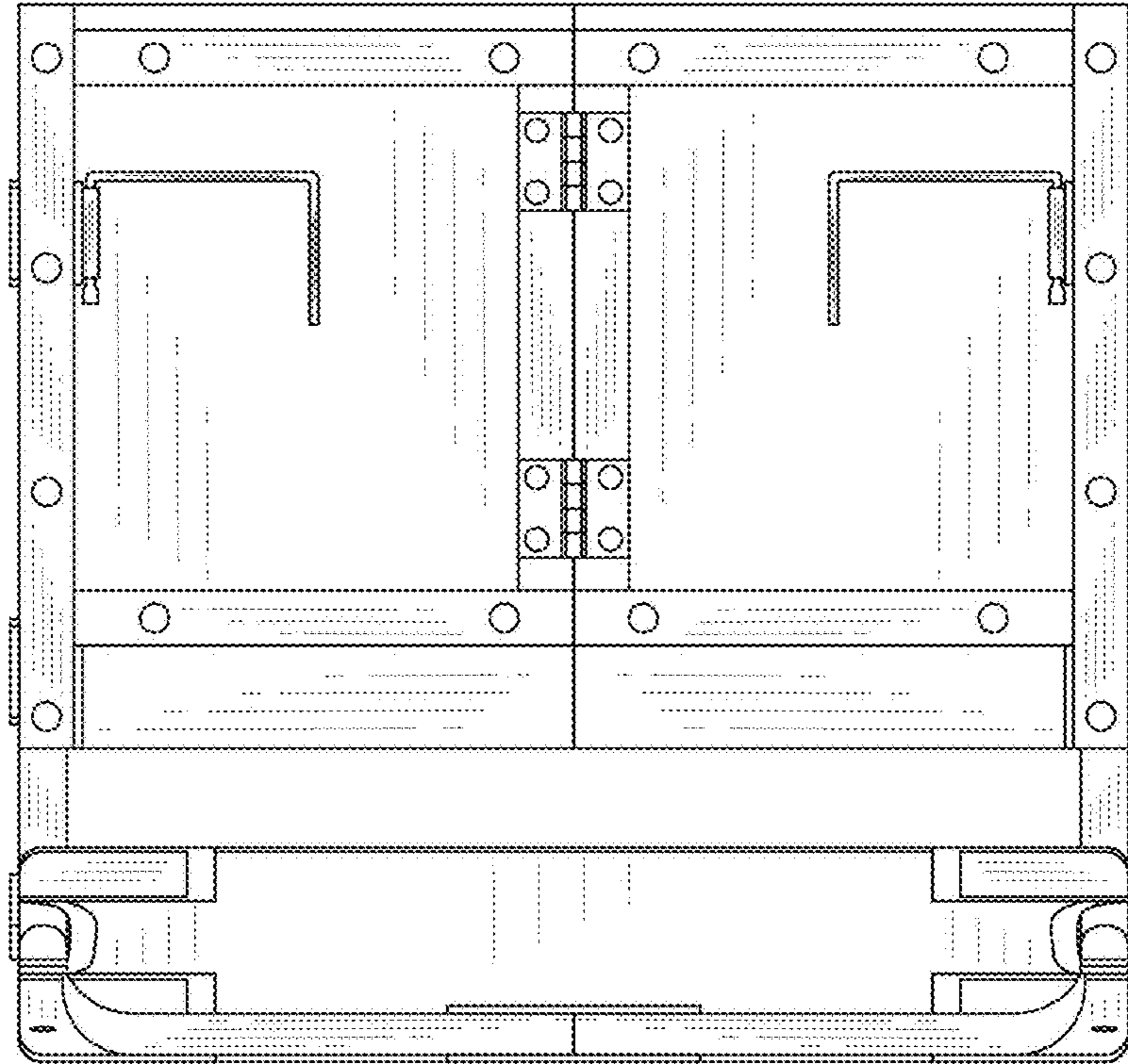


FIG. 7

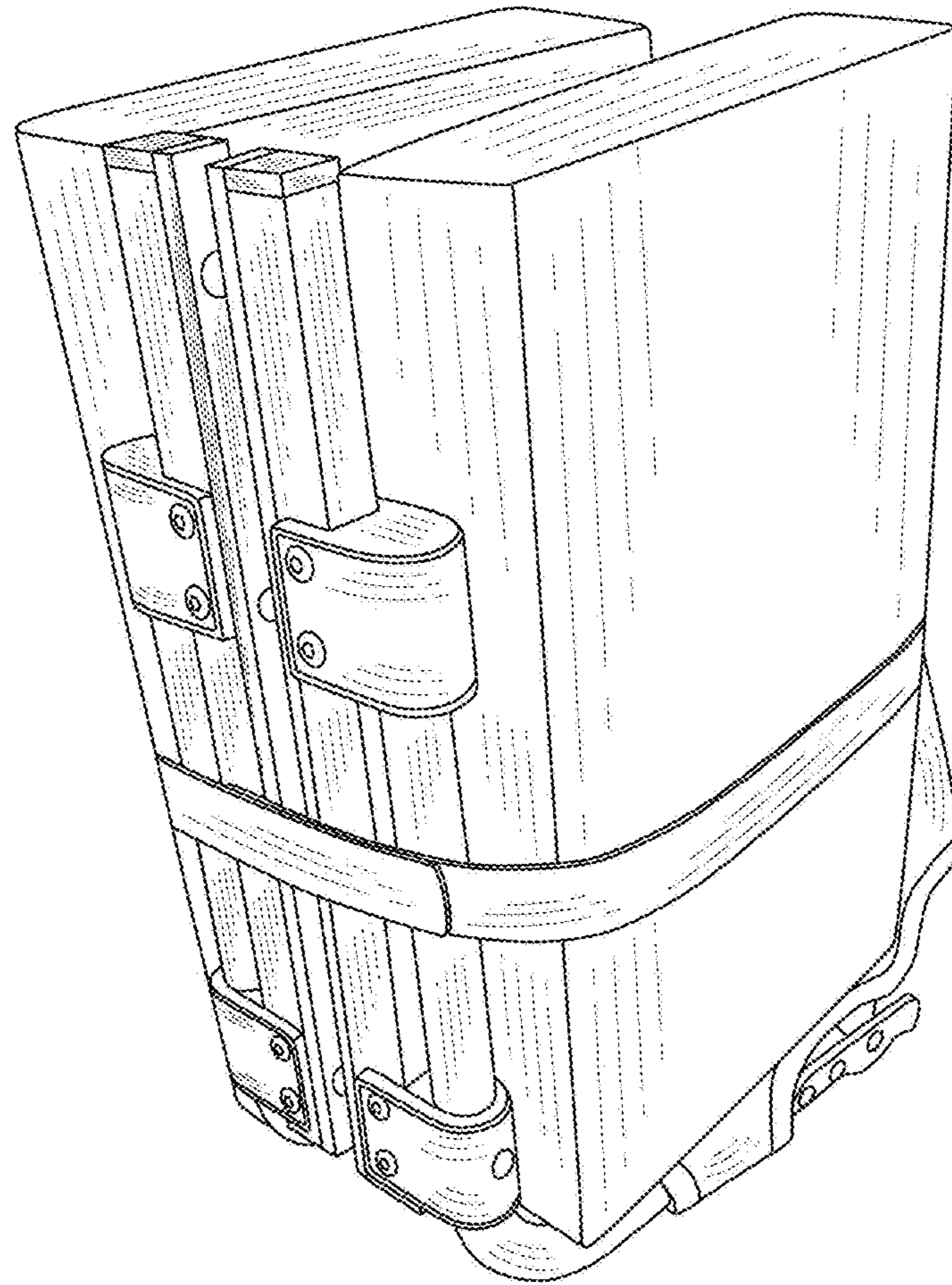


FIG. 8