



US00D957837S

(12) **United States Design Patent**  
**Ranco**

(10) **Patent No.:** **US D957,837 S**

(45) **Date of Patent:** **\*\* Jul. 19, 2022**

(54) **DECK CHAIR**

(71) Applicant: **PLAST-MECCANICA SOCIETA' PER AZIONI**, Castelbellino (IT)

(72) Inventor: **Giuseppe Sandro Ranco**, Maiolati Spontini (IT)

(\*\*) Term: **15 Years**

(21) Appl. No.: **29/752,832**

(22) Filed: **Sep. 29, 2020**

(51) **LOC (13) Cl.** ..... **06-01**

(52) **U.S. Cl.**  
USPC ..... **D6/361**

(58) **Field of Classification Search**  
USPC ..... D6/360, 361, 367, 368, 369, 370, 382  
CPC .. A47C 1/02; A47C 1/028; A47C 1/14; A47C 3/143; A47C 4/04; A47C 4/08; A47C 4/18; A47C 5/02

See application file for complete search history.

(56) **References Cited**

**U.S. PATENT DOCUMENTS**

|              |        |             |       |        |
|--------------|--------|-------------|-------|--------|
| D344,415 S * | 2/1994 | Gibbs       | ..... | D6/361 |
| D405,967 S * | 2/1999 | Lewis       | ..... | D6/369 |
| D418,684 S * | 1/2000 | van Rhienen | ..... | D6/369 |
| D515,324 S * | 2/2006 | Grosfillex  | ..... | D6/361 |
| D517,333 S * | 3/2006 | Grosfillex  | ..... | D6/361 |

|              |         |                  |       |                     |
|--------------|---------|------------------|-------|---------------------|
| D531,828 S * | 11/2006 | Frnier           | ..... | D6/369              |
| D545,581 S * | 7/2007  | Gower            | ..... | D6/361              |
| D707,049 S * | 6/2014  | Asner            | ..... | D6/361              |
| D802,313 S * | 11/2017 | Bernardi         | ..... | D6/361              |
| D823,014 S * | 7/2018  | Guggenbichler    | ..... | A47C 3/04<br>D6/361 |
| D825,944 S * | 8/2018  | Vermeulen        | ..... | D6/361              |
| D845,657 S * | 4/2019  | Balliu Falgueras | ..... | D6/361              |
| D939,229 S * | 12/2021 | Shemer           | ..... | D6/361              |

\* cited by examiner

*Primary Examiner* — R. Johnson

(74) *Attorney, Agent, or Firm* — Egbert, McDaniel & Swartz, PLLC

(57) **CLAIM**

The ornamental design for a deck chair, as shown and described.

**DESCRIPTION**

FIG. 1 is a perspective view of a deck chair showing my new design.

FIG. 2 is a front view thereof;

FIG. 3 is a rear view thereof;

FIG. 4 is a side view thereof;

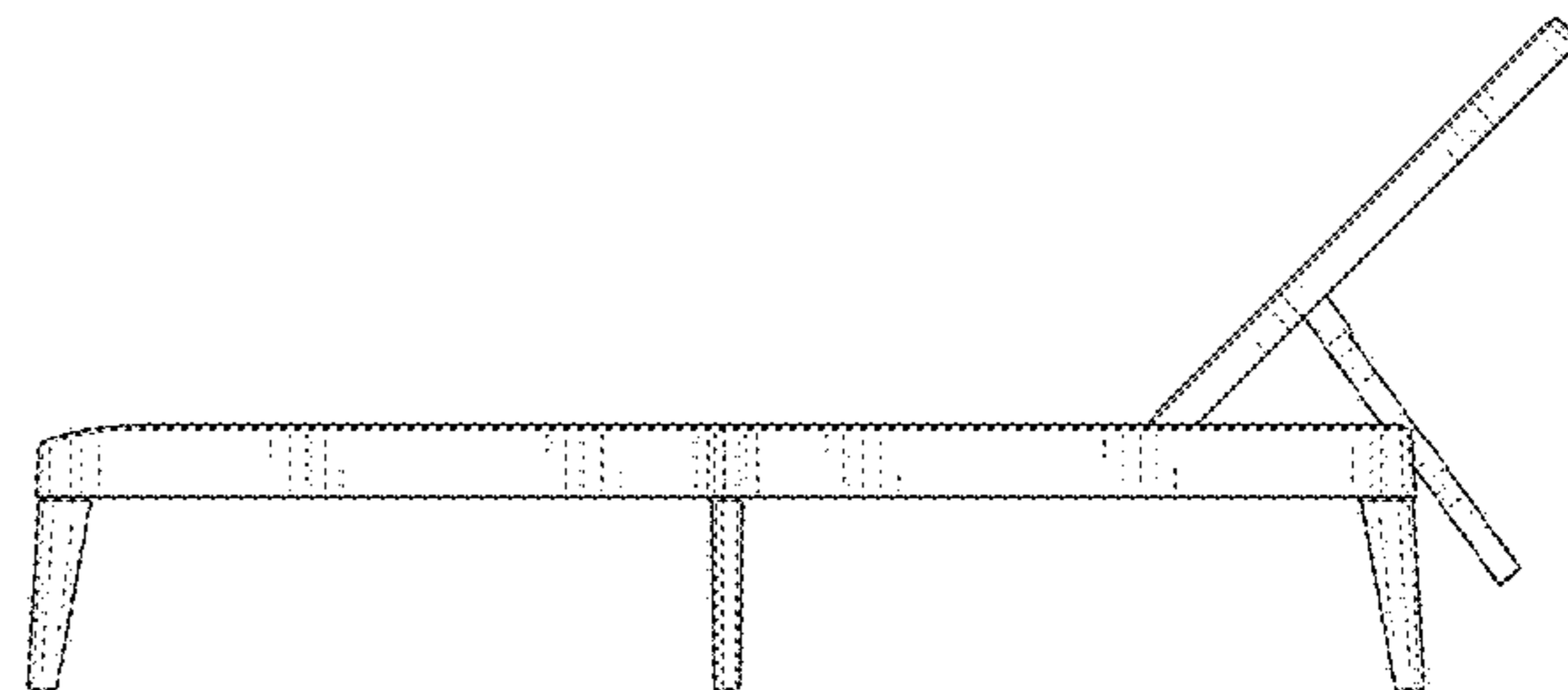
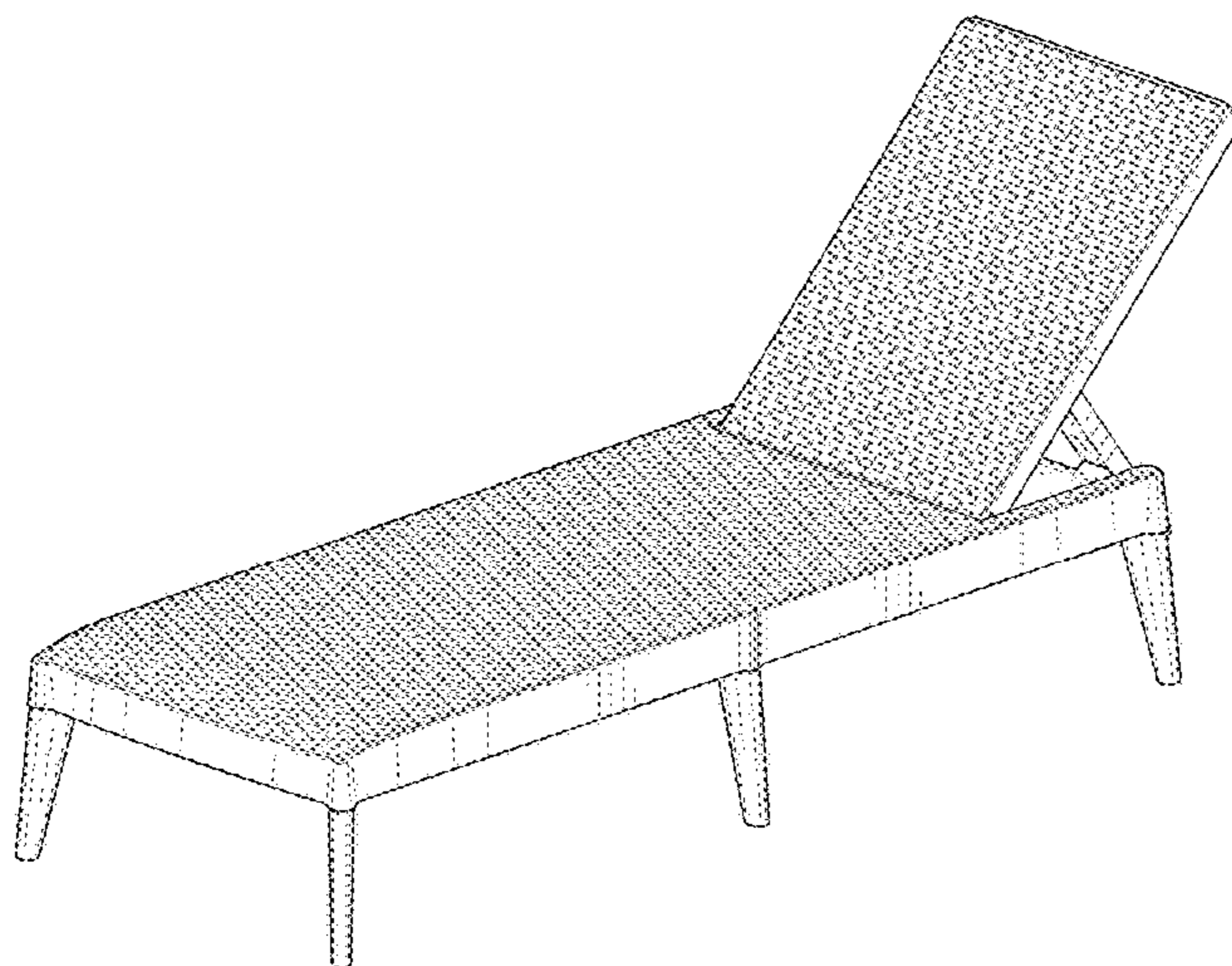
FIG. 5 is an opposite side view thereof;

FIG. 6 is a top view thereof; and,

FIG. 7 is a bottom view thereof.

The features presented in broken lines illustrate portions of the deck chair that form no part of the claimed design.

**1 Claim, 3 Drawing Sheets**



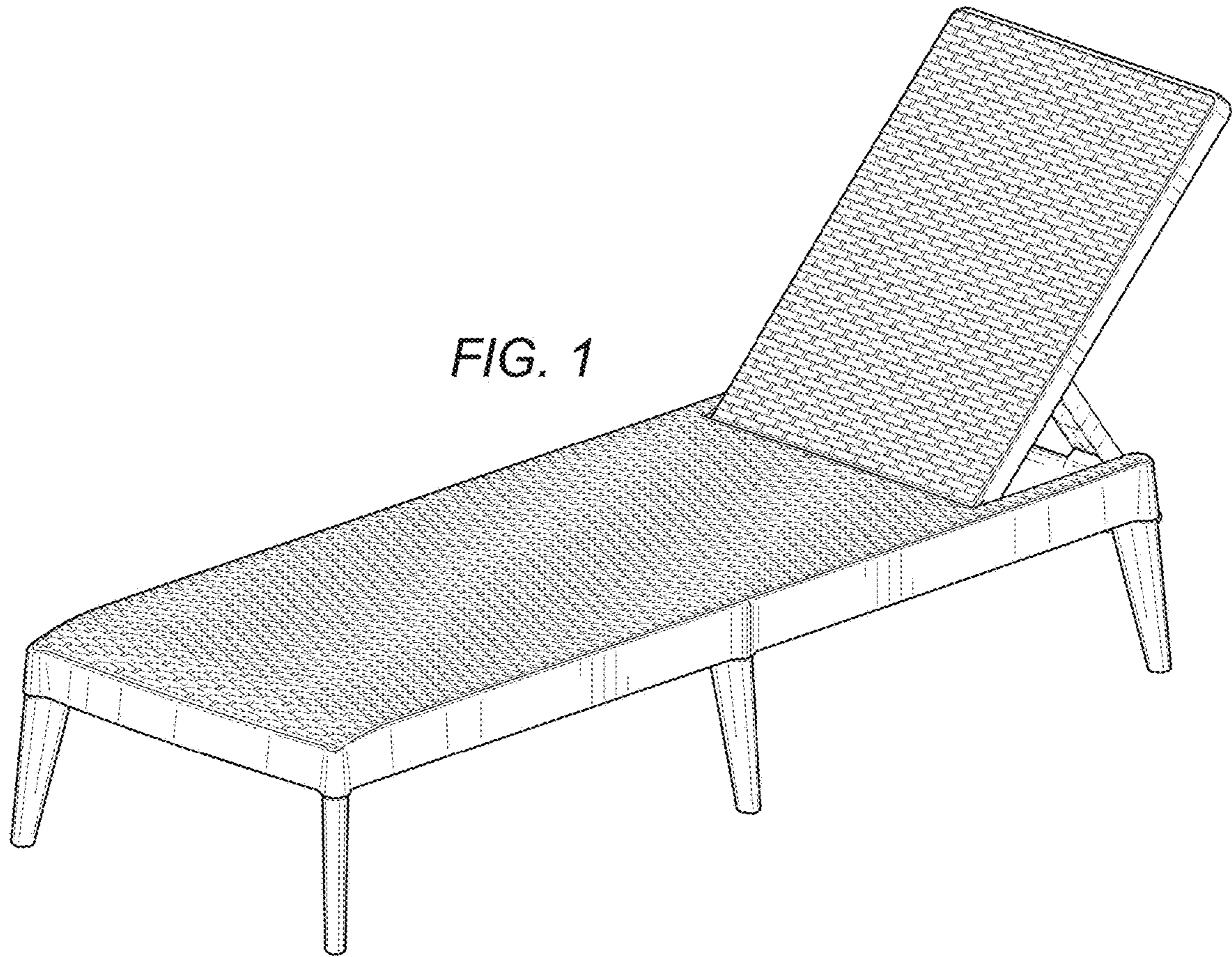
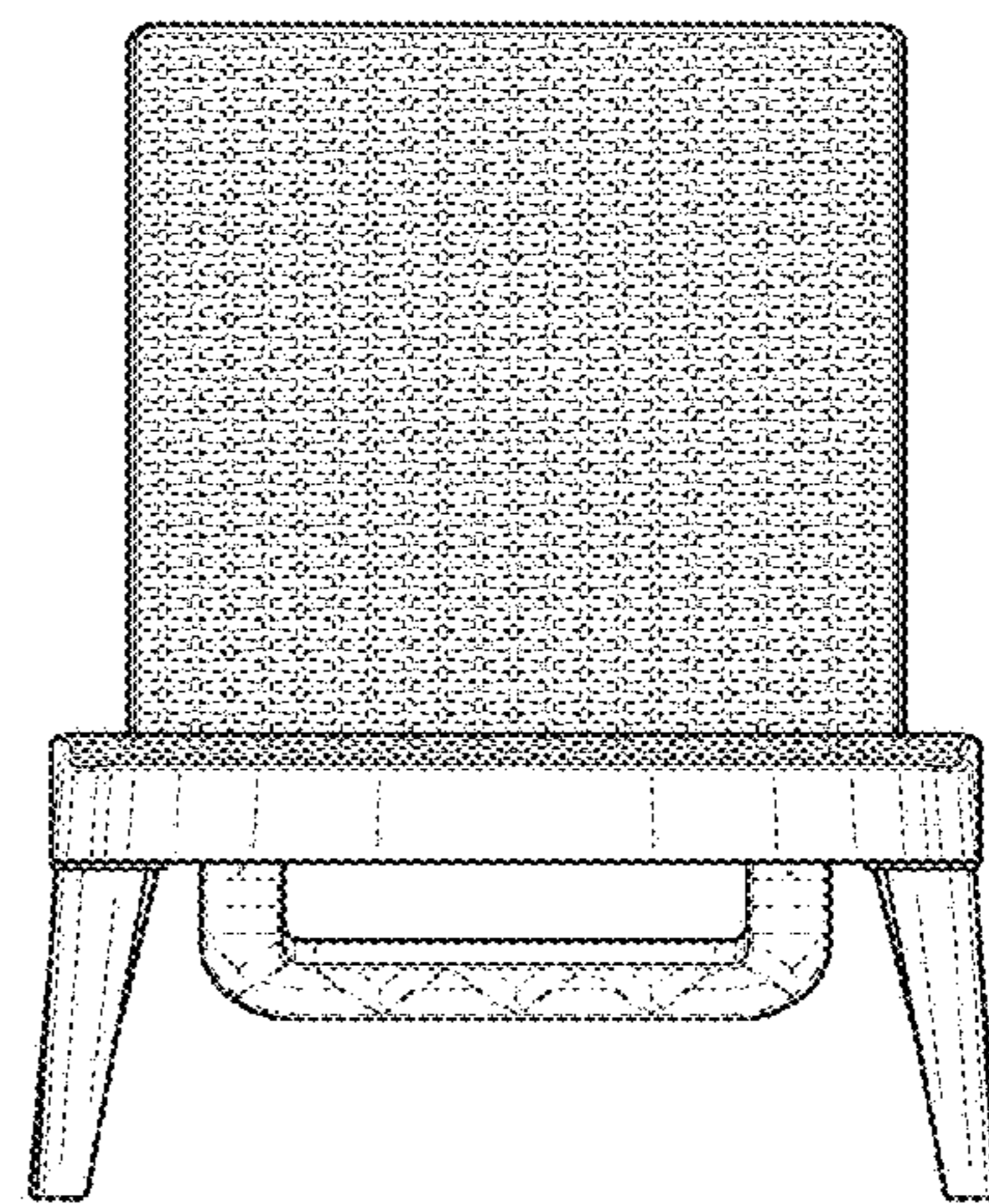


FIG. 2





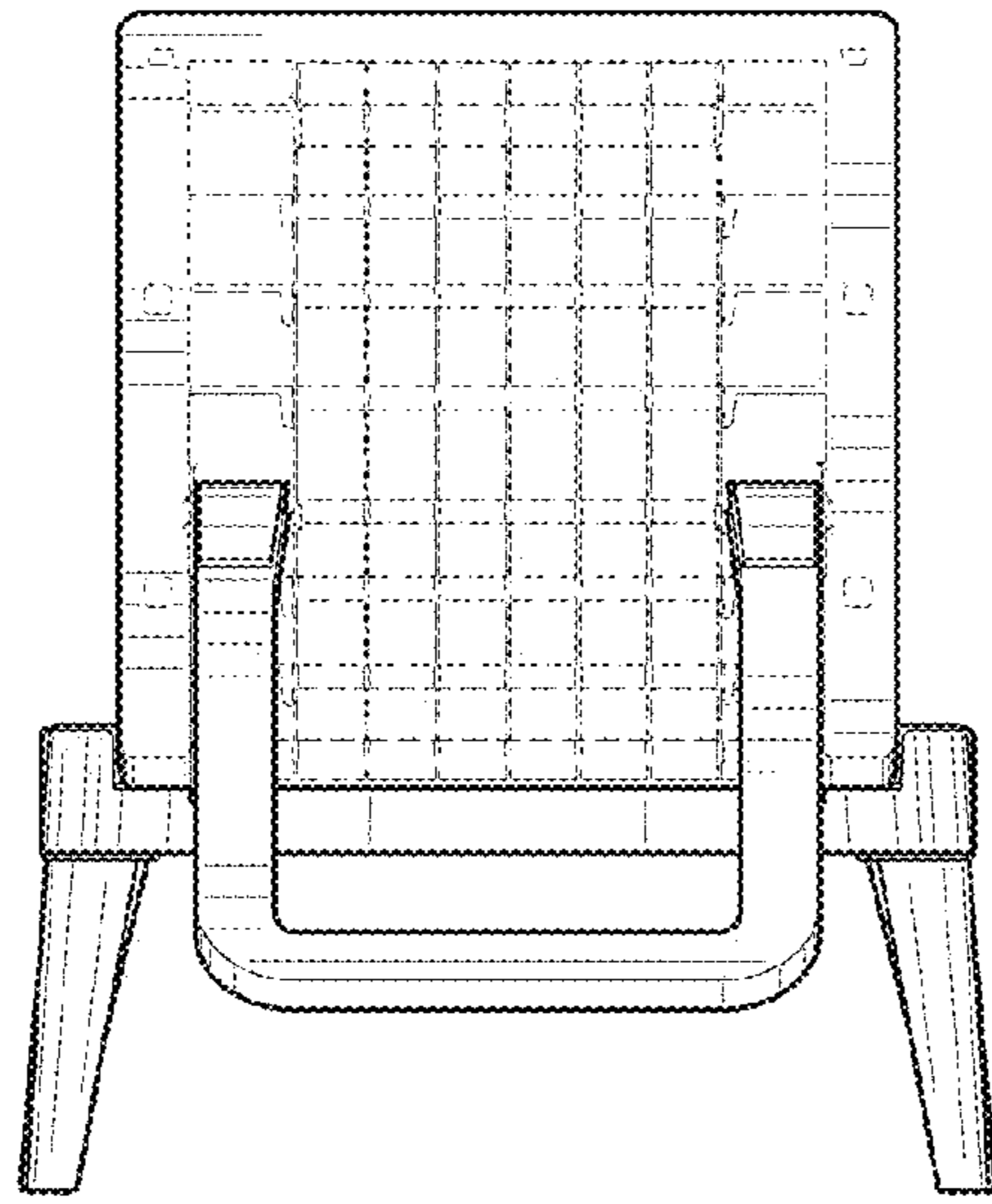


FIG. 3

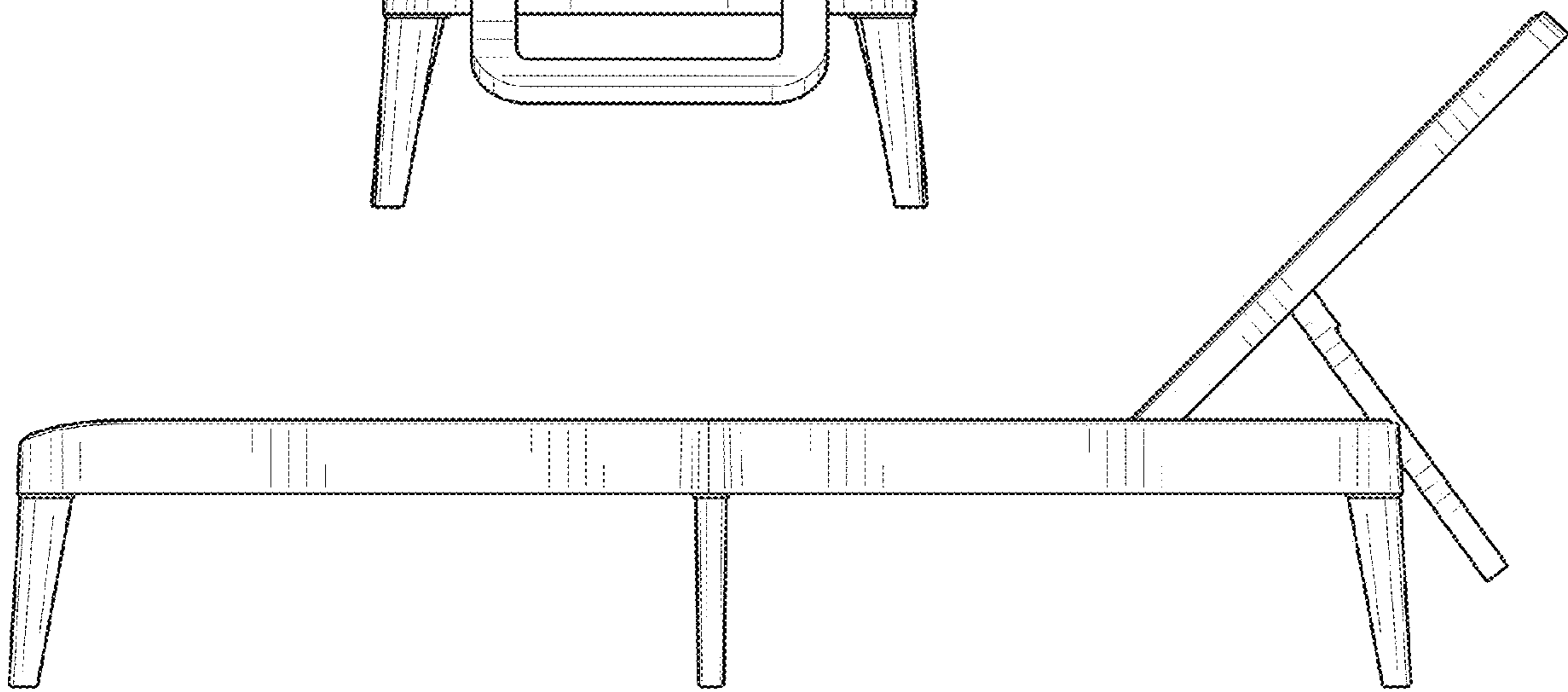


FIG. 4

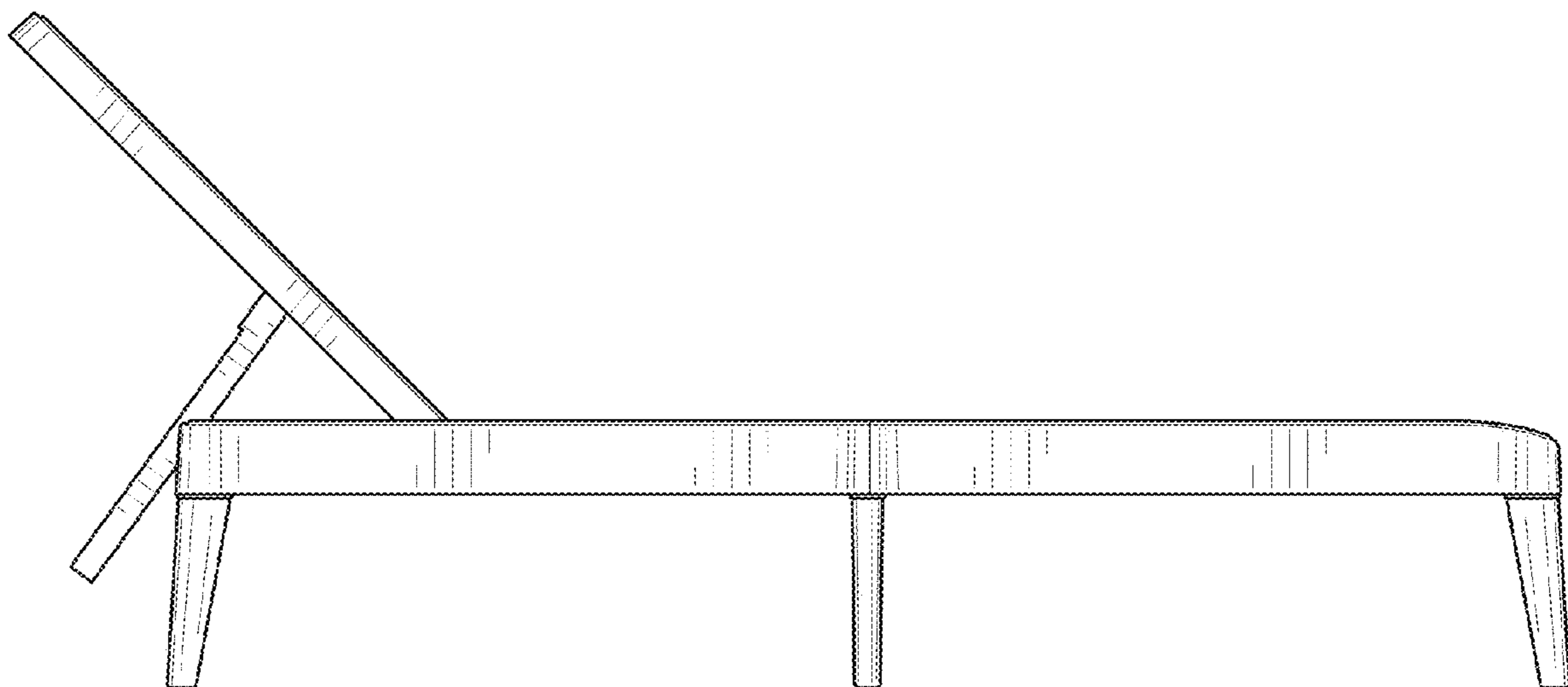


FIG. 5

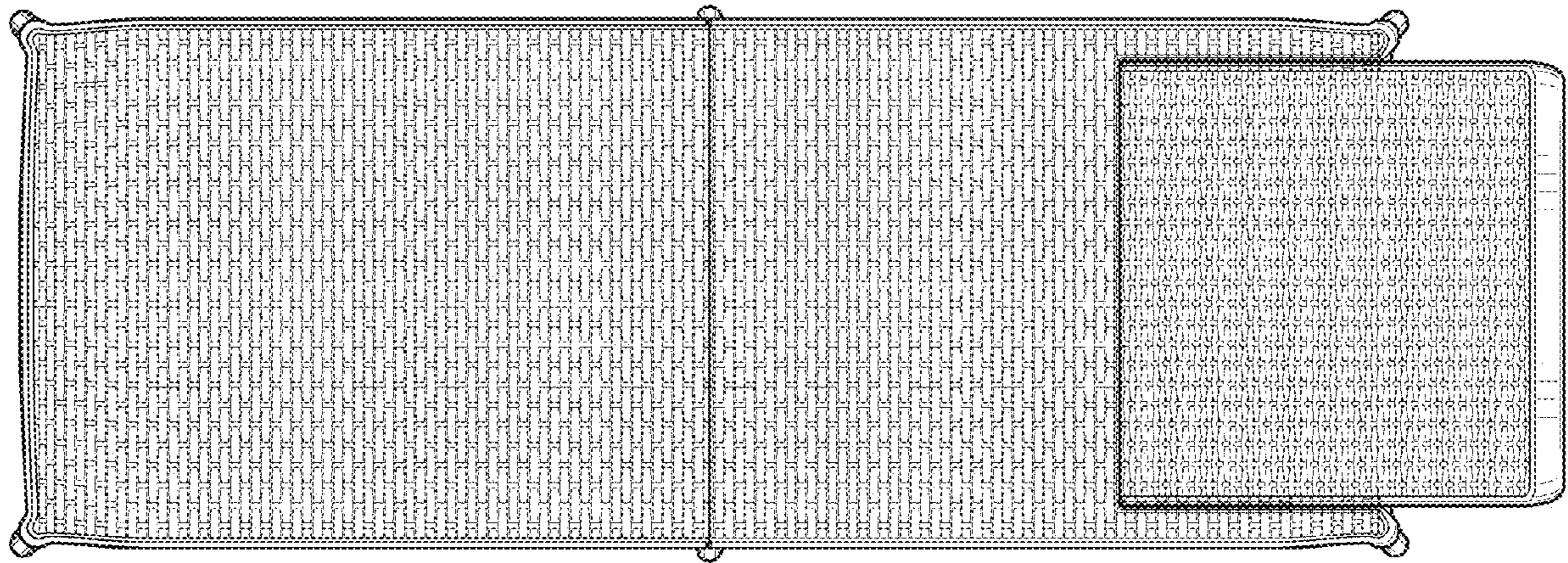


FIG. 6

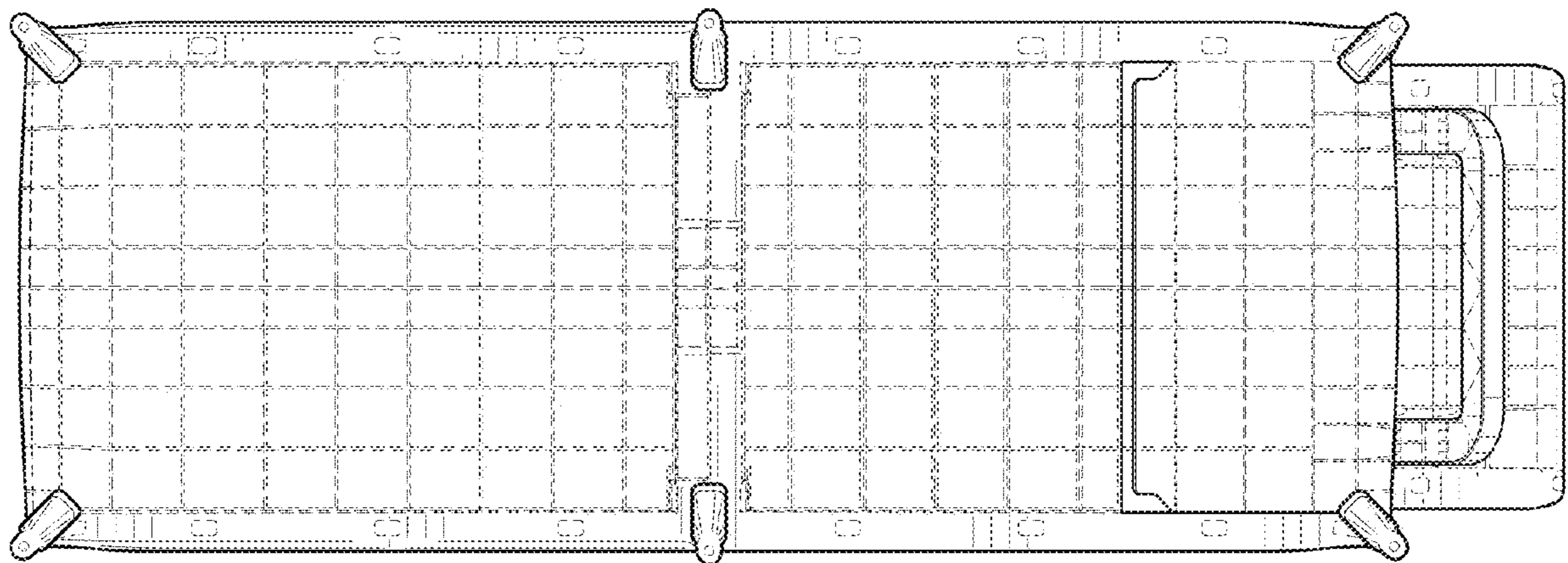


FIG. 7