



US00D957836S

(12) **United States Design Patent**
Ranco

(10) **Patent No.:** **US D957,836 S**
(45) **Date of Patent:** **** Jul. 19, 2022**

(54) **CHAIR**

(71) Applicant: **PLAST-MECCANICA SOCIETA' PER AZIONI**, Castelbellino (IT)

(72) Inventor: **Giuseppe Sandro Ranco**, Maiolati Spontini (IT)

(**) Term: **15 Years**

(21) Appl. No.: **29/752,541**

(22) Filed: **Sep. 28, 2020**

(51) **LOC (13) Cl.** **06-01**

(52) **U.S. Cl.**
USPC **D6/361**

(58) **Field of Classification Search**
USPC D6/360, 361, 367, 368, 369, 370, 382
CPC .. A47C 1/02; A47C 1/028; A47C 1/14; A47C 3/143; A47C 4/04; A47C 4/08; A47C 4/18; A47C 5/02
See application file for complete search history.

(56) **References Cited**

U.S. PATENT DOCUMENTS

1,738,137	A *	12/1929	Brady	A47C 17/22 5/17
4,844,540	A *	7/1989	Pegram	A47C 21/022 297/229
D308,769	S *	6/1990	Frinier	D6/361
D545,581	S *	7/2007	Gower	D6/361
D650,602	S *	12/2011	Massaud	D6/361
D657,969	S *	4/2012	Nguyen	D6/369
D707,049	S *	6/2014	Asner	D6/361
D720,144	S *	12/2014	Valette	D6/361
D802,313	S *	11/2017	Bernardi	D6/361

D855,342	S *	8/2019	Lievore	D6/361
D923,348	S *	6/2021	Xiao	D6/361
2019/0145153	A1 *	5/2019	Edelman	A47C 1/143 297/188.01
2021/0007474	A1 *	1/2021	Nye	A47B 9/14

OTHER PUBLICATIONS

Amazon.com. <https://www.amazon.com/Outdoor-Chaise-Lounge-Finished-Aluminum/dp/B07CGVMJWQ>. "Christopher Knight Home Belle Outdoor Mesh Chaise Lounges". Date Unknown: Viewed May 2022 (Year: 2022).*

* cited by examiner

Primary Examiner — R. Johnson
(74) *Attorney, Agent, or Firm* — Egbert, McDaniel & Swartz, PLLC

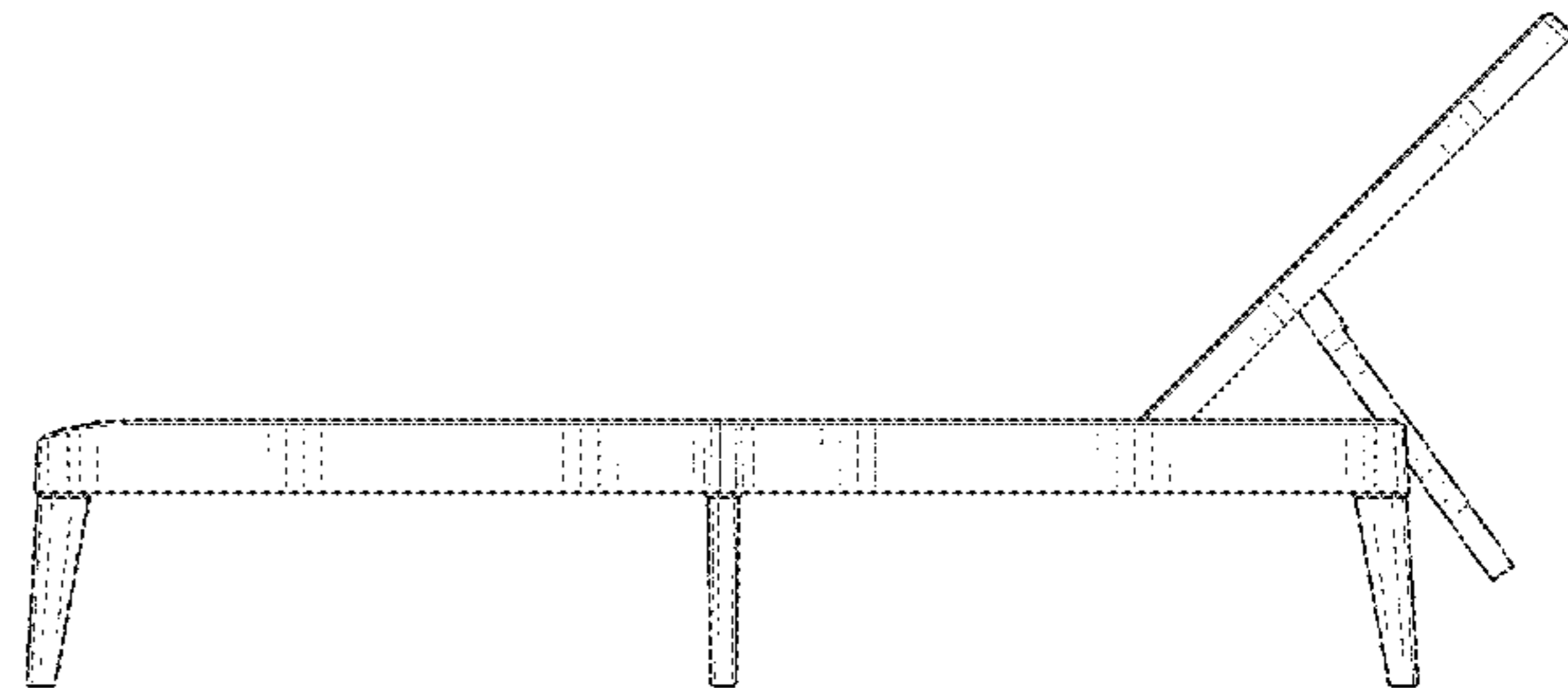
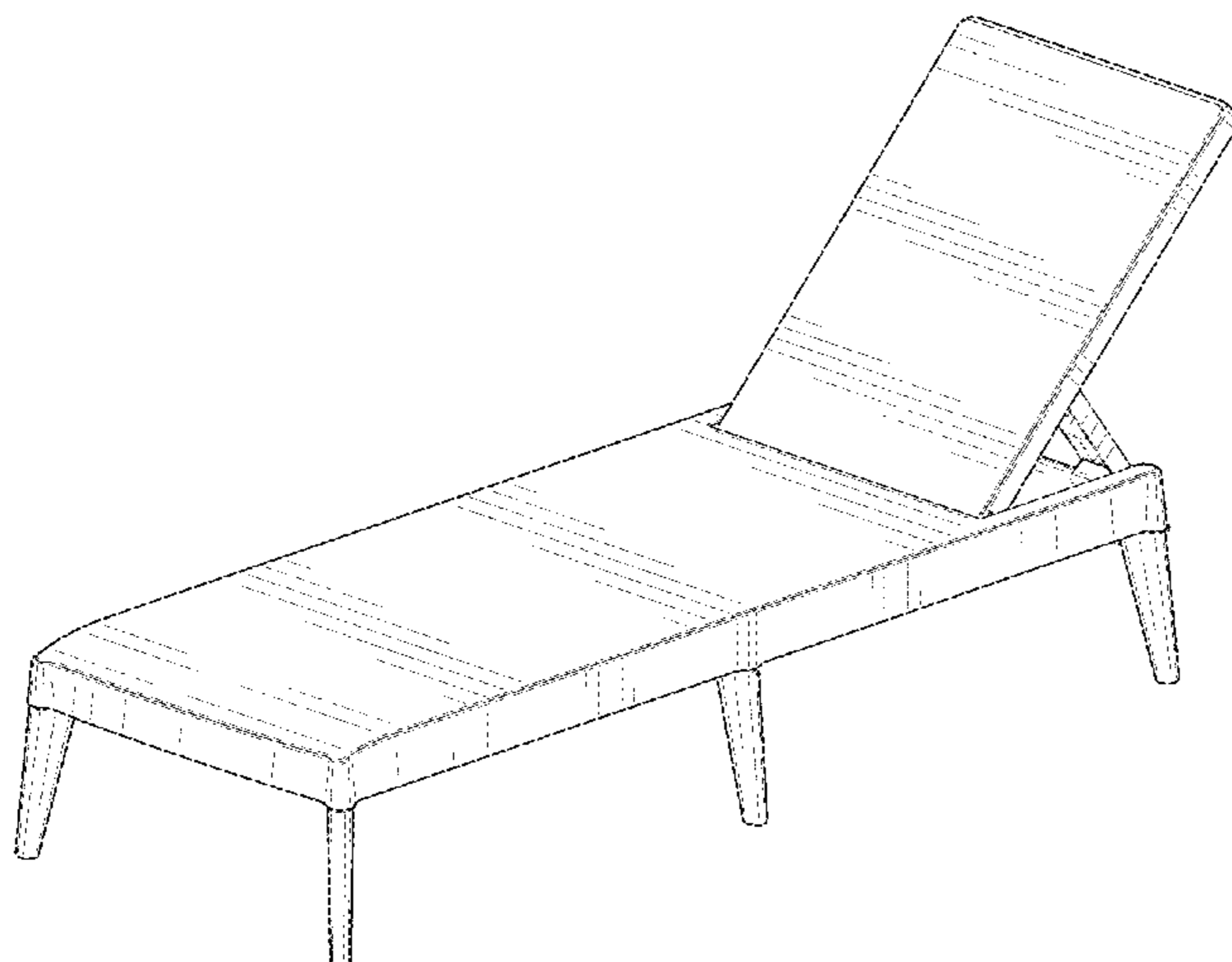
(57) **CLAIM**

The ornamental design for a chair, as shown and described.

DESCRIPTION

FIG. 1 is a perspective view of a chair showing my new design.
FIG. 2 is a front view thereof;
FIG. 3 is a rear view thereof;
FIG. 4 is a side view thereof;
FIG. 5 is an opposite side view thereof;
FIG. 6 is a top view thereof; and,
FIG. 7 is a bottom view thereof.
The features presented in broken lines illustrate portions of the chair that form no part of the claimed design.

1 Claim, 3 Drawing Sheets



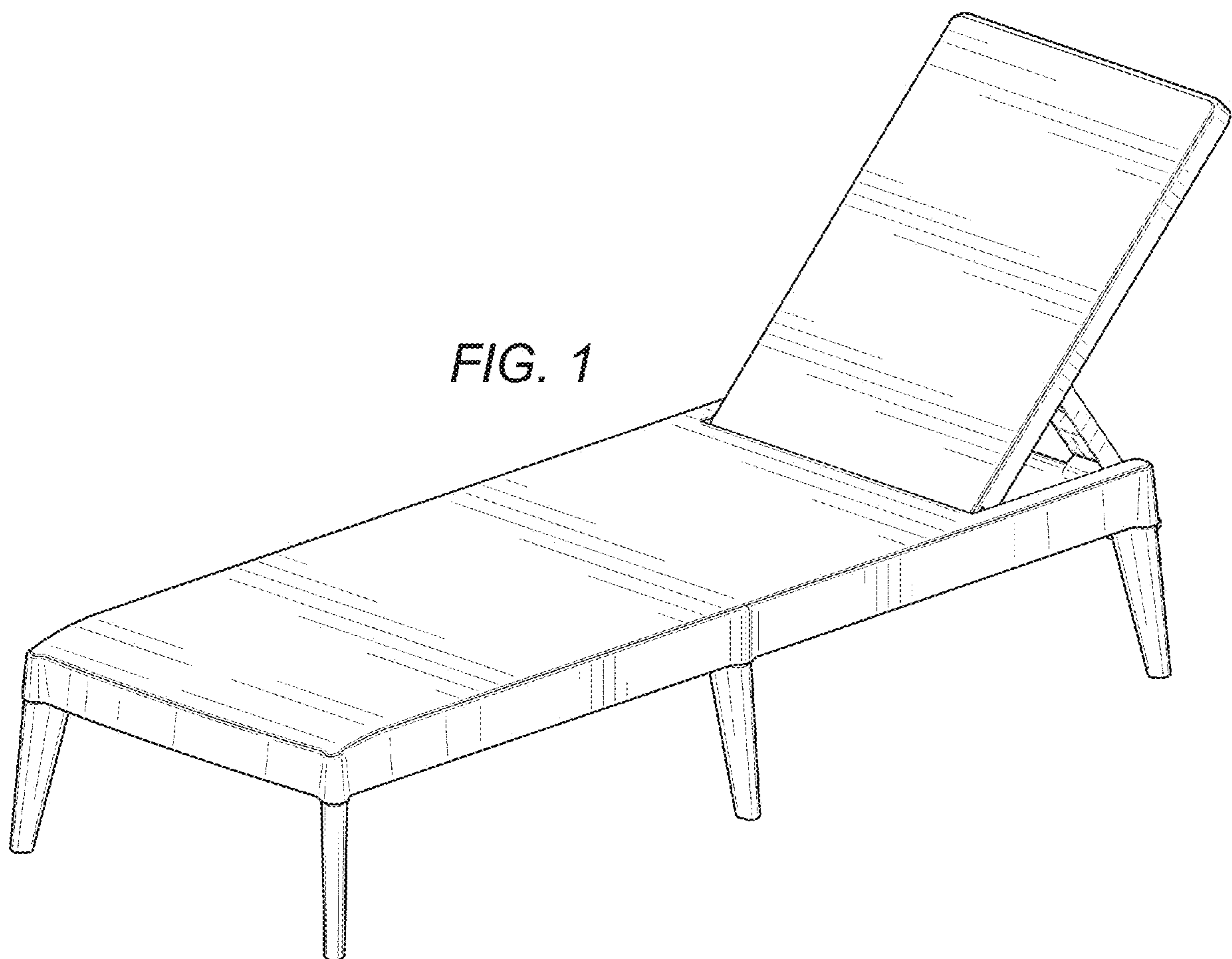
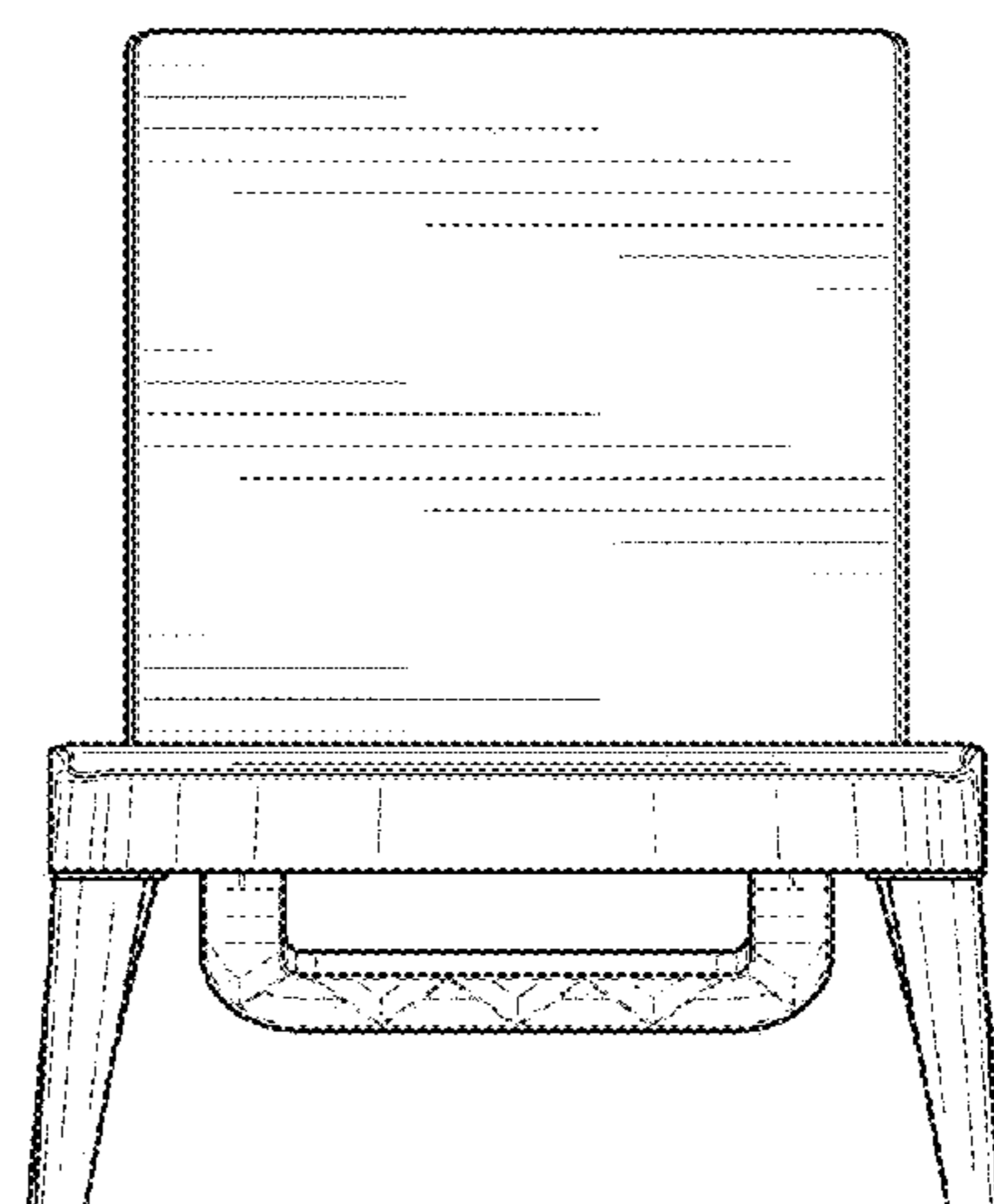


FIG. 2



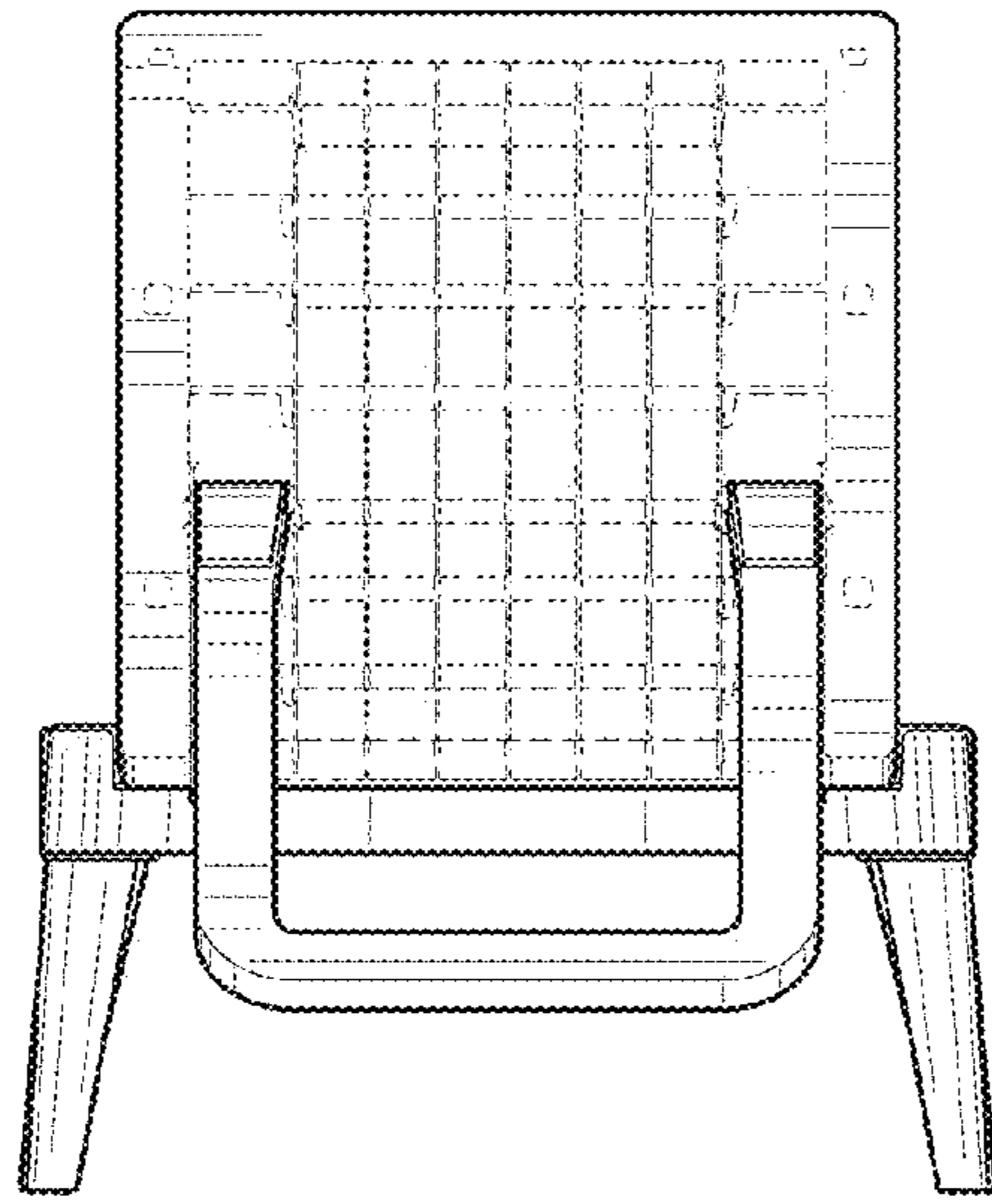


FIG. 3

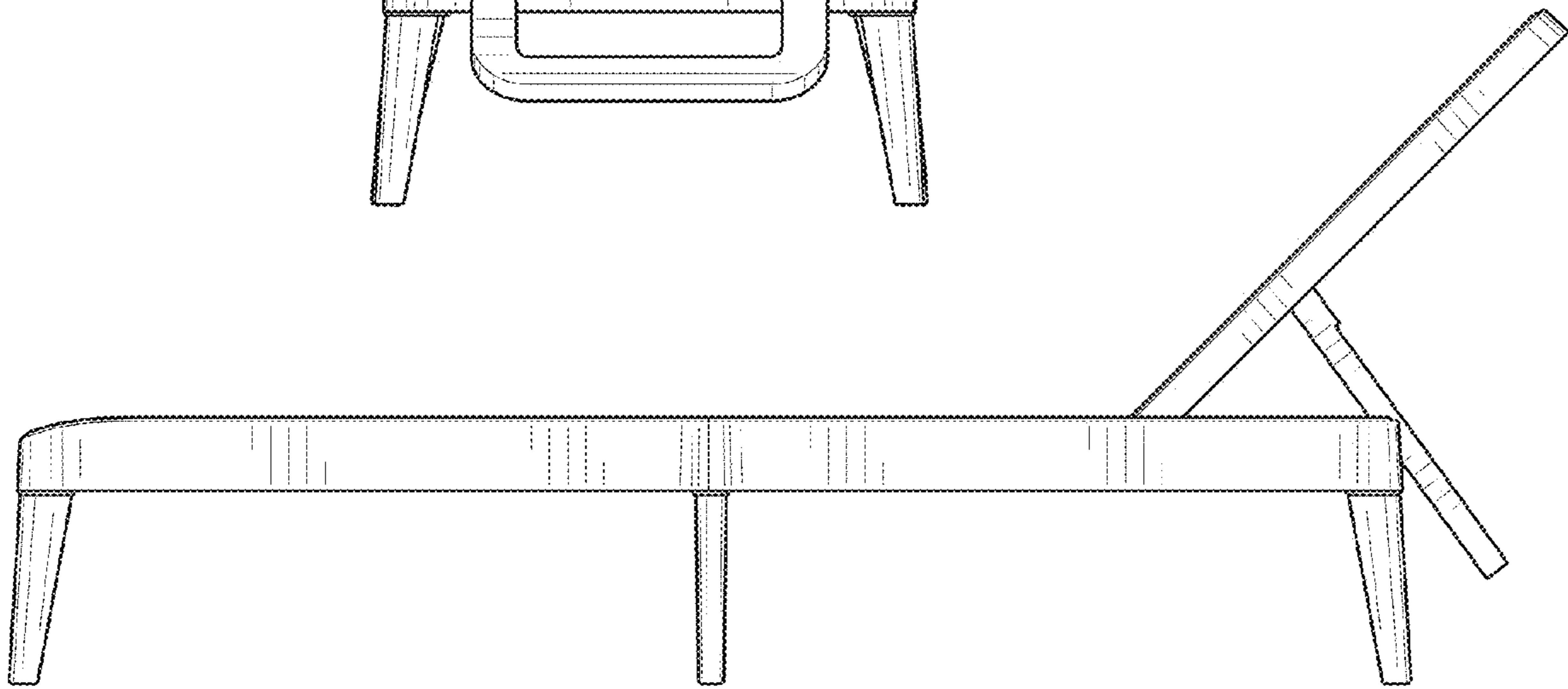


FIG. 4

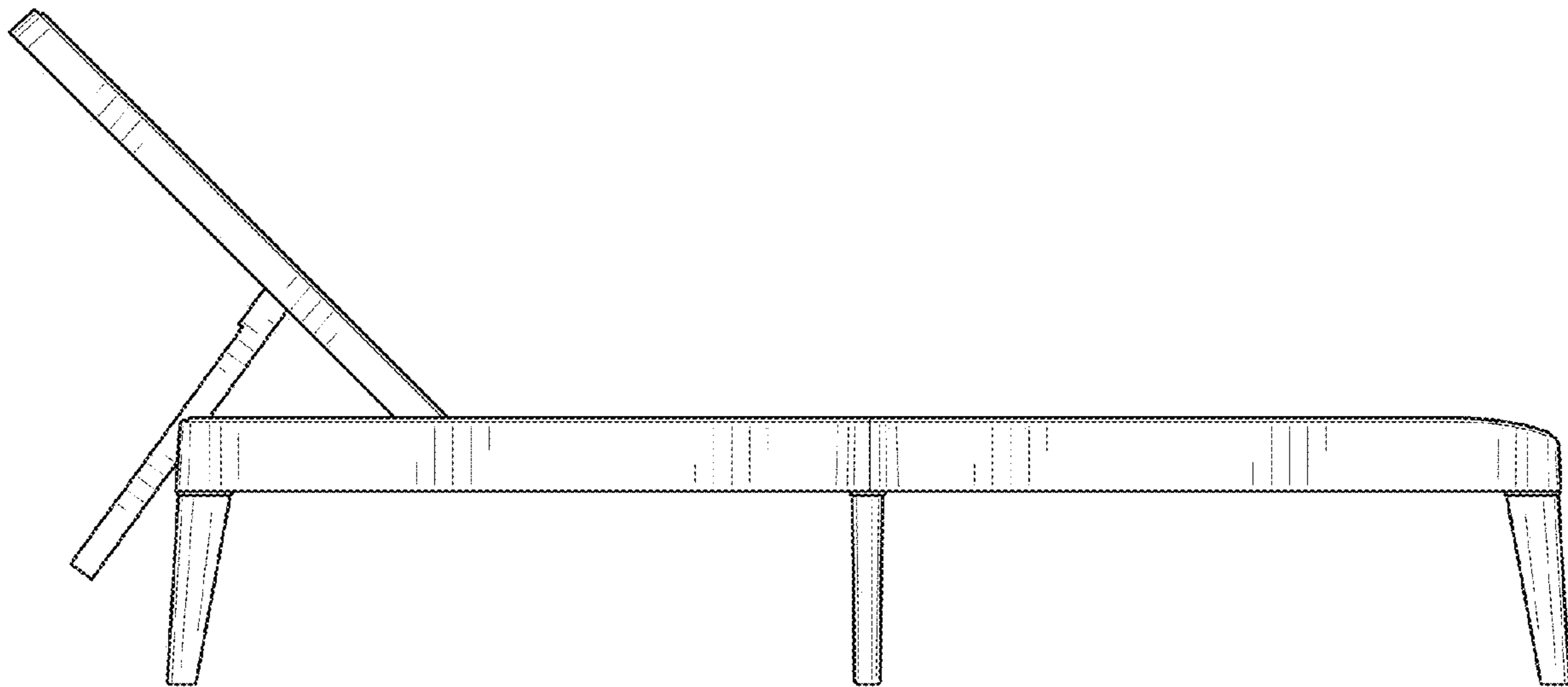


FIG. 5

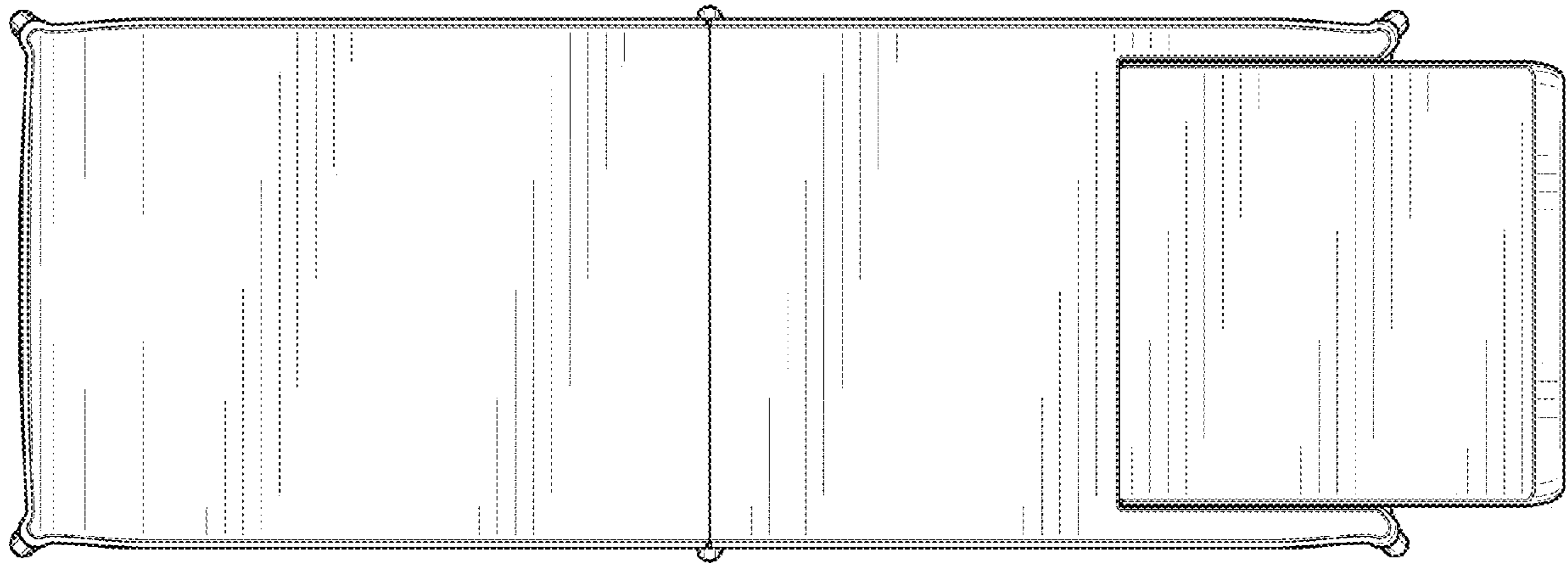


FIG. 6

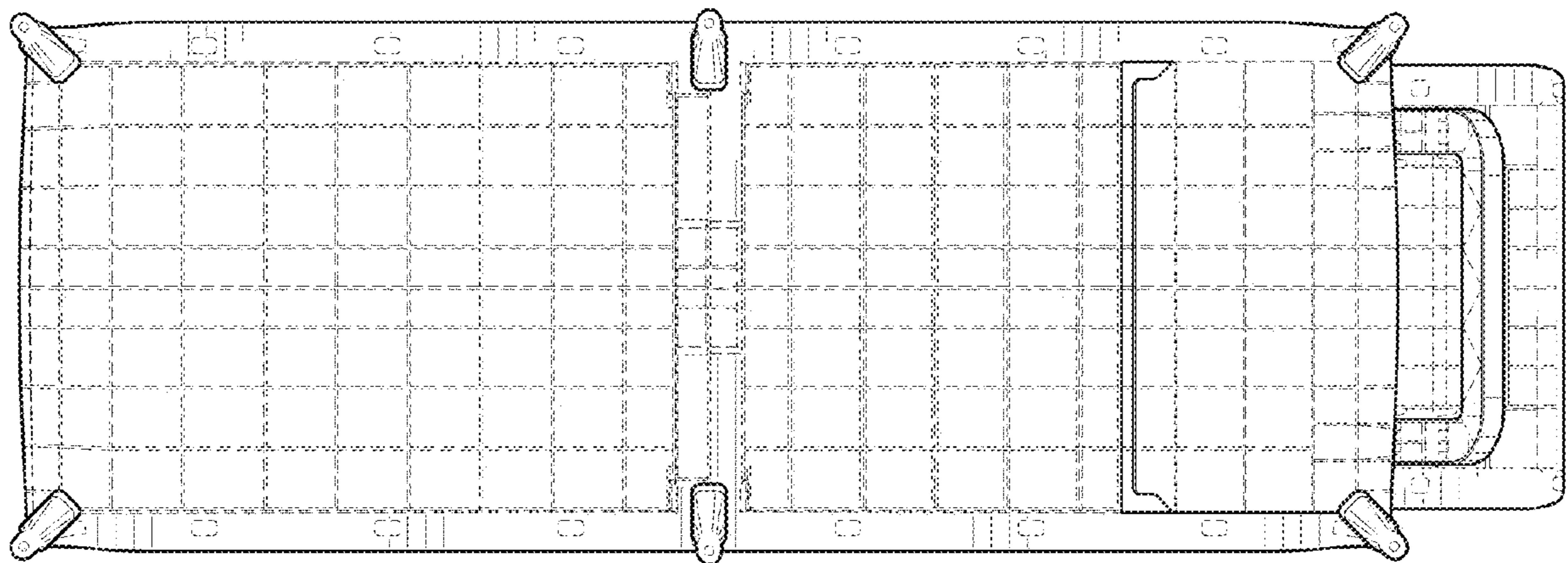


FIG. 7