



US00D957832S

(12) **United States Design Patent** (10) **Patent No.:** **US D957,832 S**  
**Andersen et al.** (45) **Date of Patent:** **\*\* Jul. 19, 2022**

(54) **SOFA**  
(71) Applicant: **Innovation U.S.A., Inc.**, Mission Viejo, CA (US)  
(72) Inventors: **Per Weiss Andersen**, Randers (DK); **Emil Højfeldt**, Randers (DK)  
(73) Assignee: **Innovation U.S.A., Inc.**, Mission Viejo, CA (US)

D698,179 S \* 1/2014 Nguyen ..... D6/381  
D720,944 S \* 1/2015 Barber ..... D6/381  
D737,070 S \* 8/2015 Sonmez ..... D6/381  
D807,660 S \* 1/2018 Hughes ..... D6/381  
D874,837 S \* 2/2020 Andersen ..... D6/335  
D876,141 S \* 2/2020 Wilson ..... D6/716.4

**FOREIGN PATENT DOCUMENTS**

EM 008536635-0002 \* 5/2021  
WO D201905-056 \* 10/2018

(\*\*) Term: **15 Years**  
(21) Appl. No.: **29/740,311**  
(22) Filed: **Jul. 2, 2020**

**OTHER PUBLICATIONS**

Innovationliving instagram post—Salla sofa bed [online], [site visited Jul. 29, 2021]. Available from internet, URL: <<https://www.instagram.com/p/CEbqYLcBJL8/>> (Year: 2020).\*

(Continued)

(30) **Foreign Application Priority Data**

Jan. 10, 2020 (EM) ..... 007497425-0009

(51) **LOC (13) Cl.** ..... **06-01**  
(52) **U.S. Cl.**  
USPC ..... **D6/335**

*Primary Examiner* — Cynthia Ramirez  
*Assistant Examiner* — Xavier Marti-Santos  
(74) *Attorney, Agent, or Firm* — Miles & Stockbridge P.C.; David R. Schaffer

(58) **Field of Classification Search**  
USPC ..... D6/334–336, 349, 369, 377, 379, 381  
CPC ..... A47C 17/00; A47C 17/02; A47C 17/04;  
A47C 17/045; A47C 17/12; A47C 17/13;  
A47C 17/132; A47C 17/134; A47C  
17/136; A47C 17/16; A47C 17/162; A47C  
17/17; A47C 17/18; A47C 17/86  
See application file for complete search history.

(57) **CLAIM**

The ornamental design for a sofa, as shown and described.

**DESCRIPTION**

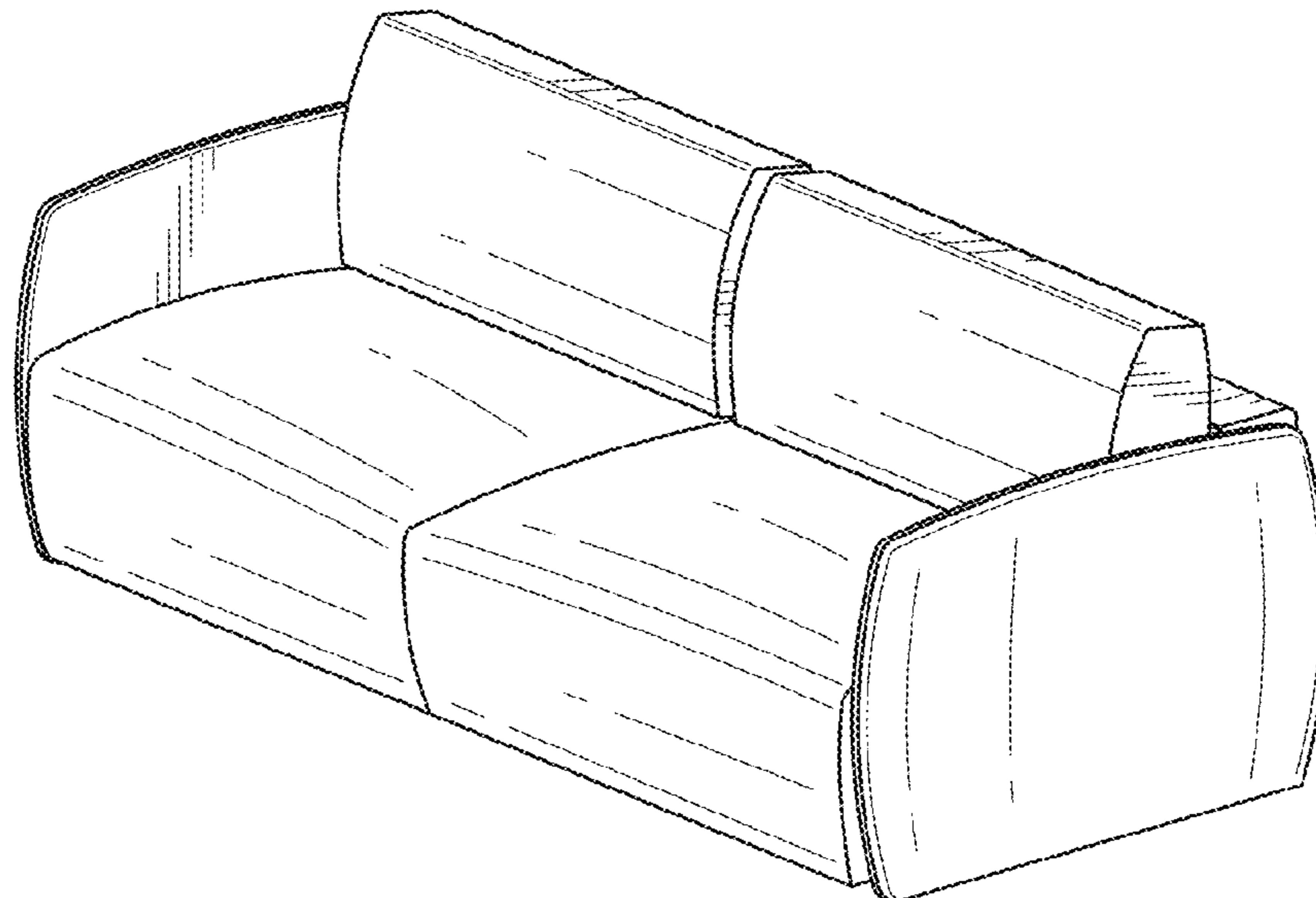
(56) **References Cited**

**U.S. PATENT DOCUMENTS**

D489,195 S \* 5/2004 Natuzzi ..... D6/381  
D541,074 S \* 4/2007 Natuzzi ..... D6/381  
D552,867 S \* 10/2007 Natuzzi ..... D6/381  
D590,171 S \* 4/2009 Natuzzi ..... D6/381  
D590,179 S \* 4/2009 Natuzzi ..... D6/381  
D591,073 S \* 4/2009 Natuzzi ..... D6/381  
D592,882 S \* 5/2009 Natuzzi ..... D6/381

FIG. 1 is a right front perspective view of a sofa showing my new design;  
FIG. 2 is a top plain view thereof;  
FIG. 3 is a right rear perspective view thereof;  
FIG. 4 is a right front perspective exploded view, shown in the reclined position thereof;  
FIG. 5 is a front elevational view, shown in the non-reclined position thereof;  
FIG. 6 is a rear elevational view thereof; and,  
FIG. 7 is a left elevational view thereof, the right side elevation being a mirror image.

**1 Claim, 3 Drawing Sheets**



(56)

**References Cited**

OTHER PUBLICATIONS

Salla Sofa Bed [online], [site visited Jul. 29, 2021]. Available from internet, URL: <<https://www.innovationliving.com/products/by-type/sofa-beds/product-details/salla-sofa-bed?fabric=317-Cordufine-Rust>> (Year: 2021).\*

\* cited by examiner

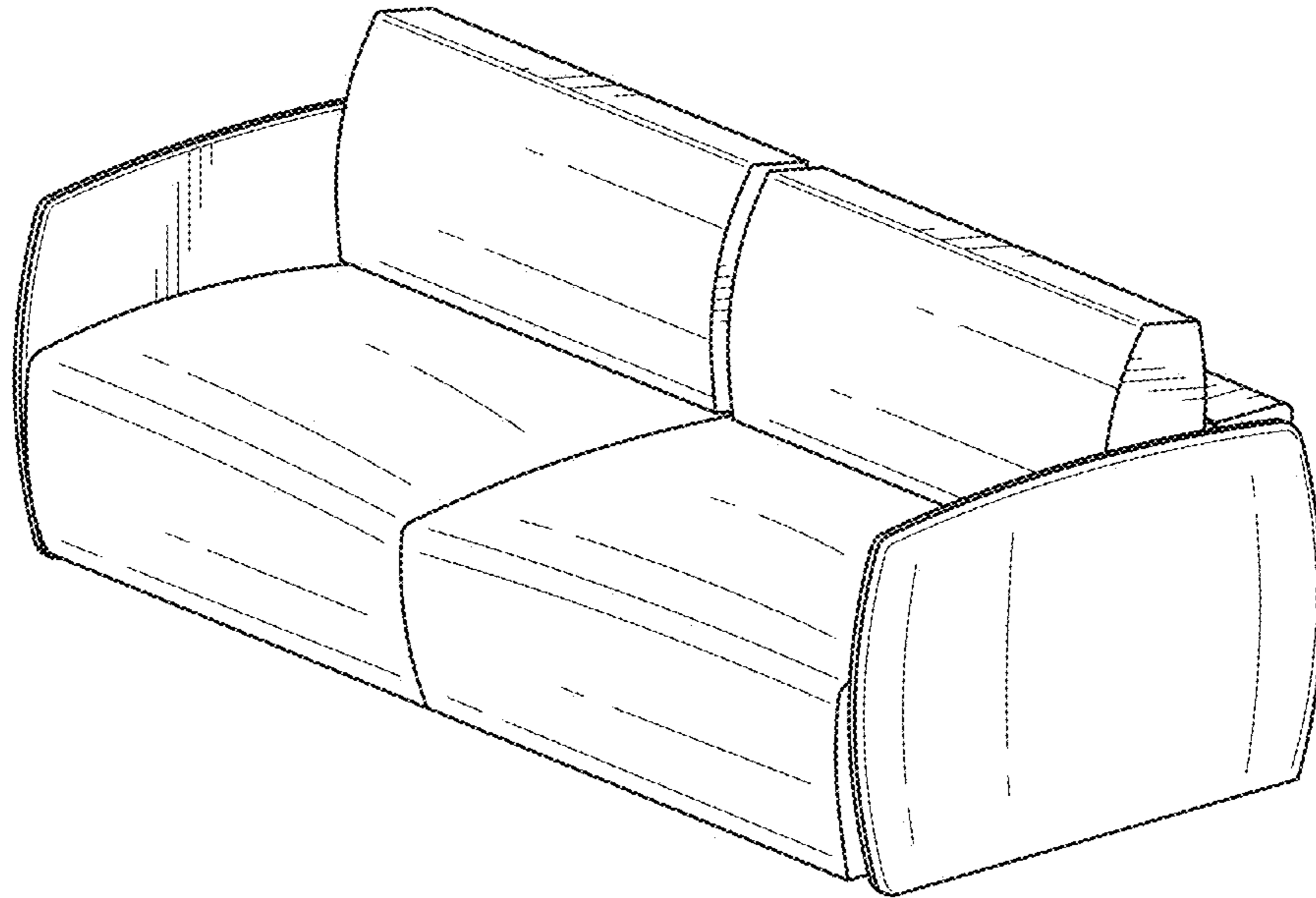


FIG. 1

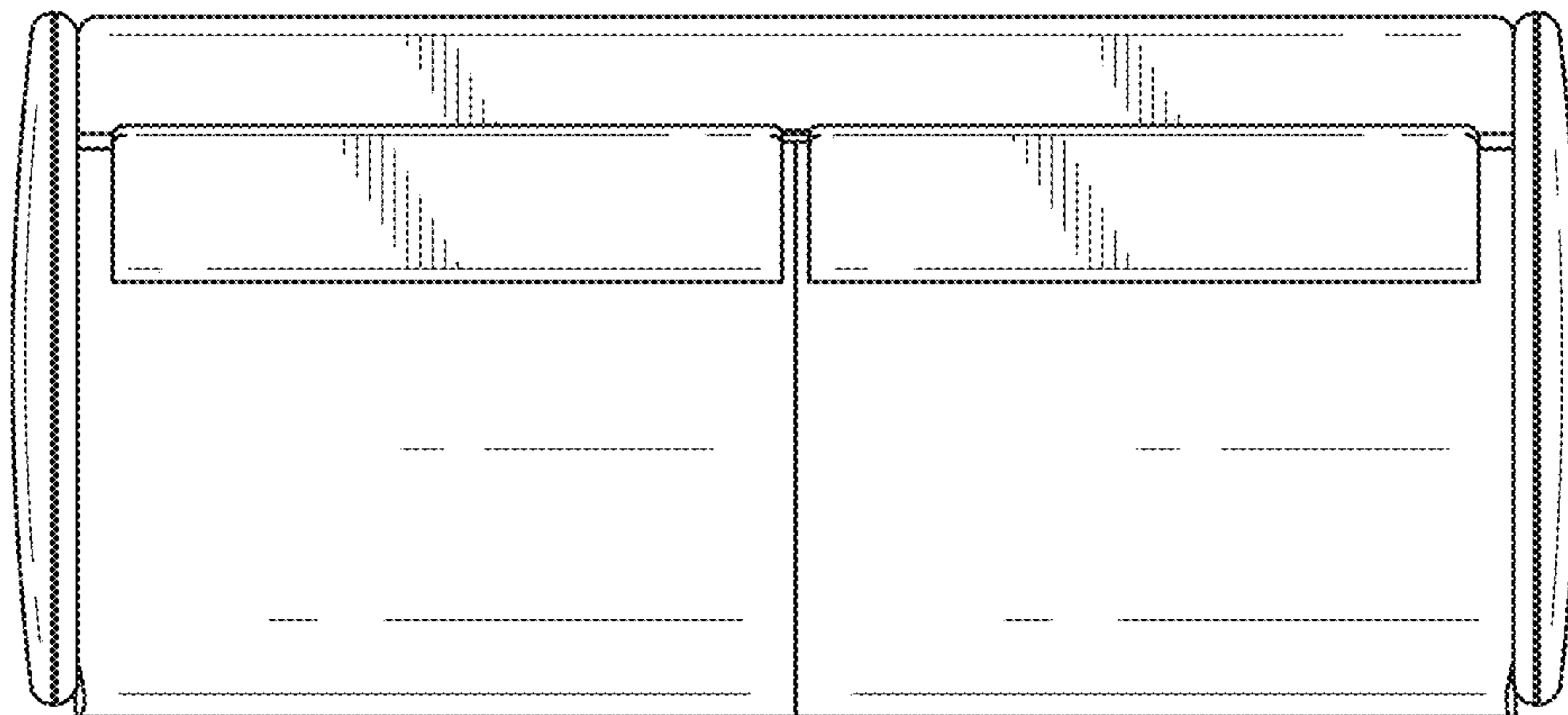


FIG. 2

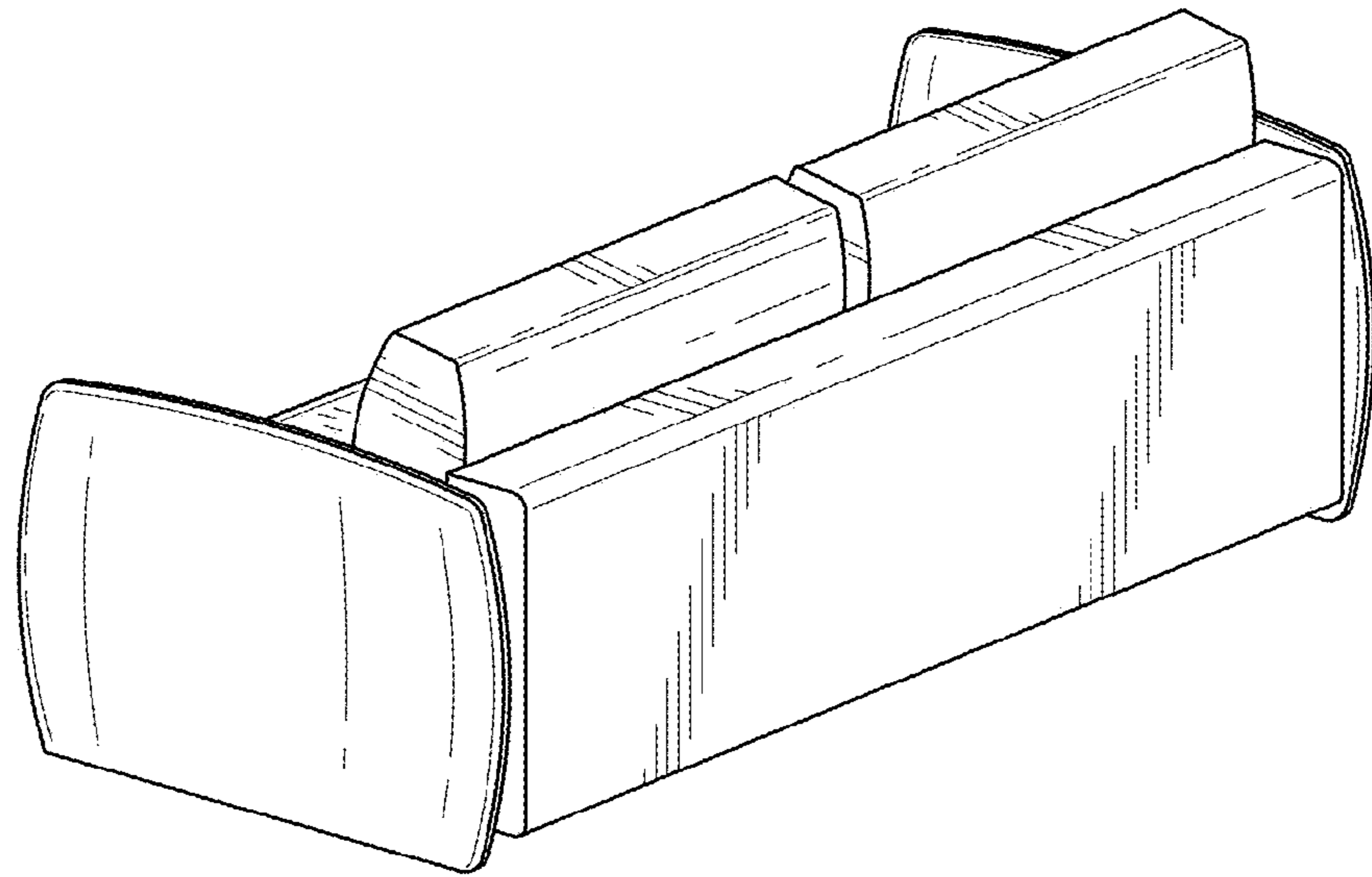


FIG. 3

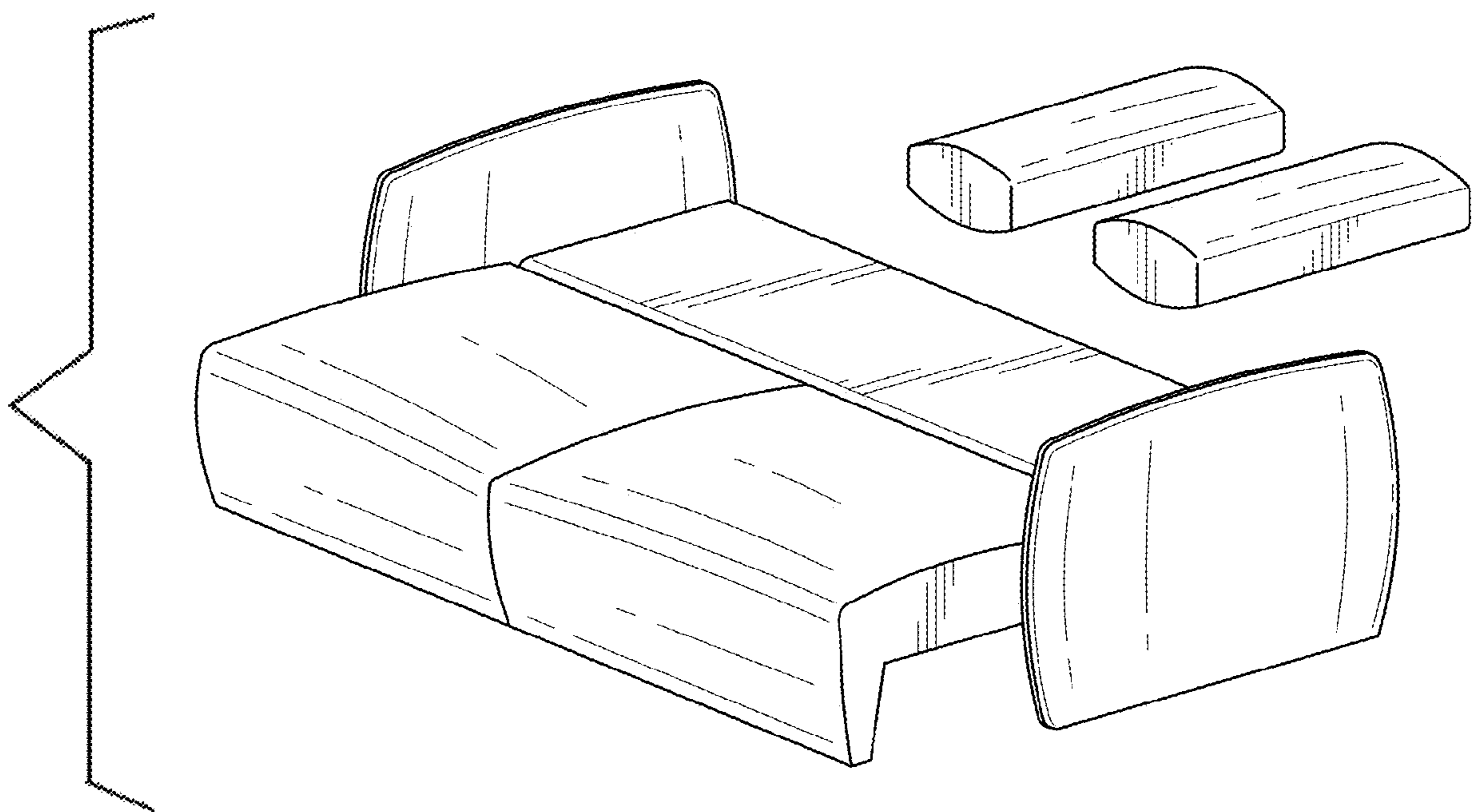


FIG. 4

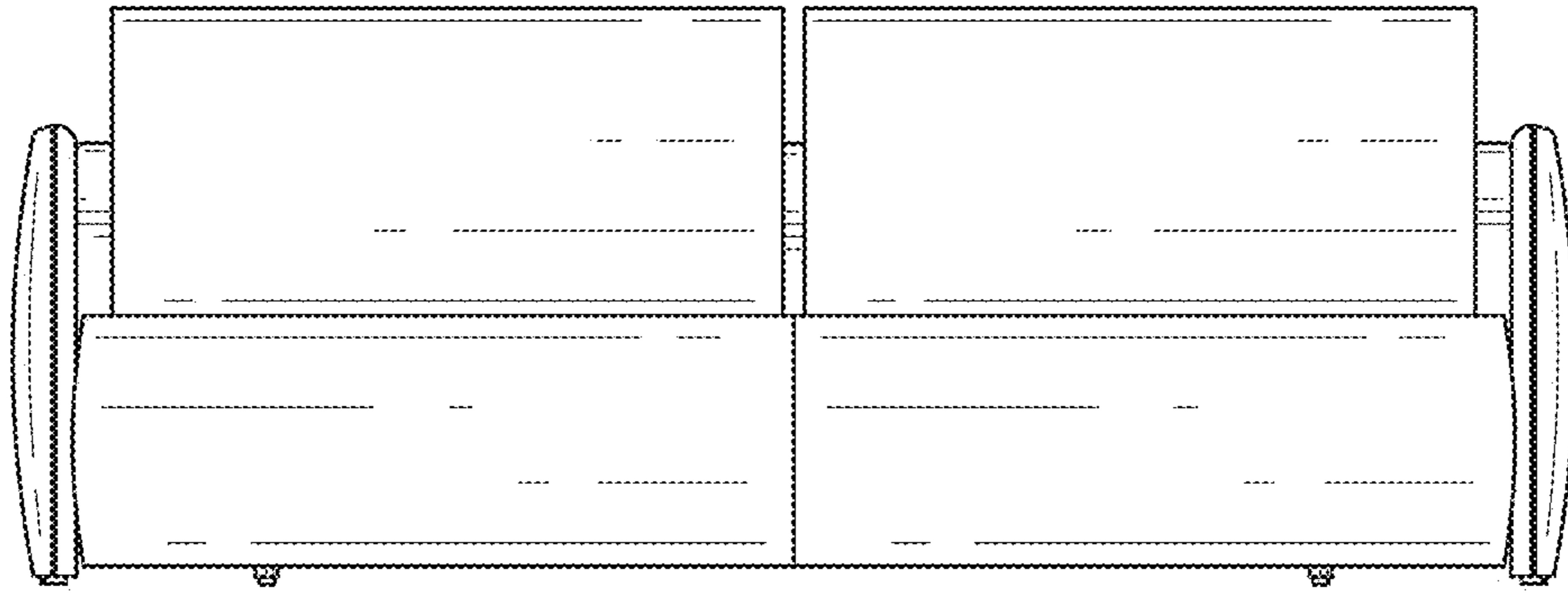


FIG. 5

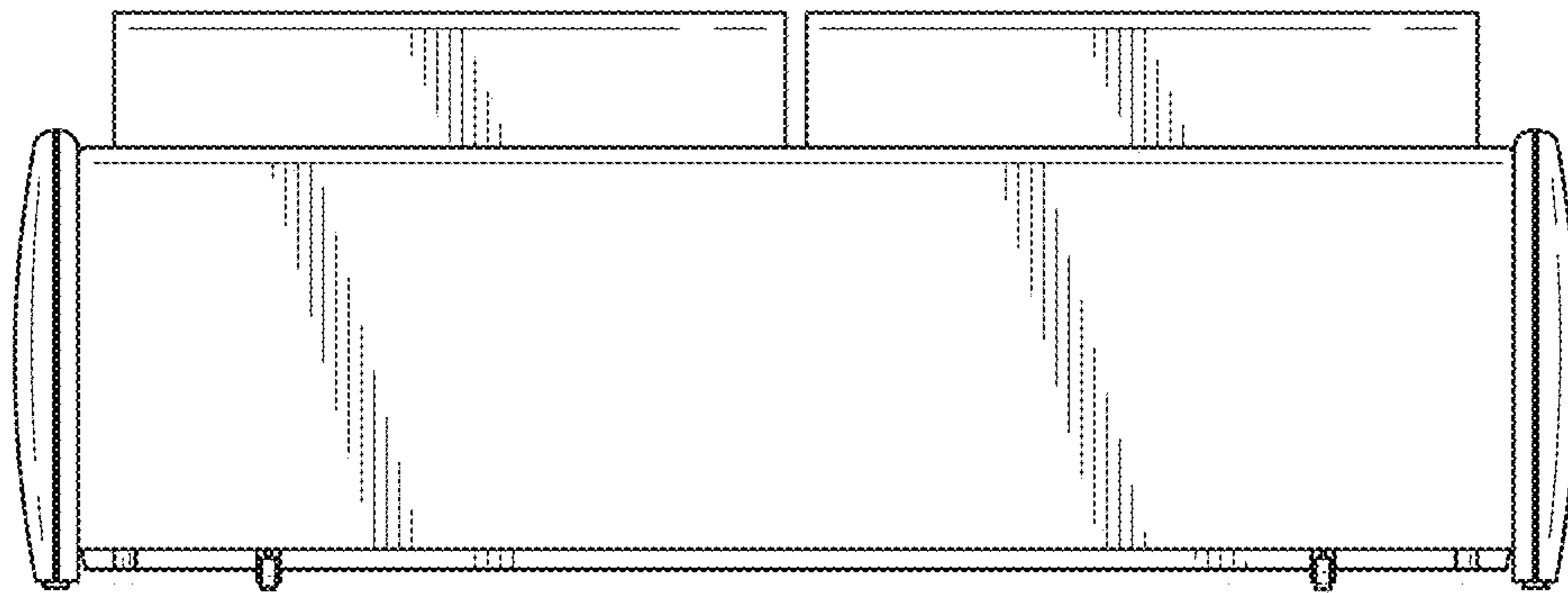


FIG. 6

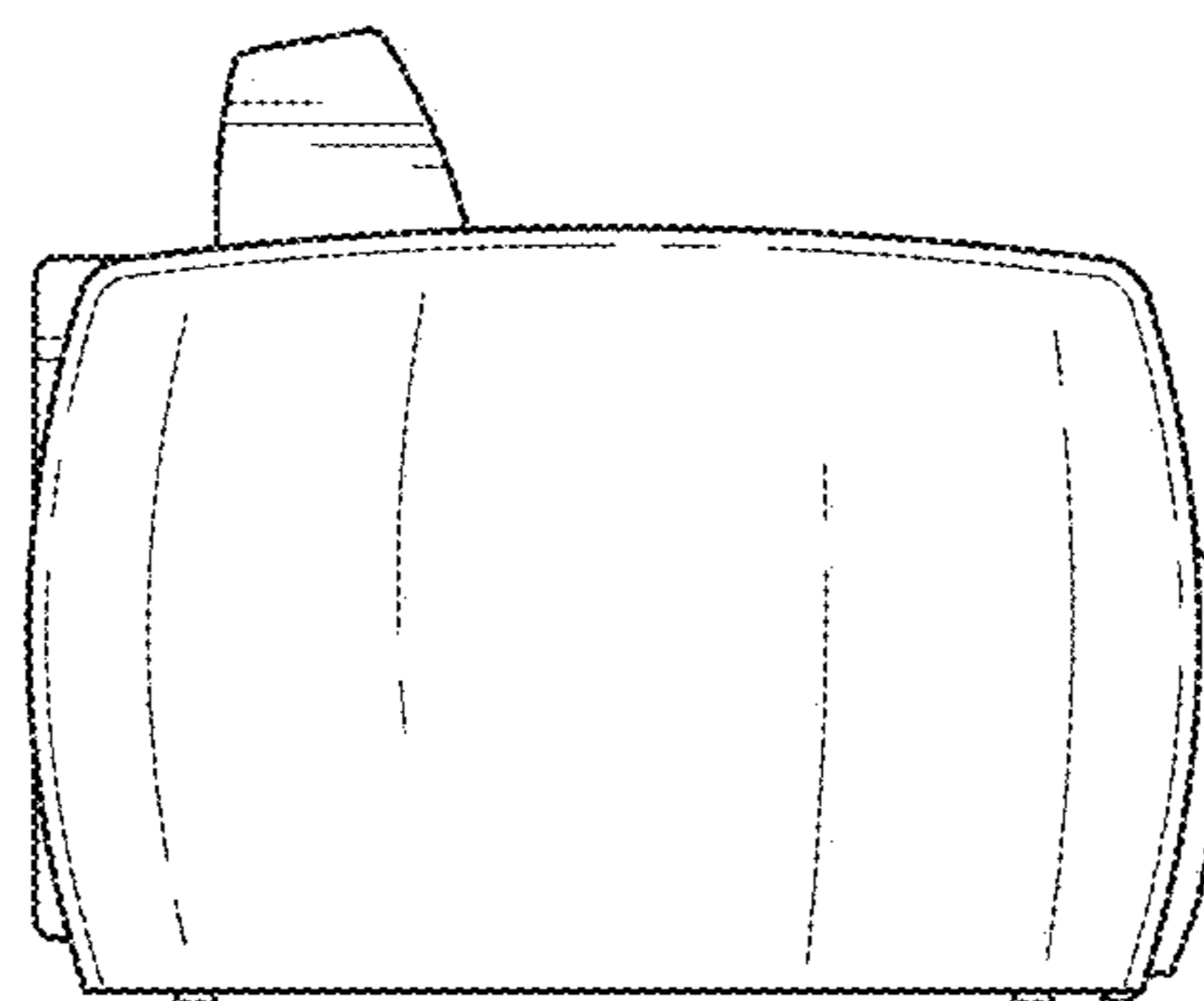


FIG. 7