



US00D957831S

(12) **United States Design Patent** (10) **Patent No.:** **US D957,831 S**  
**Andersen** (45) **Date of Patent:** **\*\* Jul. 19, 2022**

(54) **SOFA**  
(71) Applicant: **Innovation U.S.A., Inc.**, Mission Viejo, CA (US)  
(72) Inventor: **Per Weiss Andersen**, Randers (DK)  
(73) Assignee: **Innovation U.S.A., Inc.**, Mission Viejo, CA (US)  
(\*\*) Term: **15 Years**  
(21) Appl. No.: **29/740,301**  
(22) Filed: **Jul. 2, 2020**

D904,773 S \* 12/2020 Kanthasamy ..... D6/335  
D905,454 S \* 12/2020 Kanthasamy ..... D6/335  
D915,085 S \* 4/2021 Kanthasamy ..... D6/336  
D915,086 S \* 4/2021 Kanthasamy ..... D6/336  
(Continued)

**FOREIGN PATENT DOCUMENTS**

CN 109907574 \* 6/2019

**OTHER PUBLICATIONS**

Innovationliving Instagram post [online], [site visited Jul. 29, 2021]. Available from internet, URL: <[https://www.instagram.com/p/CBTH\\_-ohJp4/](https://www.instagram.com/p/CBTH_-ohJp4/)> (Year: 2020).\*

(Continued)

(30) **Foreign Application Priority Data**

Jan. 10, 2020 (EM) ..... 007497425-0005

(51) **LOC (13) Cl.** ..... **06-01**  
(52) **U.S. Cl.**  
USPC ..... **D6/335**

(58) **Field of Classification Search**  
USPC ..... D6/334-336, 349, 369, 377, 379, 381  
CPC ..... A47C 17/00; A47C 17/02; A47C 17/04;  
A47C 17/045; A47C 17/12; A47C 17/13;  
A47C 17/132; A47C 17/134; A47C  
17/136; A47C 17/16; A47C 17/162; A47C  
17/17; A47C 17/18; A47C 17/86  
See application file for complete search history.

(56) **References Cited**

**U.S. PATENT DOCUMENTS**

D172,812 S \* 8/1954 Spound ..... F16C 29/02  
D6/381  
D541,074 S \* 4/2007 Natuzzi ..... D6/381  
D719,754 S \* 12/2014 Pathiratne ..... D6/381  
D720,943 S \* 1/2015 Pathiratne ..... D6/381  
D720,944 S \* 1/2015 Barber ..... D6/381  
D807,654 S \* 1/2018 Li ..... D6/335  
D883,698 S \* 5/2020 Carter ..... D6/381  
D904,772 S \* 12/2020 Kanthasamy ..... D6/335

*Primary Examiner* — Cynthia Ramirez  
*Assistant Examiner* — Xavier Marti-Santos  
(74) *Attorney, Agent, or Firm* — Miles & Stockbridge  
P.C.; David R. Schaffer

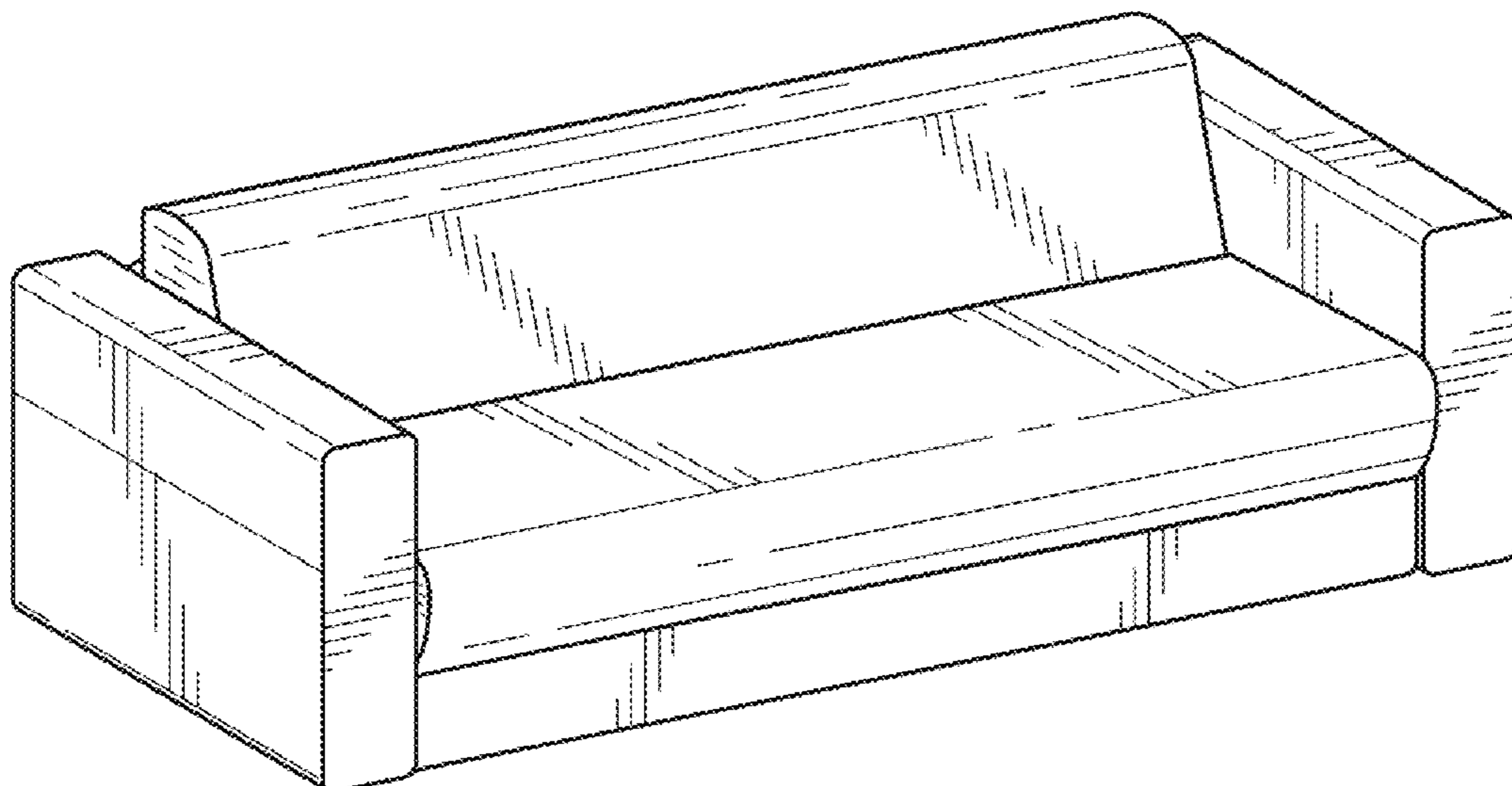
(57) **CLAIM**

The ornamental design for a sofa, as shown and described.

**DESCRIPTION**

FIG. 1 is a left front perspective view of a sofa showing my new design;  
FIG. 2 is a front elevational view thereof;  
FIG. 3 is a top plan view thereof;  
FIG. 4 is a left front perspective view, shown in the reclined position thereof;  
FIG. 5 is a left elevational view, shown in the non-reclined position thereof, the right side elevation being a mirror image;  
FIG. 6 is a right rear perspective view, shown in the reclined position thereof; and,  
FIG. 7 is a right rear prospective view, shown in the non-reclined position thereof.

**1 Claim, 3 Drawing Sheets**



(56)

**References Cited**

U.S. PATENT DOCUMENTS

2018/0335082 A1\* 11/2018 Andersson ..... F16C 29/02

OTHER PUBLICATIONS

Indivi Sofa Bed [online], [site visited Aug. 4, 2021]. Available from internet, URL: <<https://www.boconcept.com/en-us/indivi/4206094SL332310.html>> (Year: 2021).\*

Killian 140 Sofa Bed [online], [site visited Jul. 29, 2021]. Available from internet, URL: <<https://www.innovationliving.com/products/by-type/sofa-beds/product-details/killian-140-sofa-bed-spring-mattress?fabric=586-Phobos-Latte>> (Year: 2021).\*

\* cited by examiner

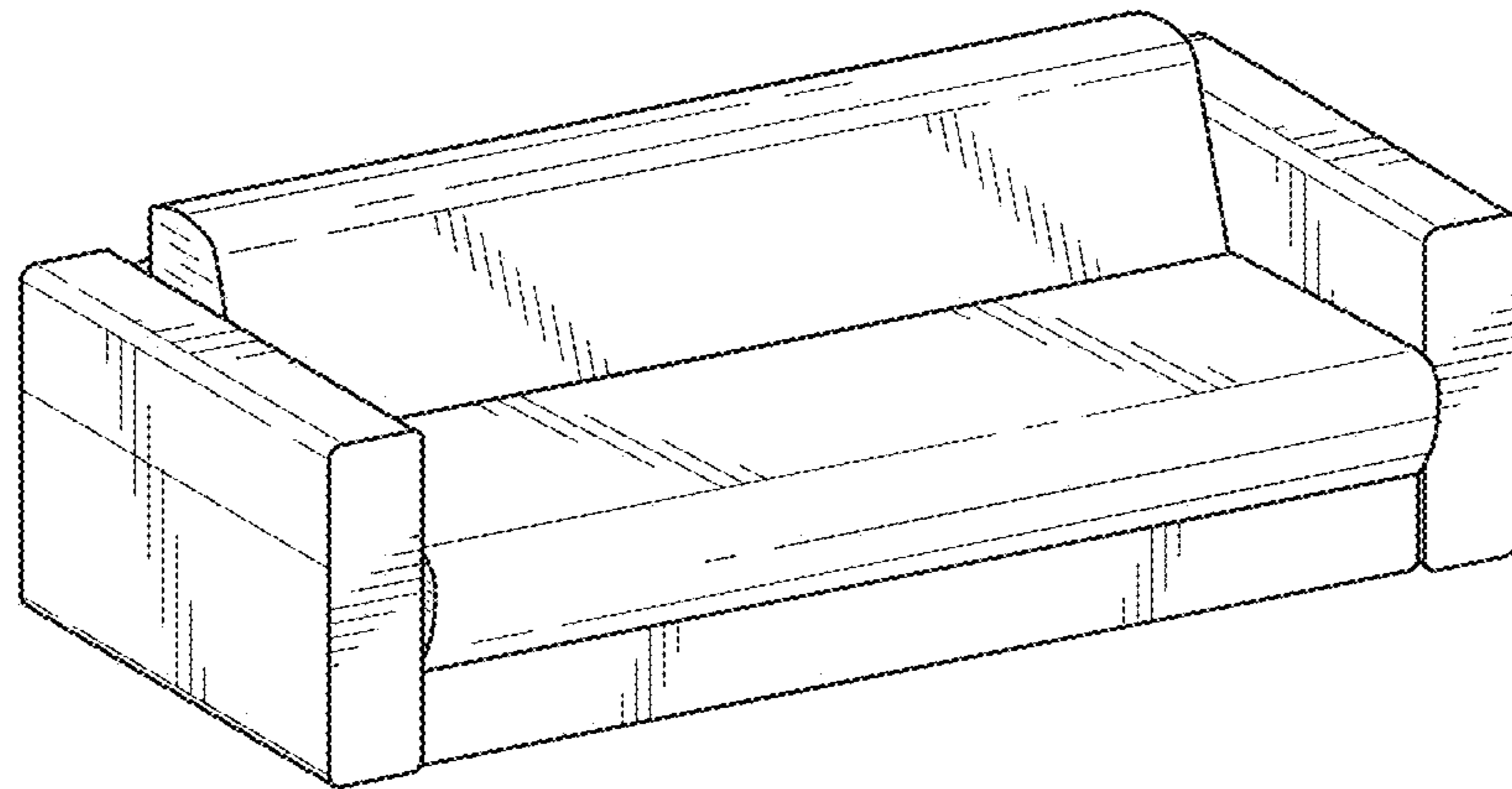


FIG. 1

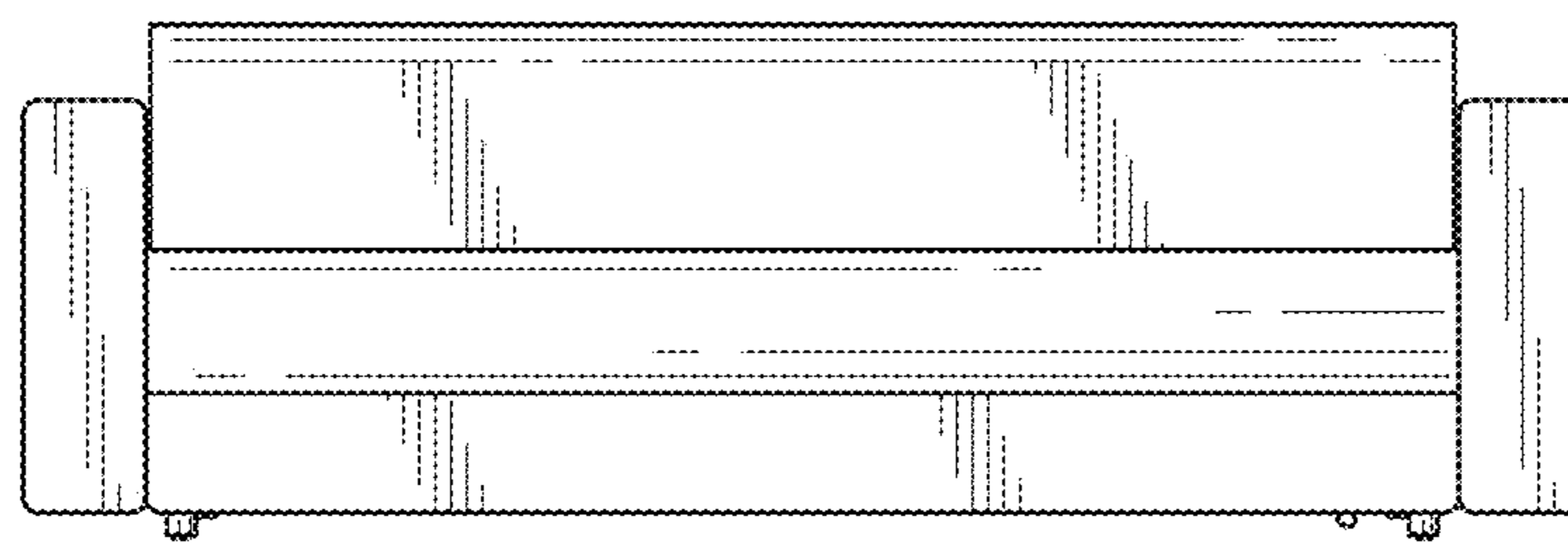


FIG. 2

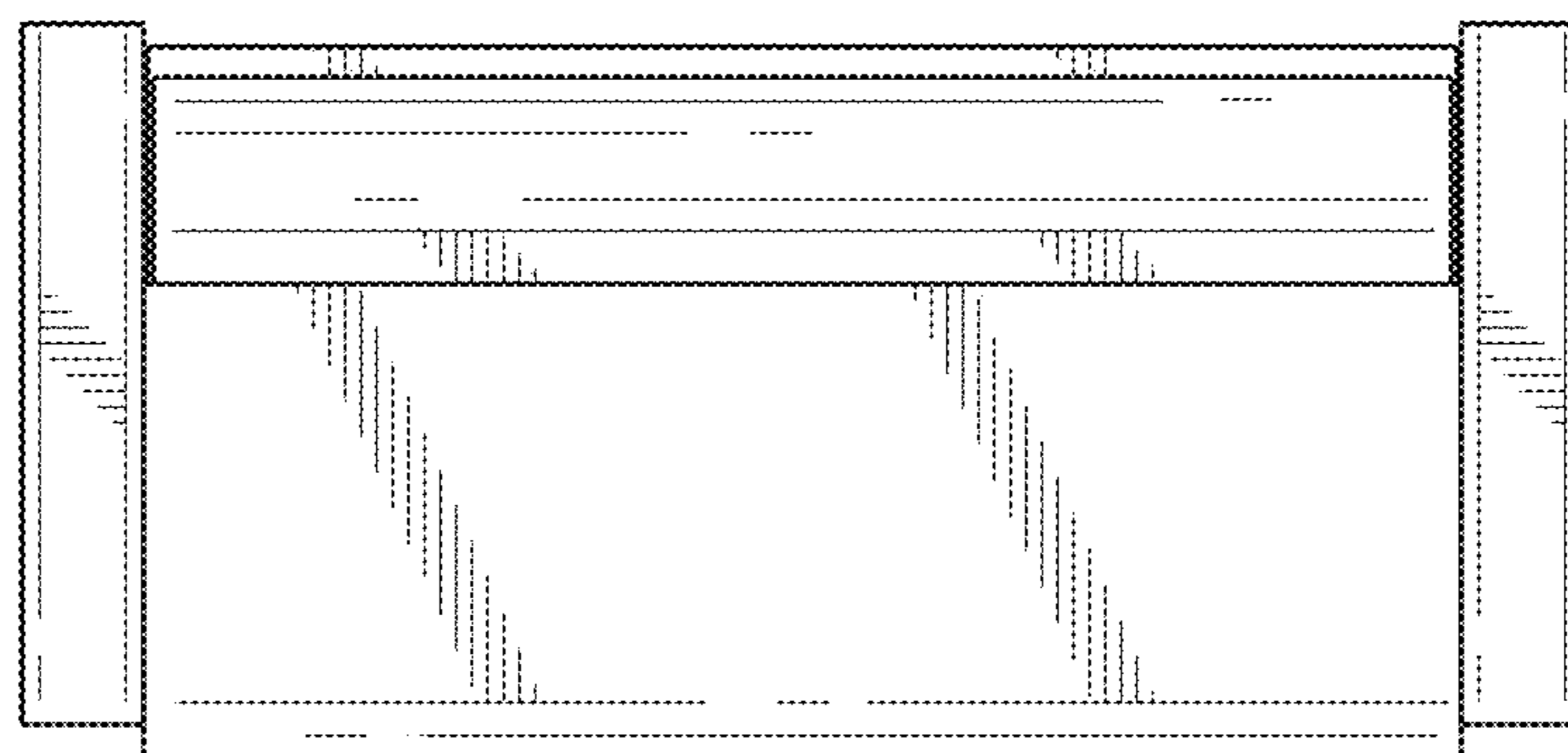


FIG. 3

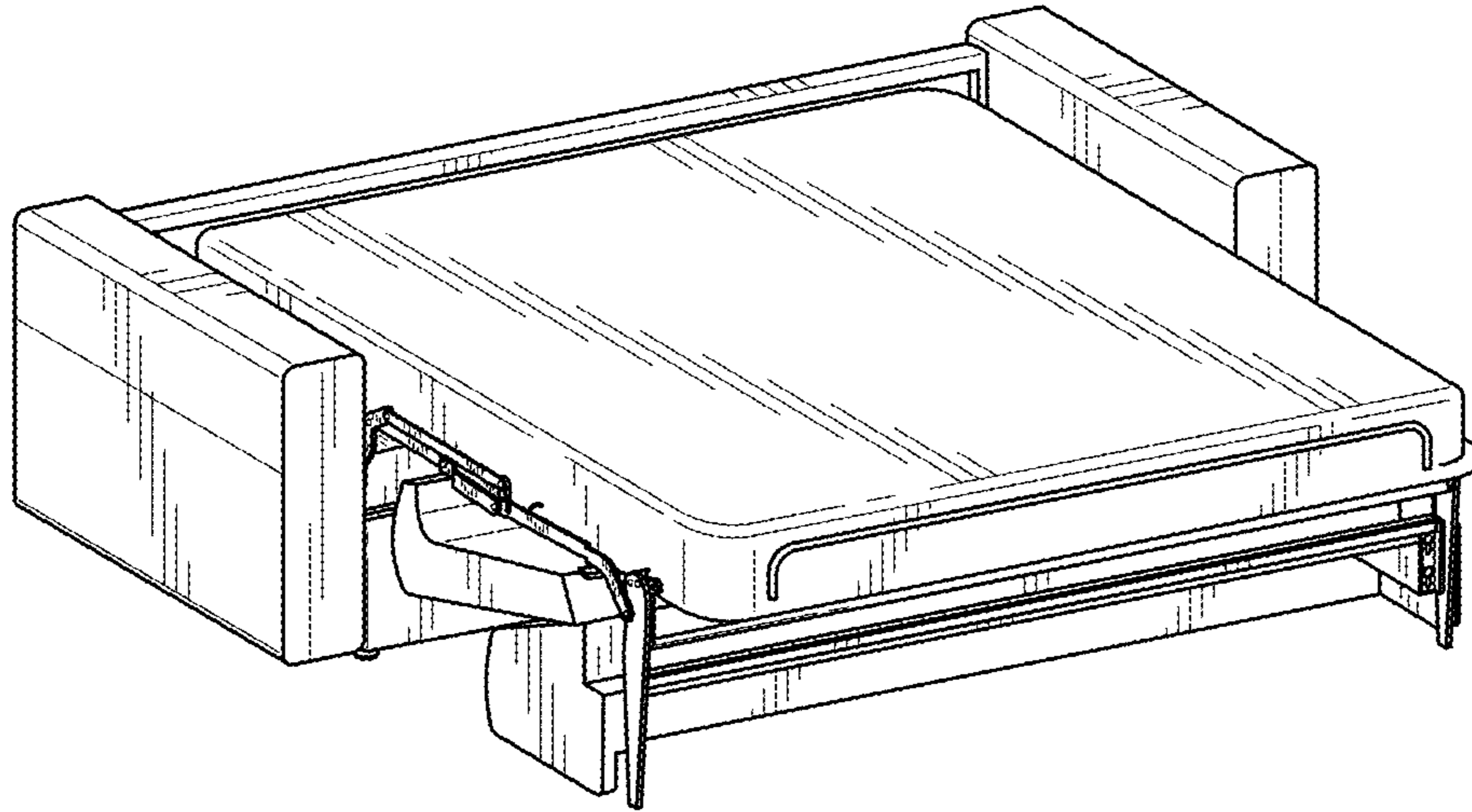


FIG. 4

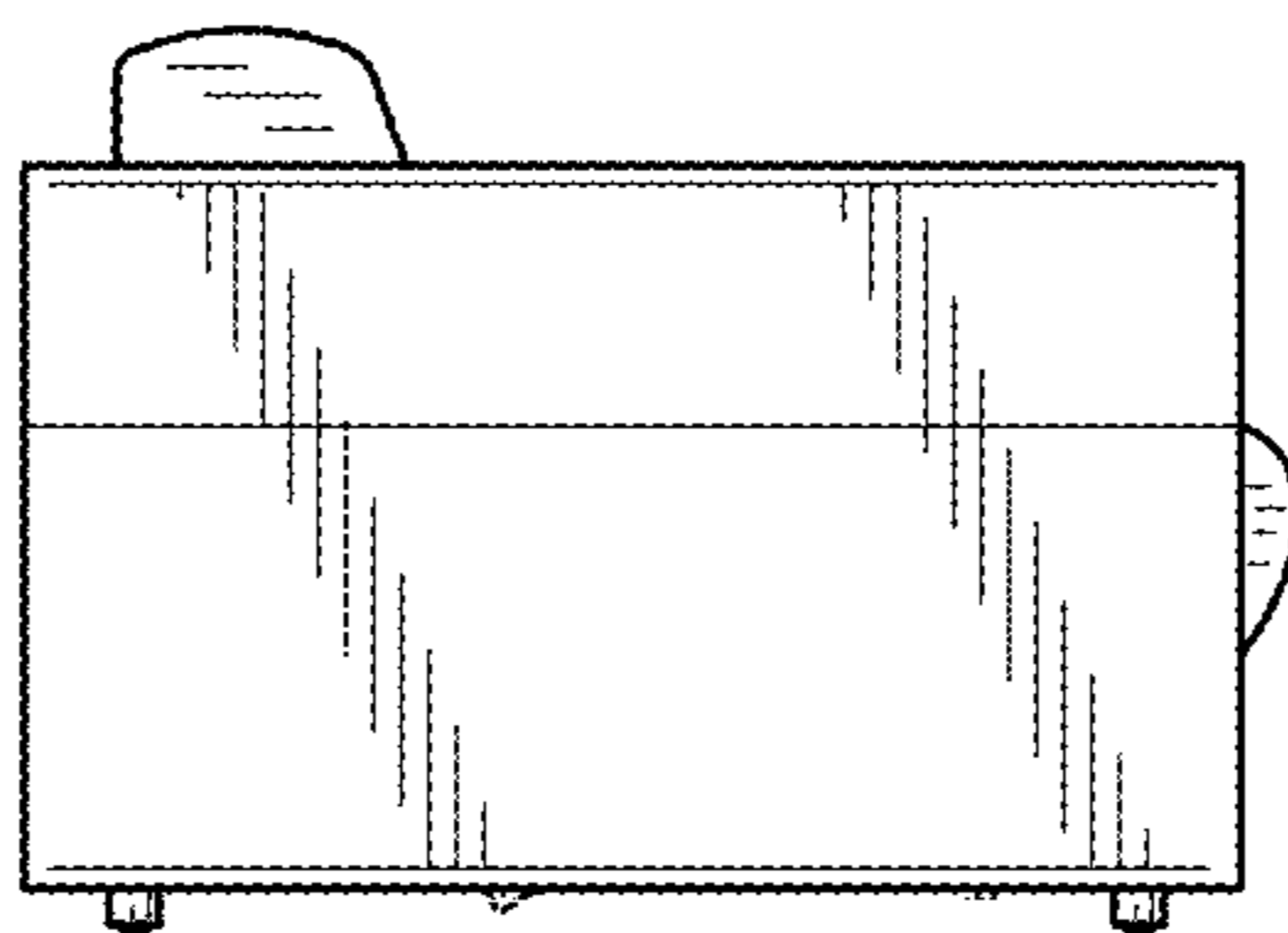


FIG. 5

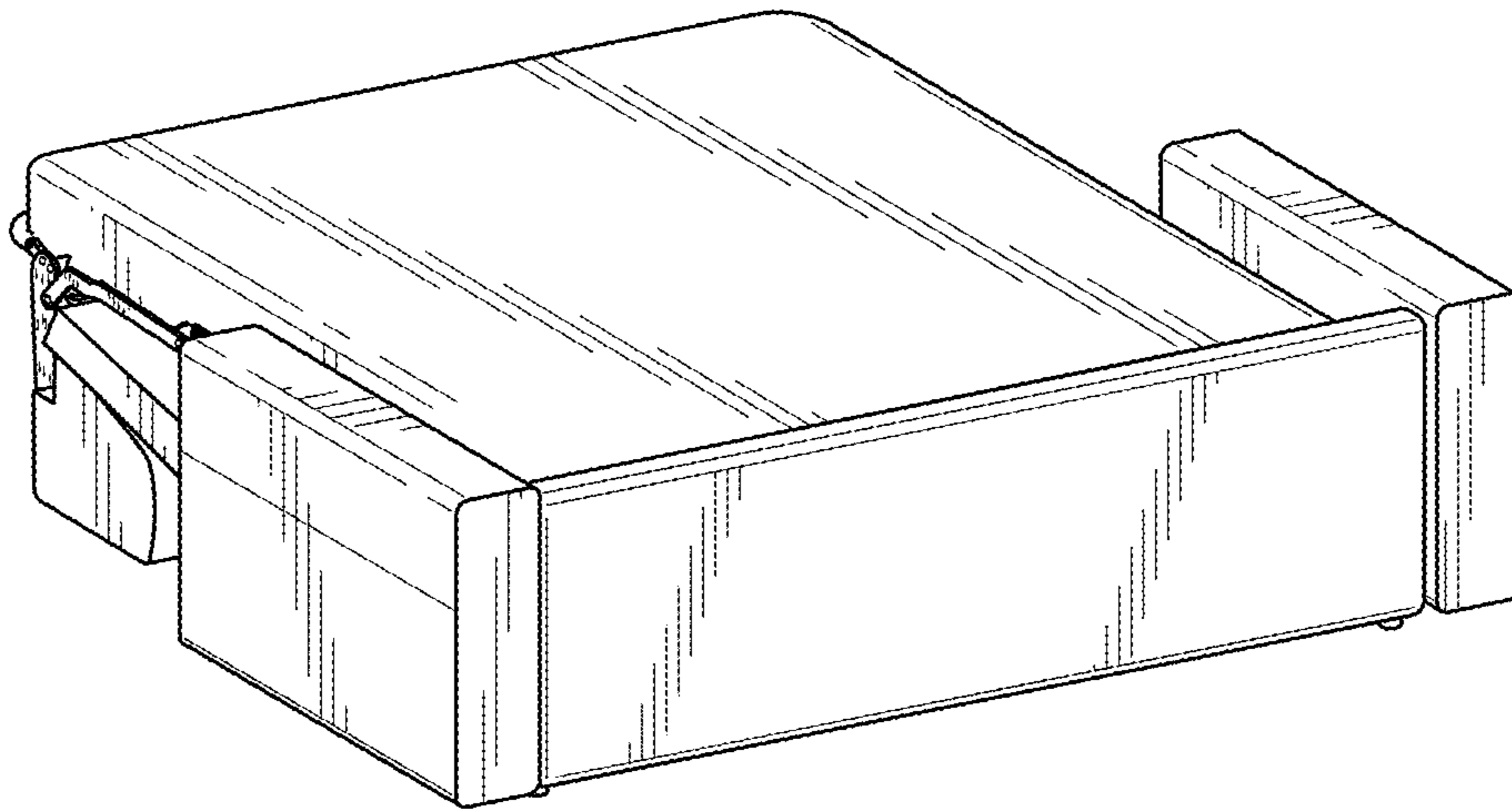


FIG. 6

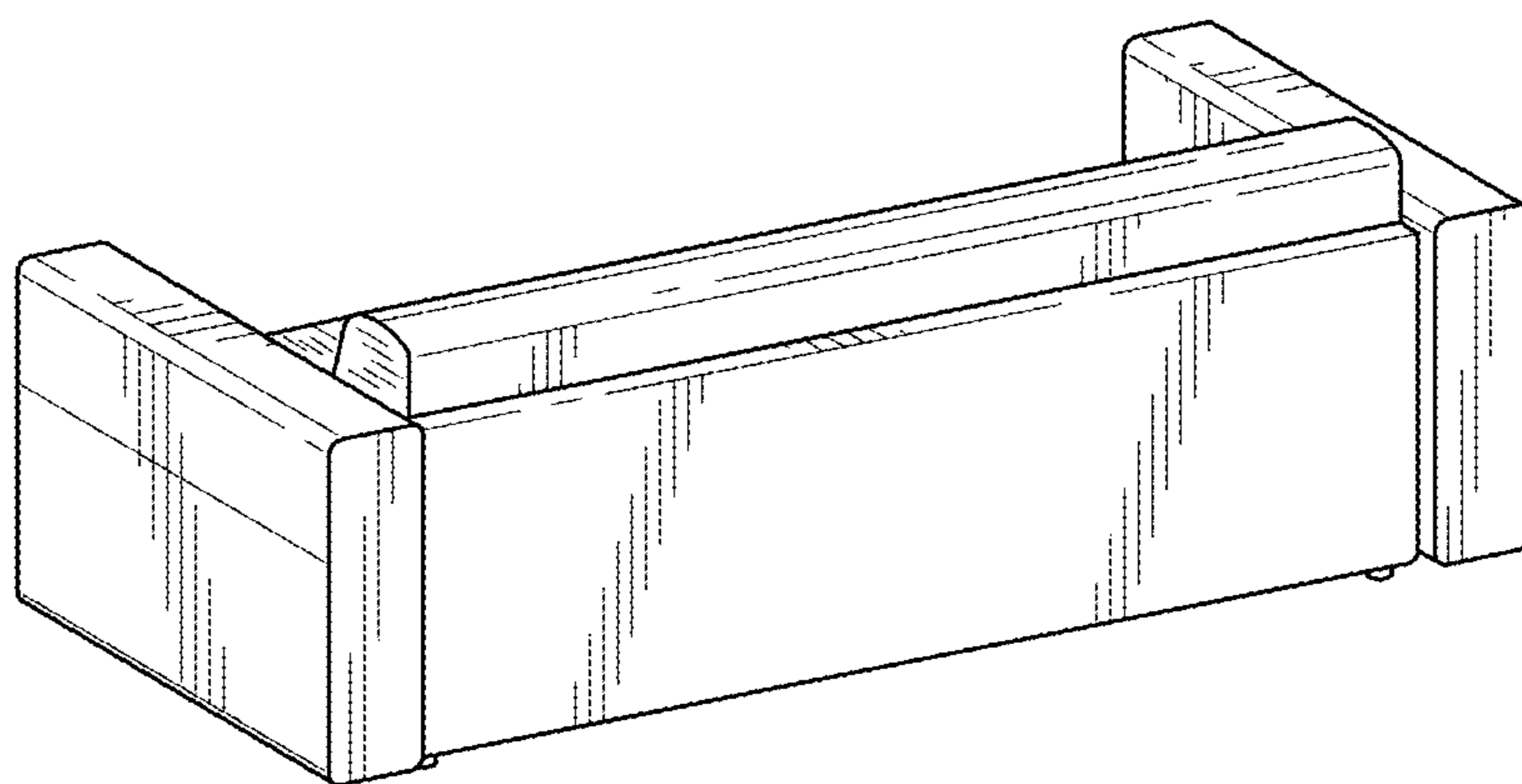


FIG. 7