



US00D957829S

(12) **United States Design Patent**  
**Donegan**

(10) **Patent No.:** **US D957,829 S**  
(45) **Date of Patent:** **\*\* Jul. 19, 2022**

(54) **HANGER SPACER TAPE**

(71) Applicant: **Stephen P. Donegan**, Los Angeles, CA (US)

(72) Inventor: **Stephen P. Donegan**, Los Angeles, CA (US)

(\*\*) Term: **15 Years**

(21) Appl. No.: **29/755,288**

(22) Filed: **Oct. 19, 2020**

**Related U.S. Application Data**

(63) Continuation of application No. 16/382,153, filed on Apr. 11, 2019, now Pat. No. 10,806,284, which is a continuation of application No. 16/051,438, filed on Jul. 31, 2018, now Pat. No. 10,299,615.

(51) **LOC (13) Cl.** ..... **06-08**

(52) **U.S. Cl.**  
USPC ..... **D6/328**

(58) **Field of Classification Search**

USPC ..... D6/328, 513, 547, 706; D8/395;  
211/30-33, 124, 105.1, 85.3, 123;  
223/87, 88, 85, 98  
CPC ..... A47K 10/12; A47K 10/14; A47K 13/01;  
A47K 25/0692; A47K 25/32; A47K  
25/325; A47K 25/1471; A47K 25/145;  
A47K 25/14; A47K 25/1407; A47K  
25/1421; A47K 25/183; A47K 25/186  
See application file for complete search history.

(56) **References Cited**

**U.S. PATENT DOCUMENTS**

2,895,618 A 7/1959 Nathan  
4,361,241 A 11/1982 Stoddard  
4,760,929 A 8/1988 Fedorchak

4,960,213 A 10/1990 Pfeifer  
D438,450 S \* 3/2001 Jones ..... D8/376  
D503,046 S \* 3/2005 Caiazzo ..... A47G 25/06  
D6/327  
7,028,855 B2 4/2006 Edwards  
7,216,786 B2 \* 5/2007 Mikhail ..... A47G 25/26  
223/85  
9,782,030 B1 10/2017 Bell et al.  
D832,601 S \* 11/2018 Bell ..... A47G 25/1471  
D6/513  
10,299,615 B1 \* 5/2019 Donegan ..... A47G 25/1471  
2006/0278594 A1 12/2006 Macon

\* cited by examiner

*Primary Examiner* — Abraham Bahta

(74) *Attorney, Agent, or Firm* — Pacifica IP

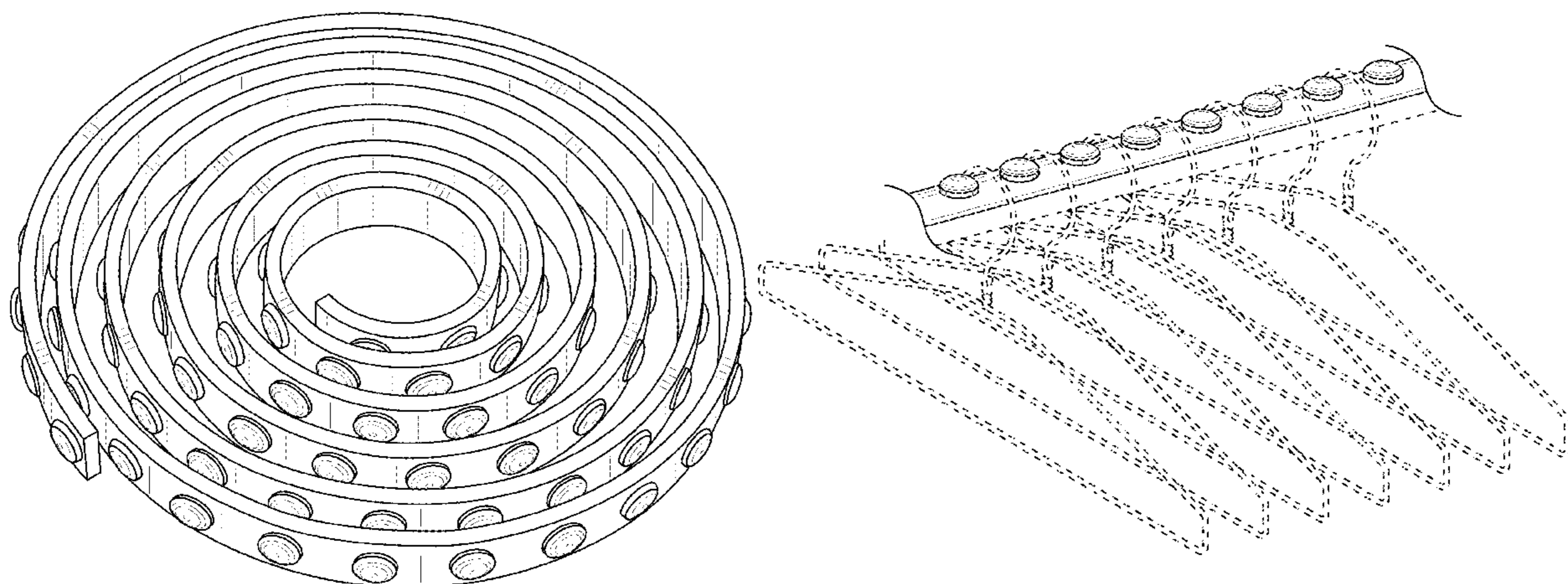
(57) **CLAIM**

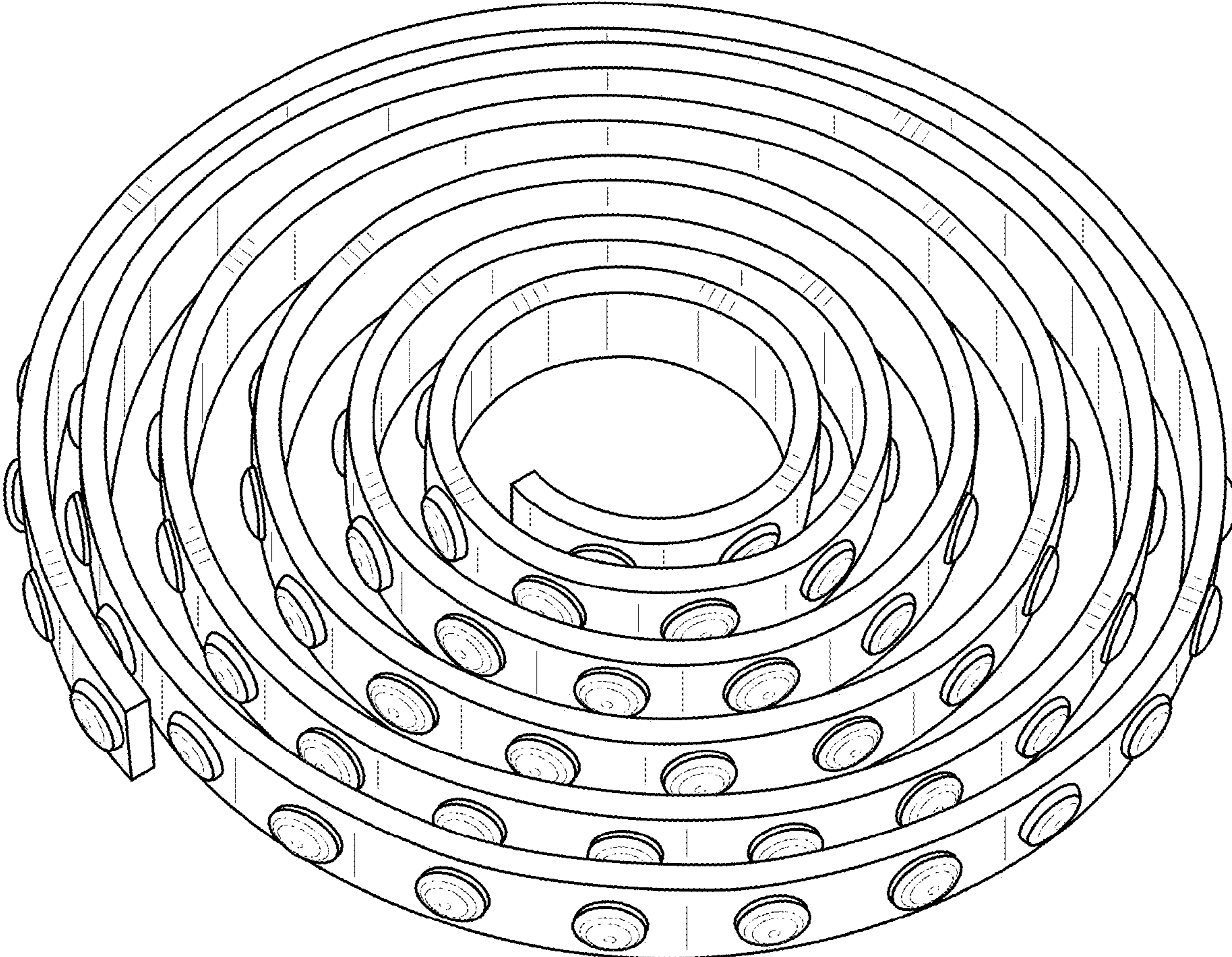
The ornamental design for a hanger spacer tape, as shown and described.

**DESCRIPTION**

FIG. 1 is a front perspective view of the hanger spacer tape in a coiled state;  
FIG. 2 is a top view thereof;  
FIG. 3 is a bottom view thereof;  
FIG. 4 is a front view thereof;  
FIG. 5 is a rear view thereof;  
FIG. 6 is a left side view thereof;  
FIG. 7 is a right-side view thereof;  
FIG. 8 is a perspective view of a portion of the hanger spacer tape of FIG. 1 in use;  
FIG. 9 is a top view thereof;  
FIG. 10 is a bottom view thereof;  
FIG. 11 is a right-side view thereof; and,  
FIG. 12 is a left side view thereof.  
The broken lines in the drawings are for illustrative purposes only and do not form part of the claimed design.

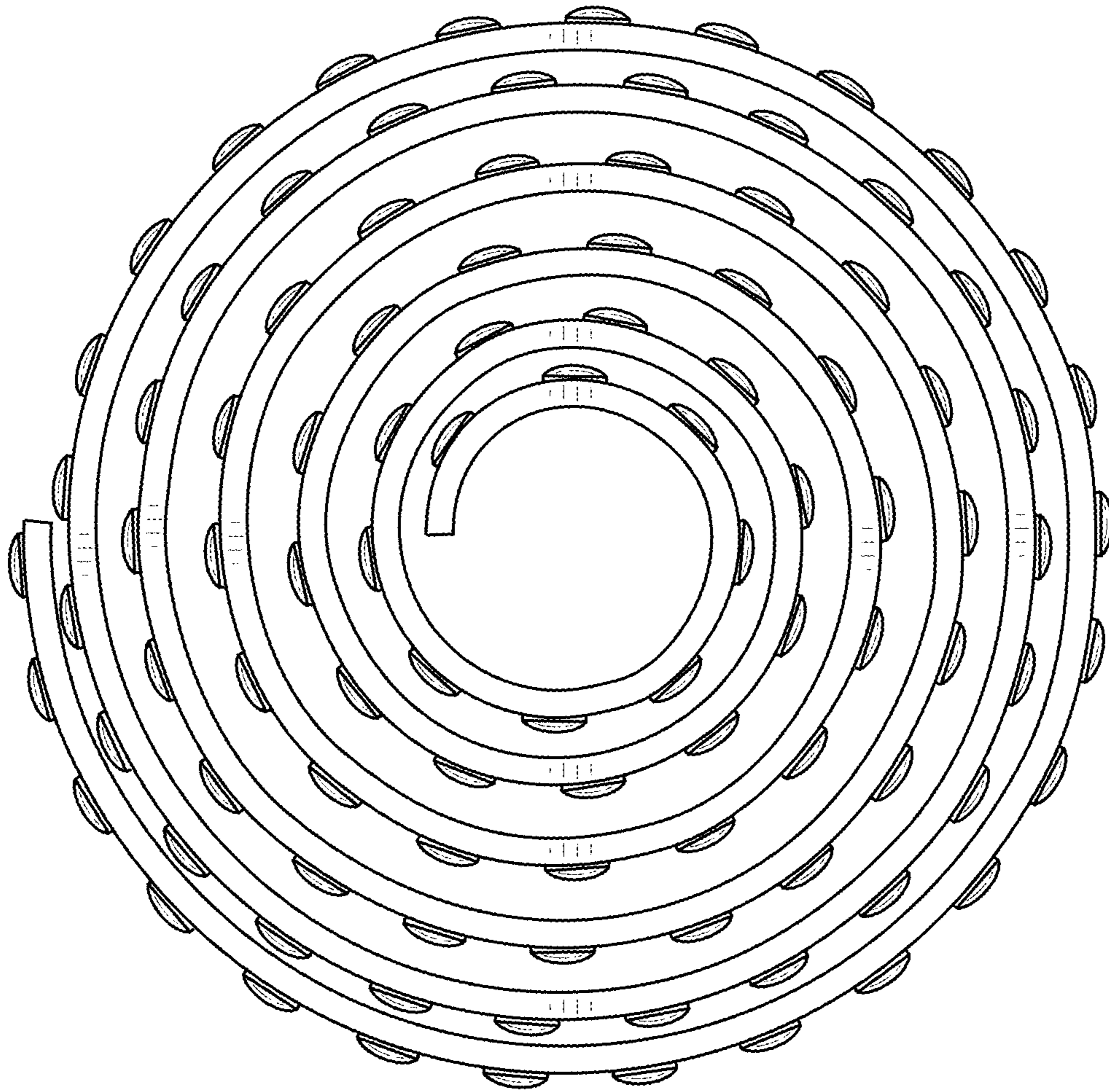
**1 Claim, 8 Drawing Sheets**



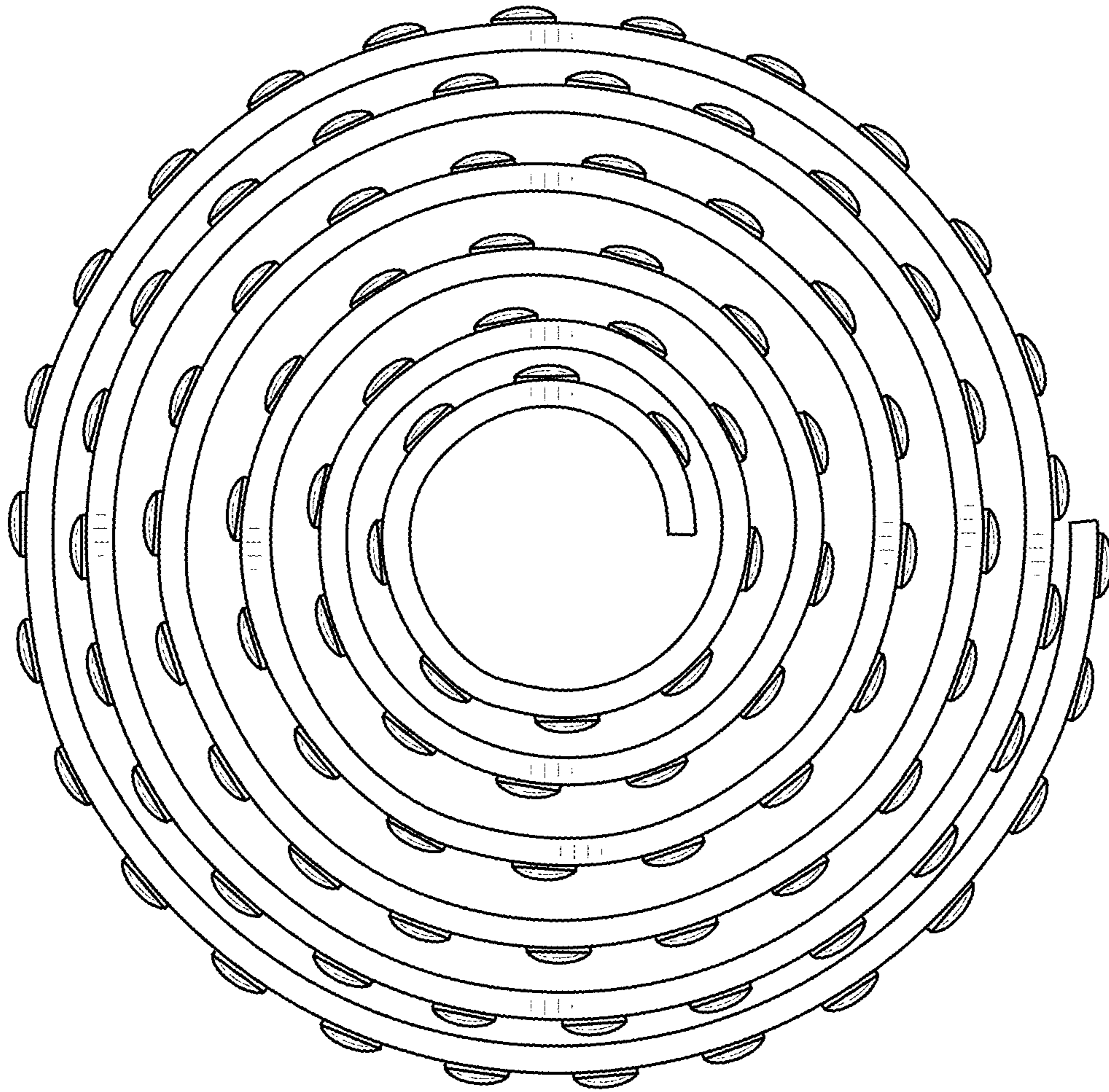


**FIG. 1**

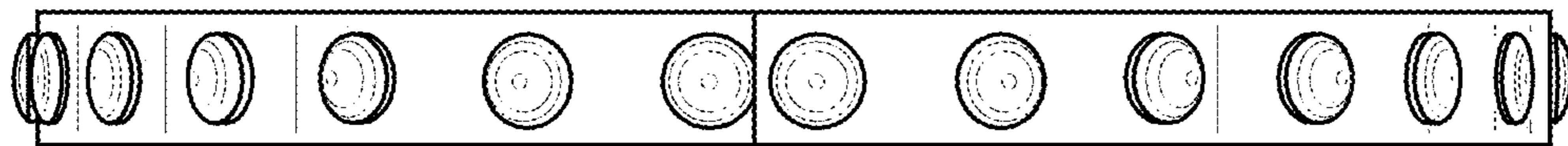




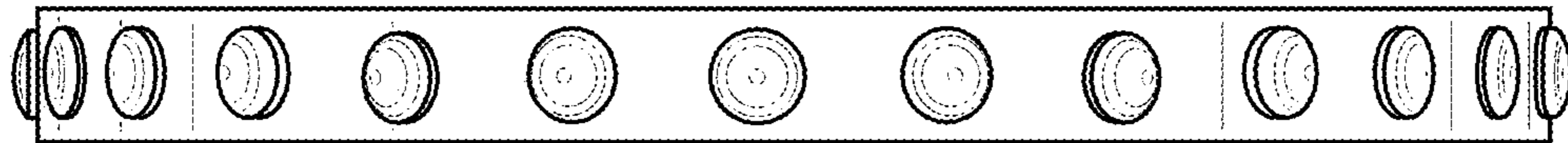
**FIG. 2**



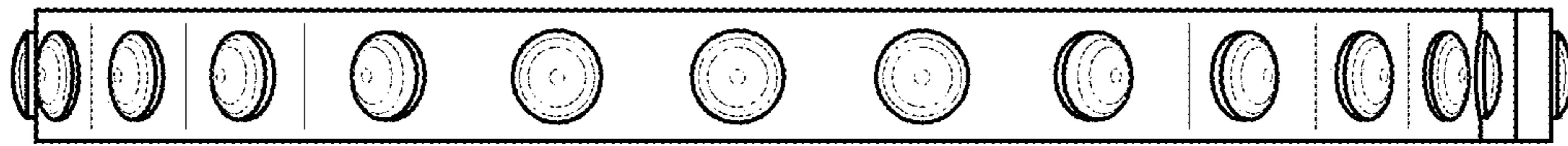
**FIG. 3**



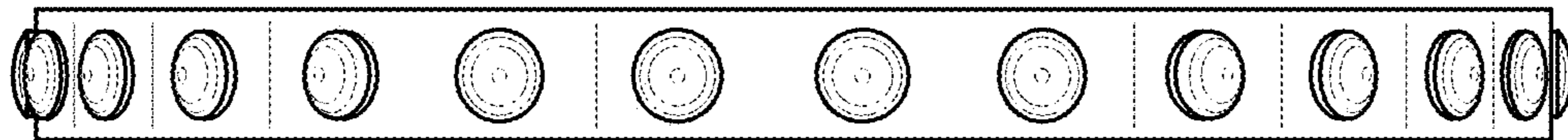
**FIG. 4**



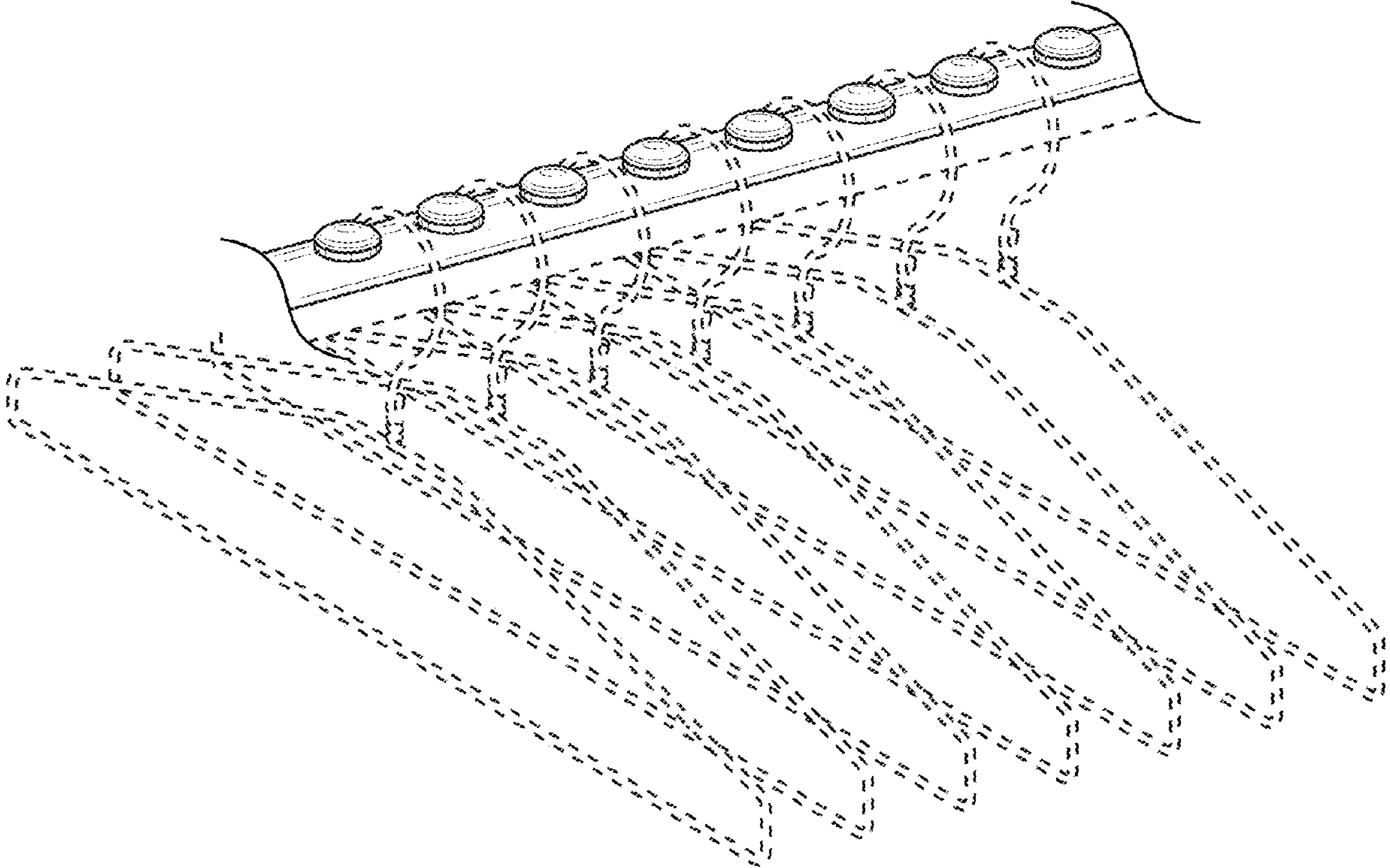
**FIG. 5**



**FIG. 6**

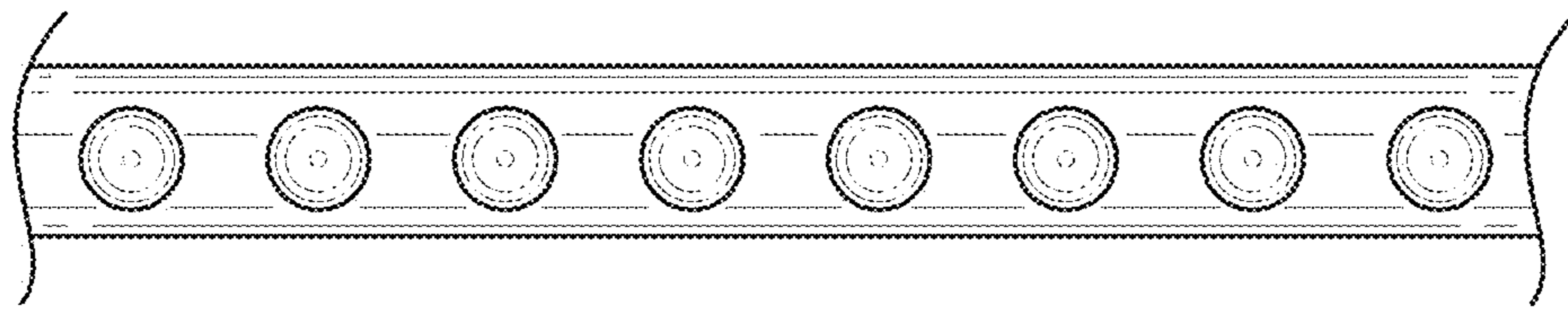


**FIG. 7**

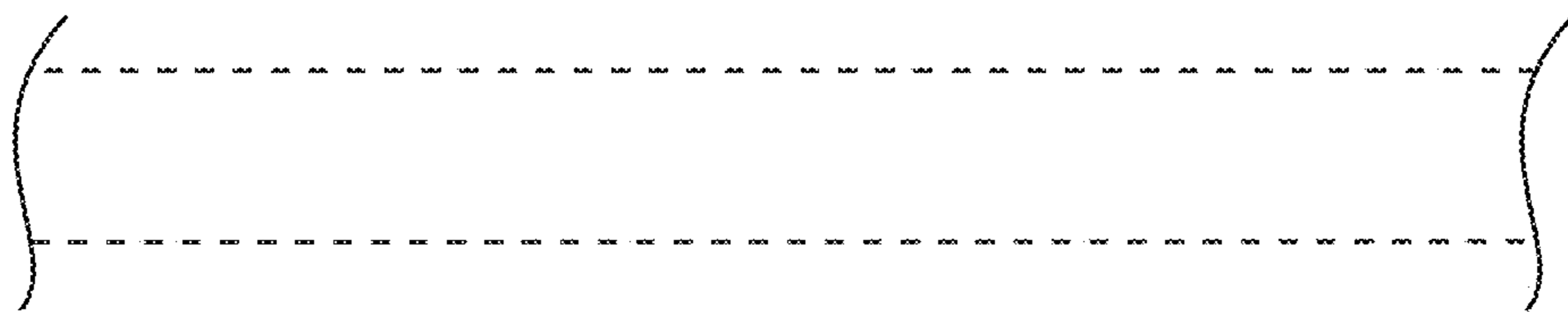


**FIG. 8**



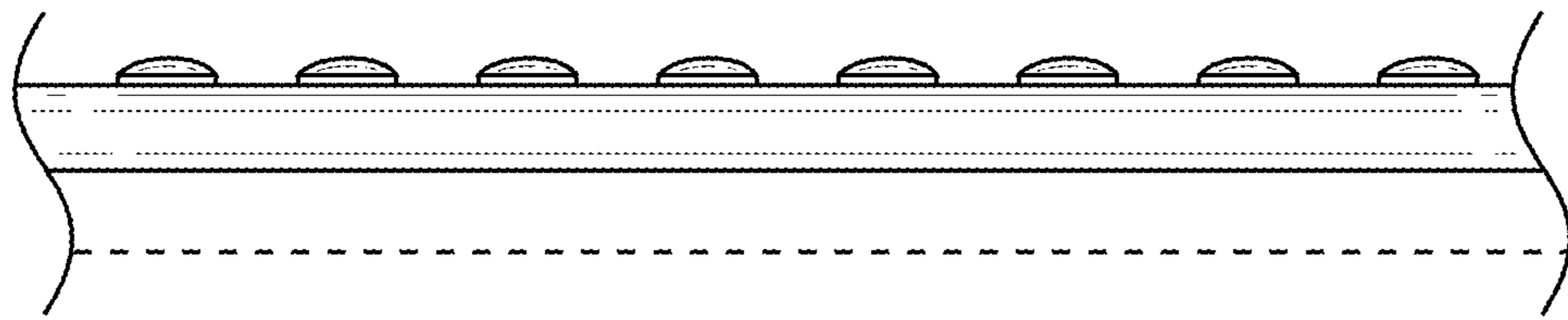


**FIG. 9**

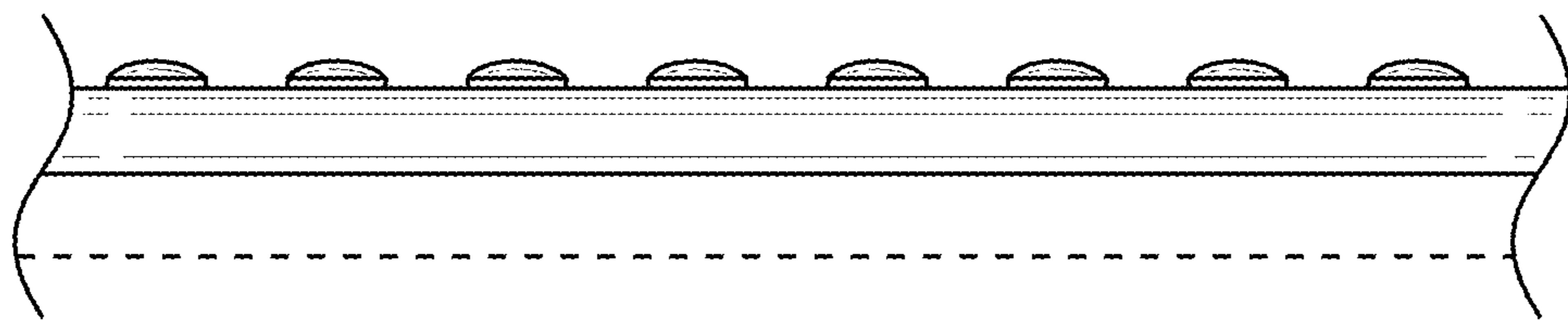


**FIG. 10**





**FIG. 11**



**FIG. 12**