



US00D957824S

(12) **United States Design Patent** (10) **Patent No.:** **US D957,824 S**
Park (45) **Date of Patent:** **** Jul. 19, 2022**

(54) **COMBINED TOOTHBRUSH WITH LED LIGHT**

(71) Applicant: **BNSOFT, INC.**, Seoul (KR)

(72) Inventor: **Sang Keun Park**, Paju-si (KR)

(73) Assignee: **BNSOFT, INC.**, Seoul (KR)

(**) Term: **15 Years**

(21) Appl. No.: **35/511,824**

(22) Filed: **Nov. 9, 2020**

(80) **Hague Agreement Data**

Int. Filing Date: **Nov. 9, 2020**

Int. Reg. No.: **DM/212019**

Int. Reg. Date: **Nov. 9, 2020**

Int. Reg. Pub. Date: **May 14, 2021**

(51) **LOC (13) Cl.** **04-02**

(52) **U.S. Cl.**
USPC **D4/108**

(58) **Field of Classification Search**
USPC D4/108, 110, 104, 138; D24/154
CPC A61C 17/3481; A46B 9/06; A46B 7/042;
A46B 5/026; A46B 15/0034; A46B
15/0044; A61L 2/10
See application file for complete search history.

(56) **References Cited**

U.S. PATENT DOCUMENTS

- D239,221 S * 3/1976 Wasserman D4/104
- D240,981 S * 8/1976 Hill D4/104
- 4,461,053 A * 7/1984 Nitzsche A46B 7/042
15/176.1
- D279,526 S * 7/1985 Sturdza D4/104
- D283,952 S * 5/1986 Berkowitz D4/108
- D296,271 S * 6/1988 Kobayashi D24/154
- D305,386 S * 1/1990 Rams D4/104
- D309,375 S * 7/1990 Ahlstrom D4/104

- D362,963 S * 10/1995 Brady D4/138
- D439,745 S * 4/2001 Harada D4/104
- D448,932 S * 10/2001 Harada D4/104
- D450,927 S * 11/2001 Harada D4/104
- D458,452 S * 6/2002 Harada D4/104
- D477,466 S * 7/2003 Jones D4/108
- D497,053 S * 10/2004 Mitthun D4/108
- D759,977 S * 6/2016 Lozoya D4/114
- D778,056 S * 2/2017 Wada D4/138
- D785,947 S * 5/2017 Matelo D4/110
- D790,862 S * 7/2017 Matelo D4/110
- D806,397 S * 1/2018 Xi D4/110
- D812,378 S * 3/2018 DeRicco D4/110
- D830,702 S * 10/2018 Mu D4/104
- D838,490 S * 1/2019 Kijurina D4/104
- D842,614 S * 3/2019 Zavalloni D4/110
- D867,763 S * 11/2019 Gan D4/108
- D876,098 S * 2/2020 Gan D4/104
- D877,519 S * 3/2020 Xi D4/110

(Continued)

Primary Examiner — Rhea Shields

(74) *Attorney, Agent, or Firm* — Revolution IP, PLLC

(57) **CLAIM**

The ornamental design for a combined toothbrush with LED light, as shown and described.

DESCRIPTION

The patent or application file contains at least one drawing executed in color. Copies of this patent or patent application publication with color drawing(s) will be provided by the Office upon request and payment of the necessary fee.

1. Combined toothbrush with LED light

1.1 : Perspective

1.2 : Front

1.3 : Back

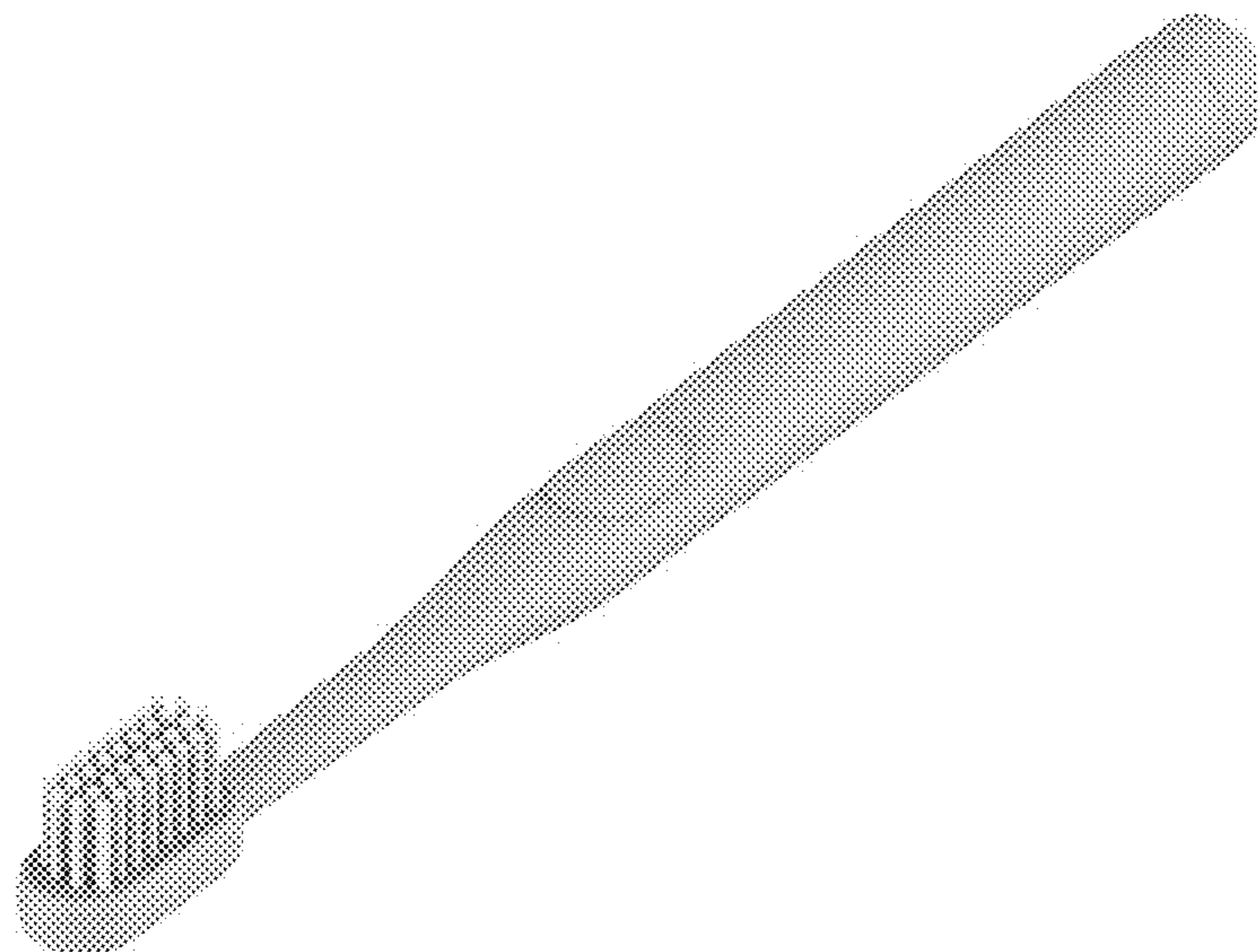
1.4 : Top

1.5 : Bottom

1.6 : Left

1.7 : Right

1 Claim, 7 Drawing Sheets
(7 of 7 Drawing Sheet(s) Filed in Color)



(56)

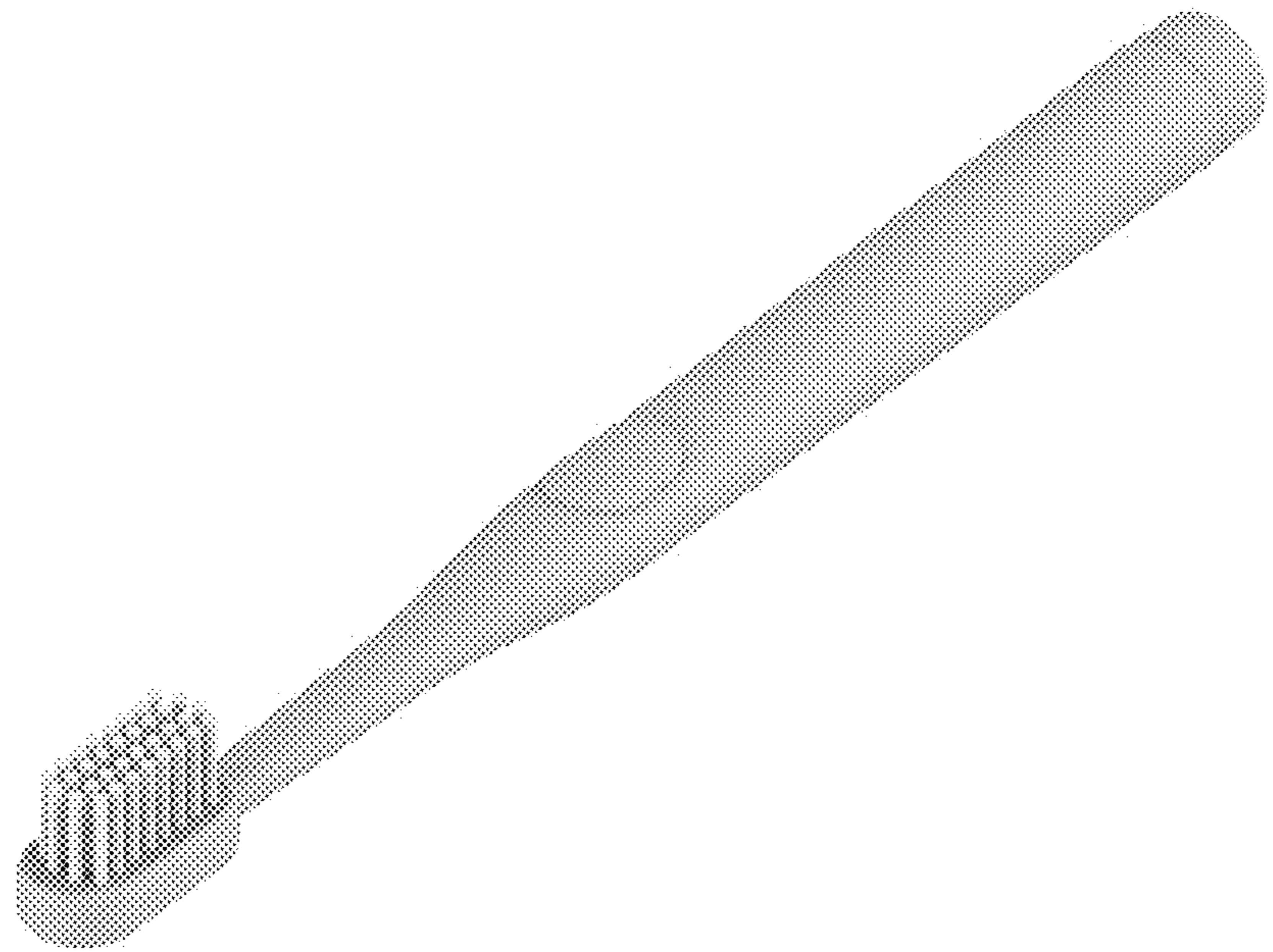
References Cited

U.S. PATENT DOCUMENTS

D880,165 S * 4/2020 Oh D4/104
D894,612 S * 9/2020 Zhang D4/104
D898,373 S * 10/2020 Kim D4/104
D912,406 S * 3/2021 Xin D4/110
D912,992 S * 3/2021 Xin D4/110
D925,231 S * 7/2021 Gan D4/104
D944,531 S * 3/2022 Brönnner D4/110
2008/0060153 A1 * 3/2008 Jansheski A61L 2/10
15/105
2008/0109979 A1 * 5/2008 Jo A46B 9/06
15/167.1
2008/0131834 A1 * 6/2008 Shepherd A46B 15/0034
433/29
2011/0232012 A1 * 9/2011 Nanda A46B 15/0044
15/22.1
2012/0137454 A1 * 6/2012 Huy A61C 17/3481
15/105
2015/0305482 A1 * 10/2015 Tran A46B 5/026
15/22.1

* cited by examiner

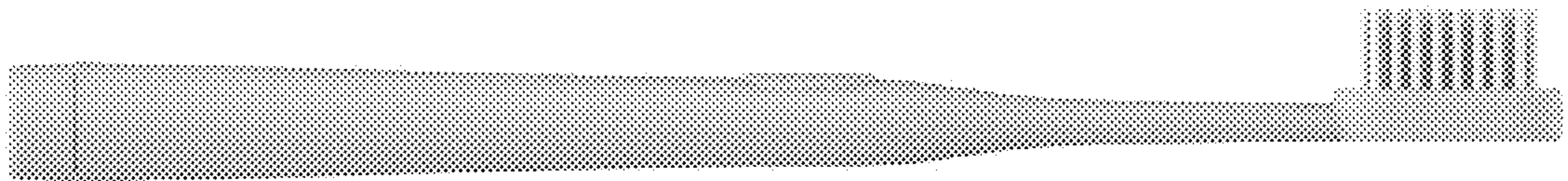
1.1



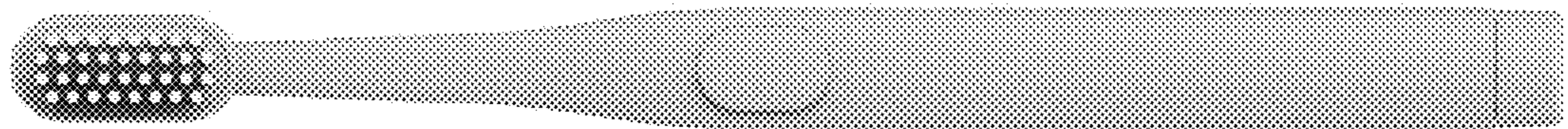
1.2



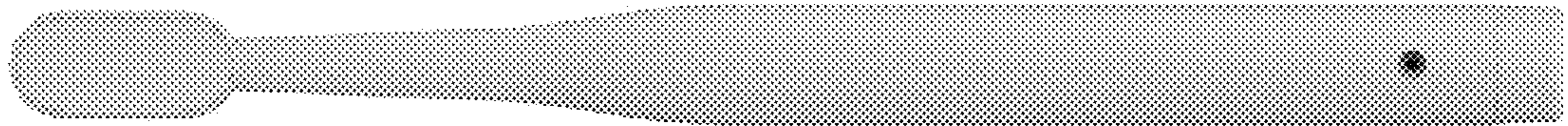
1.3



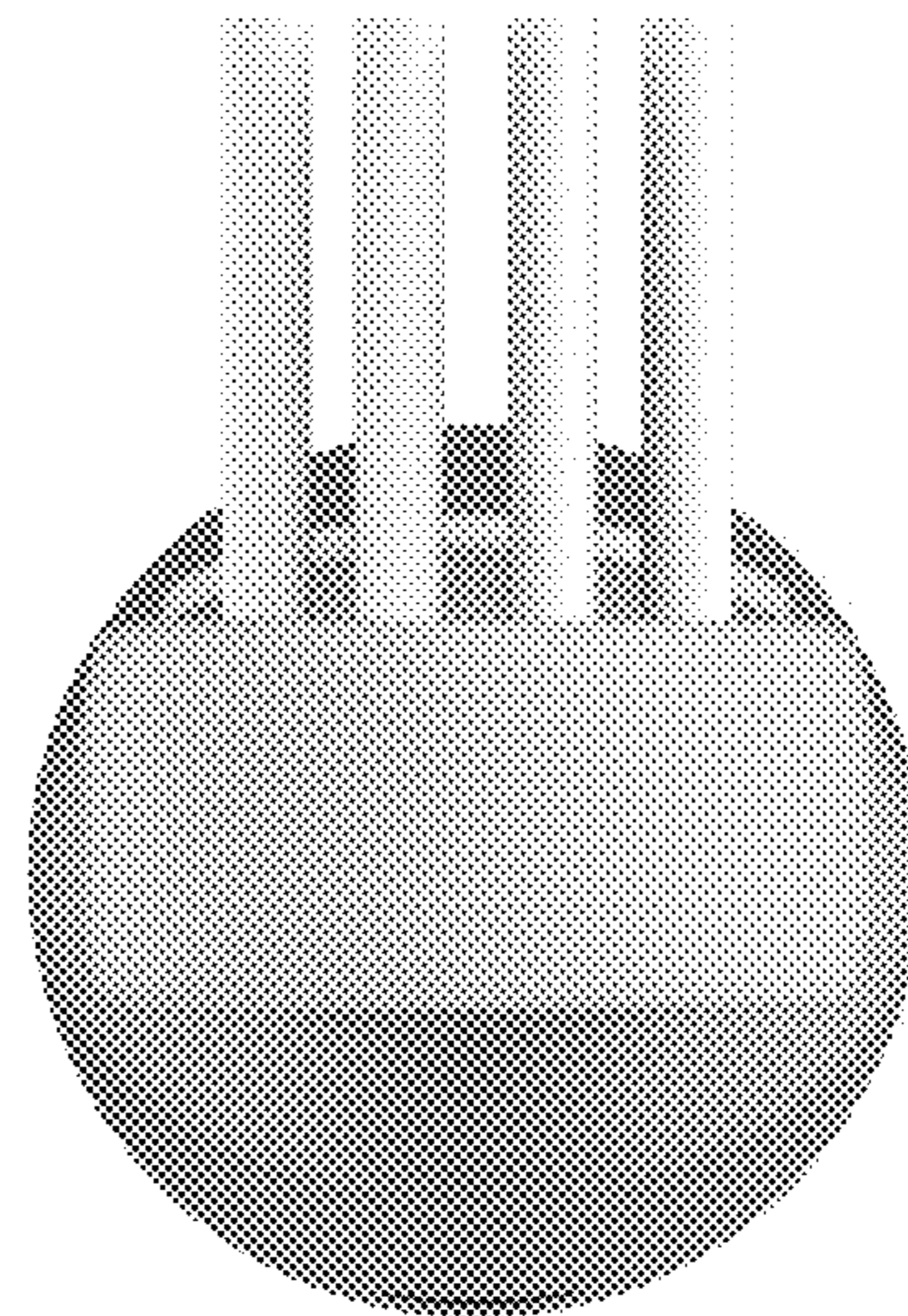
1.4



1.5



1.6



1.7

