



US00D957822S

(12) **United States Design Patent** (10) **Patent No.:** **US D957,822 S**  
**Jungnickel et al.** (45) **Date of Patent:** **\*\* Jul. 19, 2022**

(54) **TOOTHBRUSH**  
(71) Applicant: **The Gillette Company LLC**, Boston, MA (US)  
(72) Inventors: **Uwe Jungnickel**, Koenigstein Taunus (DE); **Dominik Langhammer**, Frankfurt (DE)  
(73) Assignee: **The Gillette Company LLC**, Boston, MA (US)

D334,844 S \* 4/1993 Lunderman ..... D4/138  
D336,040 S 6/1993 Philippe  
D373,903 S 9/1996 Stutzer et al.  
D420,910 S 2/2000 Stuppi  
D454,251 S 3/2002 De et al.  
D456,607 S 5/2002 Carlucci et al.  
D465,655 S 11/2002 Kraemer  
6,546,586 B2 \* 4/2003 Cho ..... A46B 9/06  
15/167.1  
D489,002 S 4/2004 Meyer et al.  
(Continued)

(\*\*) Term: **15 Years**

(21) Appl. No.: **29/752,903**

(22) Filed: **Sep. 29, 2020**

**Related U.S. Application Data**

(62) Division of application No. 29/704,079, filed on Aug. 30, 2019, now Pat. No. Des. 901,183.

(30) **Foreign Application Priority Data**

Mar. 22, 2019 (WO) ..... 970011959

(51) **LOC (13) Cl.** ..... **04-02**

(52) **U.S. Cl.**  
USPC ..... **D4/101**

(58) **Field of Classification Search**  
USPC ..... D4/100, 101, 102, 104, 105, 106, 107,  
D4/108, 109, 110, 111, 112, 113, 114,  
D4/115, 116, 119, 130, 132, 133, 134,  
D4/136, 137, 138, 199  
CPC ... A46B 2200/1066; A46B 5/02; A61C 17/16;  
A61C 17/22  
See application file for complete search history.

(56) **References Cited**

**U.S. PATENT DOCUMENTS**

2,242,743 A 5/1941 Brown  
4,880,111 A 11/1989 Bagwell

**FOREIGN PATENT DOCUMENTS**

CN 1229341 A 9/1999  
CN 1241123 A 1/2000  
(Continued)

**OTHER PUBLICATIONS**

All Office Actions, U.S. Appl. No. 29/704,079.  
(Continued)

*Primary Examiner* — Karen E Eldridge Powers  
(74) *Attorney, Agent, or Firm* — Vladimir Vitenberg

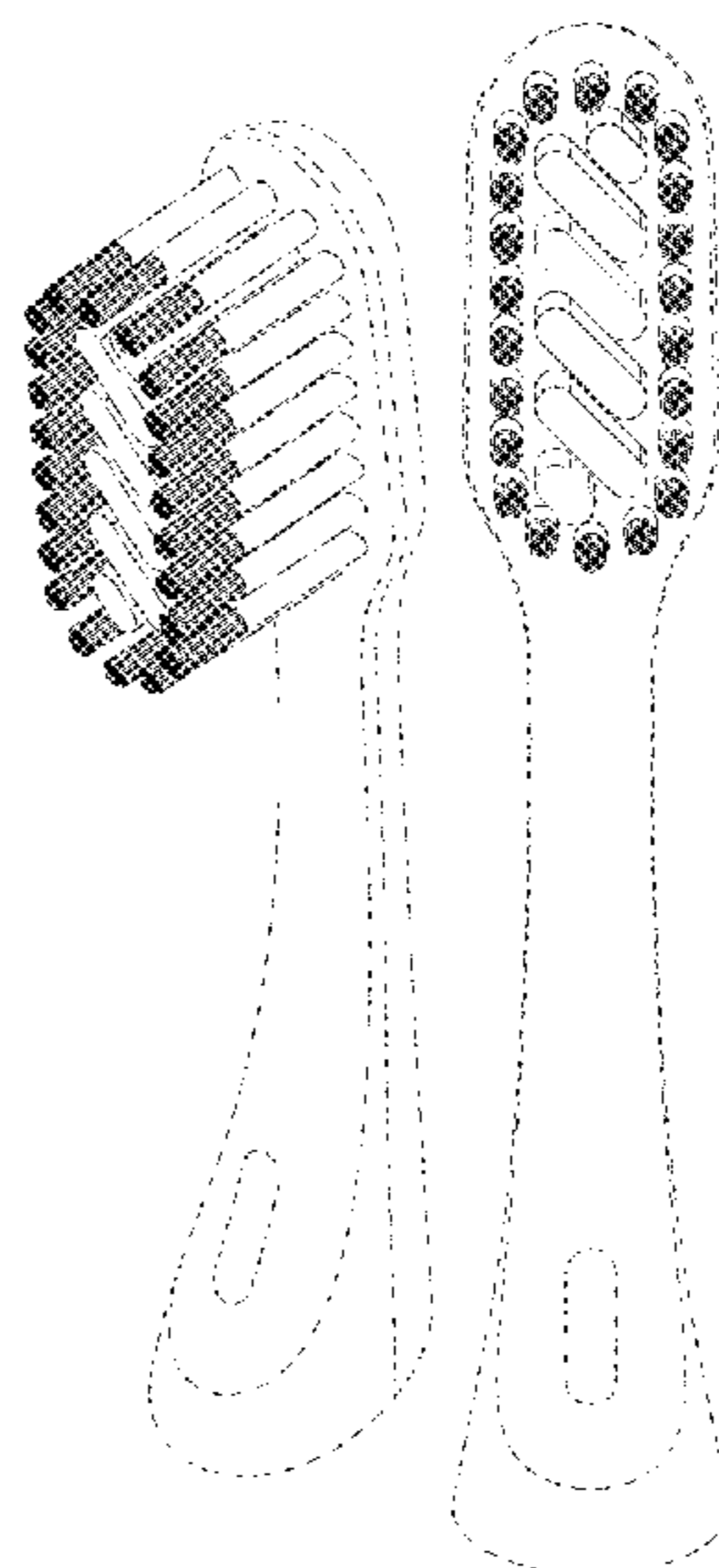
(57) **CLAIM**

The ornamental design for a toothbrush, as shown and described.

**DESCRIPTION**

FIG. 1 is a perspective view of a toothbrush;  
FIG. 2 is a front elevation view thereof;  
FIG. 3 is a right side elevation view thereof;  
FIG. 4 is a rear elevation view thereof;  
FIG. 5 is a left side elevation view thereof;  
FIG. 6 is a top plan view thereof; and,  
FIG. 7 is a bottom plan view thereof.  
The broken lines illustrate environmental structure and form no part of the claimed design.

**1 Claim, 1 Drawing Sheet**



(56)

References Cited

U.S. PATENT DOCUMENTS

6,751,823 B2	6/2004	Biro		D794,336 S *	8/2017	Zavalloni .....	D4/102
6,957,468 B2	10/2005	Driesen et al.		D795,419 S	8/2017	Kohler	
D515,816 S	2/2006	Jimenez et al.		9,724,180 B1	8/2017	Liu	
D517,213 S	3/2006	Vu et al.		9,724,181 B2	8/2017	Schaefer et al.	
7,047,591 B2	5/2006	Hohlbein		D799,217 S	10/2017	Massee	
D533,720 S	12/2006	Vu		D799,218 S	10/2017	Okai	
D569,623 S	5/2008	Beedham		D799,835 S	10/2017	Okai	
D577,493 S	9/2008	Wong		9,788,926 B2	10/2017	Franke	
D578,768 S *	10/2008	Geiberger .....	D4/104	D801,696 S	11/2017	Mcgarry et al.	
7,520,016 B2	4/2009	Kressner		D805,306 S	12/2017	Massee	
D598,198 S	8/2009	Crossman		9,865,184 B2	1/2018	Jungnickel et al.	
D605,525 S	12/2009	Zitterkopf		D814,195 S	4/2018	Sikora et al.	
D607,646 S	1/2010	Ino		D815,838 S *	4/2018	Xi .....	D4/104
D609,914 S	2/2010	Erskine-Smith et al.		D818,274 S	5/2018	Bauernfeind	
D613,154 S	4/2010	Arnell		D819,337 S	6/2018	Yuan et al.	
D617,843 S	6/2010	Heinke		D819,973 S	6/2018	Greve et al.	
7,788,756 B2	9/2010	Kraemer		D824,174 S	7/2018	Altmann et al.	
7,836,537 B1 *	11/2010	Kumar .....	A46B 9/04 15/22.1	D824,175 S	7/2018	Yan	
D630,019 S	1/2011	Wong		D828,036 S	9/2018	Wainless et al.	
D630,020 S	1/2011	Wong		D831,358 S	10/2018	Altmann et al.	
D631,345 S	1/2011	Gustafson		D833,753 S *	11/2018	Axelrod .....	D4/119
D650,659 S	12/2011	Tucker		D834,324 S	11/2018	Hielscher	
D652,626 S	1/2012	Gebski		10,123,609 B2	11/2018	Dishon	
D653,035 S	1/2012	Gebski		D838,991 S	1/2019	Choi et al.	
D656,817 S	4/2012	Tucker et al.		10,195,005 B2	2/2019	Wallström et al.	
D657,954 S	4/2012	Gebski		D844,995 S	4/2019	Wong et al.	
D658,381 S	5/2012	Gebski		D845,636 S	4/2019	Porter et al.	
D658,383 S	5/2012	Key et al.		D854,331 S	7/2019	Hielscher	
D669,687 S	10/2012	Heil et al.		D854,332 S	7/2019	Hielscher	
D669,688 S	10/2012	Jimenez et al.		D854,334 S	7/2019	Hielscher	
D674,195 S	1/2013	Nanda		D854,835 S	7/2019	Hielscher et al.	
D676,663 S	2/2013	Ptok et al.		D855,997 S	8/2019	Hielscher et al.	
D684,469 S	6/2013	Collinet		D855,998 S	8/2019	Hielscher et al.	
8,464,388 B2	6/2013	Chen		10,376,039 B2	8/2019	Jungnickel	
D687,636 S	8/2013	Driesen et al.		D860,653 S	9/2019	Xi	
D688,045 S	8/2013	Key et al.		D861,351 S	10/2019	Albay et al.	
8,511,323 B2	8/2013	Jimenez et al.		D862,223 S	10/2019	Camper	
D689,697 S	9/2013	Doumoto et al.		D863,772 S	10/2019	Hu	
8,549,691 B2	10/2013	Moskovich		D863,773 S	10/2019	Hu	
8,578,544 B2 *	11/2013	Brown, Jr. ....	A46B 15/0032 15/110	10,426,249 B2 *	10/2019	Hohlbein .....	A46B 1/00
8,656,548 B2	2/2014	Jungnickel et al.		10,485,328 B2	11/2019	Jimenez et al.	
D704,447 S	5/2014	Xi		D868,482 S	12/2019	Papazian	
8,769,758 B2	7/2014	Jungnickel et al.		D874,156 S	2/2020	Altmann et al.	
D710,111 S	8/2014	Ding		D874,830 S	2/2020	Choi et al.	
D712,247 S	9/2014	Lemahieu		10,548,392 B2 *	2/2020	Robinson .....	A46B 3/08
D717,547 S	11/2014	Adriaenssen et al.		D879,474 S	3/2020	Pauschitz	
D718,057 S	11/2014	Massee et al.		D880,165 S *	4/2020	Oh .....	D4/104
D719,737 S	12/2014	Adriaenssen et al.		D880,166 S *	4/2020	Oh .....	D4/104
D734,614 S	7/2015	Driesen		D880,870 S	4/2020	Greve	
D747,609 S	1/2016	Watkins		D880,871 S	4/2020	Choi	
D749,851 S	2/2016	Watkins		D881,581 S	4/2020	Smigel	
D751,295 S	3/2016	Lee et al.		D882,271 S	4/2020	Mote	
D752,868 S	4/2016	Mcgarry et al.		10,631,623 B2 *	4/2020	Kraemer .....	A46B 9/028
D759,380 S	6/2016	Watkins		D884,351 S	5/2020	Albay et al.	
D759,381 S	6/2016	Watkins		D884,354 S	5/2020	Albay et al.	
D759,382 S	6/2016	Watkins		D887,145 S	6/2020	Hu	
D759,383 S	6/2016	Watkins		D887,147 S	6/2020	Jimenez	
D762,986 S	8/2016	May et al.		D887,148 S	6/2020	Okai	
9,402,461 B2	8/2016	Brik et al.		10,667,892 B2	6/2020	Bartschi et al.	
D766,581 S	9/2016	Bloch et al.		10,687,611 B2	6/2020	Tschol	
D767,895 S	10/2016	Stebila et al.		10,694,839 B2	6/2020	Tschol	
D768,996 S	10/2016	Xi et al.		D889,844 S	7/2020	Greve	
D771,388 S	11/2016	Since		D890,528 S	7/2020	Albay et al.	
D773,822 S	12/2016	Sikora et al.		D891,114 S	7/2020	Kuang	
D775,469 S	1/2017	Sikora et al.		D891,116 S	7/2020	Feng	
D776,936 S *	1/2017	Fretwell .....	D4/104	10,702,051 B2	7/2020	Tschol	
D778,062 S	2/2017	Schmid		10,702,053 B2	7/2020	Tschol	
D787,189 S	5/2017	Fretwell et al.		10,709,533 B2	7/2020	Bloch	
9,642,682 B2	5/2017	Kato		10,729,232 B2	8/2020	Jungnickel	
9,675,168 B2	6/2017	Jungnickel et al.		10,743,650 B2	8/2020	Katano	
D790,859 S	7/2017	Mcgarry et al.		10,750,847 B2	8/2020	Dengler	
D791,485 S	7/2017	Mcgarry et al.		D894,610 S	9/2020	Albay et al.	
D793,735 S *	8/2017	Zavalloni .....	D4/102	D895,295 S	9/2020	Xu	
				D895,296 S	9/2020	Hu et al.	
				10,792,136 B2	10/2020	May et al.	
				D901,183 S	11/2020	Jungnickel et al.	
				10,835,025 B2	11/2020	Kirchhofer et al.	
				10,835,028 B2	11/2020	Gatzemeyer et al.	
				10,869,742 B2	12/2020	Fritsch et al.	

(56)

References Cited

U.S. PATENT DOCUMENTS

10,874,205	B2	12/2020	Alinski et al.	
D906,678	S	1/2021	Ge	
D906,688	S	1/2021	Porter et al.	
D907,369	S	1/2021	Yang	
10,881,195	B2	1/2021	Nanda	
D909,065	S	2/2021	Mote et al.	
10,925,384	B2	2/2021	Hohlbein et al.	
D912,988	S	3/2021	Langhammer	
D912,989	S	3/2021	Albay et al.	
D917,298	S	4/2021	Hallein et al.	
D919,301	S	5/2021	Zhao	
D926,048	S	7/2021	Hallein et al.	
D926,049	S	7/2021	Hallein et al.	
D927,972	S	8/2021	Hallein et al.	
11,103,054	B2	8/2021	Altmann et al.	
D930,989	S	9/2021	Albay et al.	
D930,990	S *	9/2021	Hallein .....	D4/110
D931,617	S	9/2021	Hallein et al.	
D931,619	S *	9/2021	Hallein .....	D4/110
D932,777	S	10/2021	Albay et al.	
D933,368	S	10/2021	Albay et al.	
D935,187	S	11/2021	Hu	
D935,188	S	11/2021	He et al.	
D935,192	S	11/2021	He et al.	
D936,484	S	11/2021	Hallein et al.	
D937,582	S	12/2021	Deng	
D938,732	S	12/2021	Deng	
2005/0268414	A1 *	12/2005	Kim .....	A46B 9/04 15/167.1
2006/0048323	A1	3/2006	Rueb	
2007/0131241	A1	6/2007	Nanda	
2007/0163064	A1	7/2007	Wong et al.	
2009/0013489	A1	1/2009	Binet	
2010/0115724	A1	5/2010	Huang	
2012/0124759	A1	5/2012	Fritsch	
2012/0272996	A1	11/2012	Jimenez	
2013/0255017	A1	10/2013	Lee	
2015/0113747	A1	4/2015	May et al.	
2016/0135580	A1	5/2016	Tschol et al.	
2016/0270520	A1	9/2016	Lee	
2017/0128178	A1	5/2017	Schmidt et al.	
2018/0021116	A1	1/2018	Störkel	
2019/0125065	A1	5/2019	Altmann	
2019/0200740	A1	7/2019	Jungnickel	
2019/0200742	A1	7/2019	Jungnickel	
2019/0200743	A1	7/2019	Jungnickel	
2019/0200748	A1	7/2019	Görich et al.	
2019/0231063	A1	8/2019	May et al.	
2020/0077778	A1 *	3/2020	Jungnickel .....	A46B 9/025
2020/0179089	A1	6/2020	Serval	
2020/0315334	A1	10/2020	Meidl	
2020/0359779	A1	11/2020	Dengler et al.	
2020/0368003	A1	11/2020	Claire-zimmet et al.	
2020/0397130	A1	12/2020	Ganninger et al.	
2020/0397134	A1	12/2020	Ganninger et al.	
2020/0397136	A1	12/2020	Ganninger et al.	
2020/0397137	A1	12/2020	Ganninger et al.	
2021/0030145	A1	2/2021	Lee et al.	
2021/0045857	A1	2/2021	Fritsch et al.	
2021/0145539	A1	5/2021	Greve	
2021/0145557	A1	5/2021	May et al.	

FOREIGN PATENT DOCUMENTS

CN	202269590	U	6/2012
CN	302898215	S	8/2014
DE	3241118	A1	8/1984
EM	0024534720002		8/2014
EM	003175470-0002		7/2016
EM	004362952-0001		9/2017
JP	1232984	S	3/2005
JP	1620904	S	12/2018
RU	77426	S	2/2011
RU	89542	S	8/2014

RU	93878	S	6/2015
TR	099695-0002	*	3/2019
WO	DM093043		6/2017

OTHER PUBLICATIONS

All Office Actions, U.S. Appl. No. 29/752,912.

All Office Actions; U.S. Appl. No. 29/646,252, filed May 2, 2018.

All Office Actions; U.S. Appl. No. 29/659,068, filed Aug. 6, 2018.

All Office Actions; U.S. Appl. No. 29/659,078, filed Aug. 6, 2018.

All Office Actions; U.S. Appl. No. 29/681,302, filed Feb. 25, 2019.

All Office Actions; U.S. Appl. No. 29/695,301, filed Jun. 18, 2019.

All Office Actions; U.S. Appl. No. 29/699,695, filed Jul. 29, 2019.

All Office Actions; U.S. Appl. No. 29/743,560, filed Jul. 22, 2020.

All Office Actions; U.S. Appl. No. 29/746,709, filed Aug. 17, 2020.

All Office Actions; U.S. Appl. No. 29/746,718, filed Aug. 17, 2020.

All Office Actions; U.S. Appl. No. 29/755,910, filed Oct. 23, 2020.

All Office Actions; U.S. Appl. No. 29/757,497, filed Nov. 6, 2020.

All Office Actions; U.S. Appl. No. 29/757,499, filed Nov. 6, 2020.

All Office Actions; U.S. Appl. No. 29/758,249, filed Nov. 13, 2020.

All Office Actions; U.S. Appl. No. 29/758,251, filed Nov. 13, 2020.

All Office Actions; U.S. Appl. No. 29/758,268, filed Nov. 13, 2018.

All Office Actions; U.S. Appl. No. 29/758,274, filed Nov. 13, 2020.

All Office Actions; U.S. Appl. No. 29/758,276, filed Nov. 13, 2020.

All Office Actions; U.S. Appl. No. 29/761,083, filed Dec. 7, 2020.

All Office Actions; U.S. Appl. No. 29/761,085, filed Dec. 7, 2020.

All Office Actions; U.S. Appl. No. 29/761,086, filed Dec. 7, 2020.

All Office Actions; U.S. Appl. No. 29/761,090, filed Dec. 7, 2020.

All Office Actions; U.S. Appl. No. 29/762,793, filed Dec. 18, 2020.

All Office Actions; U.S. Appl. No. 29/782,323, filed May 6, 2021.

All Office Actions; U.S. Appl. No. 29/786,732, filed Jun. 2, 2021.

All Office Actions; U.S. Appl. No. 29/786,746, filed Jun. 2, 2021.

All Office Actions; U.S. Appl. No. 29/787,707, filed Jun. 8, 2021.

All Office Actions; U.S. Appl. No. 29/787,712, filed Jun. 8, 2021.

All Office Actions; U.S. Appl. No. 29/794,152, filed Jun. 10, 2018.

iFWorldDesignGuide | Entry | Oral-B CLIC, posted on Feb. 12, 2020, © 2021—iF Design [online], [site visited Feb. 26, 2021], Available from Internet, URL: <https://ifworlddesignguide.com/entry/281978-oral-b-clic/>.

Oral-B Brush, announced 2020 [online], [site visited Jul. 24, 2020], Available from internet, URL: <https://www.amazon.com/Oral-B-Manual-Toothbrush-Replacement-Magnetic/dp/B07XZ2P6M6> (Year: 2020).

Walmart | Philips Sonicare Sensitive Replacement Toothbrush Heads, posted on Apr. 30, 2019, © 2020 Walmart [online], [site visited Nov. 5, 2020], Available from Internet, URL: <https://www.walmart.com/ip/Philips-Sonicare-Sensitive-replacement-toothbrush-heads-for-sensitive-teeth-HX6053-64-3-PK/21264305/>.

U.S. Appl. No. 29/746,709, filed Aug. 17, 2020, Christine Hallein et al.

U.S. Appl. No. 29/659,068, filed Aug. 6, 2020, Christine Hallein et al.

U.S. Appl. No. 29/787,707, filed Jun. 8, 2021, Uwe Jungnickel et al.

U.S. Appl. No. 29/746,718, filed Aug. 17, 2020, Dominik Langhammer.

U.S. Appl. No. 29/757,499, filed Nov. 6, 2020, Christine Hallein et al.

U.S. Appl. No. 29/752,912, filed Sep. 29, 2020, Uwe Jungnickel et al.

U.S. Appl. No. 29/762,793, filed Dec. 18, 2020, Uwe Jungnickel et al.

U.S. Appl. No. 29/787,712, filed Jun. 8, 2021, Uwe Jungnickel et al.

U.S. Appl. No. 29/699,695, filed Jul. 29, 2019, Niclas Altmann et al.

U.S. Appl. No. 29/743,560, filed Jul. 22, 2020, Devran Albay et al.

U.S. Appl. No. 29/758,268, filed Nov. 13, 2020, Devran Albay et al.

U.S. Appl. No. 29/758,249, filed Nov. 13, 2020, Devran Albay et al.

U.S. Appl. No. 29/758,251, filed Nov. 13, 2020, Devran Albay et al.

U.S. Appl. No. 29/758,276, filed Nov. 13, 2020, Devran Albay et al.

U.S. Appl. No. 29/758,274, filed Nov. 13, 2020, Devran Albay et al.

U.S. Appl. No. 29/786,732, filed Jun. 2, 2021, Devran Albay et al.

U.S. Appl. No. 29/786,746, filed Jun. 2, 2021, Devran Albay et al.

U.S. Appl. No. 29/794,152, filed Jun. 10, 2021, Devran Albay et al.

(56)

**References Cited**

OTHER PUBLICATIONS

U.S. Appl. No. 29/782,323, filed May 6, 2021, Christine Hallein et al.

U.S. Appl. No. 29/819,318, filed Dec. 14, 2021, Devran Albay et al.

U.S. Appl. No. 29/814,060, filed Nov. 3, 2021, Christine Hallein et al.

U.S. Appl. No. 29/814,616, filed Nov. 8, 2021, Christine Hallein et al.

All Office Actions; U.S. Appl. No. 29/814,060, filed Nov. 3, 2021.

All Office Actions; U.S. Appl. No. 29/814,616, filed Nov. 8, 2021.

All Office Actions; U.S. Appl. No. 29/819,318, filed Dec. 14, 2021.

\* cited by examiner

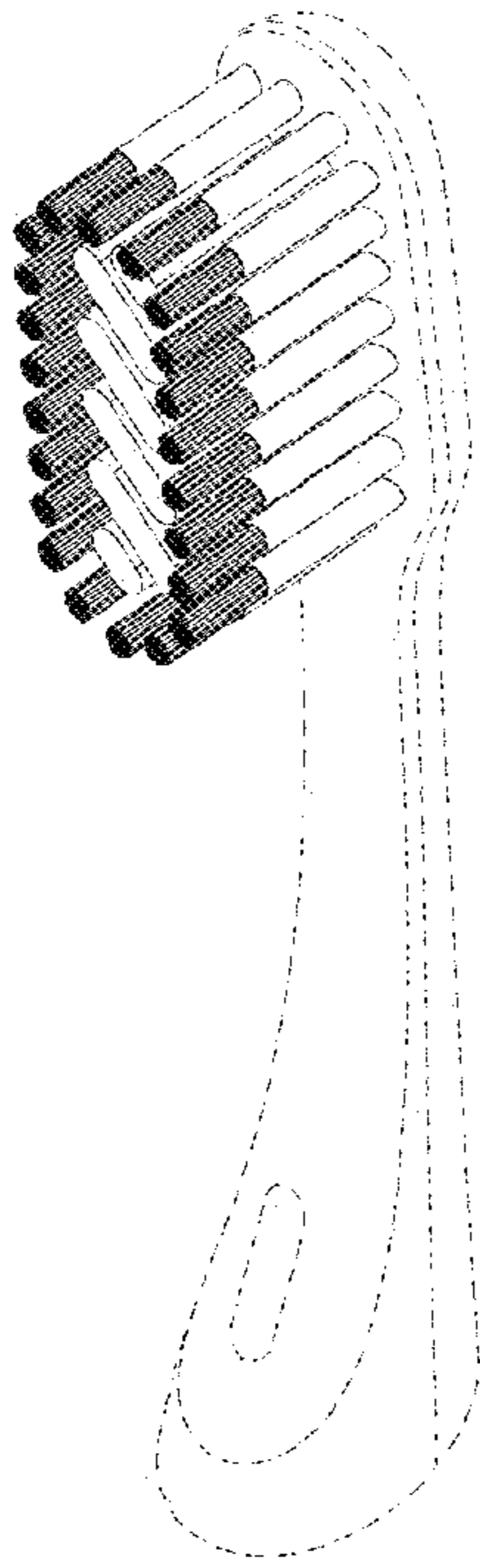


FIG. 1

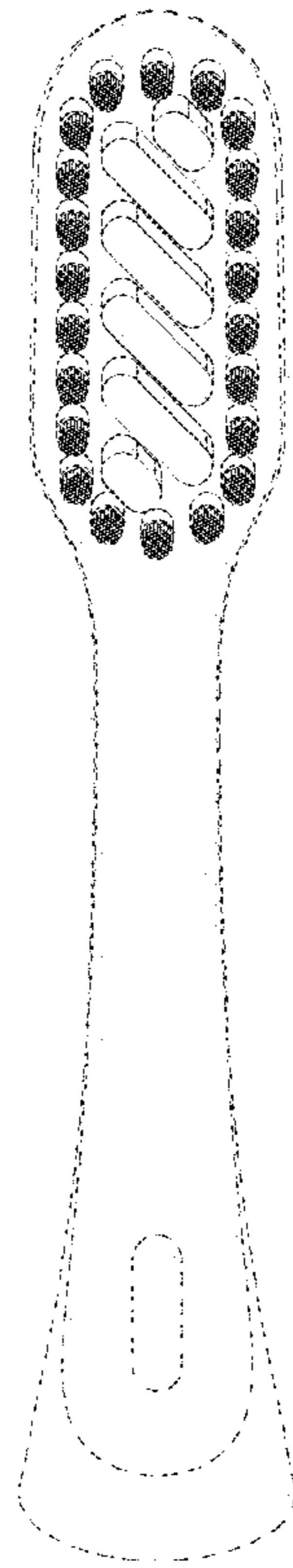


FIG. 2

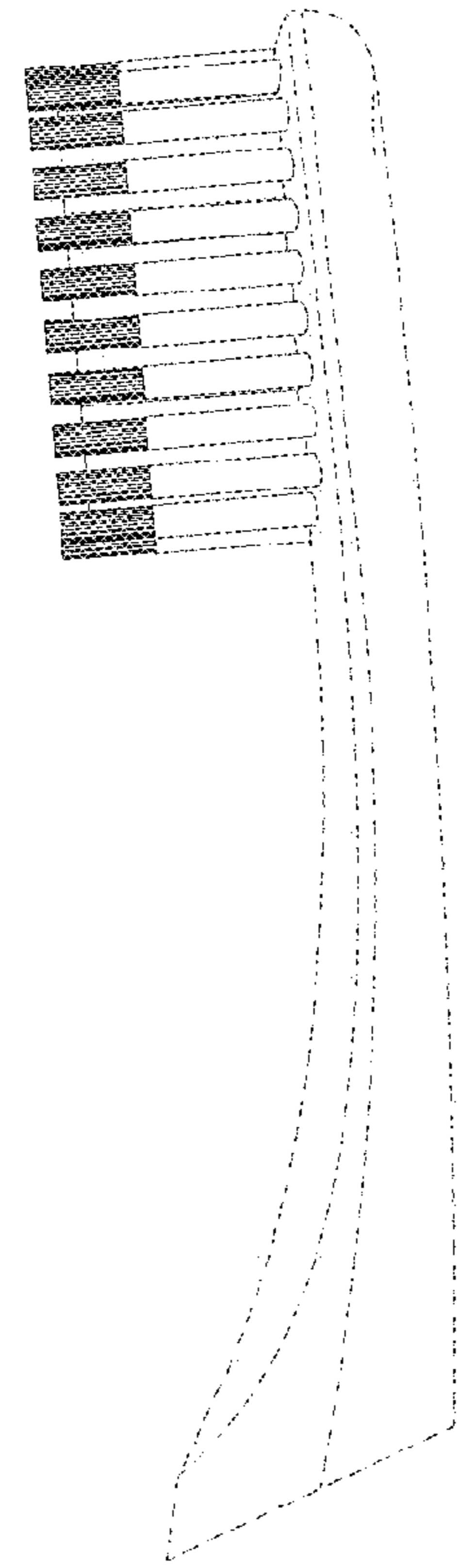


FIG. 3

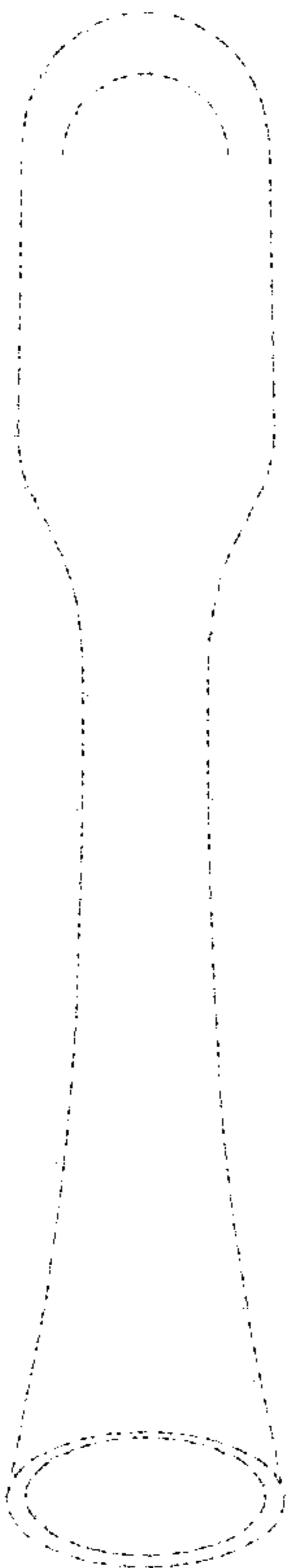


FIG. 4

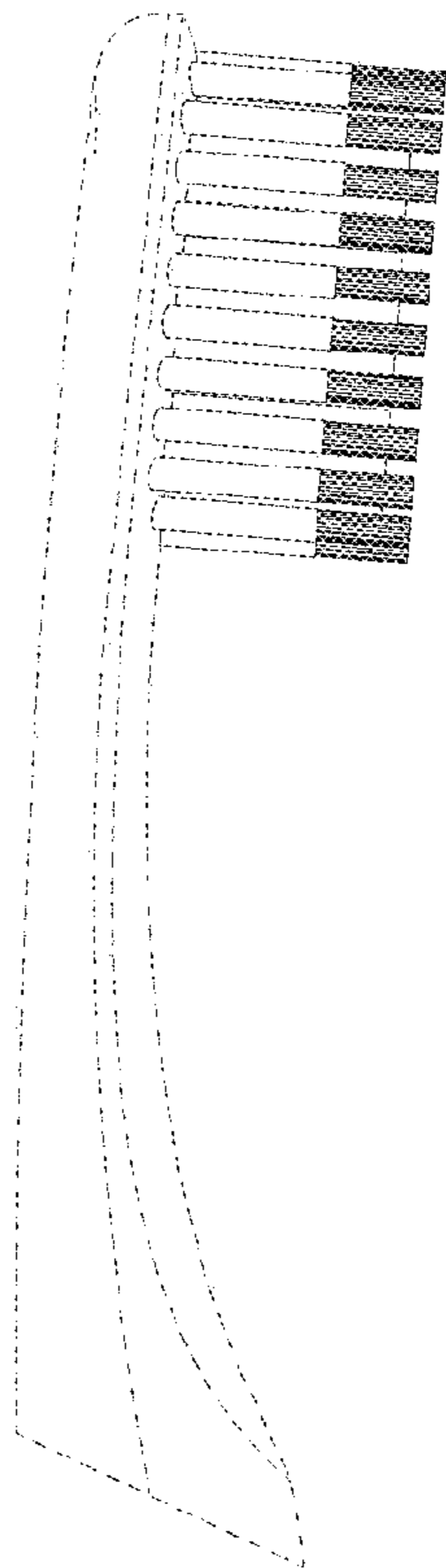


FIG. 5

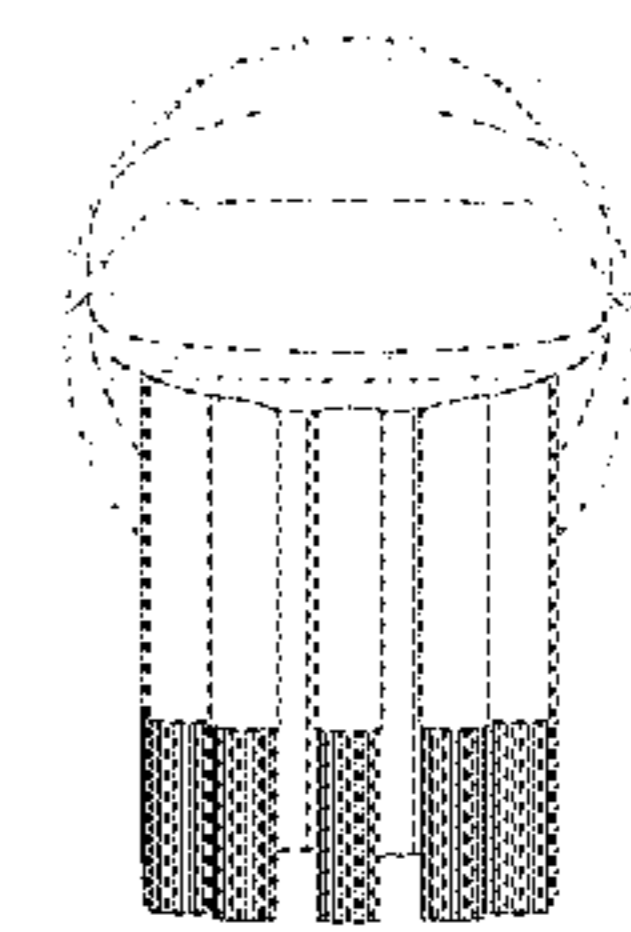


FIG. 6

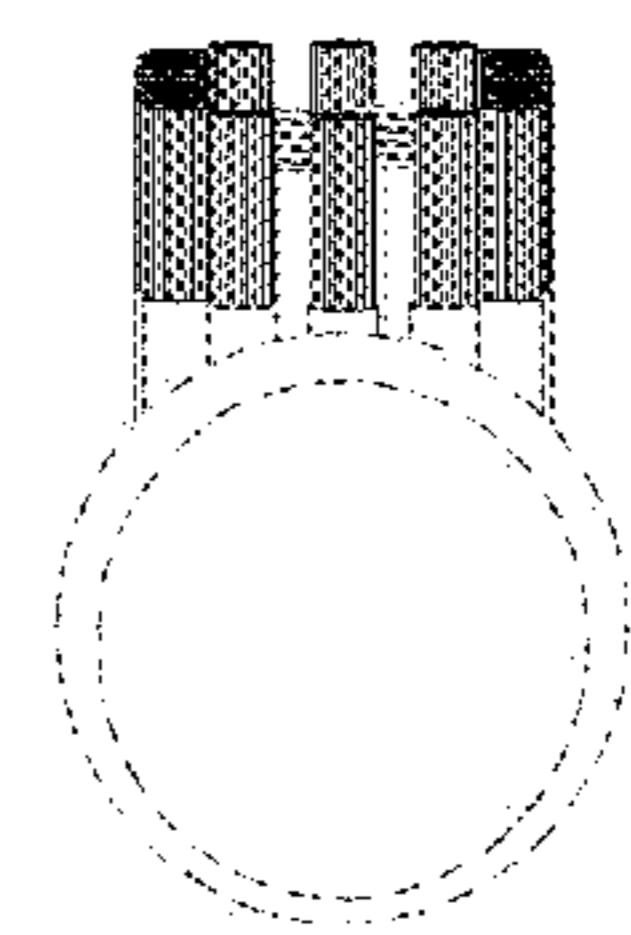


FIG. 7