



US00D957817S

(12) **United States Design Patent** (10) **Patent No.:** **US D957,817 S**  
**Schilling et al.** (45) **Date of Patent:** **\*\* Jul. 19, 2022**

(54) **PACKAGING FOR JEWELRY**  
(71) Applicant: **LXL Group Inc.**, Grand Cayman (KY)  
(72) Inventors: **Frank Schilling**, Grand Cayman (KY); **Sait Bozkurt**, Istanbul (TR); **Onur Kirtay**, Istanbul (TR)  
(73) Assignee: **LXL Group Inc.**, Grand Cayman (KY)  
(\*\*) Term: **15 Years**  
(21) Appl. No.: **29/690,531**  
(22) Filed: **May 8, 2019**  
(51) **LOC (13) Cl.** ..... **03-01**  
(52) **U.S. Cl.**  
USPC ..... **D3/294**; D3/903; D9/420  
(58) **Field of Classification Search**  
USPC ..... D3/201, 205, 203.1, 218, 242, 263,  
D3/273-276, 279-282, 284, 292, 294,  
D3/295, 296, 299, 301, 302, 318, 321,  
D3/905, 901, 903, 271.4; D9/423, 420,  
D9/430, 432; D28/76, 77, 78, 81, 83, 91;  
206/6.1  
CPC ..... A45C 5/00; A45C 5/005; A45C 2005/032;  
A45C 2005/035; A45C 2005/307; A45C  
11/00; A45C 13/002; A45C 11/16; A47F  
7/03  
See application file for complete search history.

(56) **References Cited**  
U.S. PATENT DOCUMENTS  
D9,689 S \* 1/1877 Morgan ..... D3/294  
D45,251 S \* 2/1914 Chodorkow et al. .... D3/323  
(Continued)

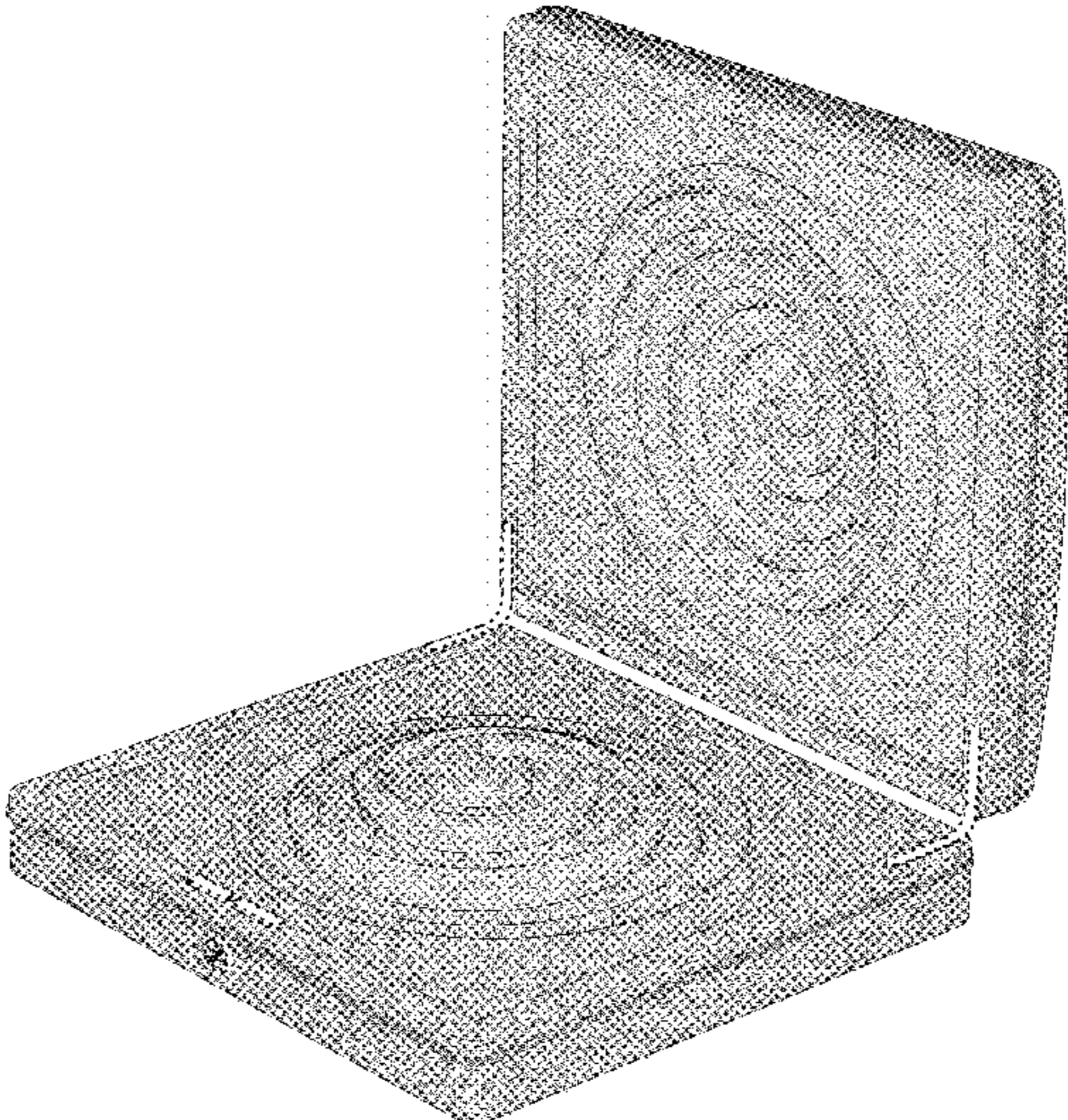
OTHER PUBLICATIONS  
US trademark application No. 88160099 filed Oct. 18, 2018.  
*Primary Examiner* — Mary Shannon Malley

(74) *Attorney, Agent, or Firm* — Oppedahl Patent Law Firm LLC

(57) **CLAIM**  
The ornamental design for packaging for jewelry, as shown and described.

**DESCRIPTION**  
FIG. 1 is a front perspective view of a first embodiment the new design for packaging for jewelry;  
FIG. 2 is a back perspective view of FIG. 1;  
FIG. 3 is a front view of FIG. 1;  
FIG. 4 is a back view of FIG. 1;  
FIG. 5 is a left side view of FIG. 1;  
FIG. 6 is a right side view of FIG. 1;  
FIG. 7 is a top view of FIG. 1;  
FIG. 8 is a bottom view of FIG. 1;  
FIG. 9 is a front perspective view thereof, showing the design in its environment;  
FIG. 10 is the front perspective view thereof, identifying the region for the enlarged view in FIG. 11;  
FIG. 11 is an enlarged view of the area indicated in FIG. 10;  
FIG. 12 is a front perspective view of the first embodiment shown in a closed position;  
FIG. 13 is a rear perspective view thereof;  
FIG. 14 is a back view of a second embodiment of the new design for packaging for jewelry;  
FIG. 15 is a bottom view thereof;  
FIG. 16 is a front perspective view thereof, identifying the region for enlarged view 17; and,  
FIG. 17 is an enlarged view of the region indicated in FIG. 16.  
The broken line circles in FIGS. 11 and 17 illustrate the bounds of the enlargements taken from FIGS. 10 and 16 respectively, and form no part of the claimed design. The broken lines illustrating a piece of jewelry in FIG. 9 depict environmental subject matter that does not form part of the claimed design. The remaining broken lines depict portions of the packaging for jewelry that do not form part of the claimed design.

**1 Claim, 17 Drawing Sheets**







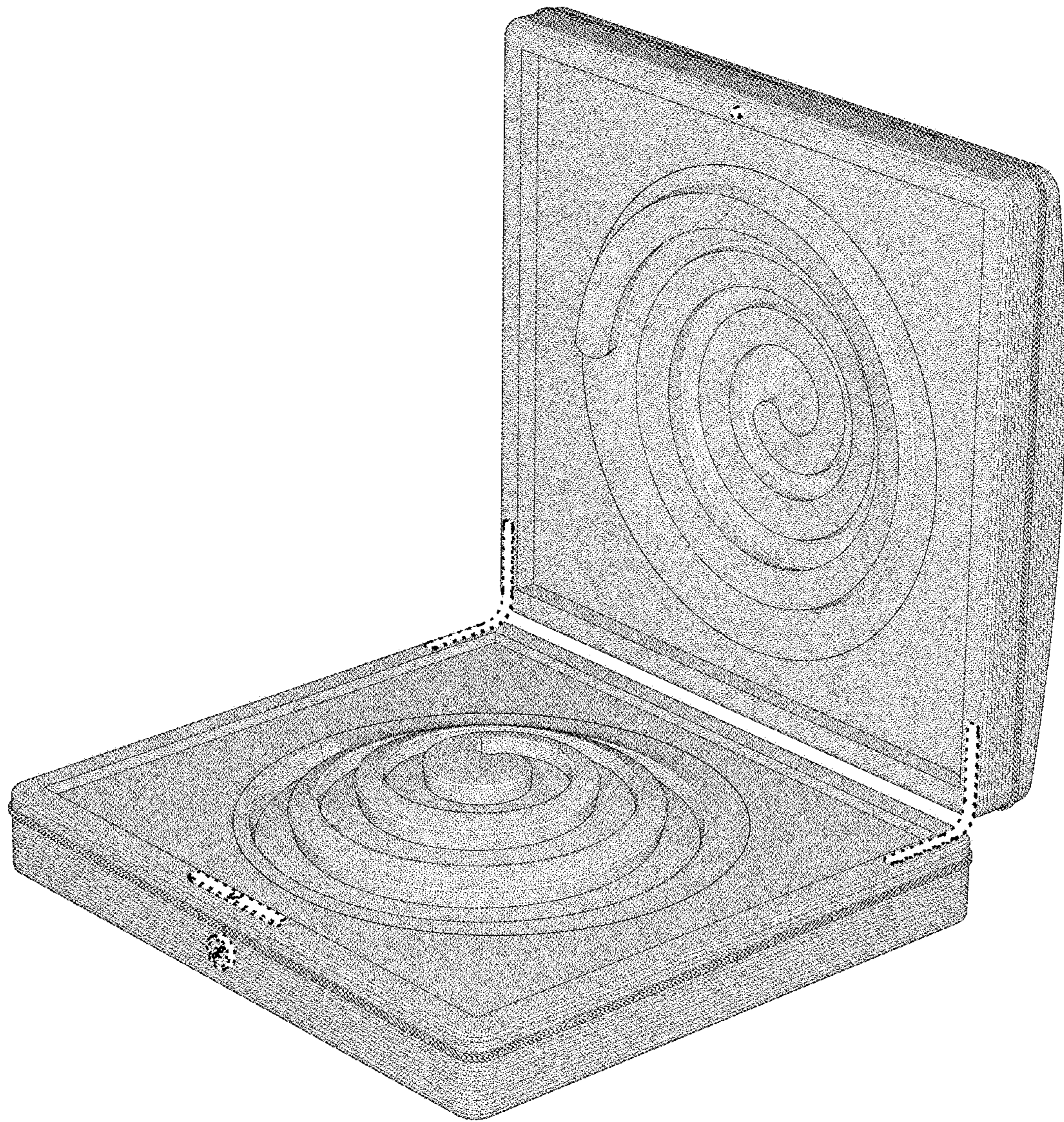


FIG. 1



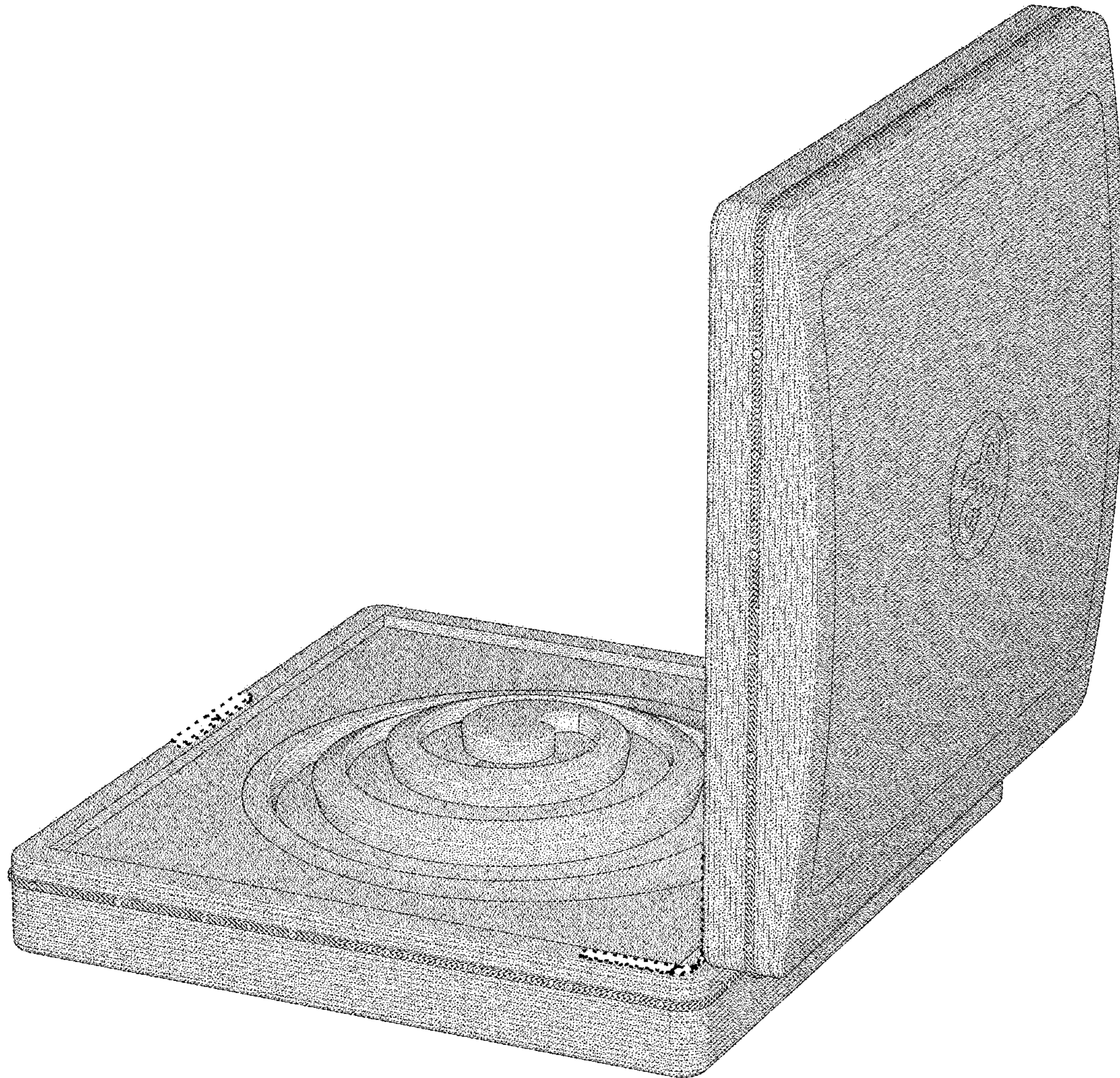


FIG. 2



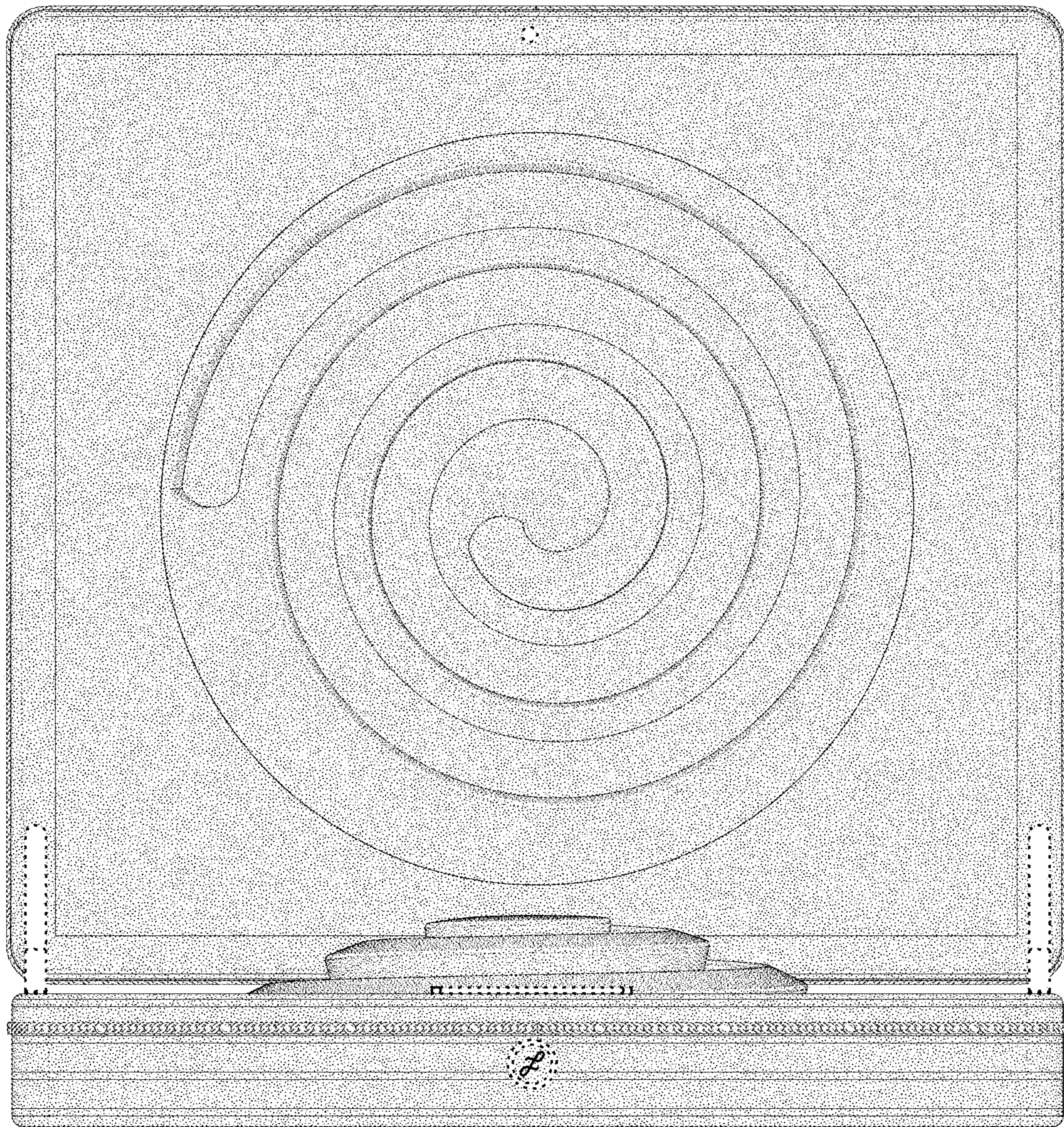


FIG. 3



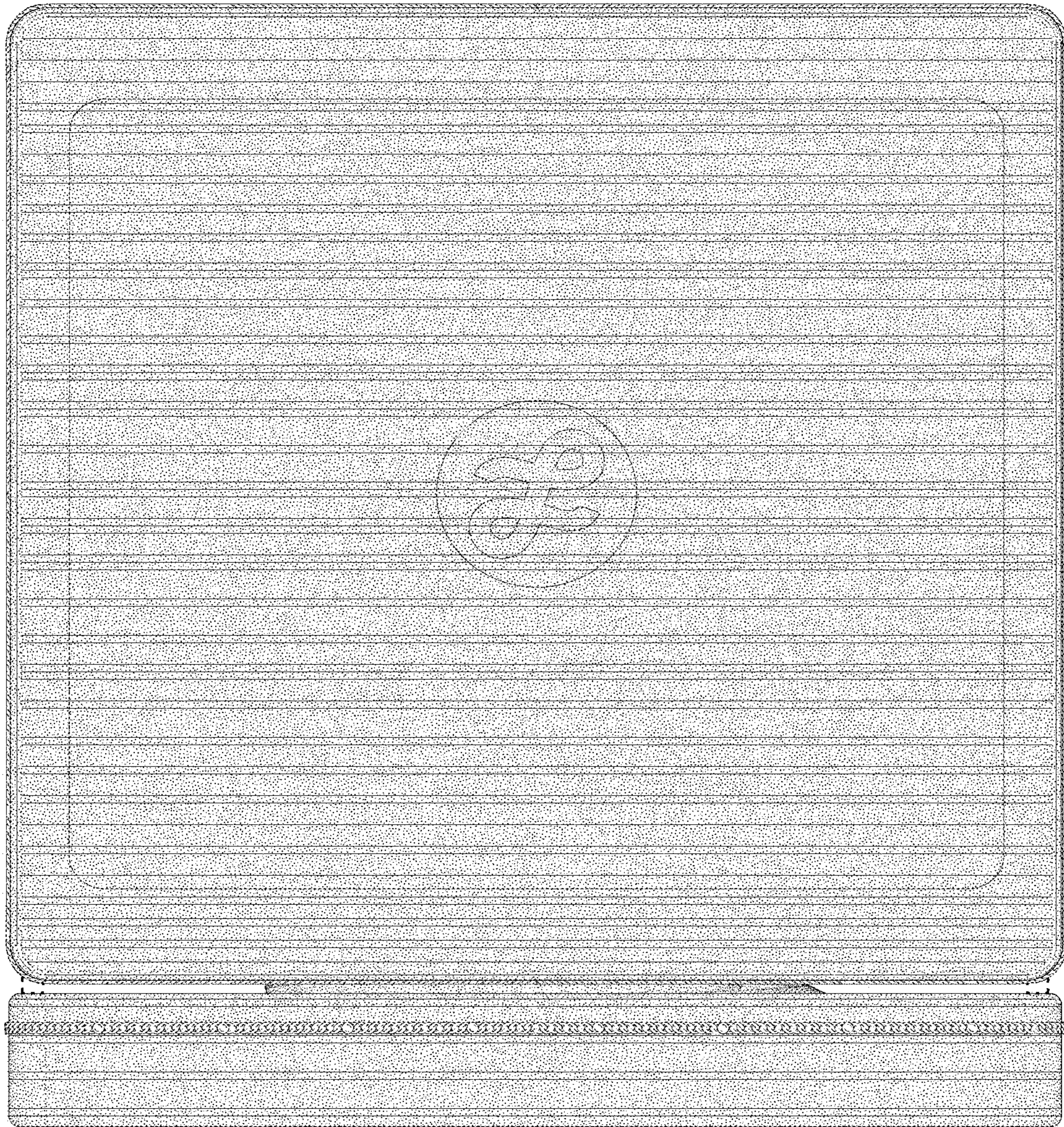


FIG. 4



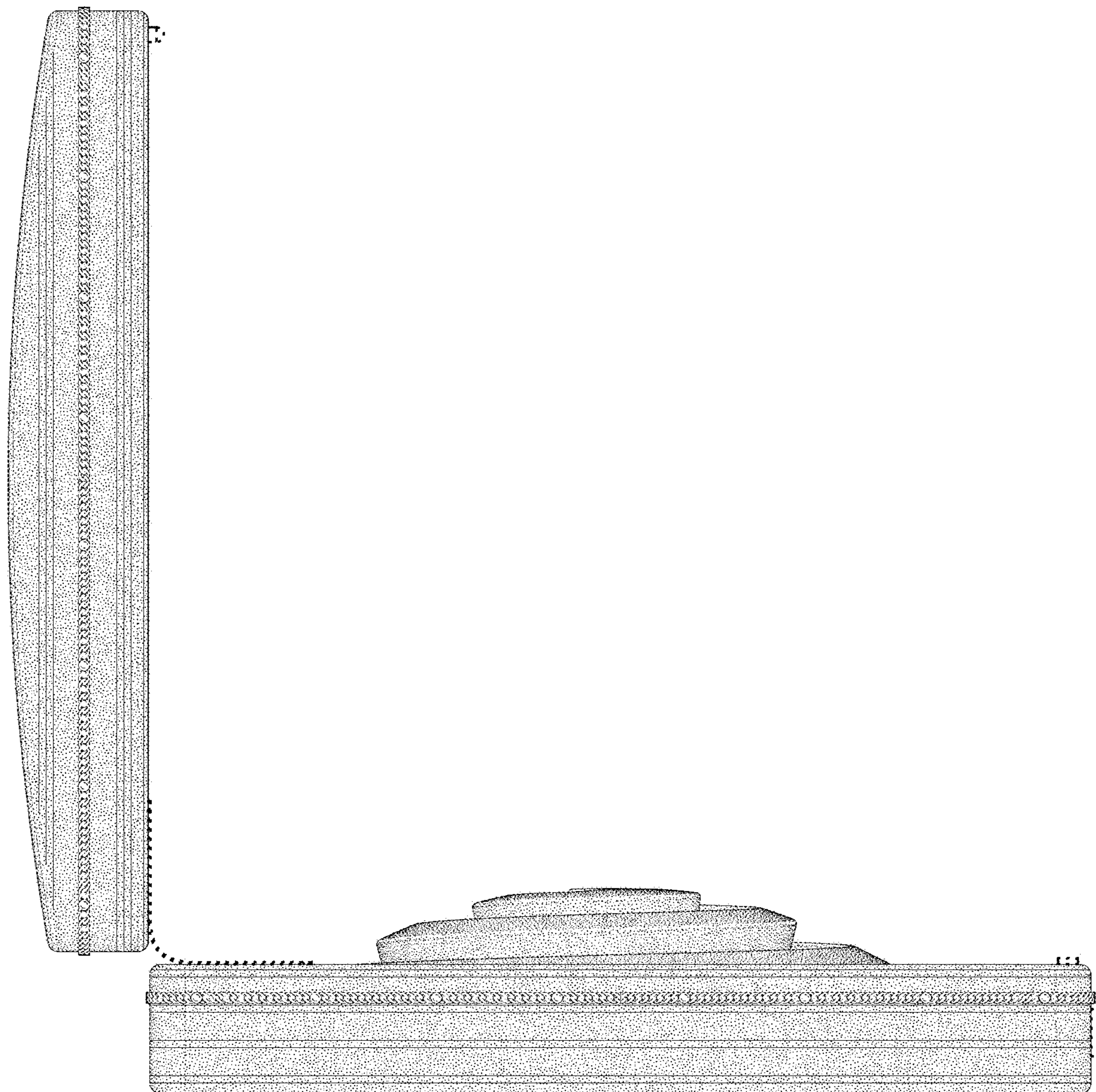


FIG. 5

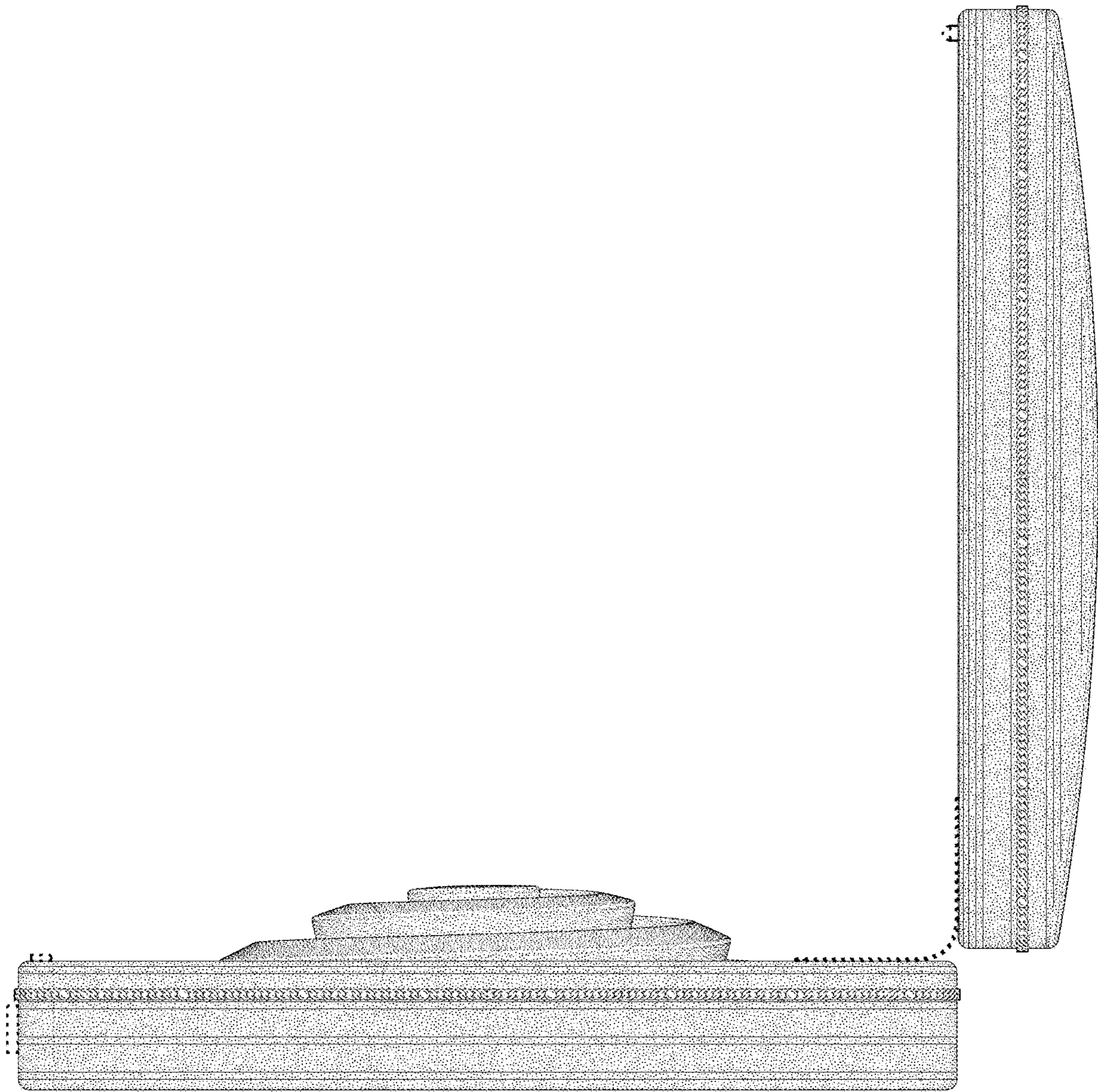


FIG. 6



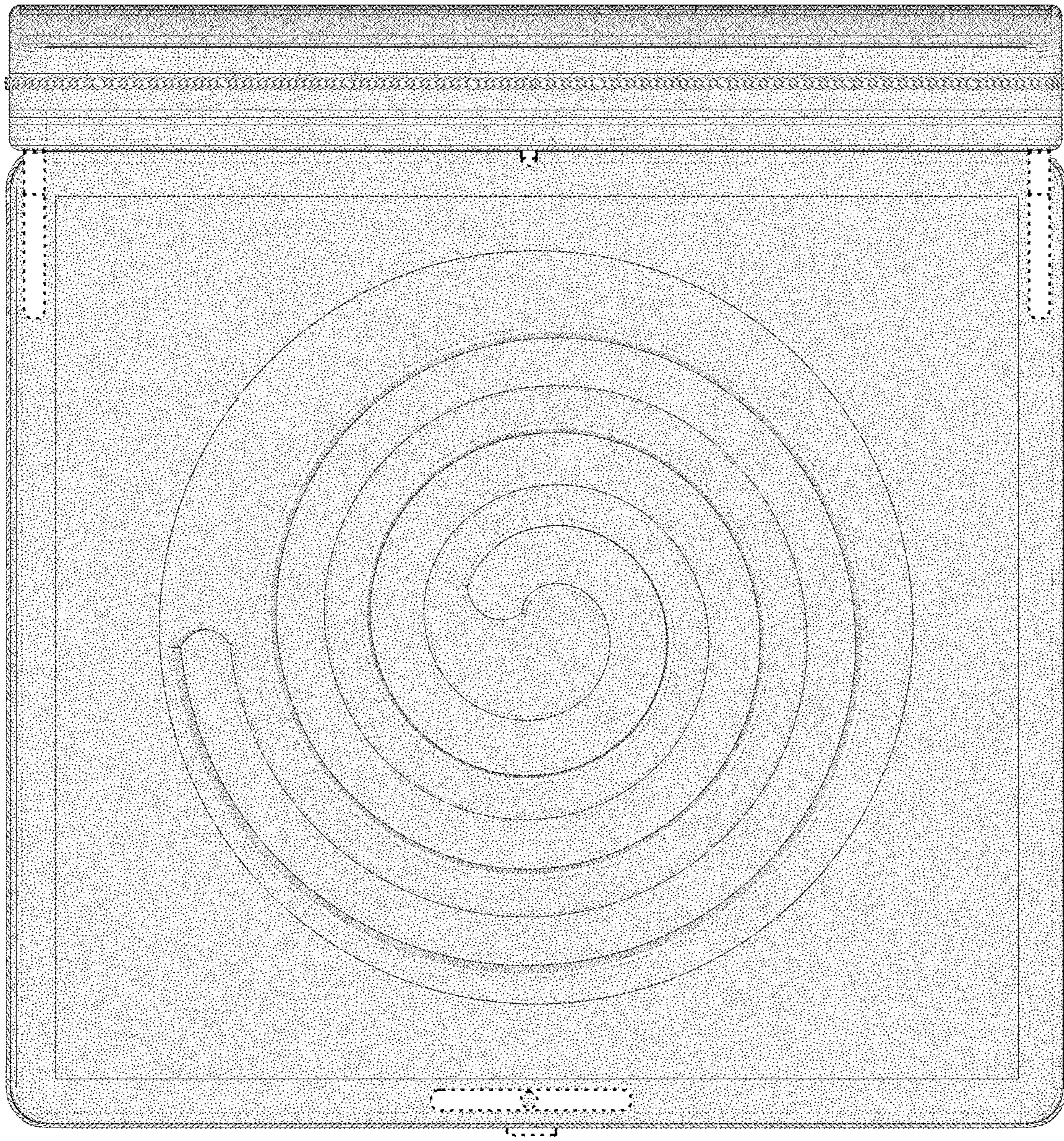


FIG. 7



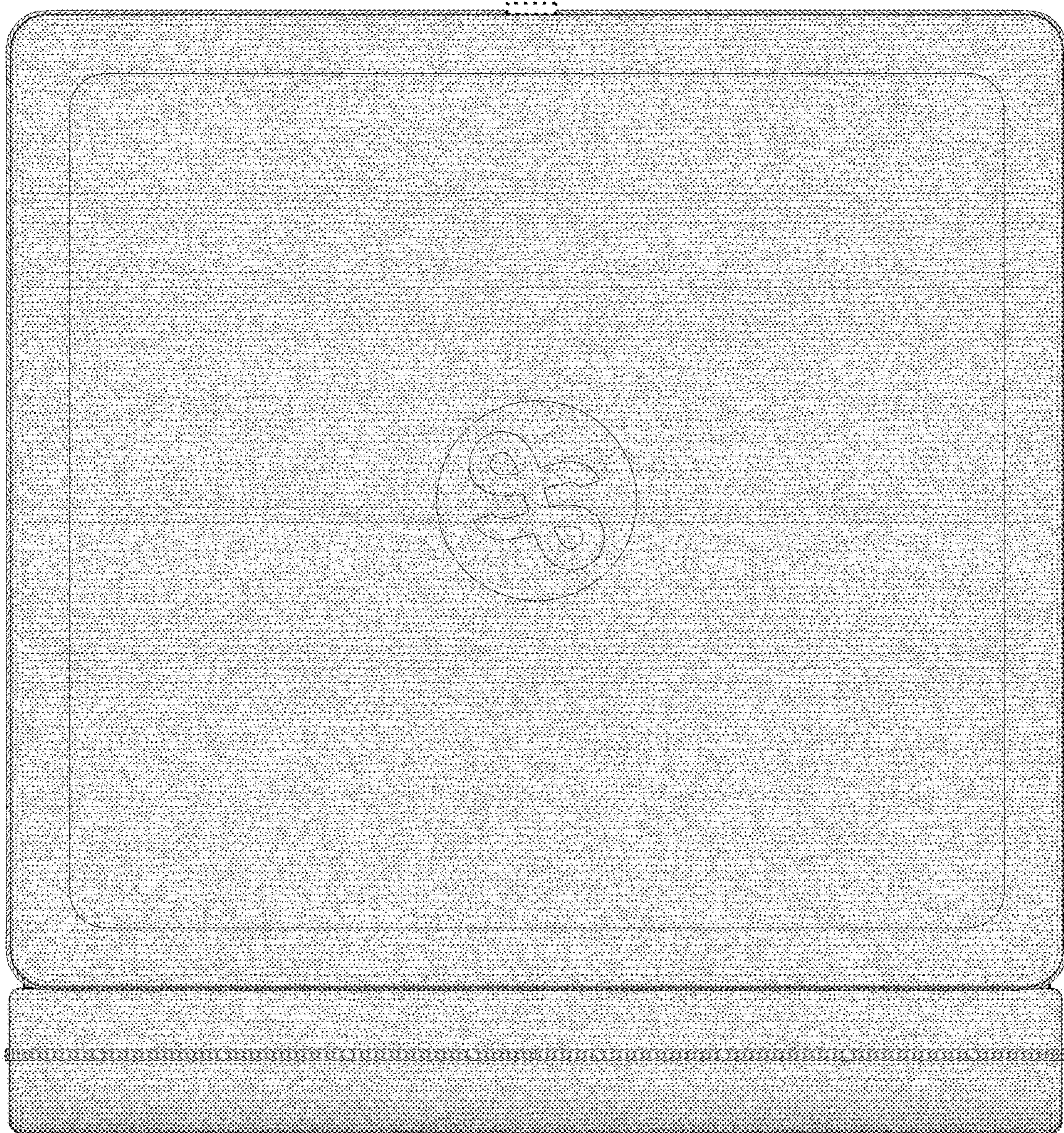


FIG. 8



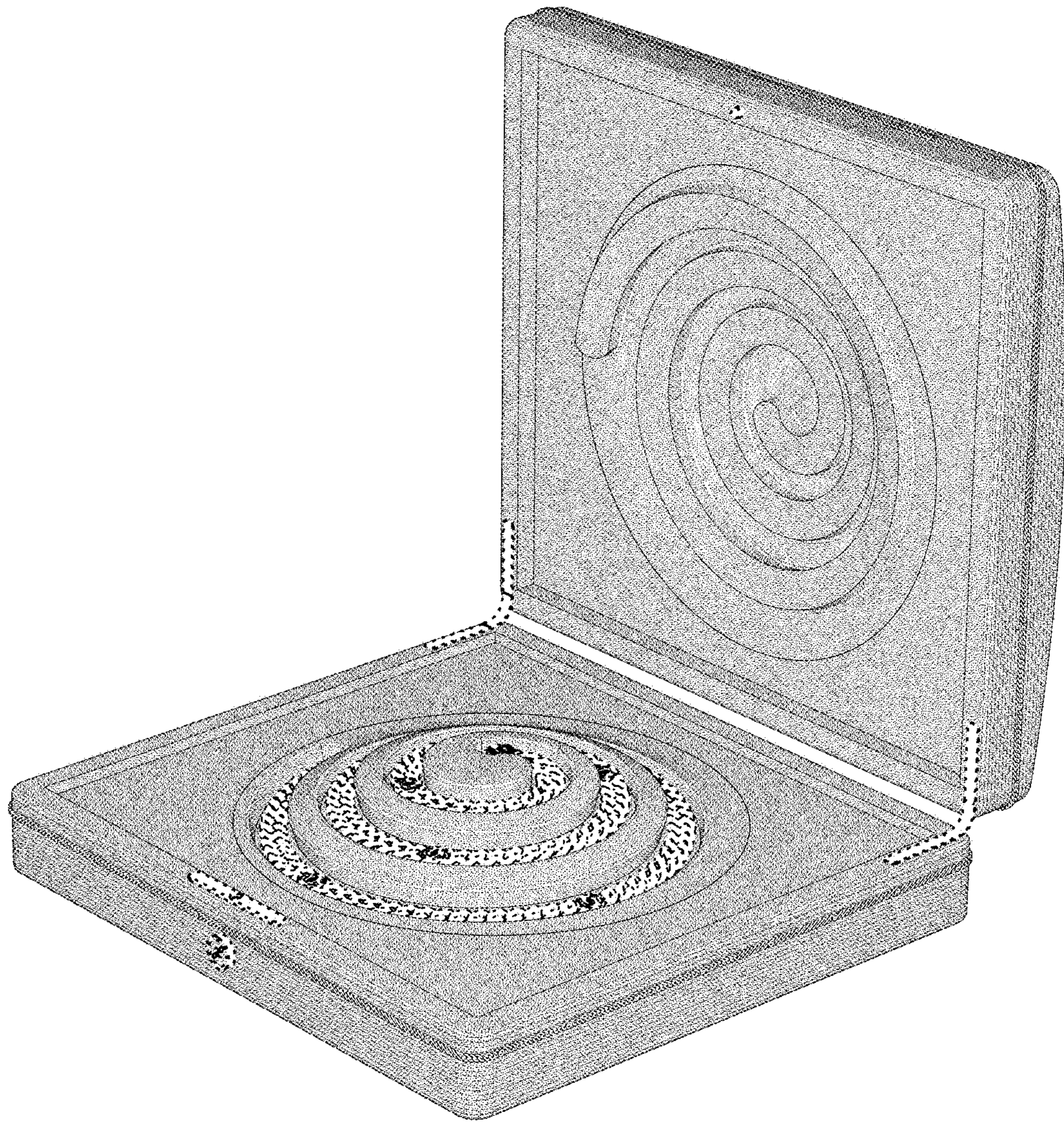


FIG. 9



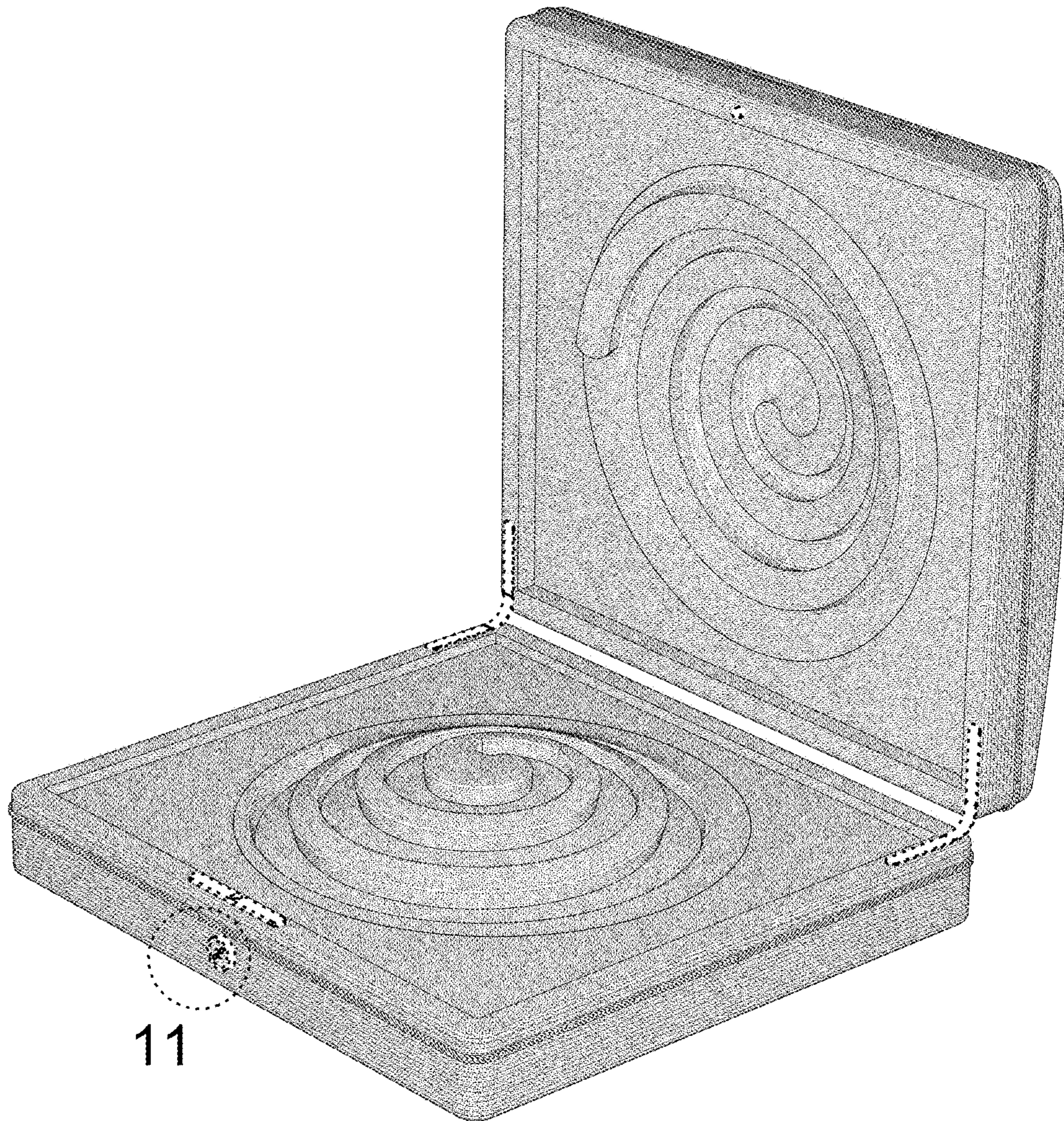


FIG. 10



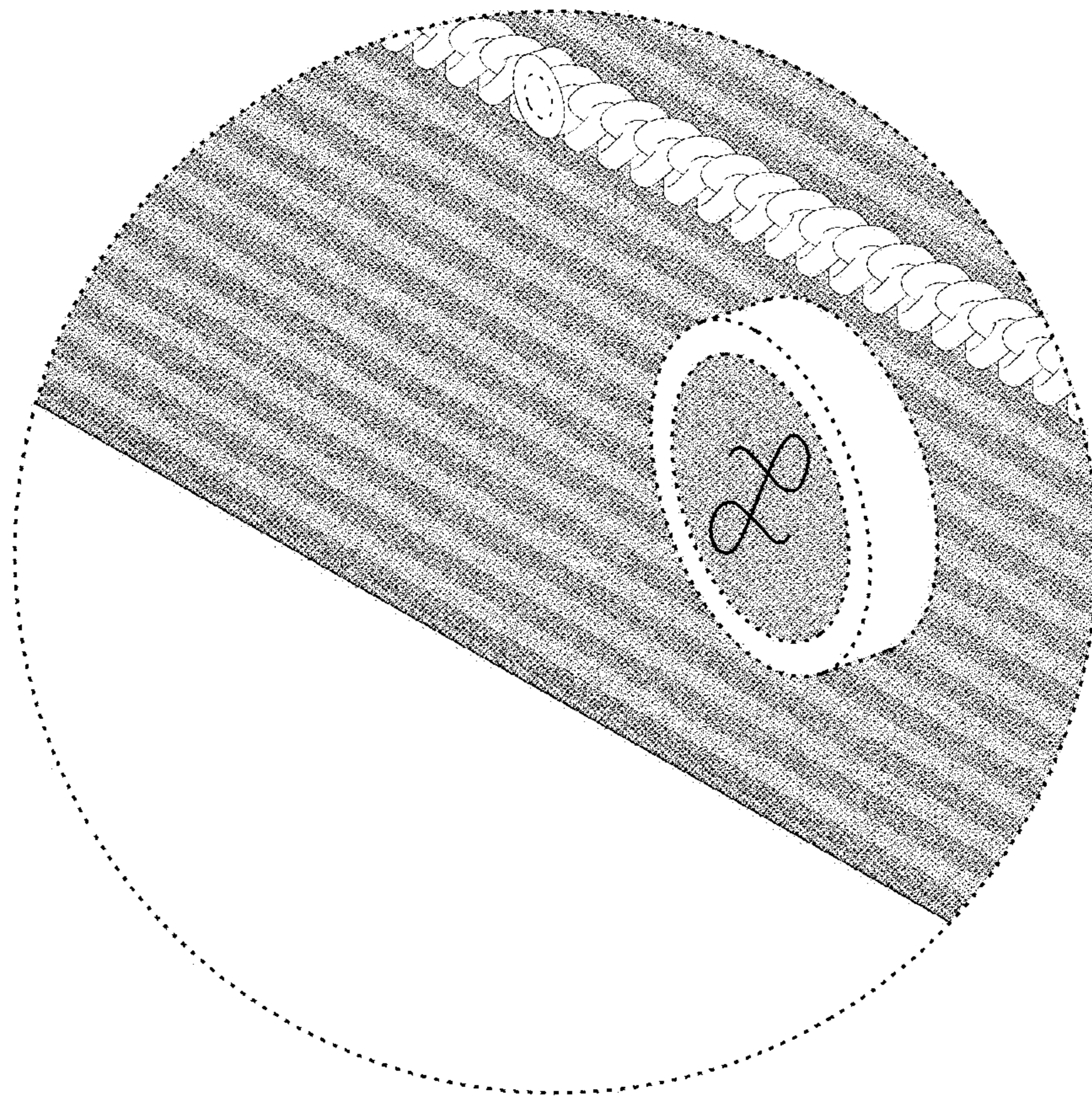


FIG. 11





FIG. 12



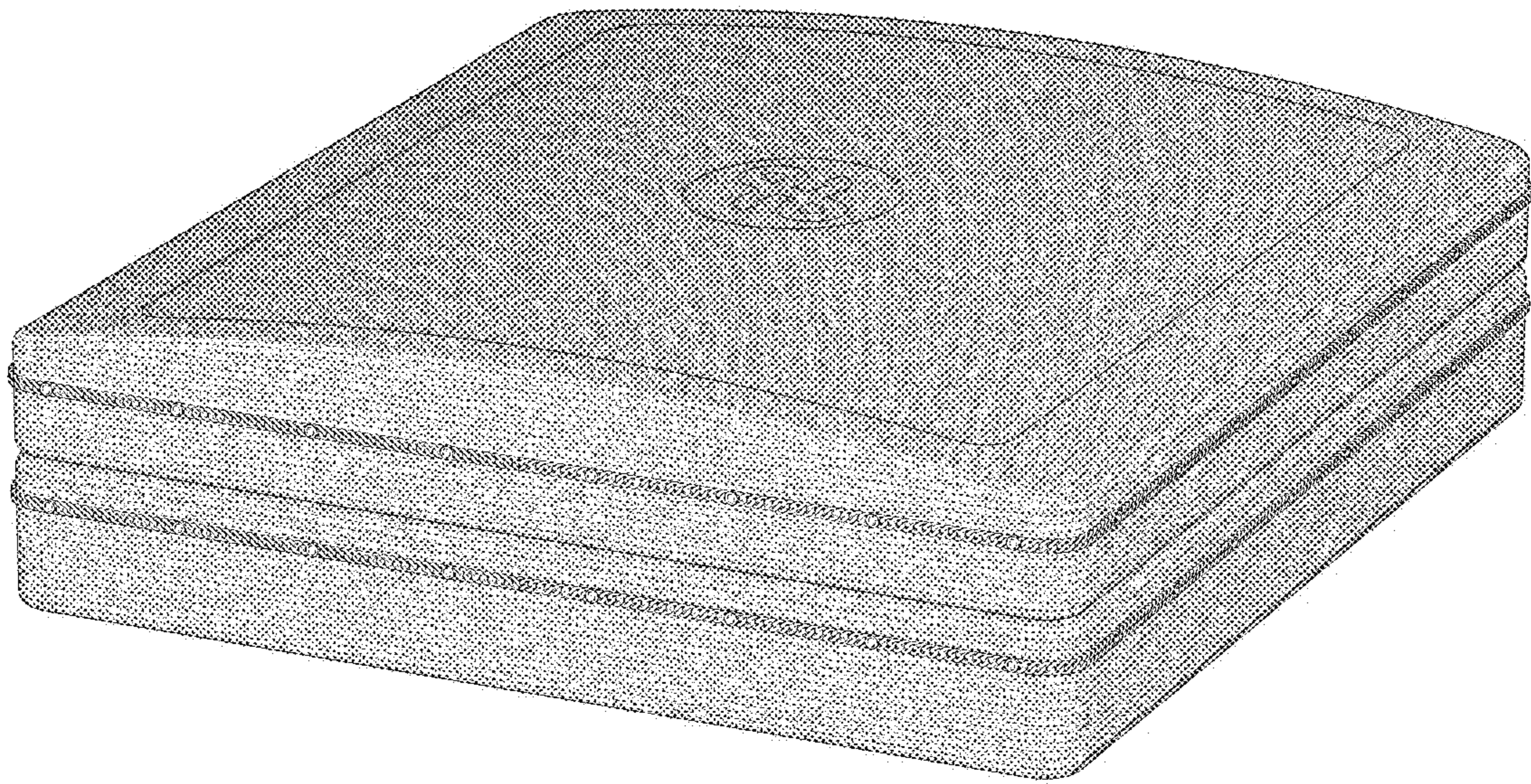


FIG. 13



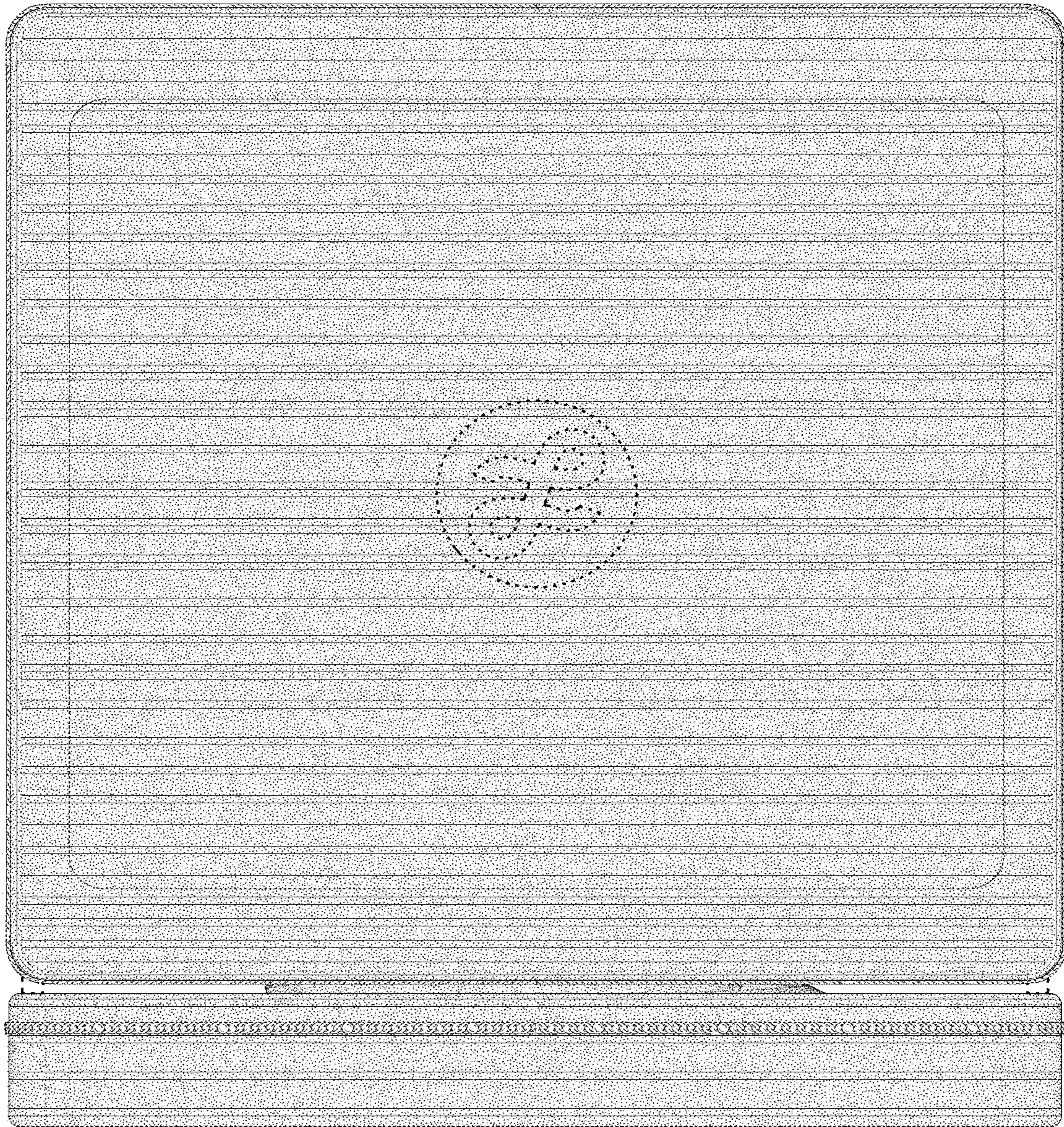


FIG. 14





FIG. 15



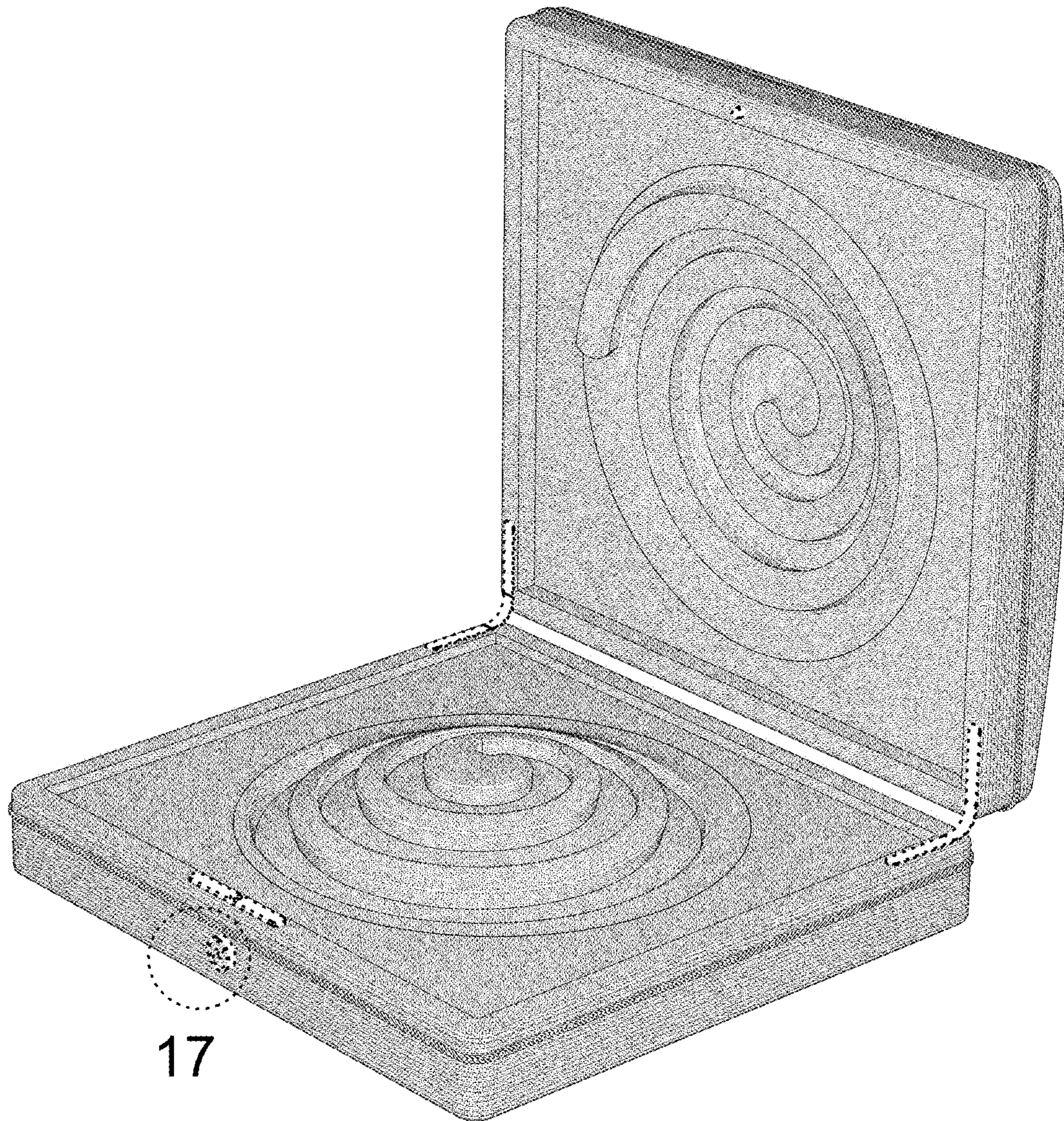


FIG. 16



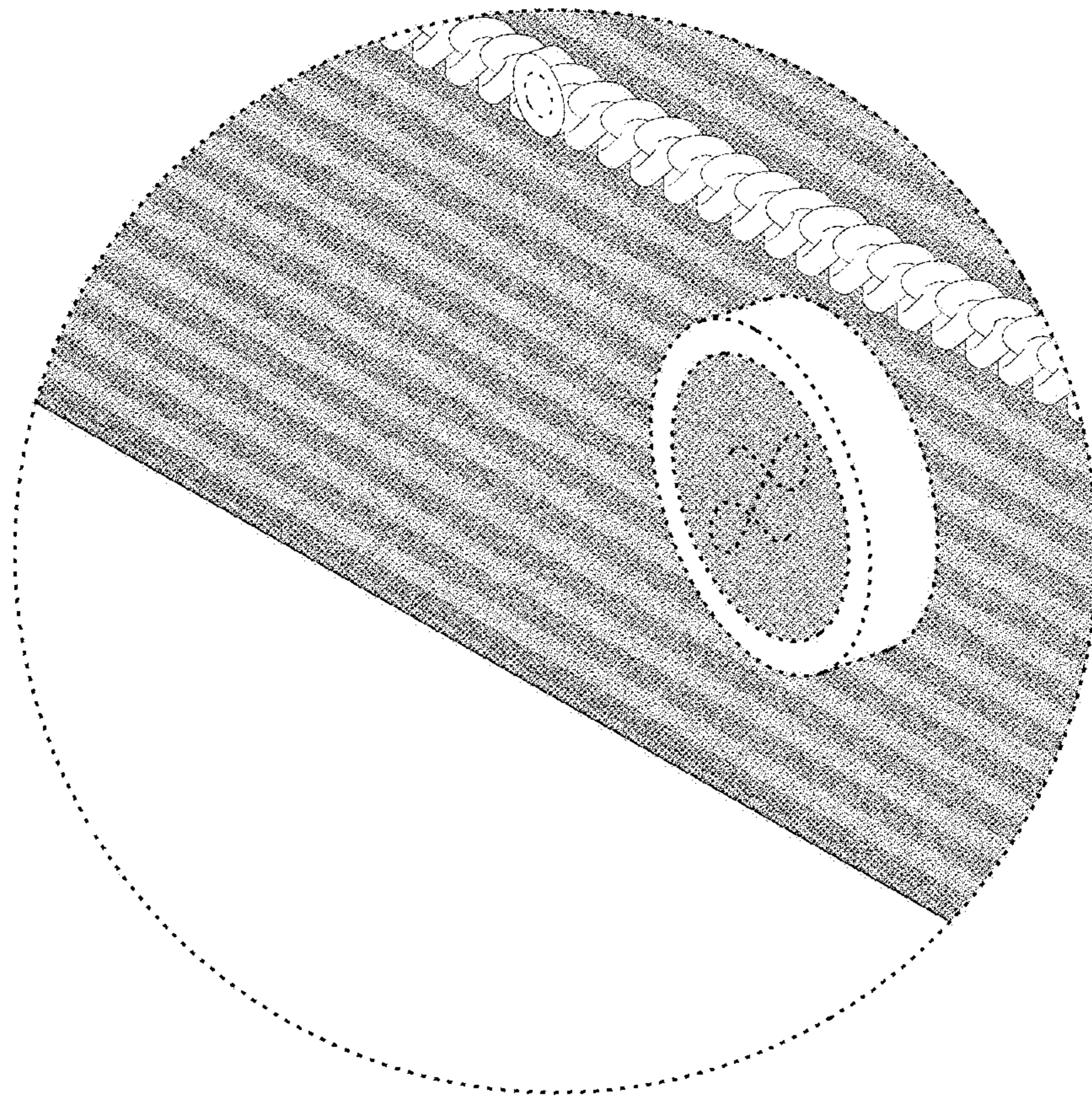


FIG. 17